



US00D439532S

(12) **United States Design Patent**
Off et al.

(10) **Patent No.:** **US D439,532 S**

(45) **Date of Patent:** **** Mar. 27, 2001**

(54) **SPA CHEMISTRY MONITOR**

(75) Inventors: **Robert A. Off**, Escondido; **Soudy Khan**, Palo Alto, both of CA (US)

(73) Assignee: **Polaris Pool Systems, Inc.**, Vista, CA (US)

(**) Term: **14 Years**

(21) Appl. No.: **29/121,179**

(22) Filed: **Mar. 31, 2000**

(51) **LOC (7) Cl.** **10-04**

(52) **U.S. Cl.** **D10/81**

(58) **Field of Search** D10/81; 210/85-95,
210/96.1, 96.2; D23/207, 208, 229, 230;
239/394, 462; 392/501, 497-499; 126/367;
422/125; 261/DIG. 65

(56) **References Cited**

U.S. PATENT DOCUMENTS

D. 386,244	*	11/1997	Caroen et al.	D23/229
3,202,322		8/1965	Cleary et al.	.	
5,169,236		12/1992	Iest	.	
5,933,575		8/1999	Sanders	.	
6,096,197	*	8/2000	Hughes	210/94

* cited by examiner

Primary Examiner—Antoine Duval Davis

(74) *Attorney, Agent, or Firm*—Kelly Bauersfeld Lowry & Kelley, LLP

(57) **CLAIM**

The ornamental design for a SPA chemistry monitor, as shown.

DESCRIPTION

FIG. 1 is a perspective view showing the front, top and right sides of a SPA chemistry monitor embodying the new design;

FIG. 2 is a front elevation view thereof;

FIG. 3 is a right side elevation view thereof;

FIG. 4 is a left side elevation view thereof;

FIG. 5 is a rear elevation view thereof;

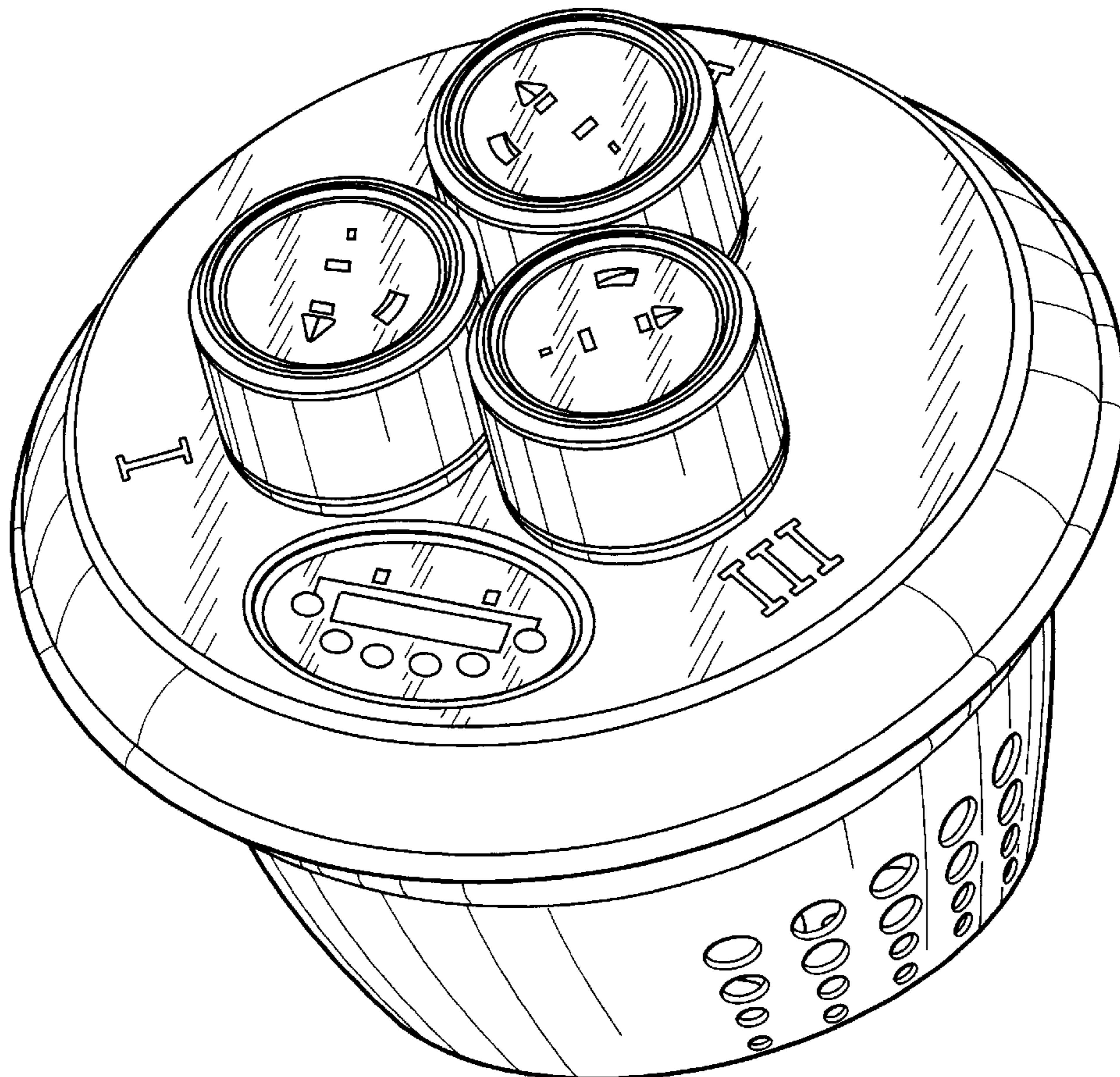
FIG. 6 is a top plan view thereof;

FIG. 7 is an elevation view taken generally on the line 7—7 of FIG. 6;

FIG. 8 is an elevation view taken generally on the line 8—8 of FIG. 6; and,

FIG. 9 is a bottom plan view thereof.

1 Claim, 9 Drawing Sheets



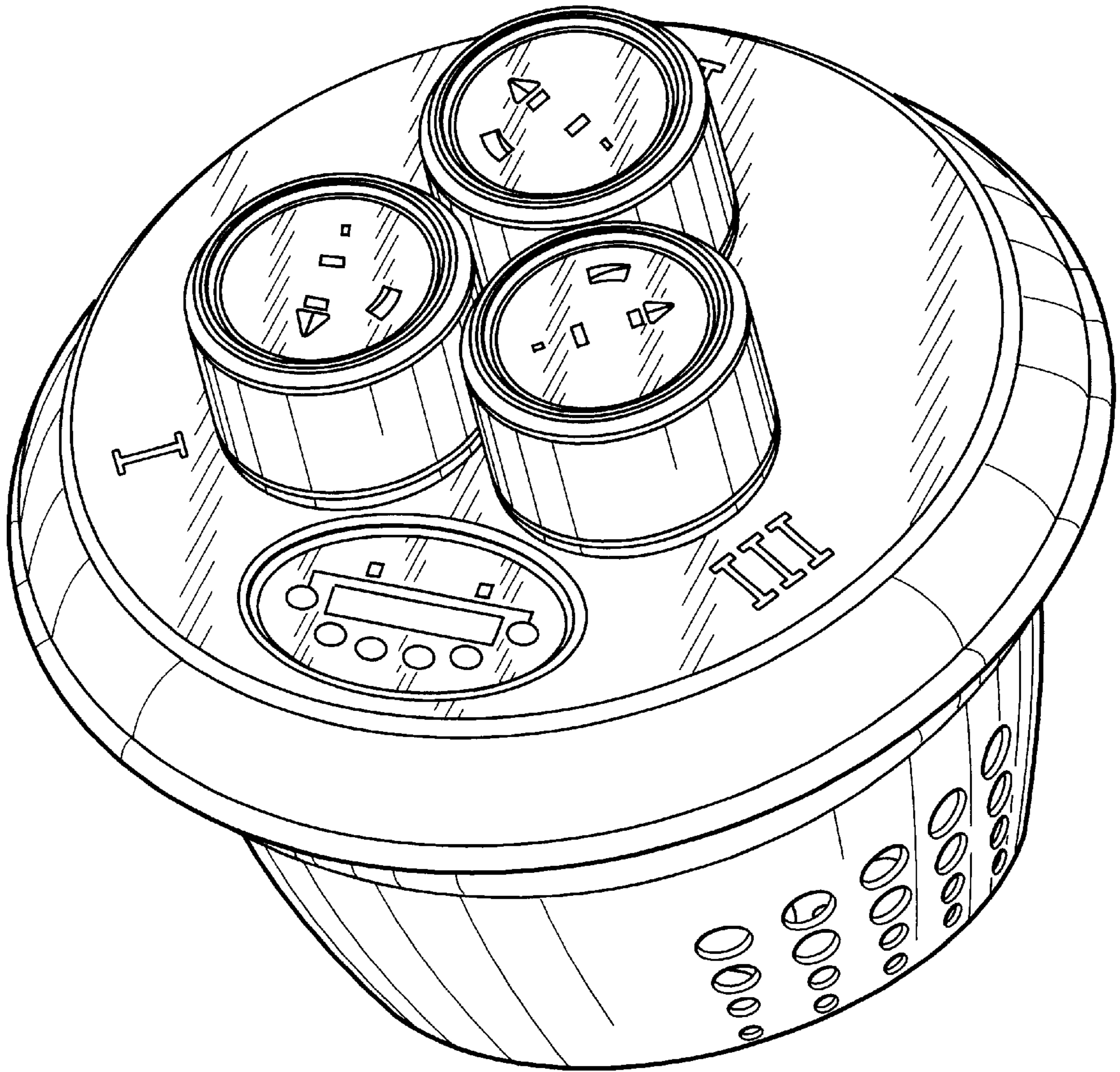


FIG. 1

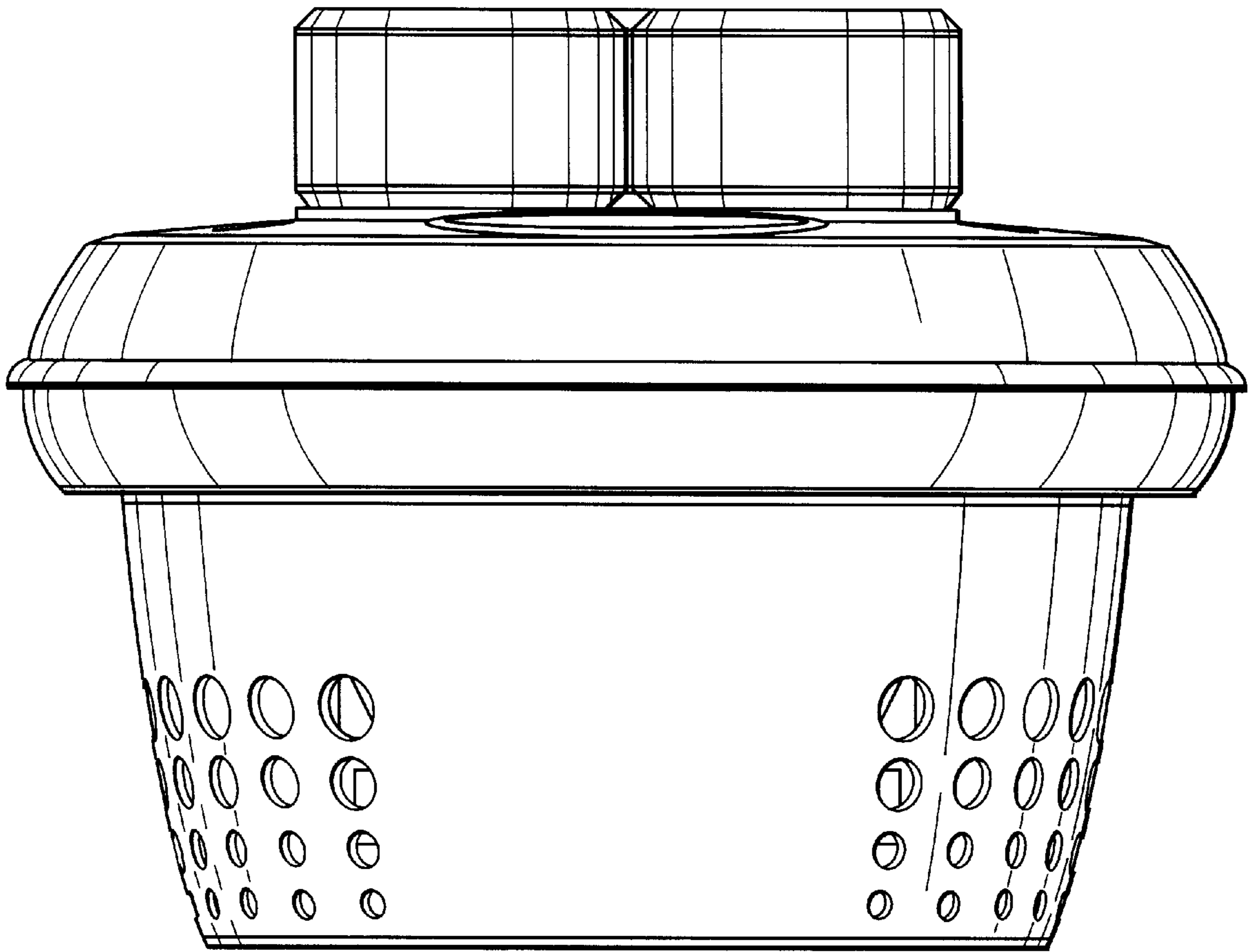


FIG. 2

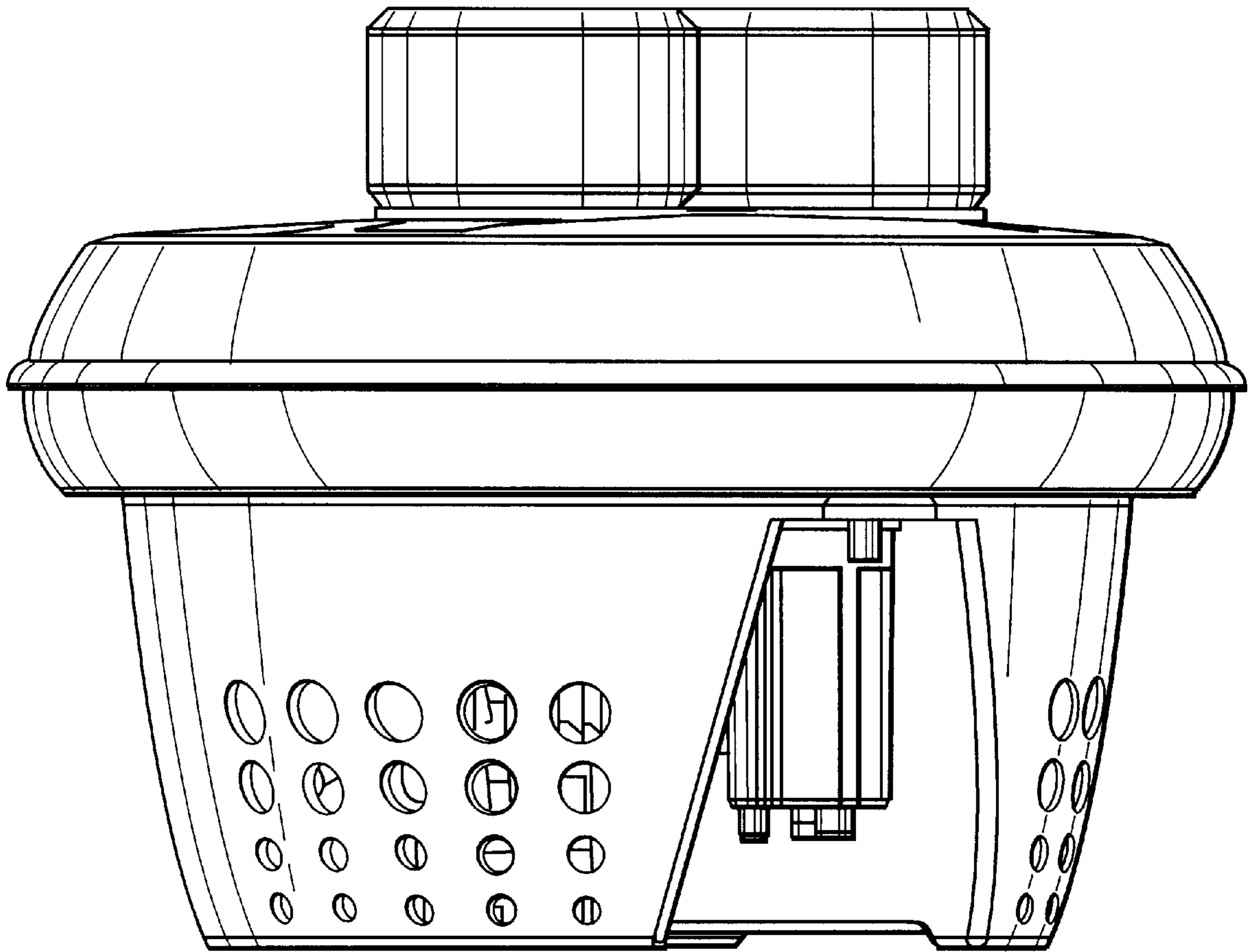


FIG. 3

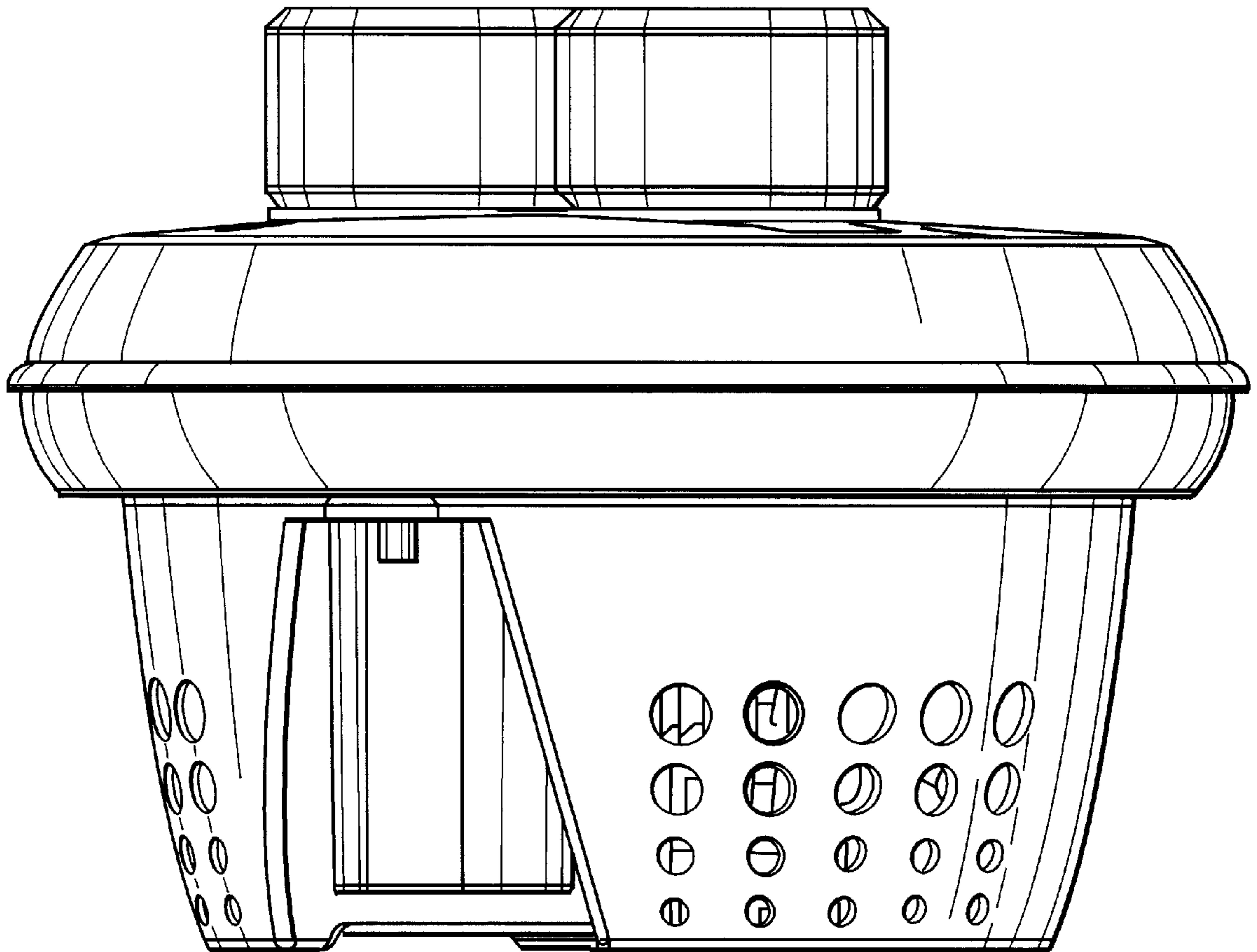


FIG. 4

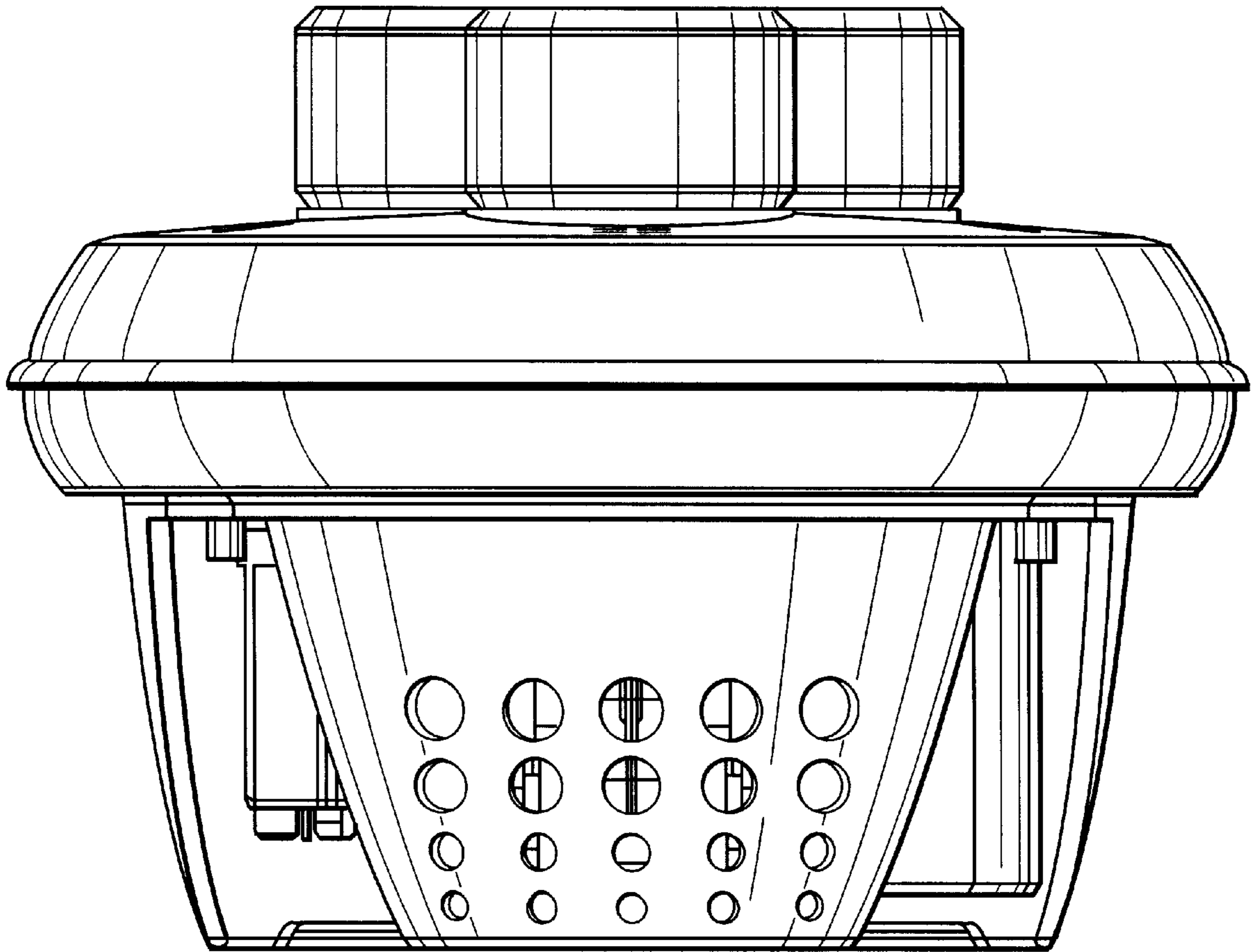


FIG. 5

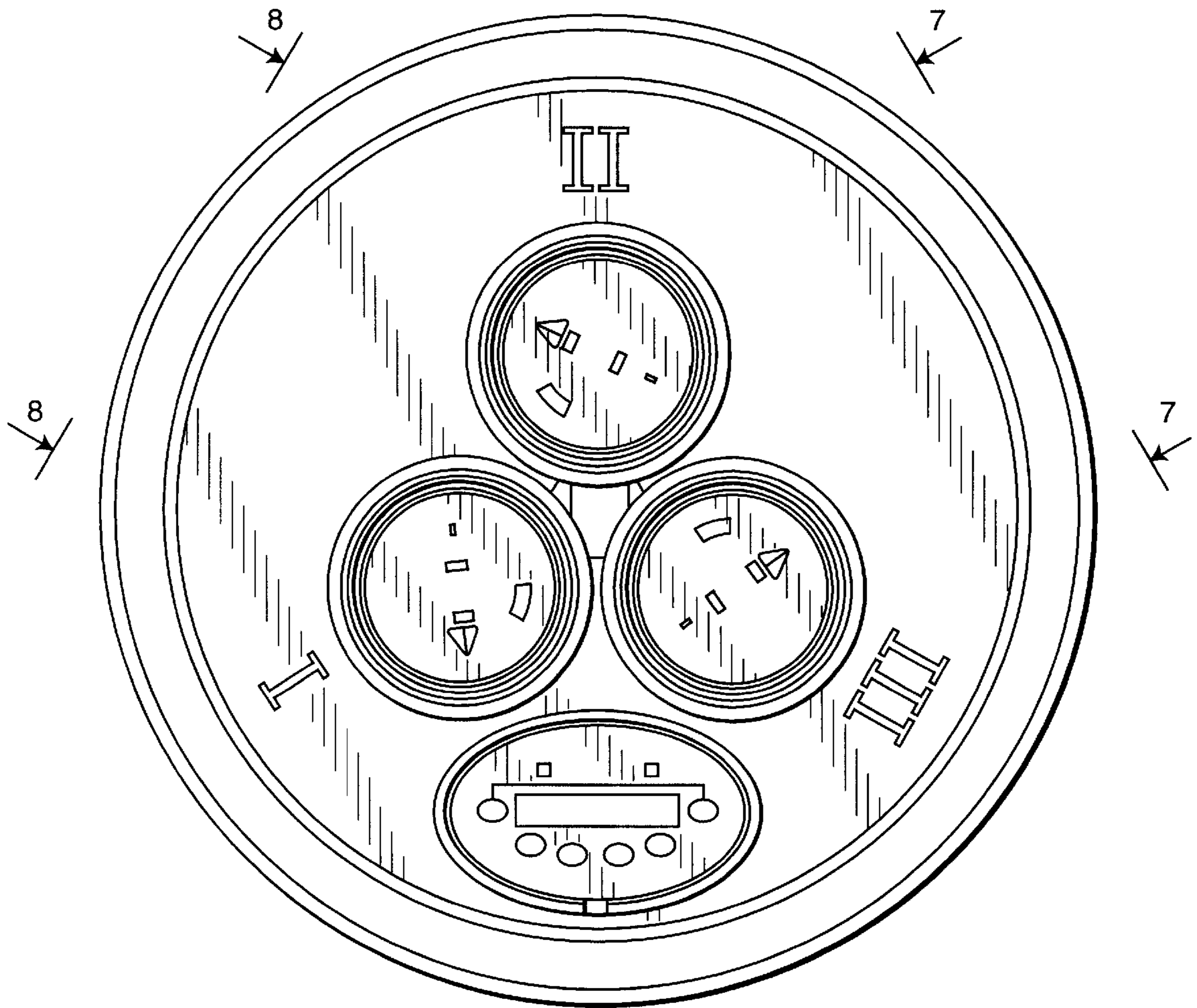


FIG. 6

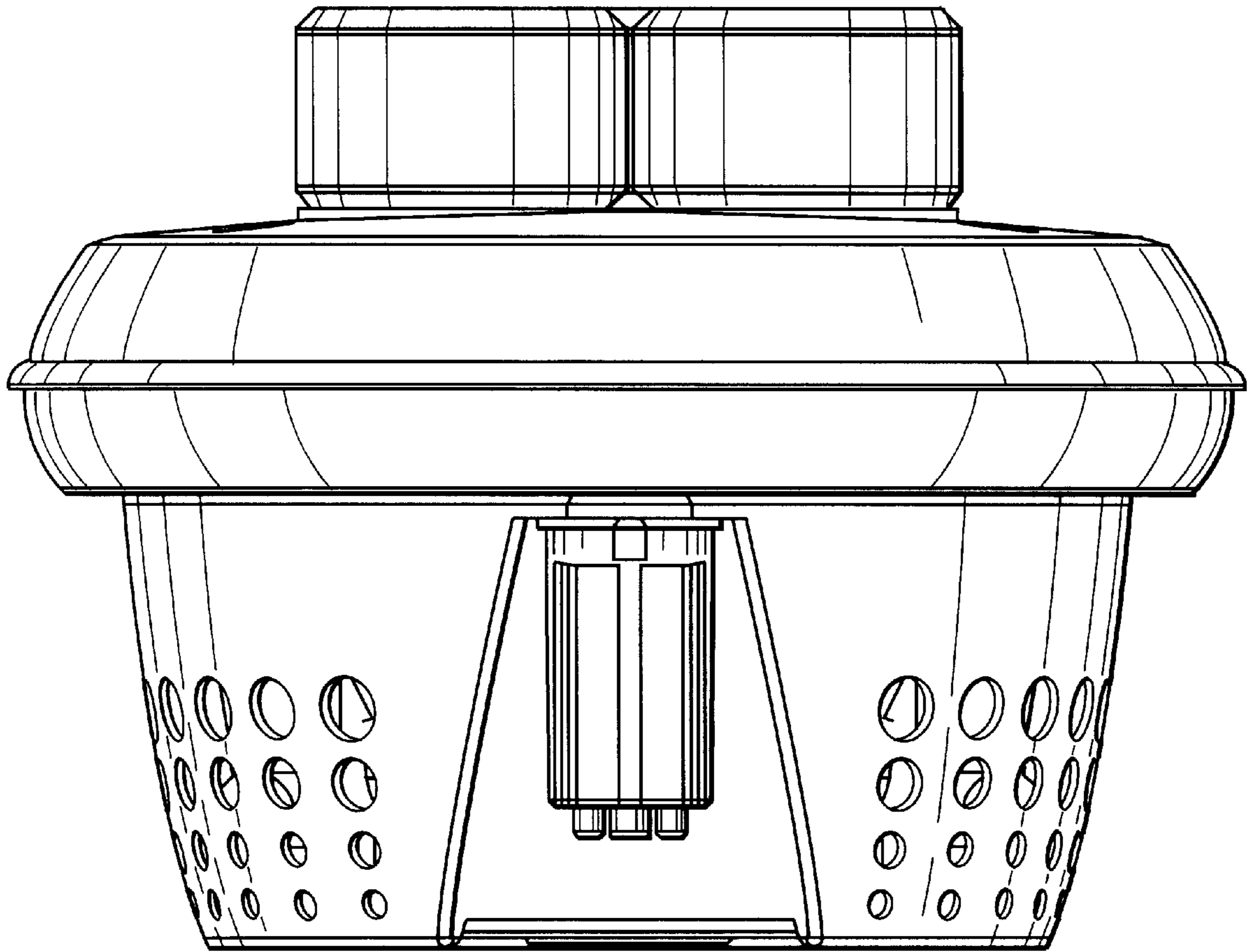


FIG. 7

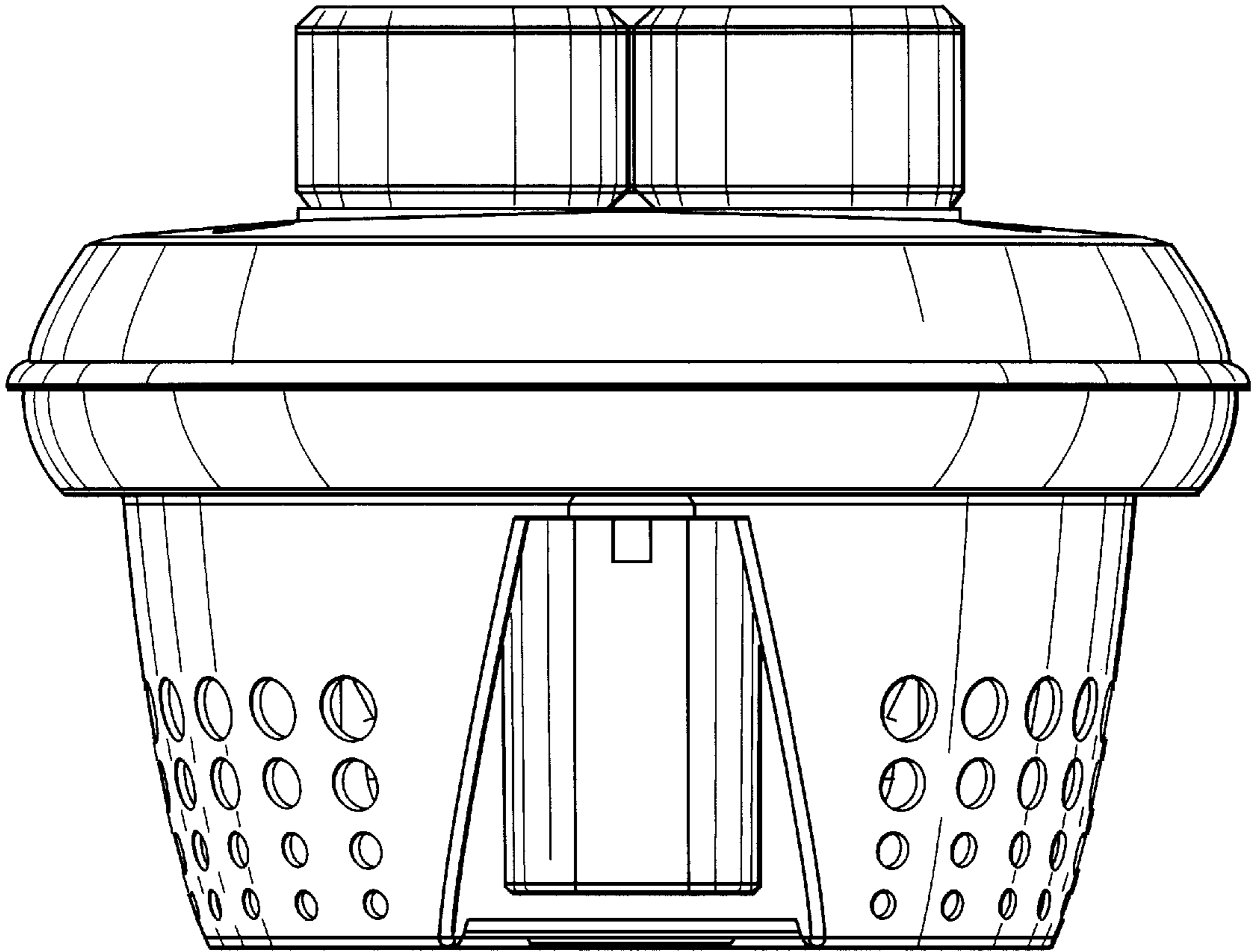


FIG. 8

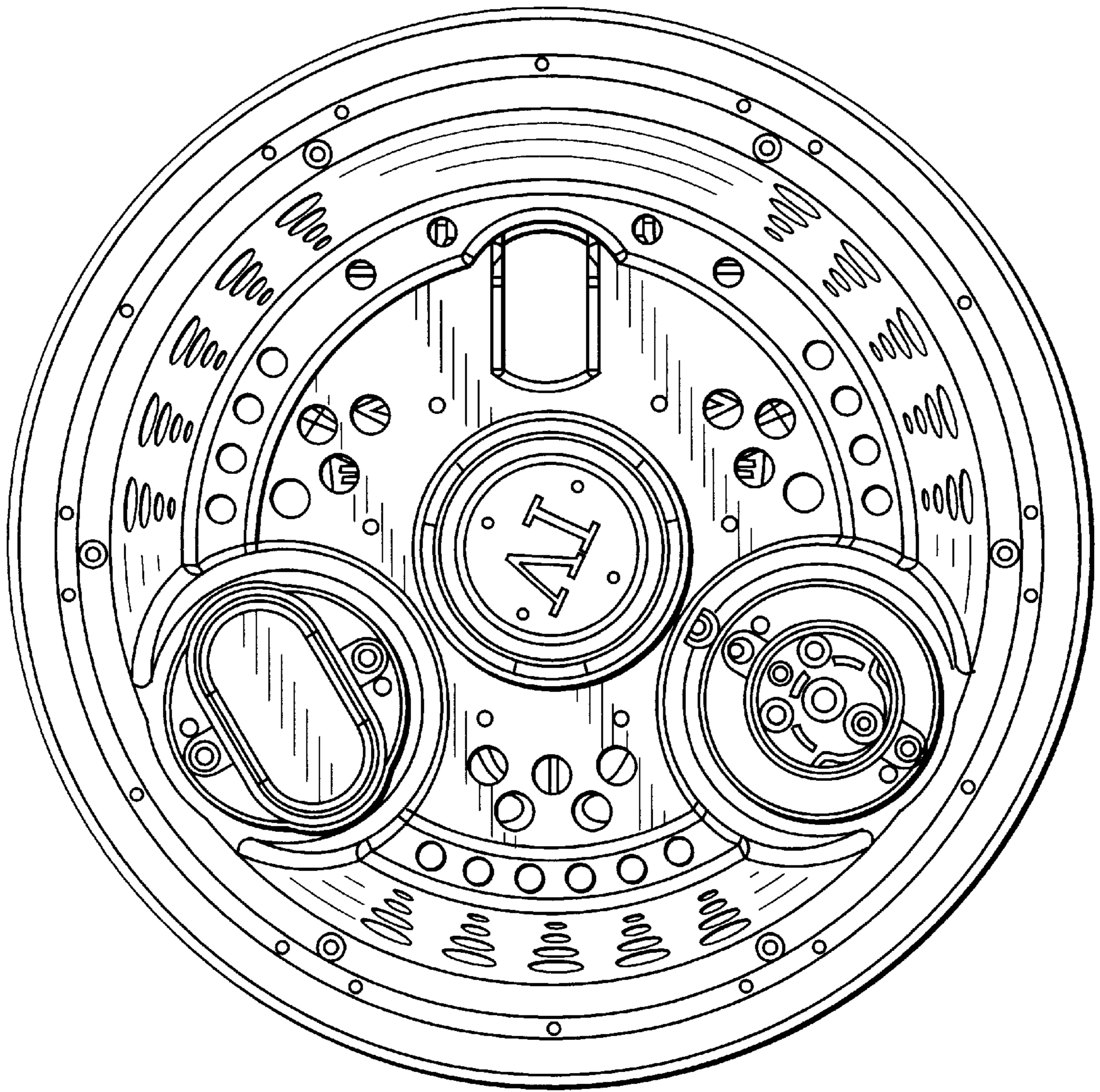


FIG. 9