



US00D439527S

(12) **United States Design Patent**
Kennedy

(10) **Patent No.:** **US D439,527 S**

(45) **Date of Patent:** **** Mar. 27, 2001**

(54) **WATCH CASING AND BEZEL**

Timex Corporation 2000 catalog, p 8, Style T37292.

(75) Inventor: **Amelia Kennedy**, Woodbury, CT (US)

* cited by examiner

(73) Assignee: **Timex Corporation**, Middlebury, CT (US)

Primary Examiner—Nelson C. Holtje

(**) Term: **14 Years**

(74) *Attorney, Agent, or Firm*—Carmody & Torrance LLP

(21) Appl. No.: **29/124,774**

(57) **CLAIM**

(22) Filed: **Jun. 12, 2000**

The ornamental design for a watch casing and bezel, as shown and described.

(51) **LOC (7) Cl.** **10-02**

(52) **U.S. Cl.** **D10/30; D10/38**

(58) **Field of Search** D10/1-40, 122-132;
368/280-282, 276-277, 28-30, 285, 239-242,
243-249, 82-84, 41-44

DESCRIPTION

(56) **References Cited**

U.S. PATENT DOCUMENTS

- D. 245,230 * 8/1977 Kleiner D10/32
- D. 390,123 2/1998 Kennedy .
- D. 390,130 2/1998 Kennedy .
- D. 404,658 * 1/1999 Hanagata D10/30
- D. 407,030 * 3/1999 Toyoshima et al. D10/39
- 2,546,859 * 3/1951 Innes .

OTHER PUBLICATIONS

Timex Corporation 1999 catalog, pp. 5 & 6, Styles T26417, T37257, T26411.

Timex Corporation 1998 catalog, p 3, Styles 26327, 26417, 37257.

FIG. 1 is a perspective view of a watch casing and bezel showing my new design;

FIG. 2 is a left side elevational view thereof;

FIG. 3 is a top plan view thereof;

FIG. 4 is a right side elevational view thereof;

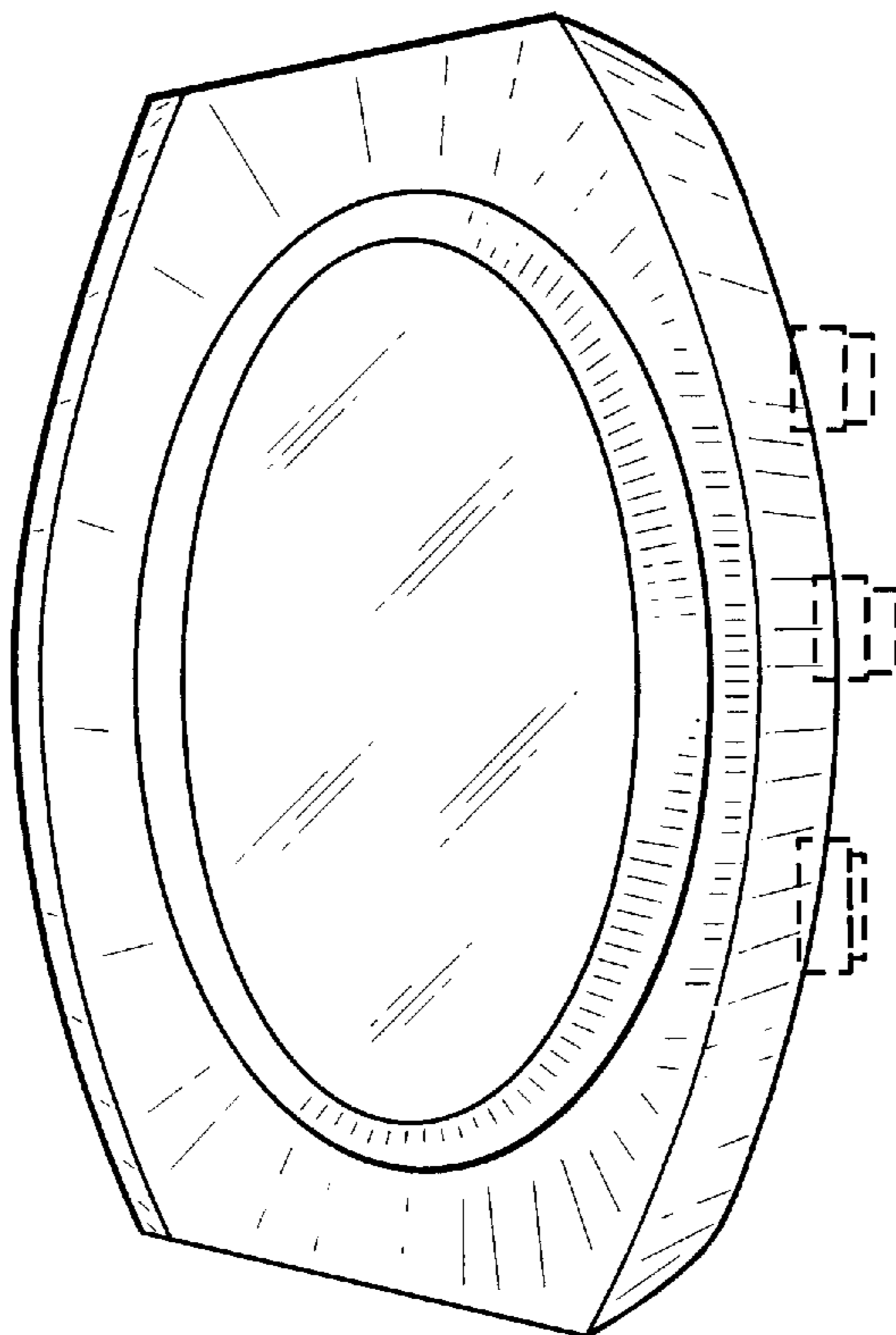
FIG. 5 is a first end elevational view thereof;

FIG. 6 is a second end elevational view thereof; and,

FIG. 7 is a bottom plan view.

The broken line showings of push buttons is for illustrative purposes only and forms no part of the claimed design.

1 Claim, 4 Drawing Sheets



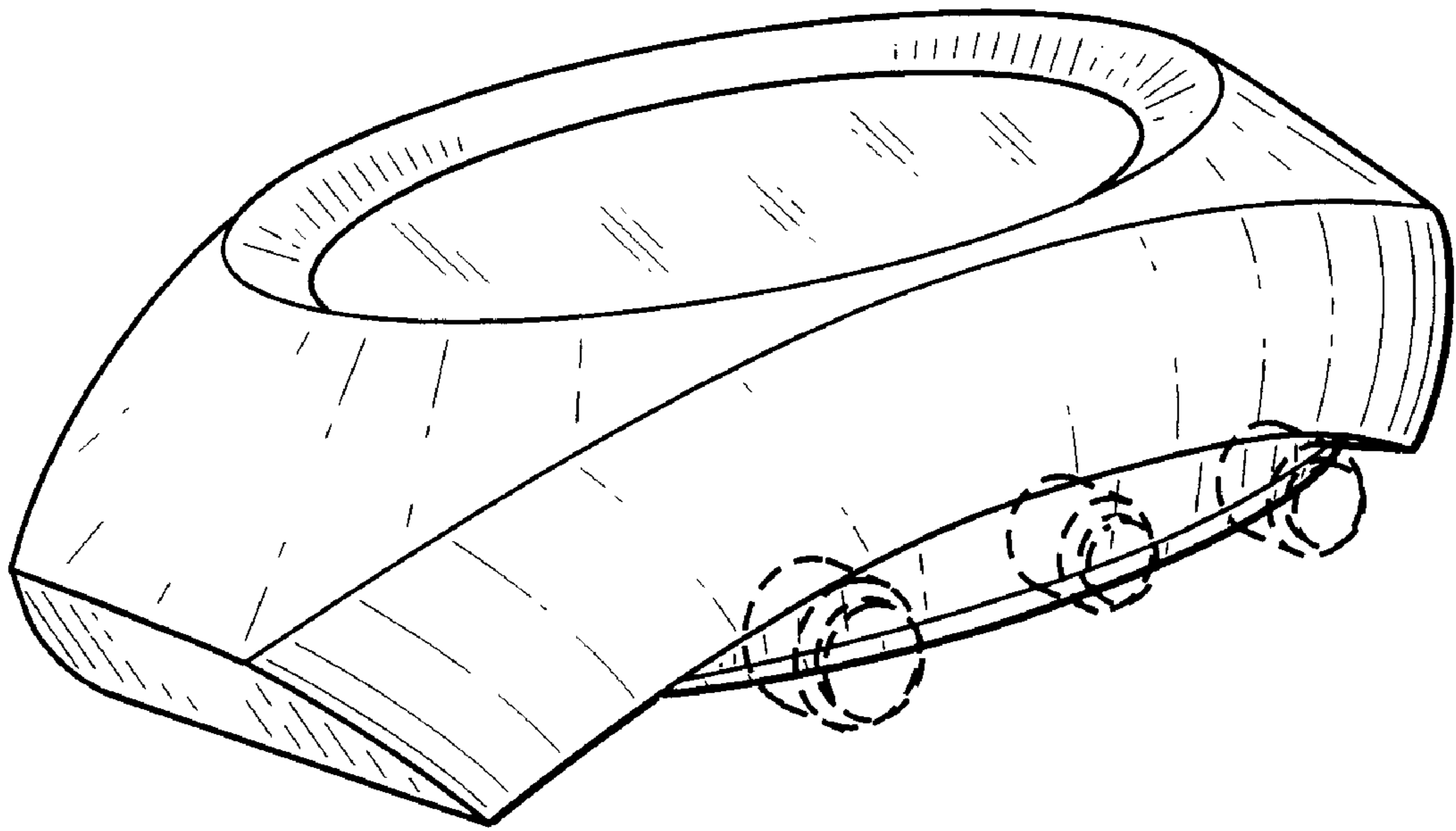


FIG. 1

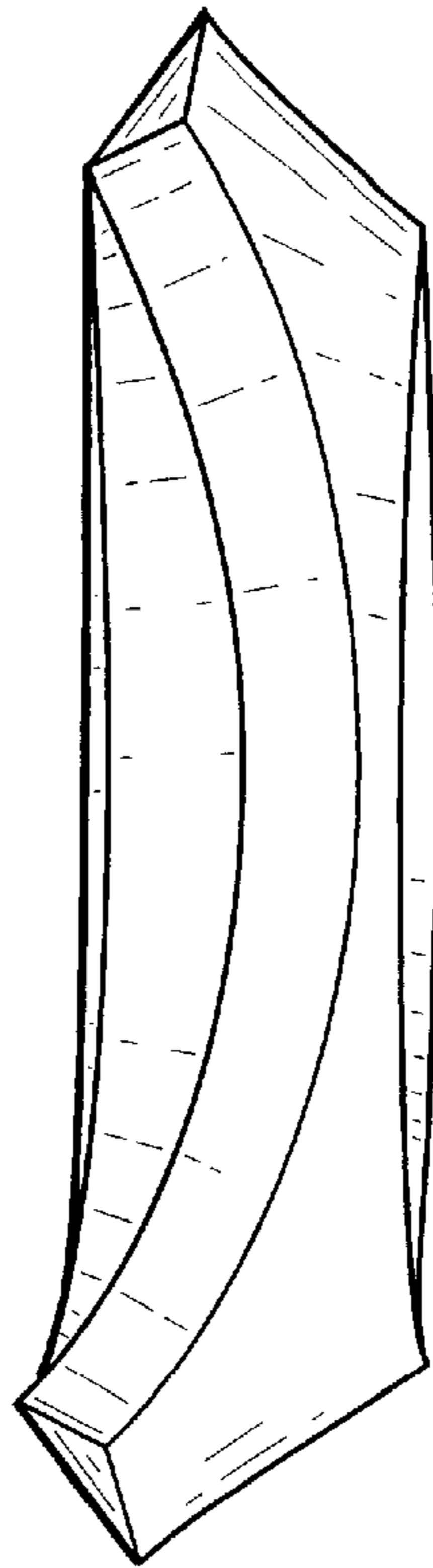


FIG. 2

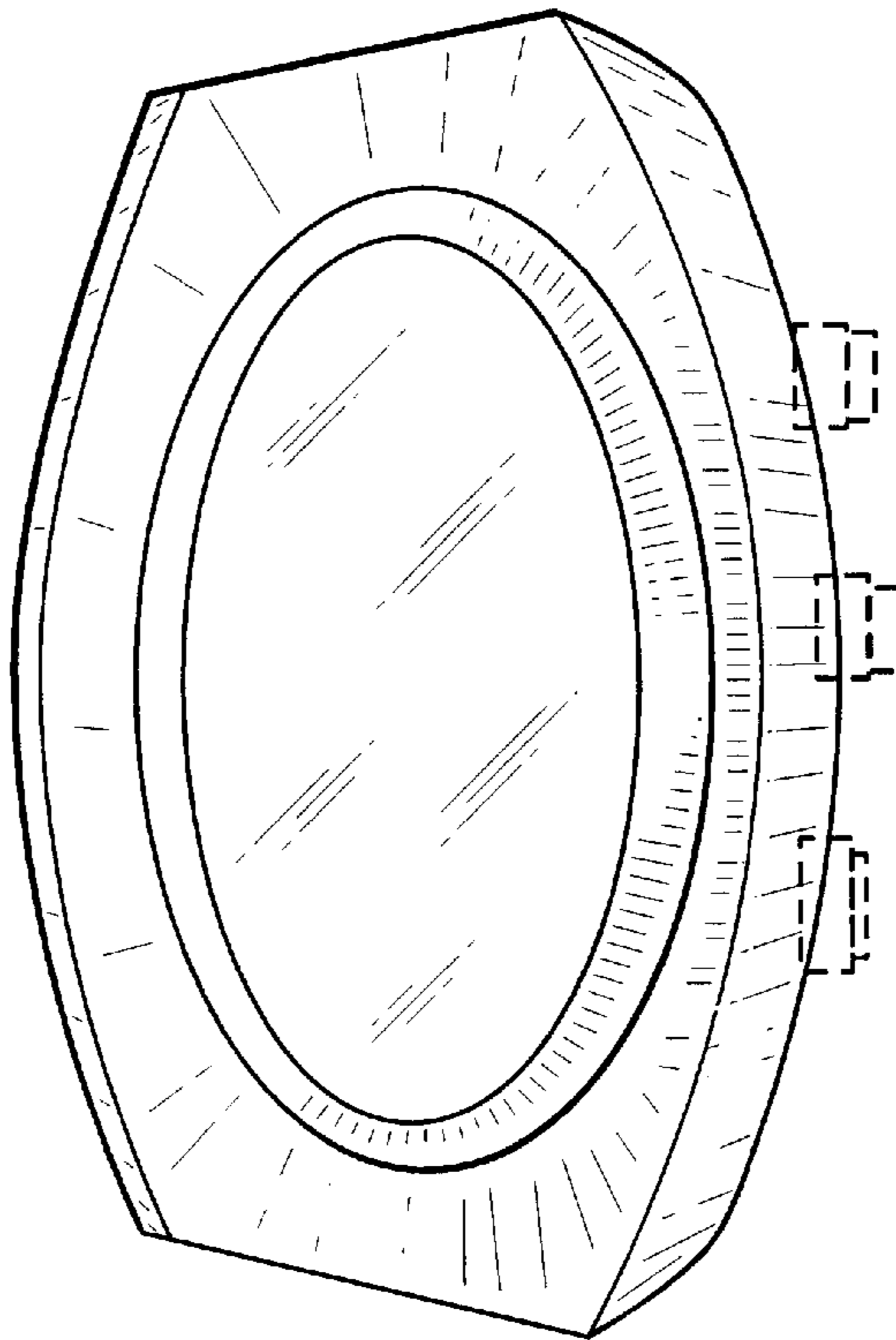


FIG. 3

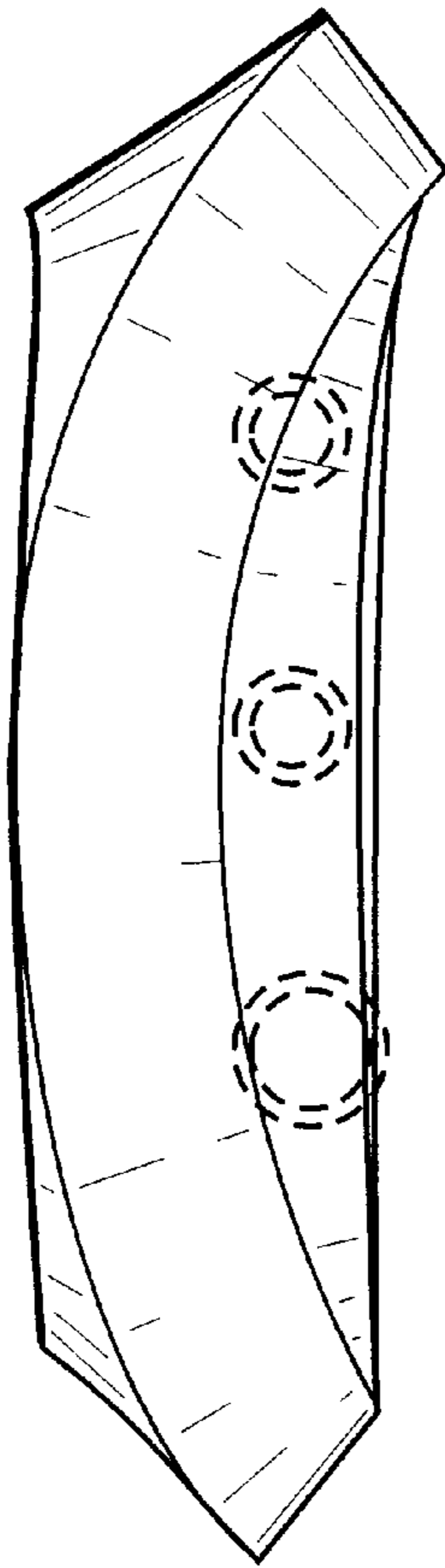


FIG. 4

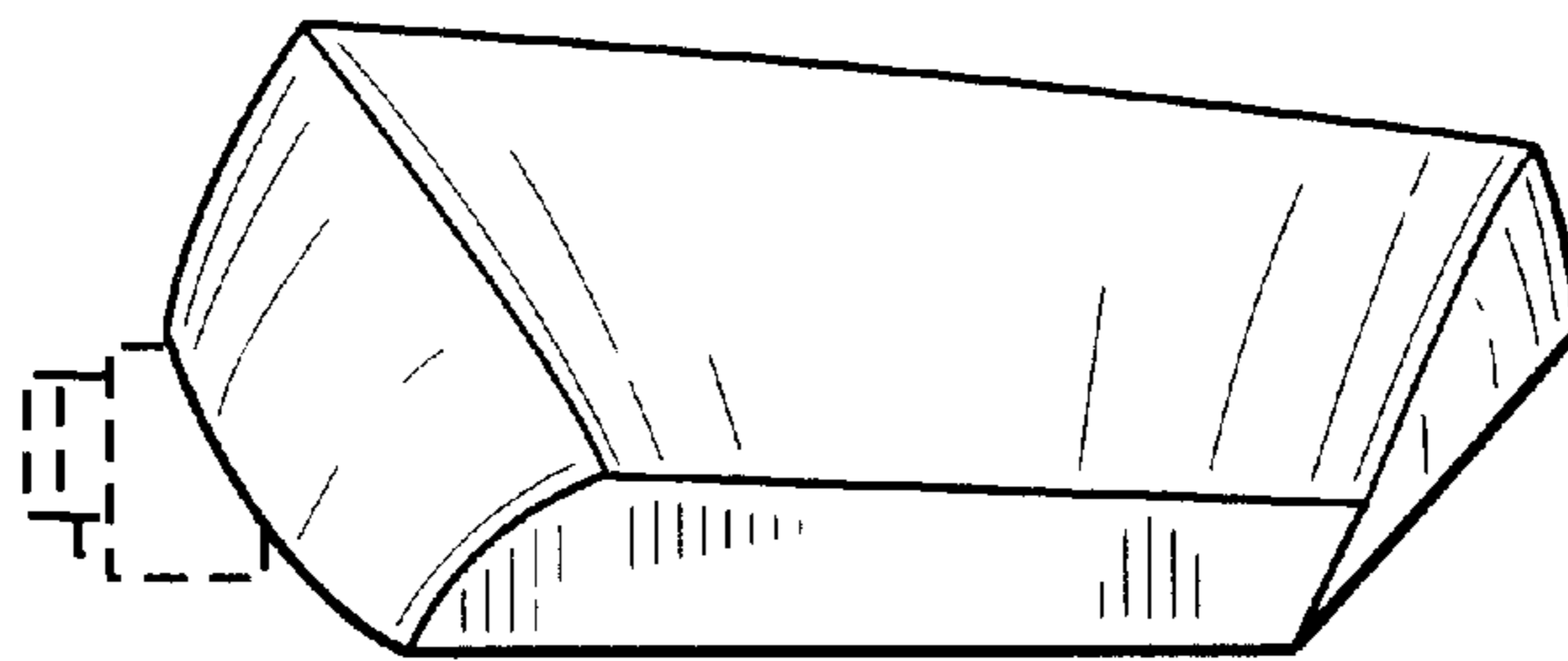


FIG. 5

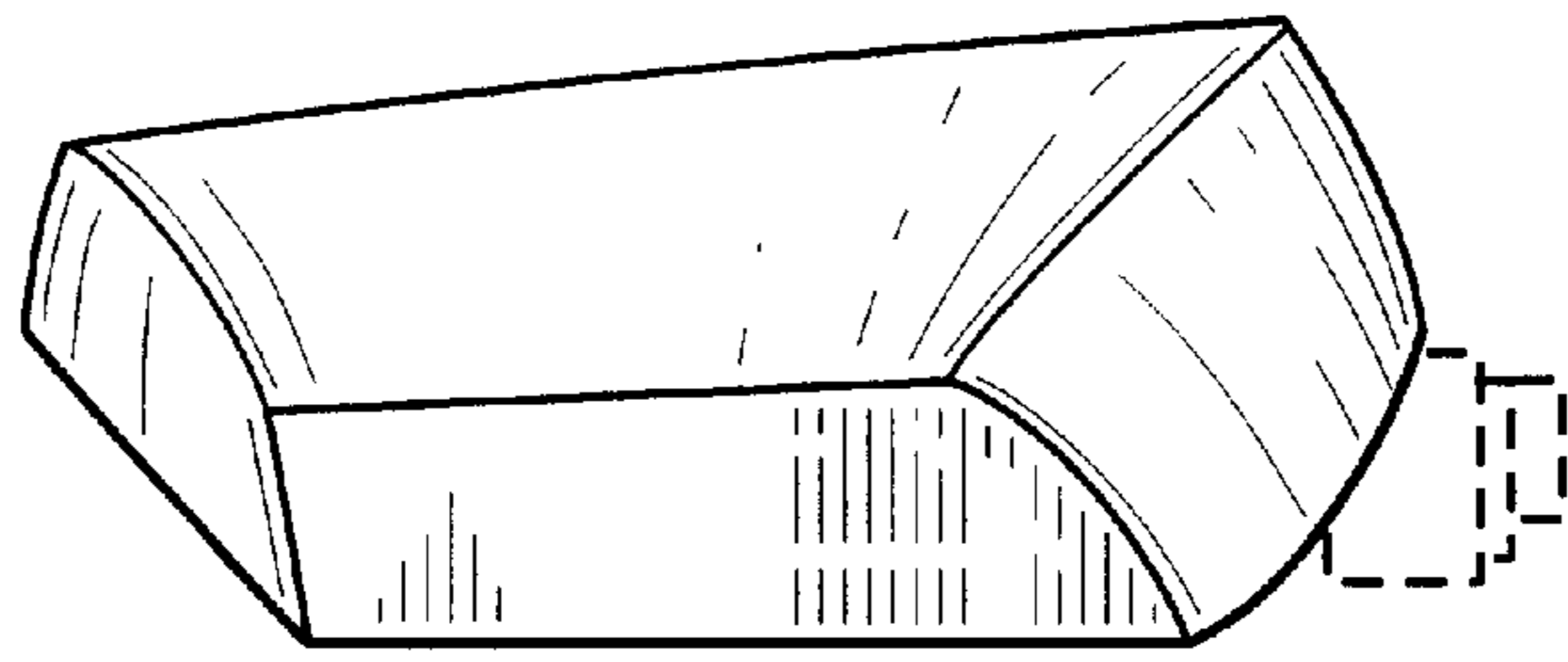


FIG. 6

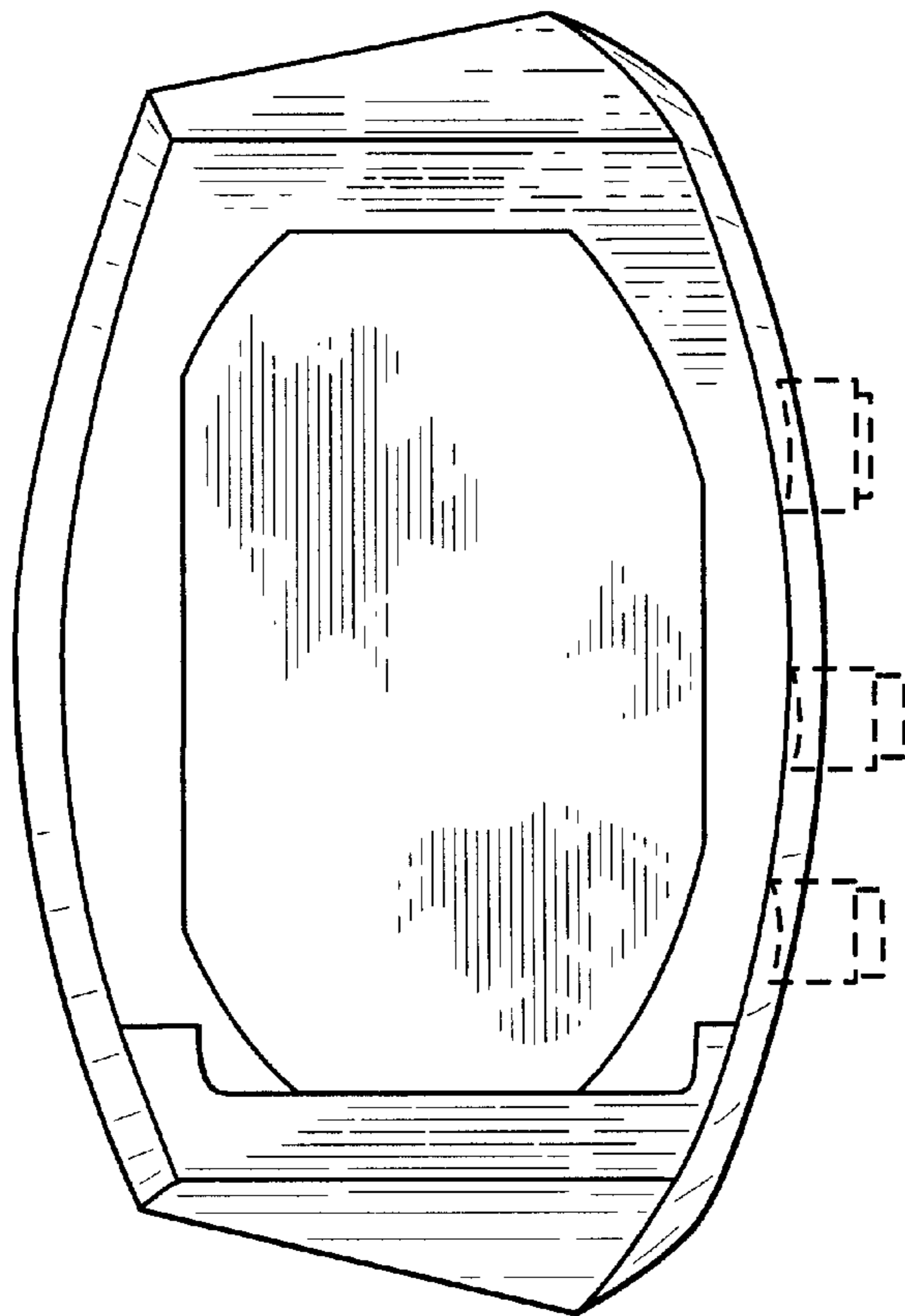


FIG. 7