



US00D439522S

(12) **United States Design Patent**
Blaakman

(10) **Patent No.: US D439,522 S**

(45) **Date of Patent: ** *Mar. 27, 2001**

(54) **SAMPLE BOTTLE**

(75) Inventor: **Christiaan Blaakman**, Homer, NY
(US)

(73) Assignee: **Marietta Corporation**, Cortland, NY
(US)

(*) Notice: This patent is subject to a terminal disclaimer.

(**) Term: **14 Years**

(21) Appl. No.: **29/115,690**

(22) Filed: **Dec. 17, 1999**

Related U.S. Application Data

(63) Continuation-in-part of application No. 29/110,569, filed on Sep. 9, 1999.

(51) **LOC (7) Cl. 09-01**

(52) **U.S. Cl. D9/542**

(58) **Field of Search** D9/542, 539, 551,
D9/564, 573, 574, 558, 544, 571, 300;
215/382, 383, 384

(56) **References Cited**

U.S. PATENT DOCUMENTS

D. 63,354	*	11/1923	Bendis	D9/544
D. 199,204	*	9/1964	Daffey	D9/542
D. 235,092	*	5/1975	Leary	D9/564
D. 256,885	*	9/1980	DiScala	D9/574
D. 338,159	*	8/1993	Densky et al.	D9/574
D. 388,331	*	12/1997	Haner et al.	D9/571

* cited by examiner

Primary Examiner—Ted Shooman

Assistant Examiner—Carol Rademaker

(74) *Attorney, Agent, or Firm*—Brian B. Shaw, Esq.;
Stephen B. Salai, Esq.; Harter, Secrest & Emery LLP

(57) **CLAIM**

The ornamental design for a sample bottle, as shown and described.

DESCRIPTION

FIG. 1 is a front elevational view of the present invention showing the invention.

FIG. 2 is a left side elevational view.

FIG. 3 is a rear elevational view.

FIG. 4 is a right side elevational view.

FIG. 5 is a top plan view.

FIG. 6 is a bottom plan view.

FIG. 7 is a front elevational view of an alternative embodiment of the invention.

FIG. 8 is a left side elevational view of the alternative embodiment.

FIG. 9 is a rear elevational view of the alternative embodiment.

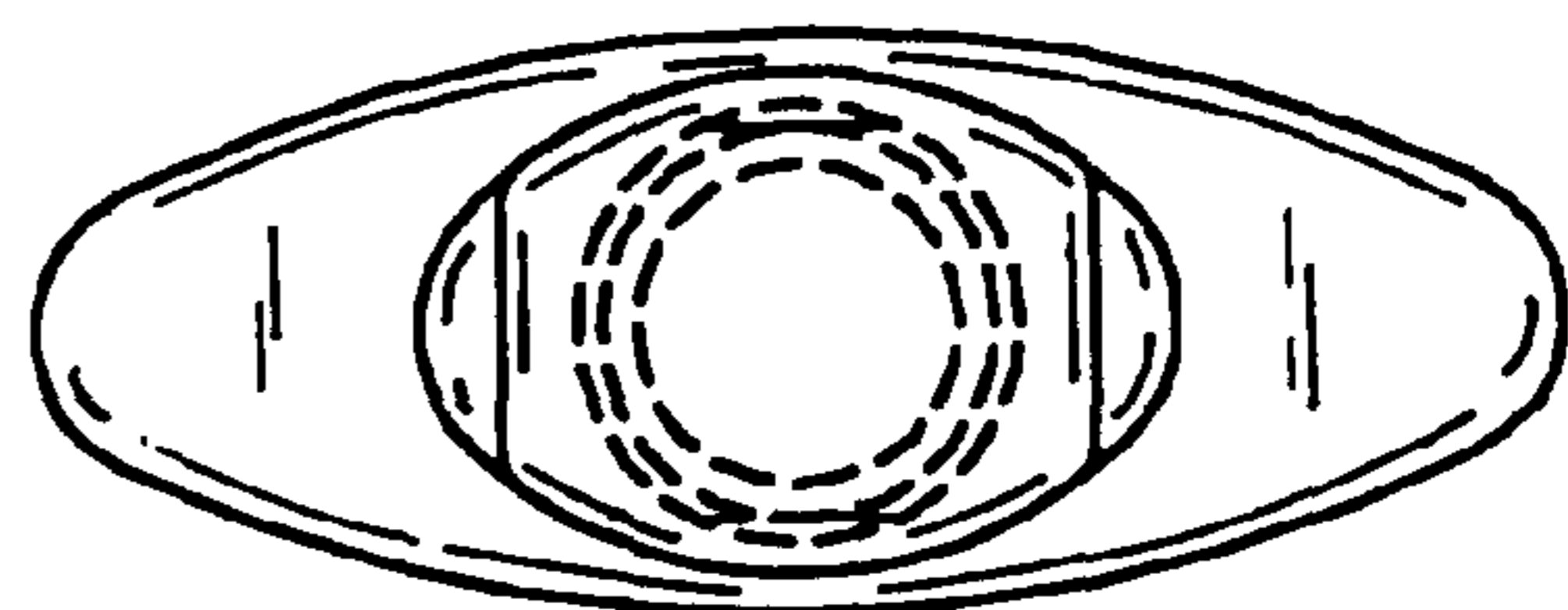
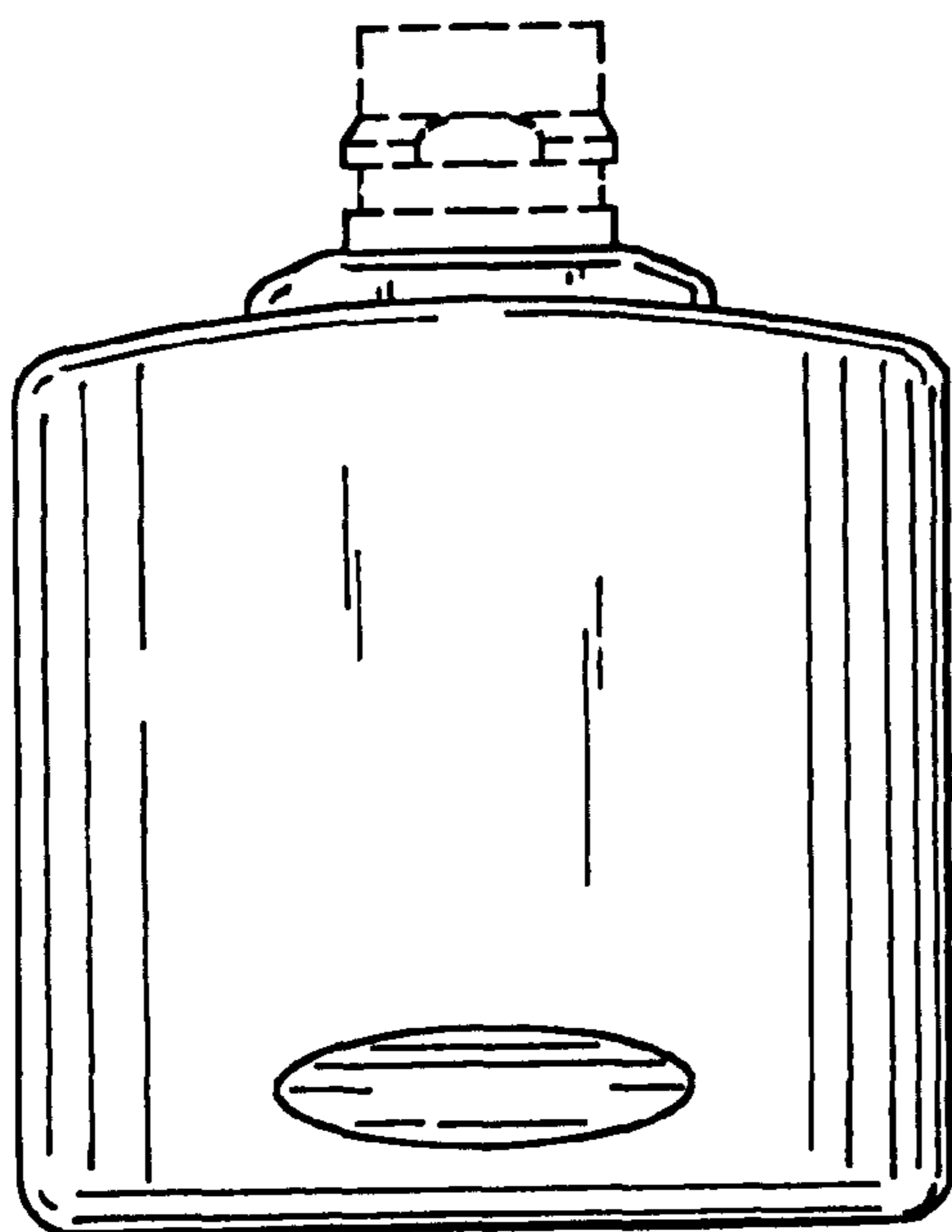
FIG. 10 is a right side elevational view of the alternative embodiment.

FIG. 11 is a top plan view of the alternative embodiment; and,

FIG. 12 is a bottom plan view of the alternative embodiment.

The broken lines in the drawings are for illustrative purposes only and do not form part of the claimed design.

1 Claim, 2 Drawing Sheets



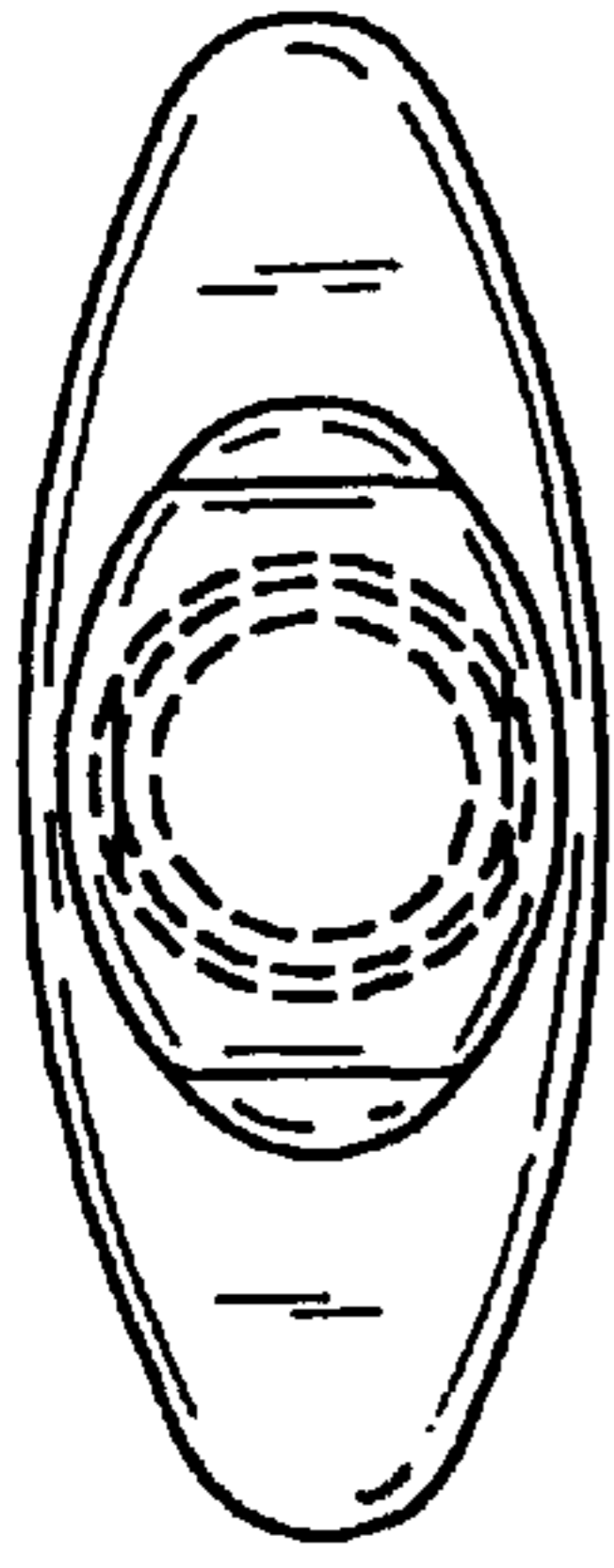


FIG. 5

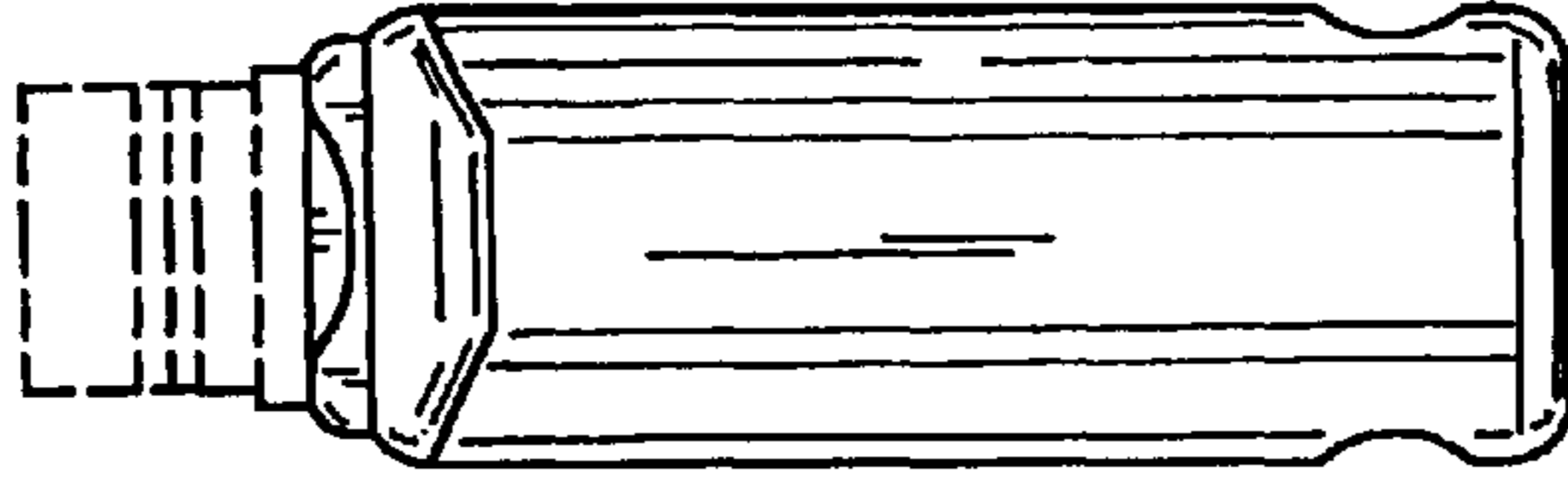


FIG. 4

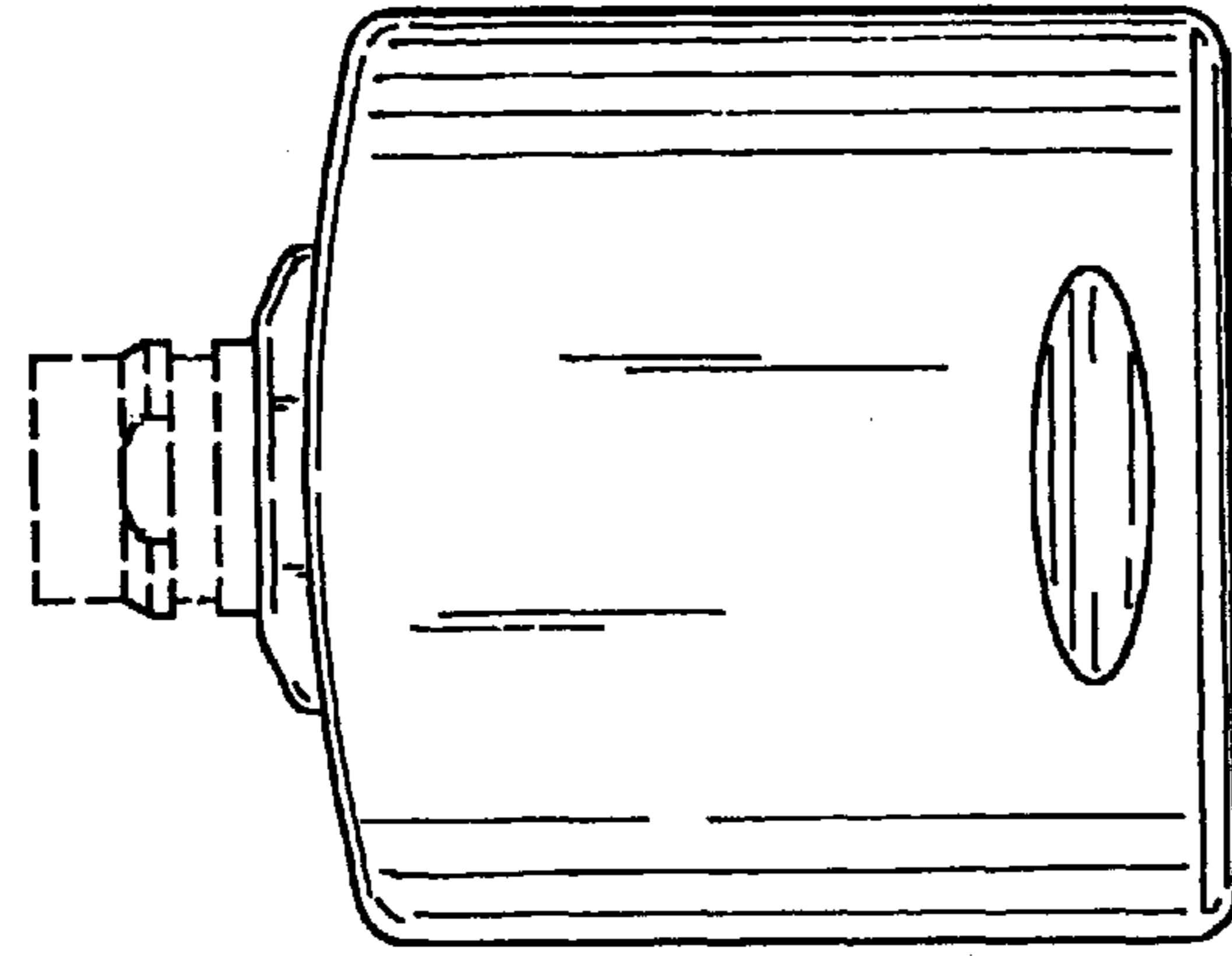


FIG. 3

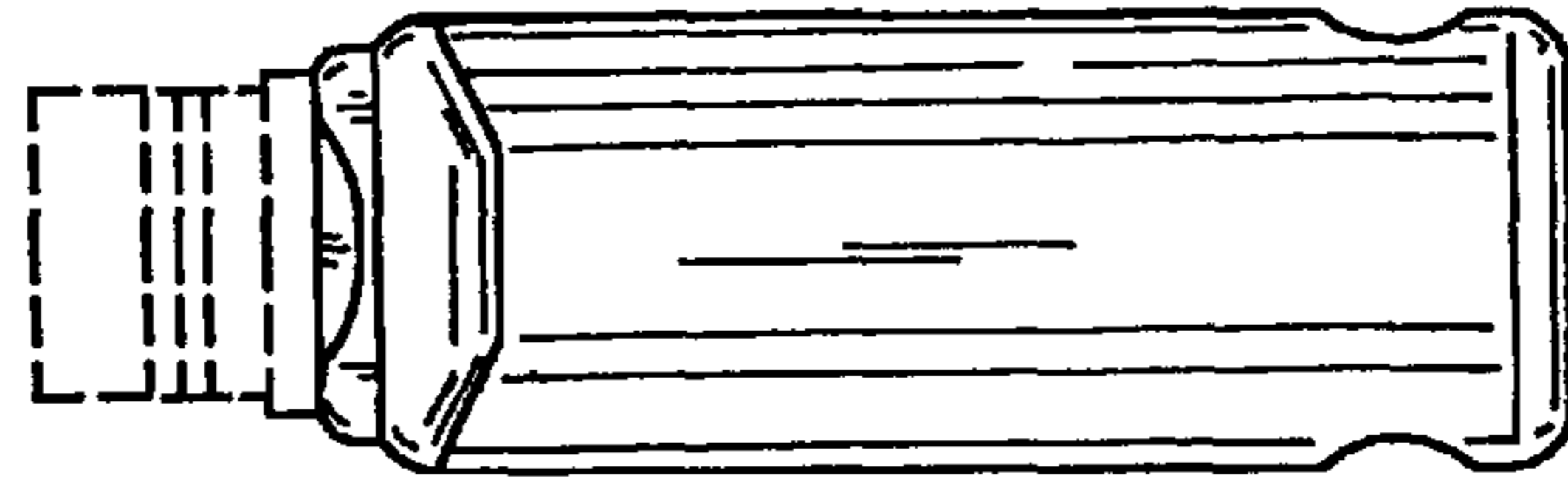


FIG. 2

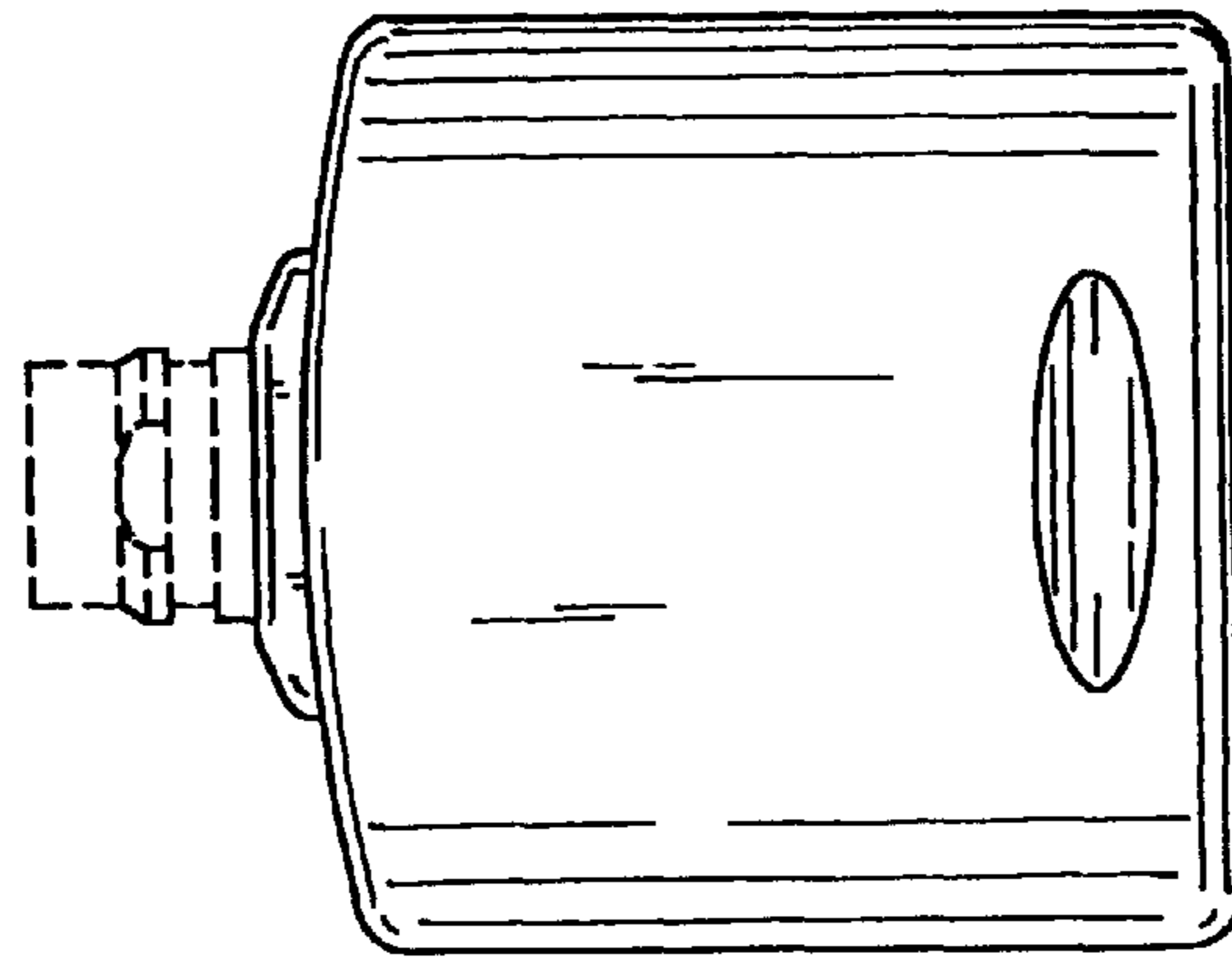


FIG. 1

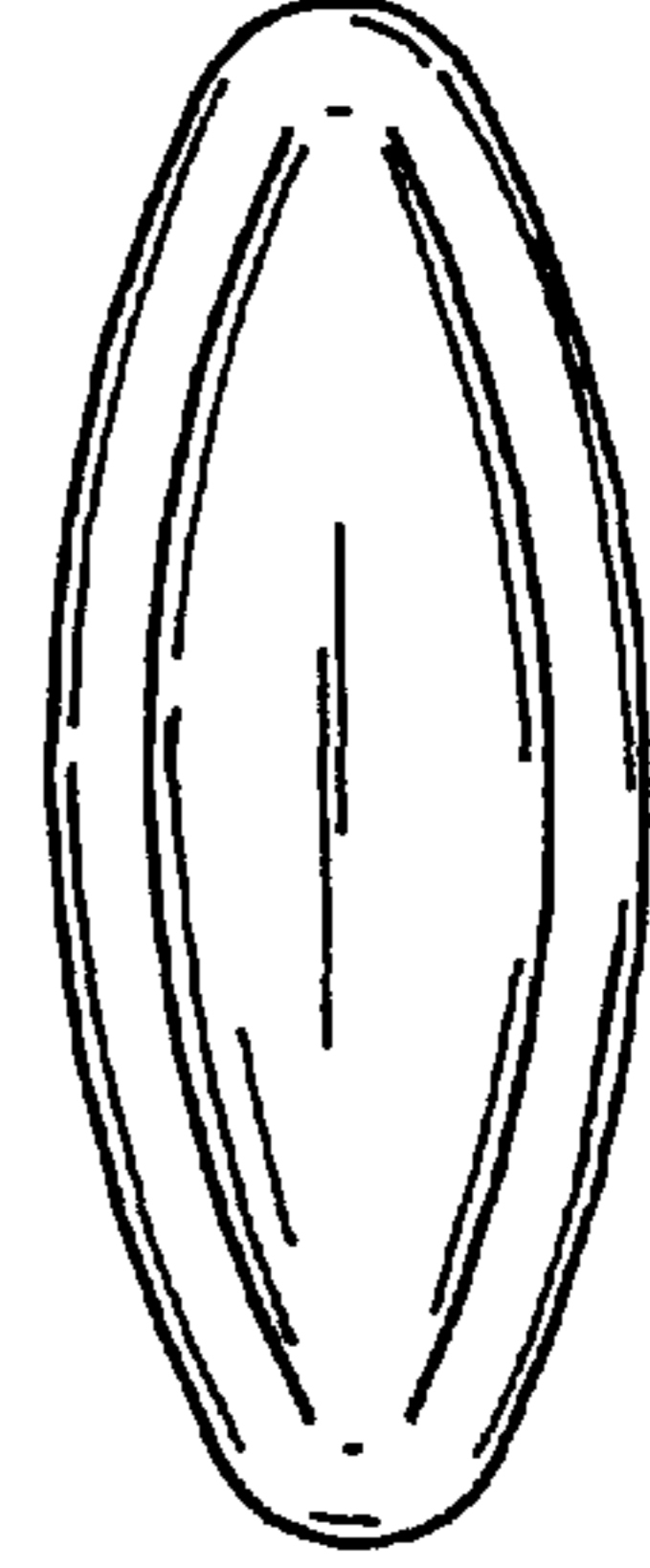


FIG. 6

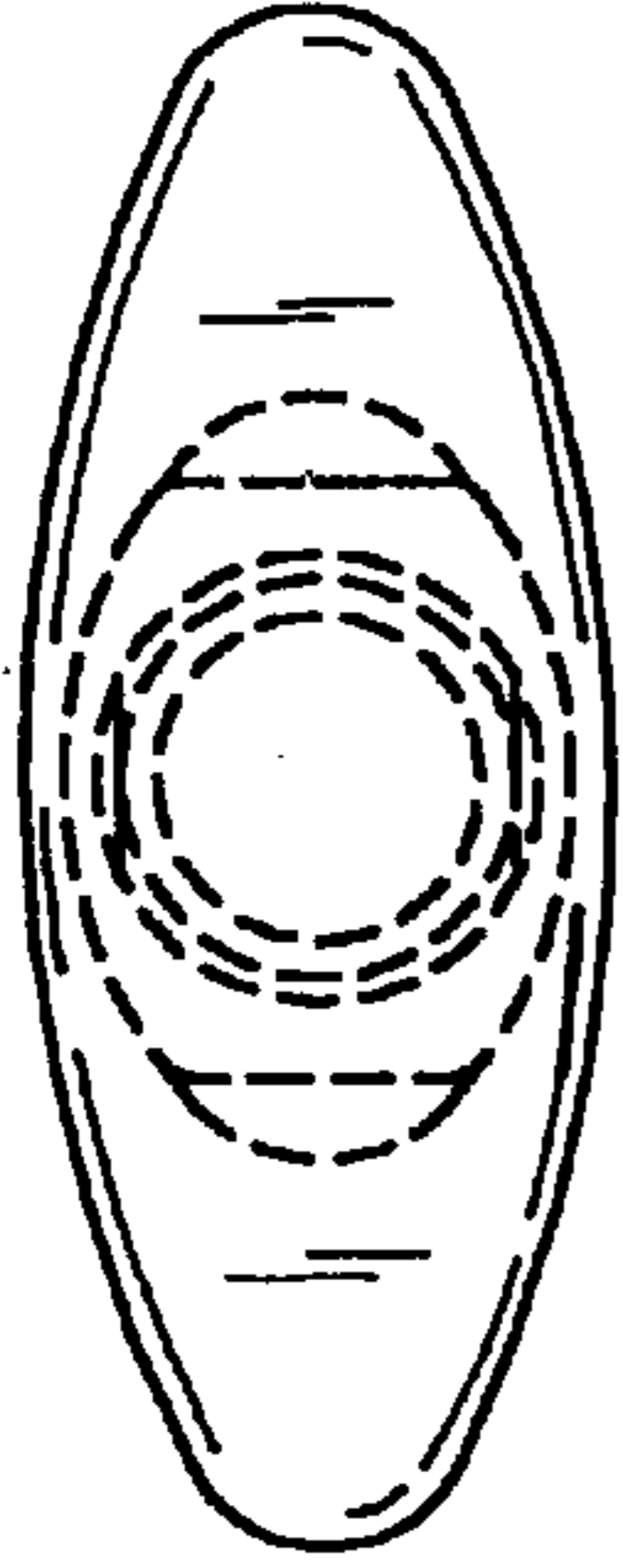


FIG. 11

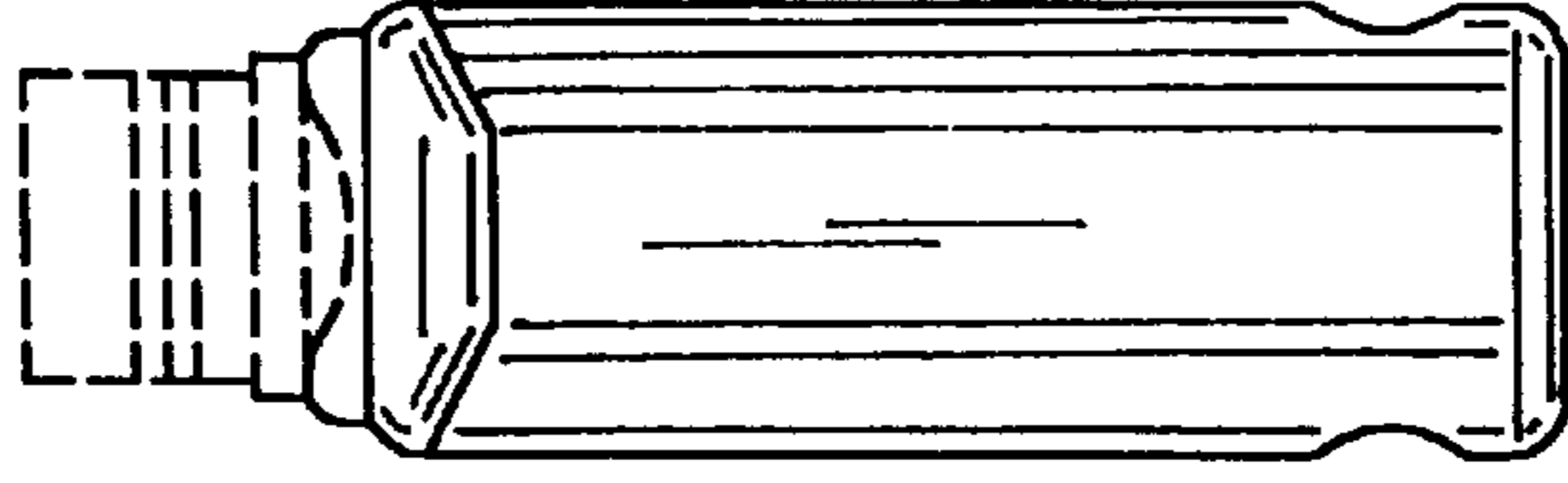


FIG. 10

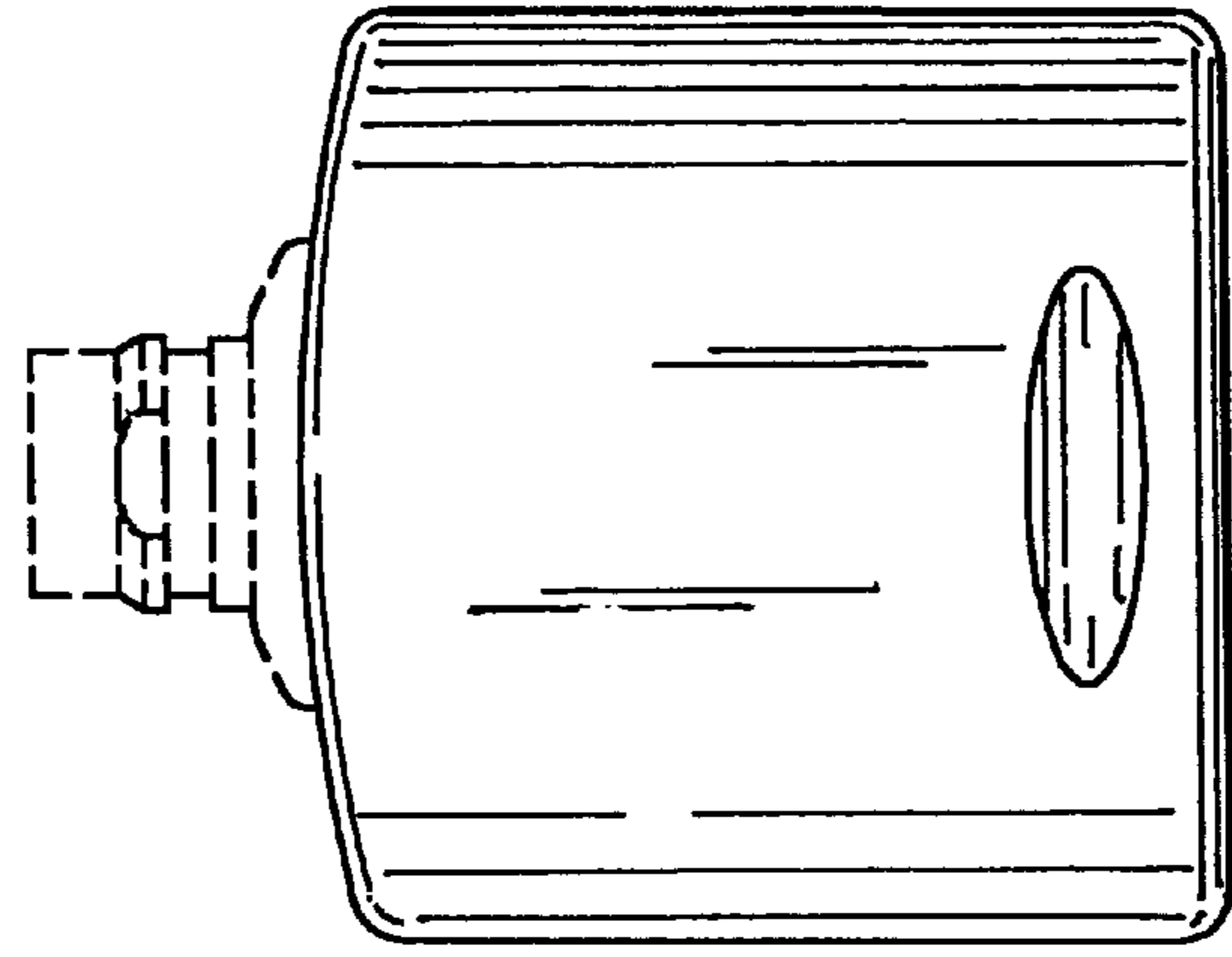


FIG. 9

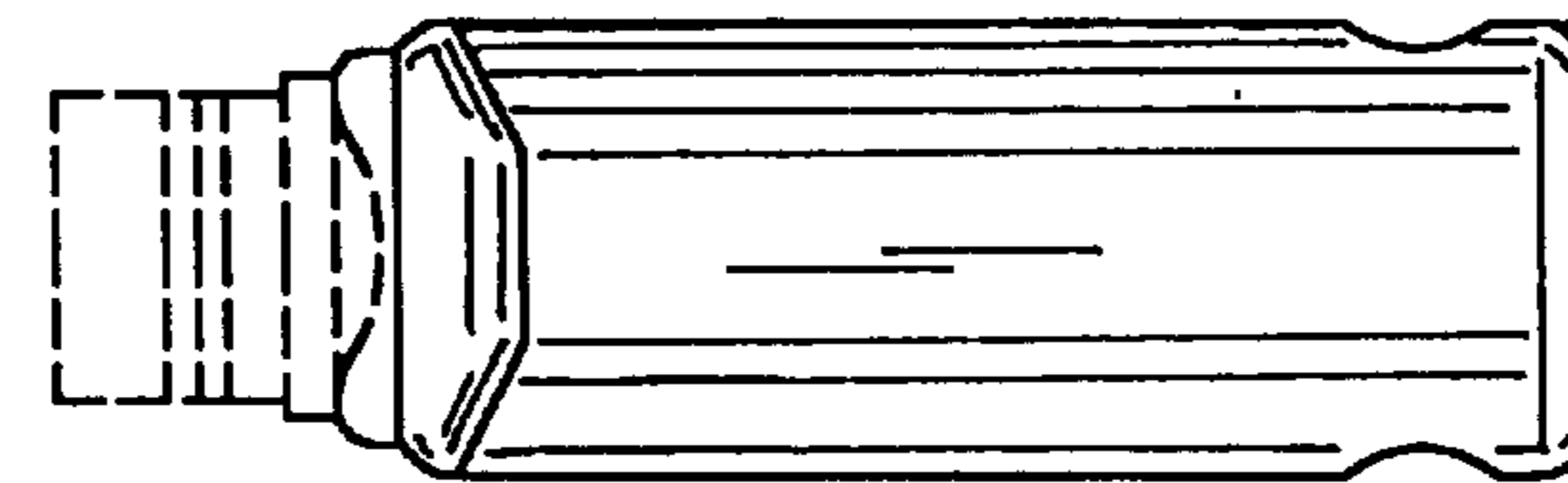


FIG. 8

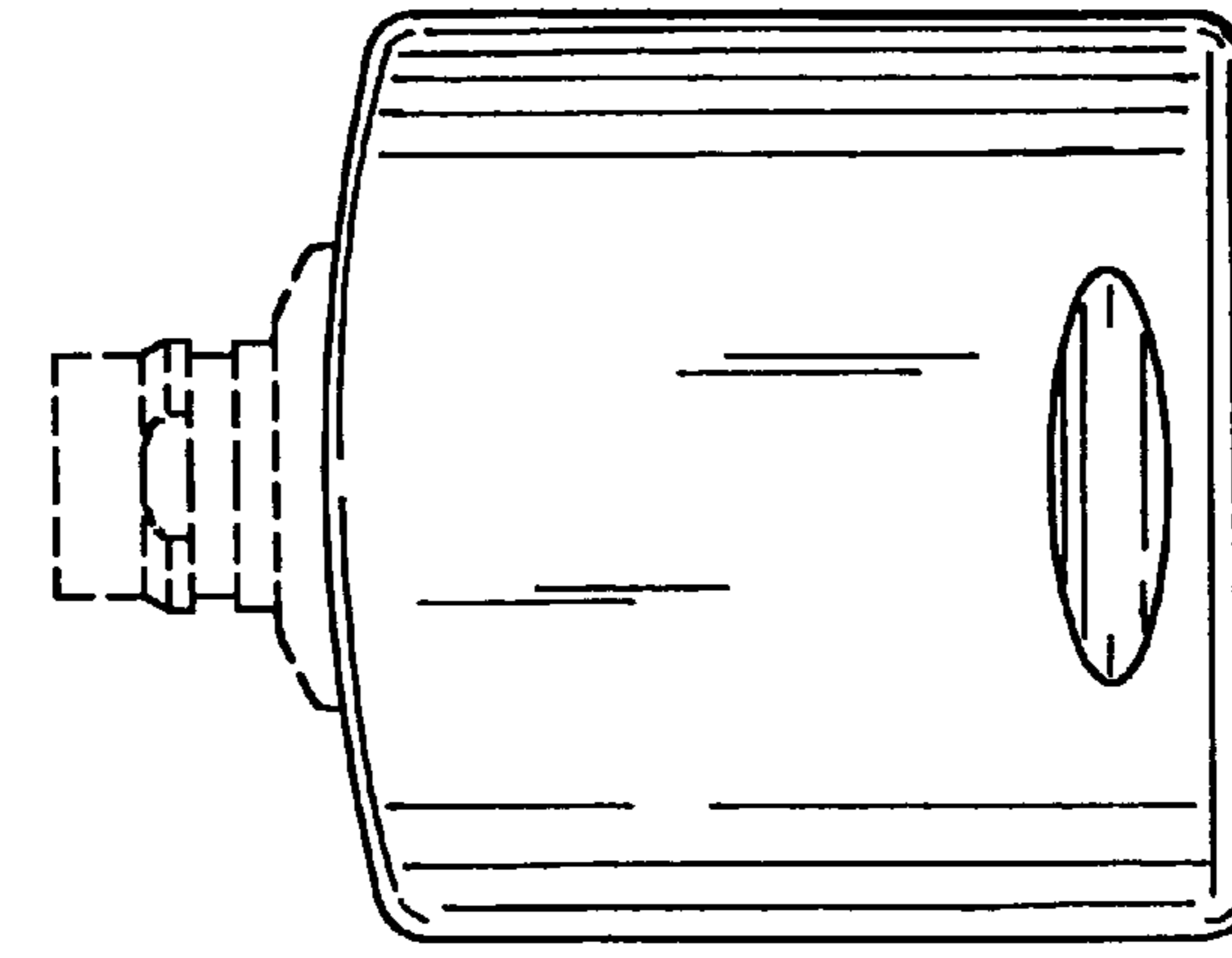


FIG. 7

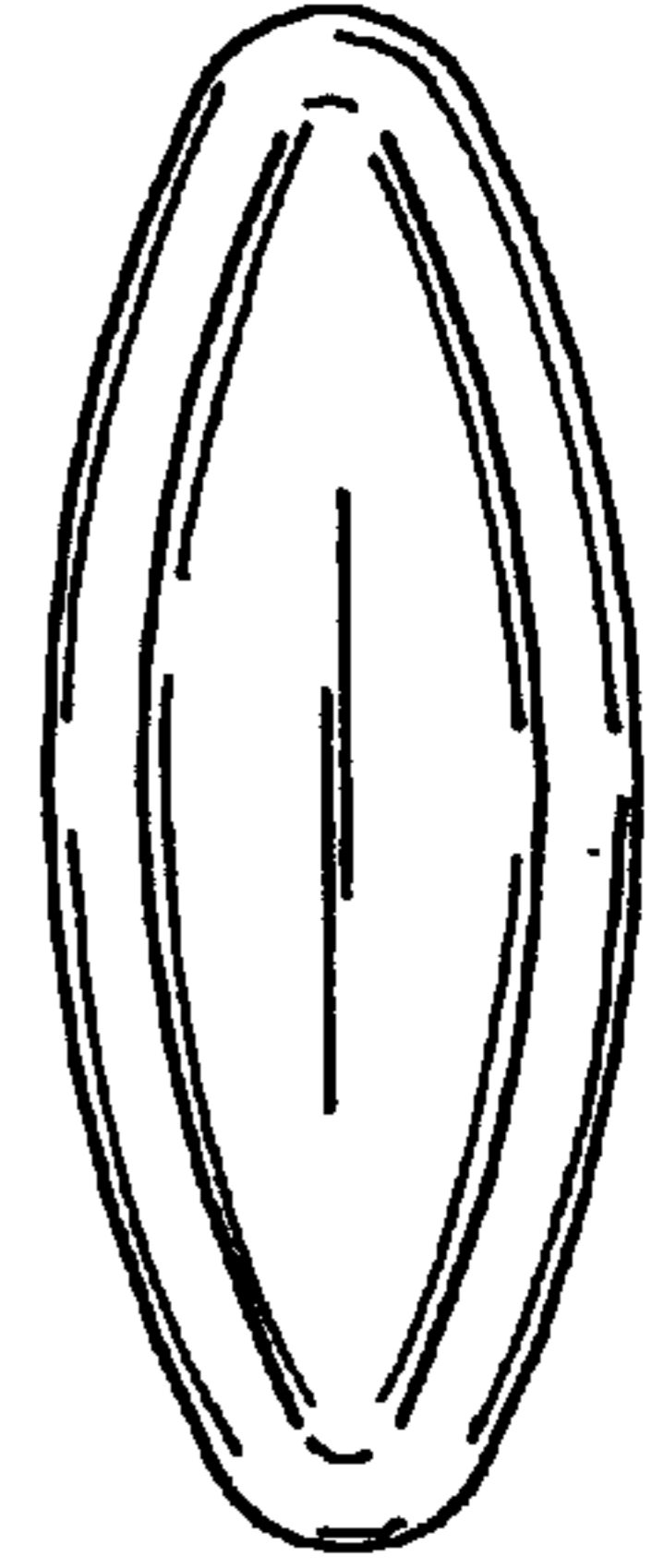


FIG. 12