



US00D439505S

(12) **United States Design Patent**
Dunning

(10) **Patent No.:** **US D439,505 S**

(45) **Date of Patent:** **** Mar. 27, 2001**

(54) **HOLDER FOR GASOLINE REFILL CONTAINER**

D. 427,642 * 7/2000 Pugliese D8/363 X

* cited by examiner

(76) Inventor: **James J. Dunning**, 1141 Lincoln Ave.,
St. Paul Park, MN (US) 55071

Primary Examiner—Holly Baynham

(74) *Attorney, Agent, or Firm*—Jacobson and Johnson

(**) Term: **14 Years**

(57) **CLAIM**

(21) Appl. No.: **29/128,214**

The ornamental design for a holder for gasoline refill container, as shown.

(22) Filed: **Aug. 22, 2000**

DESCRIPTION

(51) **LOC (7) Cl.** **08-05**

(52) **U.S. Cl.** **D8/363**

(58) **Field of Search** D8/363, 354, 370,
D8/373; 248/302, 303, 339; 211/123, 85.3

FIG. 1 is a perspective view of a holder for gasoline refill container, showing my design;

FIG. 2 is side elevation view;

FIG. 3 is the opposite side elevation view;

FIG. 4 is an end view;

FIG. 5 is an opposite end view;

FIG. 6 is a top view; and,

FIG. 7 is a bottom view.

(56) **References Cited**

U.S. PATENT DOCUMENTS

D. 237,859 * 12/1975 Ventinaglia D8/363 X

D. 244,512 * 5/1977 Edwards D8/373 X

1 Claim, 4 Drawing Sheets

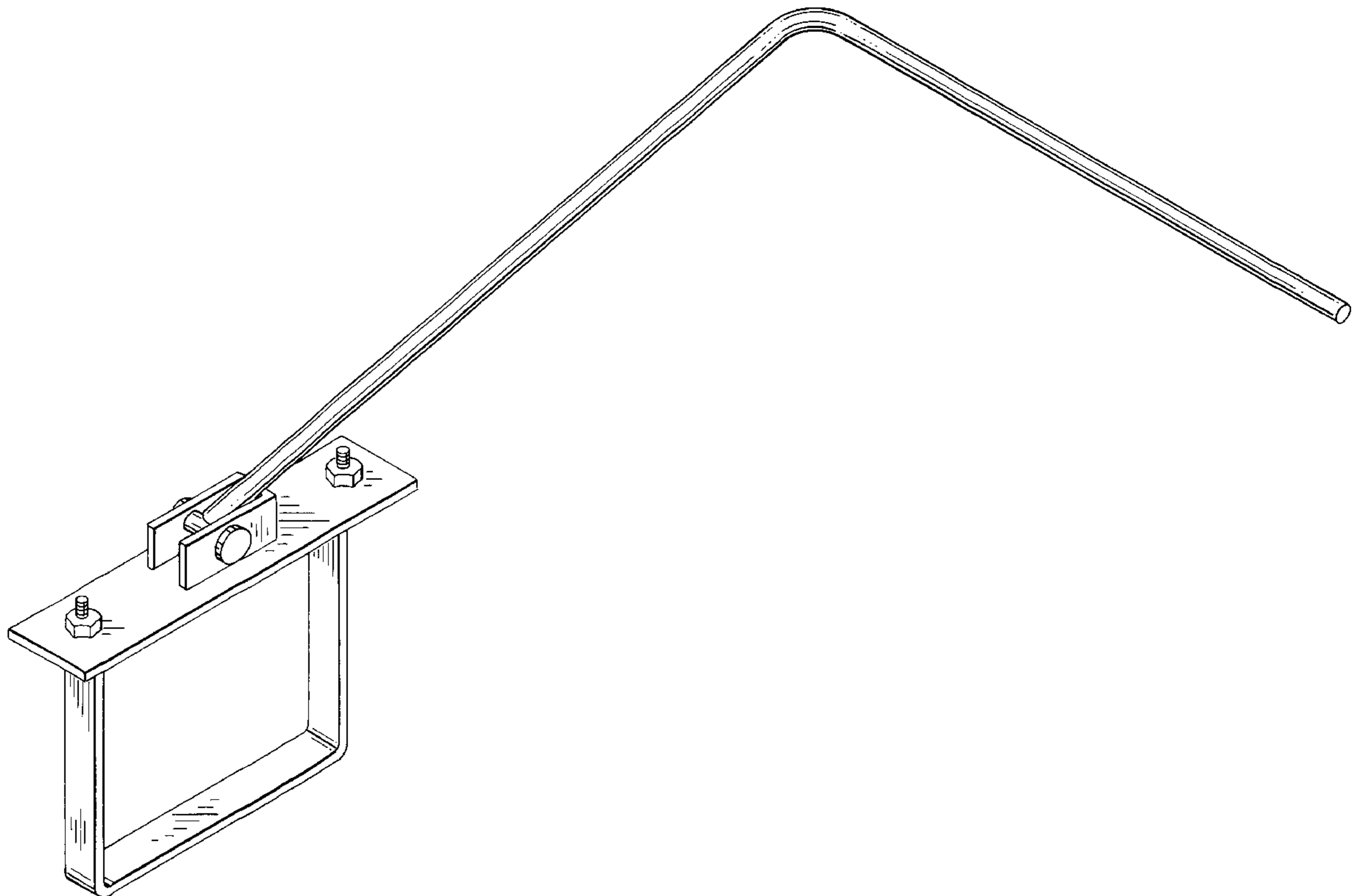


Fig.-1

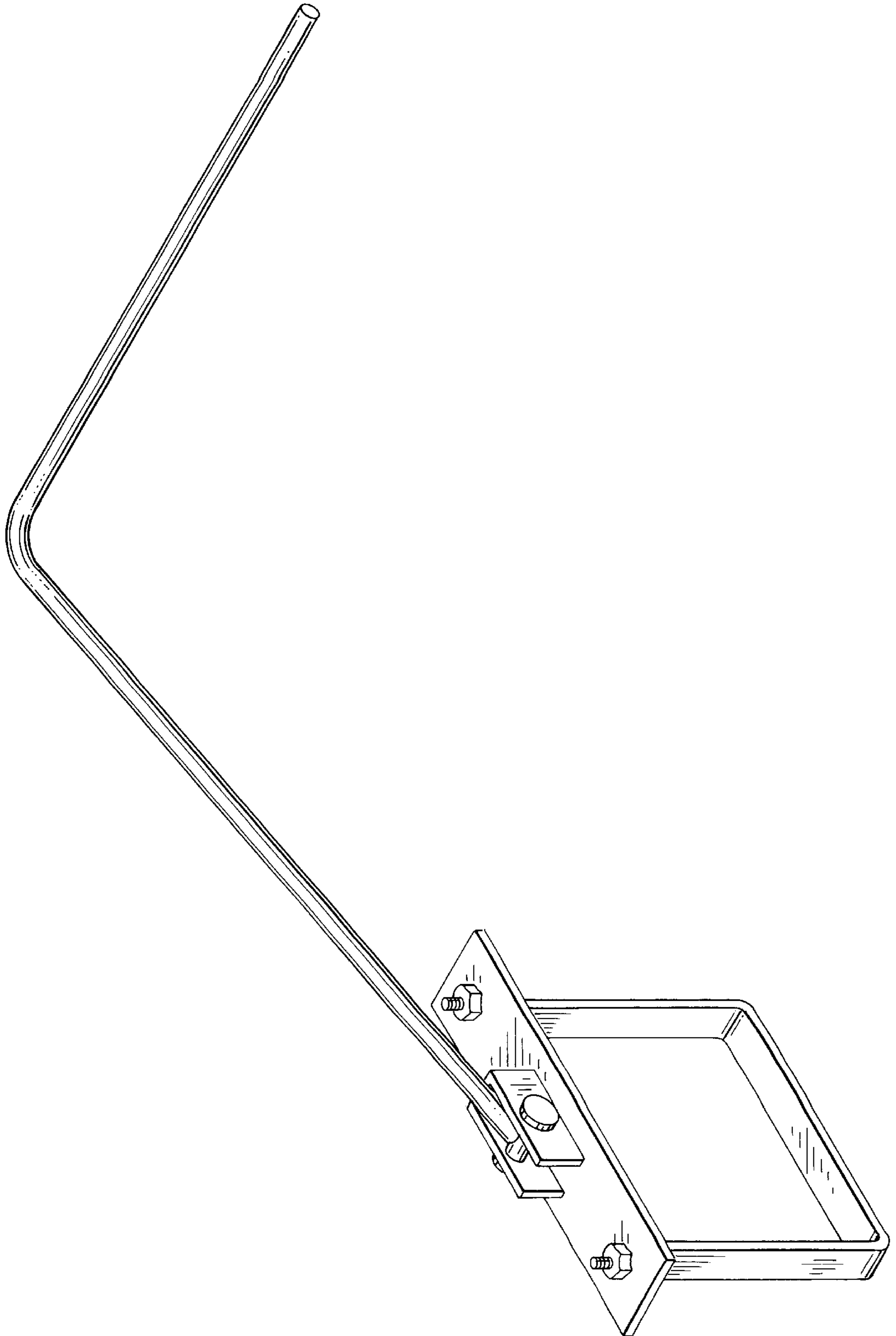


Fig.-2

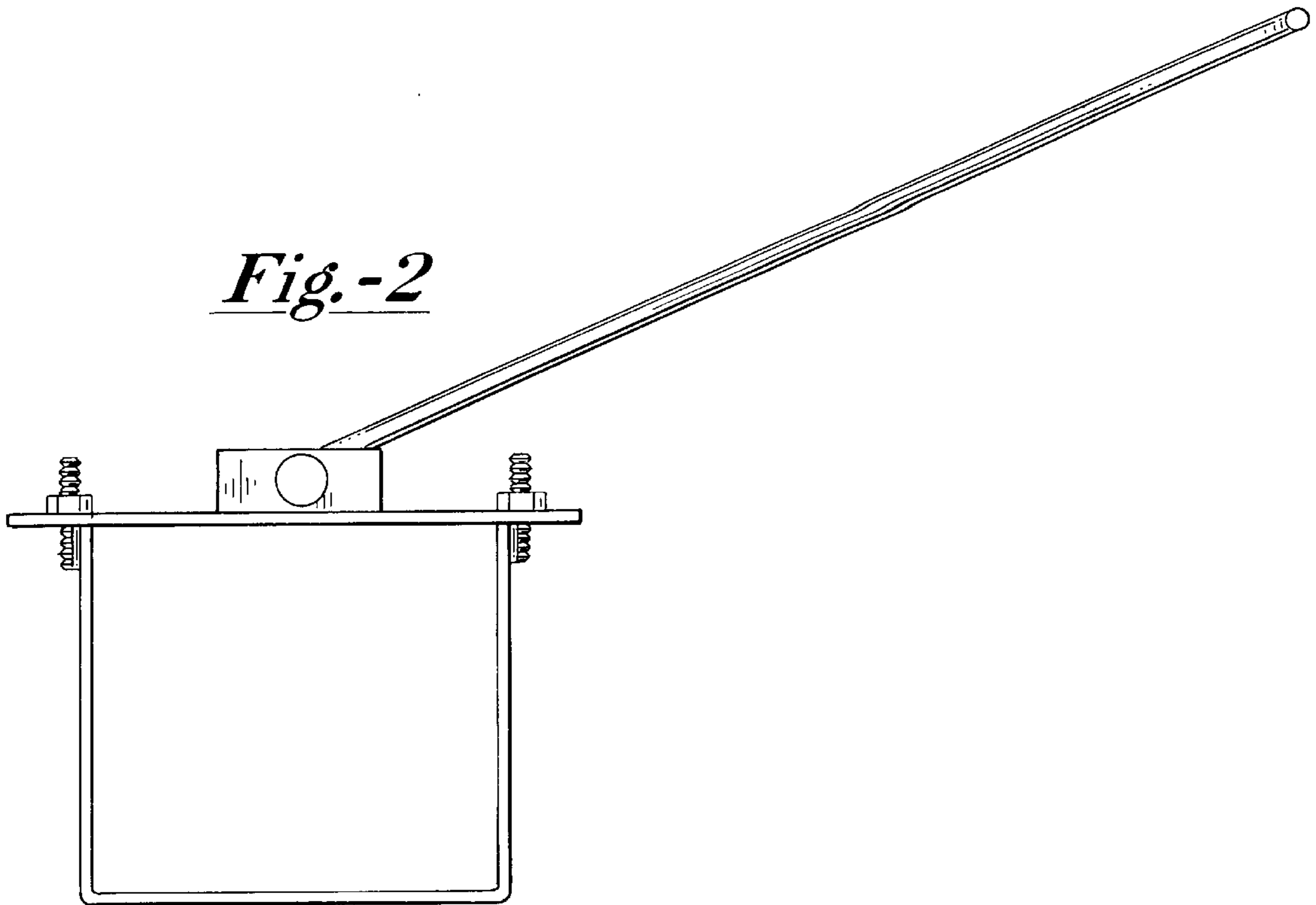


Fig.-3

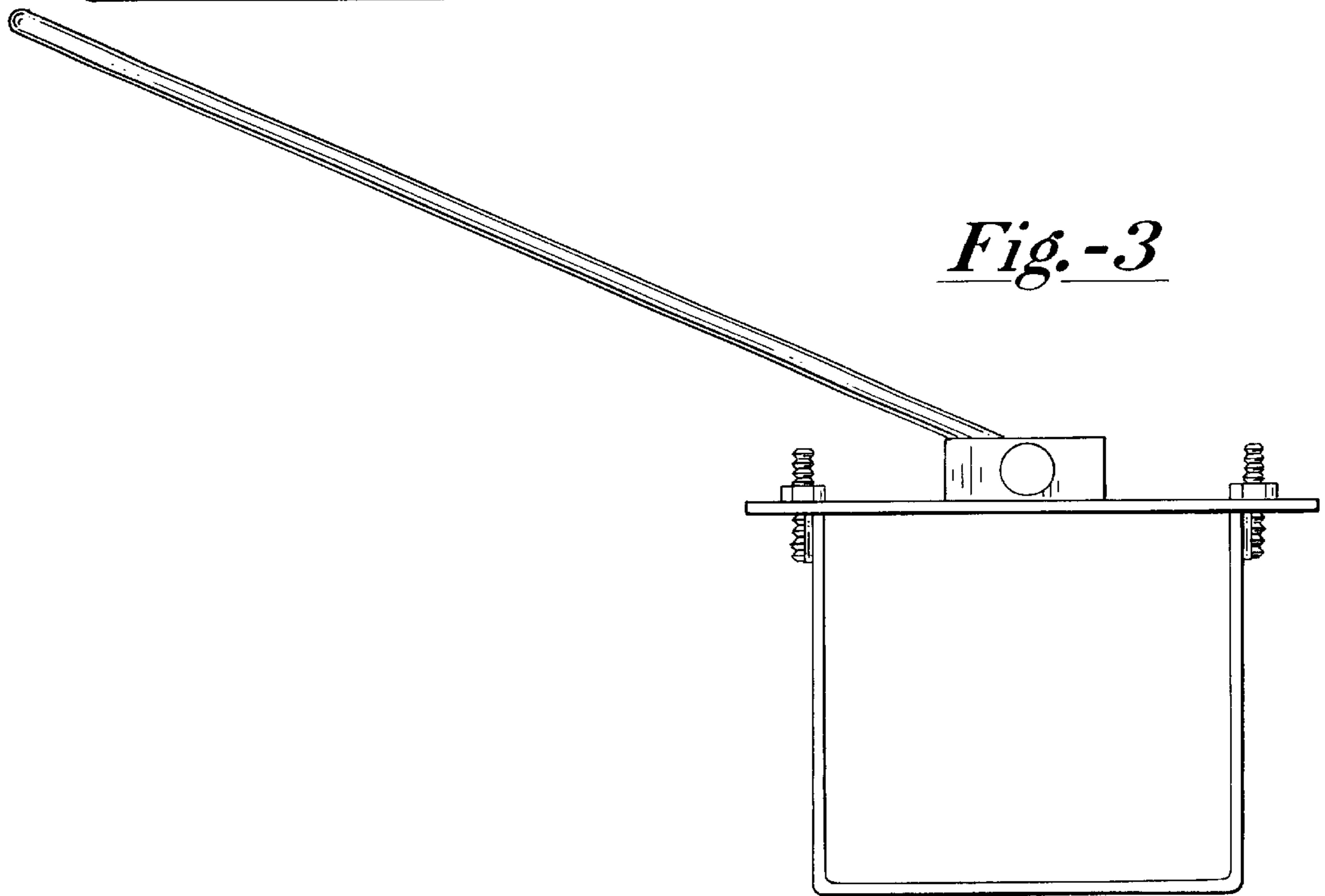


Fig.-4

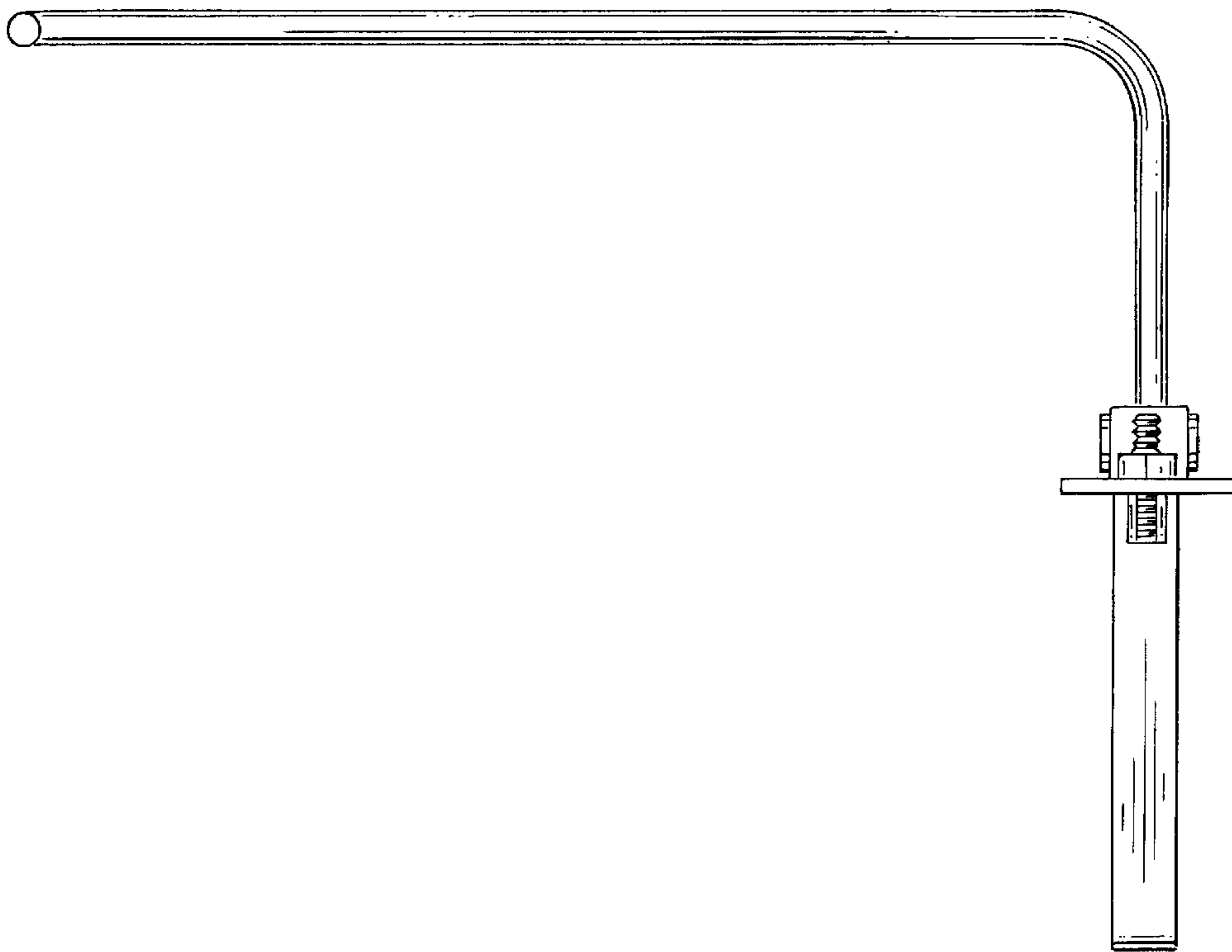


Fig.-5

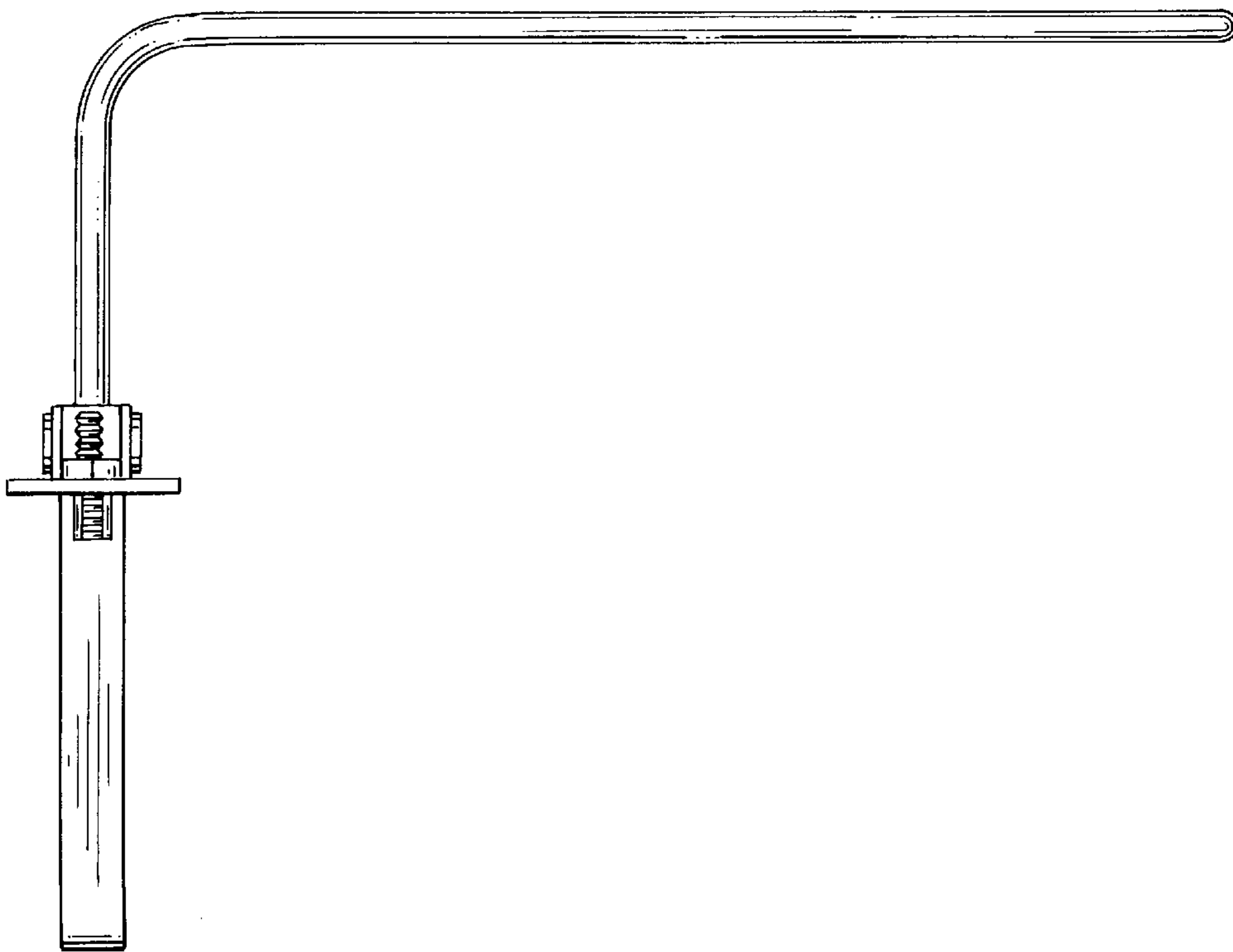


Fig.-6

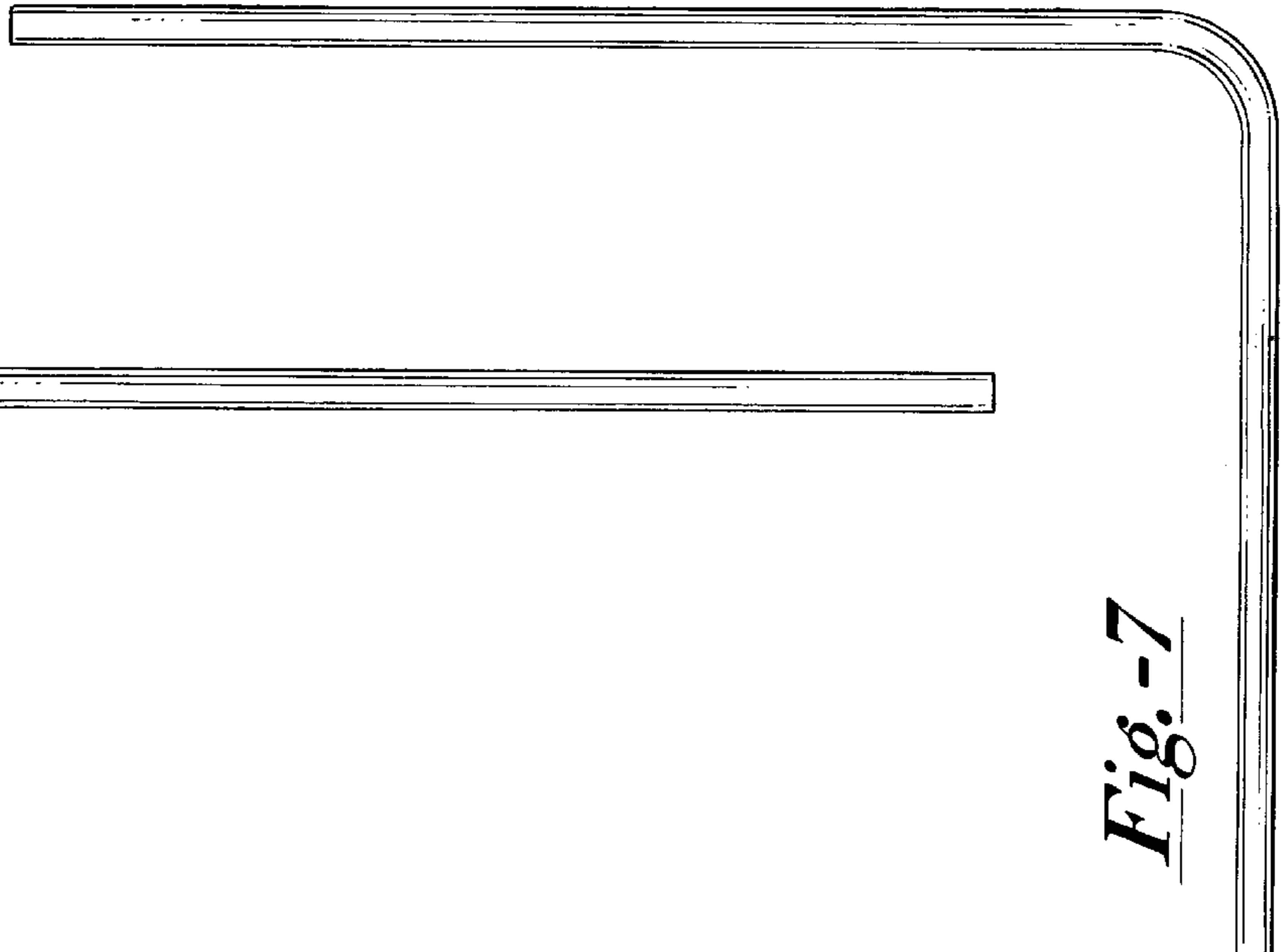
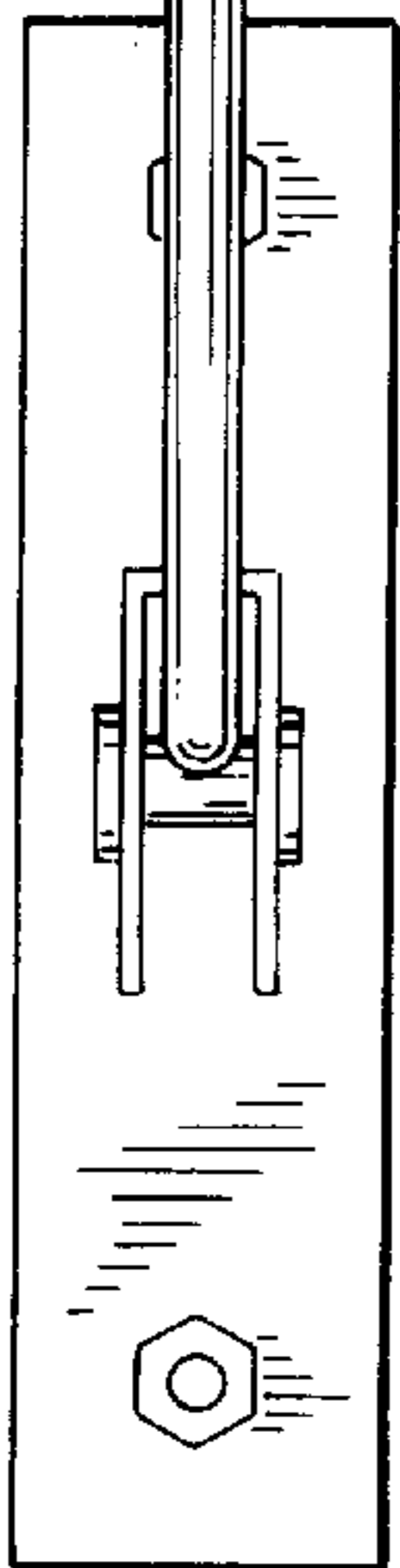


Fig.-7

