



US00D439504S

(12) **United States Design Patent**
Caveney

(10) **Patent No.:** **US D439,504 S**

(45) **Date of Patent:** **** Mar. 27, 2001**

(54) **CABLE MANAGEMENT RING**

(75) Inventor: **Jack E. Caveney**, Hinsdale, IL (US)

(73) Assignee: **Panduit Corp.**, Tinley Park, IL (US)

(**) Term: **14 Years**

(21) Appl. No.: **29/124,393**

(22) Filed: **Jun. 5, 2000**

(51) **LOC (7) Cl.** **08-05**

(52) **U.S. Cl.** **D8/356; D8/380; D8/395;**
D8/396

(58) **Field of Search** D8/356, 395, 396,
D8/380; 248/71, 74.2, 68.1, 220.43, 220.31

(56) **References Cited**

U.S. PATENT DOCUMENTS

- D. 387,652 * 12/1997 Carlson, Jr. D8/356
- D. 411,735 * 6/1999 Bernhard et al. D8/356
- D. 428,330 * 7/2000 Johnston et al. D8/396

3,991,960 * 11/1976 Tanaka .

5,868,362 * 2/1999 Daoud 248/71

* cited by examiner

Primary Examiner—B. J. Bullock

(74) *Attorney, Agent, or Firm*—Robert A. McCann

(57) **CLAIM**

The ornamental design for a cable management ring, as shown and described.

DESCRIPTION

FIG. 1 is a top perspective view of a cable management ring showing my new design;

FIG. 2 is a bottom perspective view thereof;

FIG. 3 is a right elevational view thereof;

FIG. 4 is a left elevational view thereof;

FIG. 5 is a top view thereof;

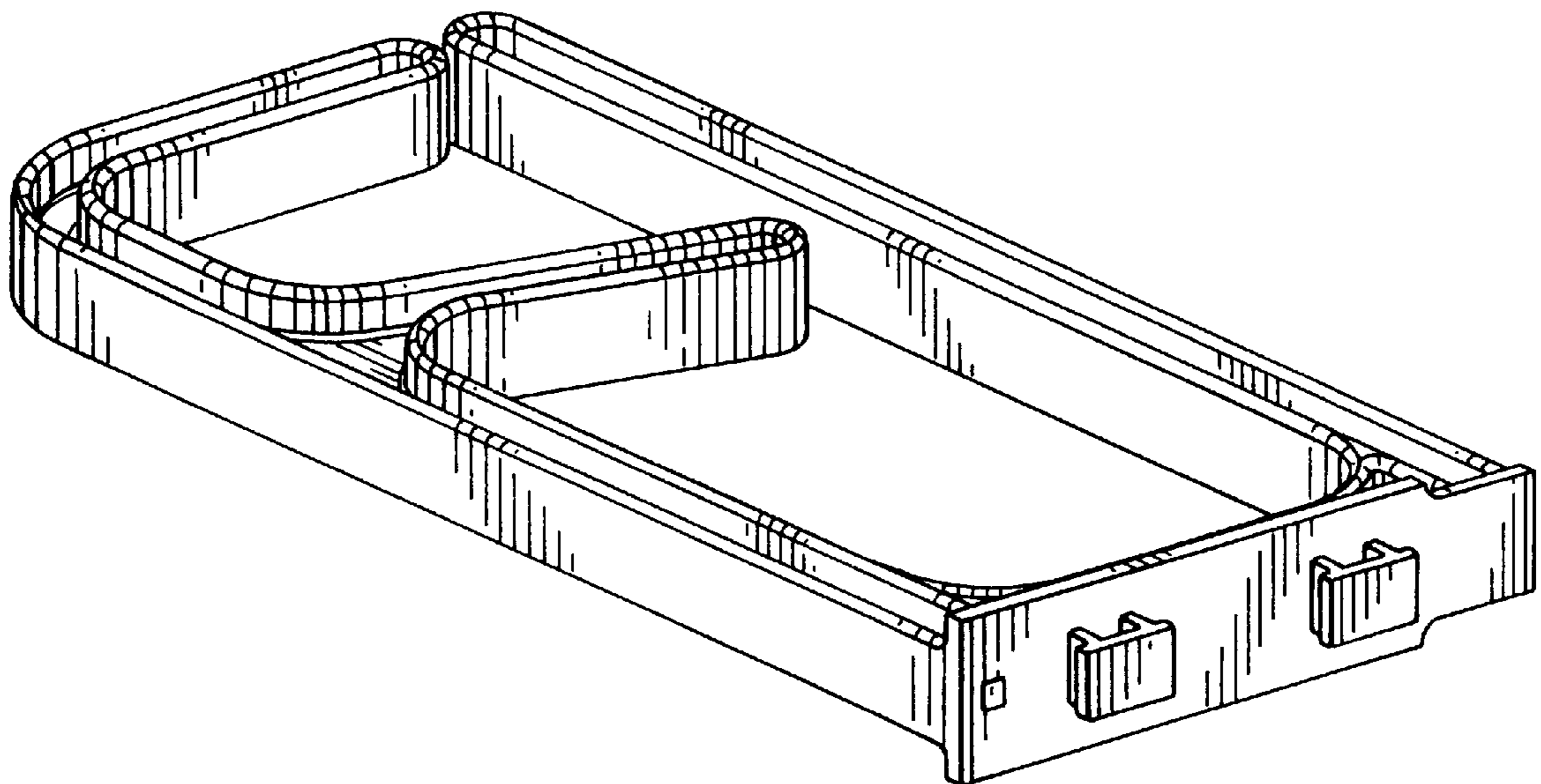
FIG. 6 is a bottom view thereof;

FIG. 7 is a front elevational view thereof;

FIG. 8 is a back elevational view thereof; and,

FIG. 9 is a perspective view of the cable management ring of FIG. 1 shown surrounding a bundle of wires which are shown in broken lines for illustrative purposes only and form no part of the claimed design.

1 Claim, 4 Drawing Sheets



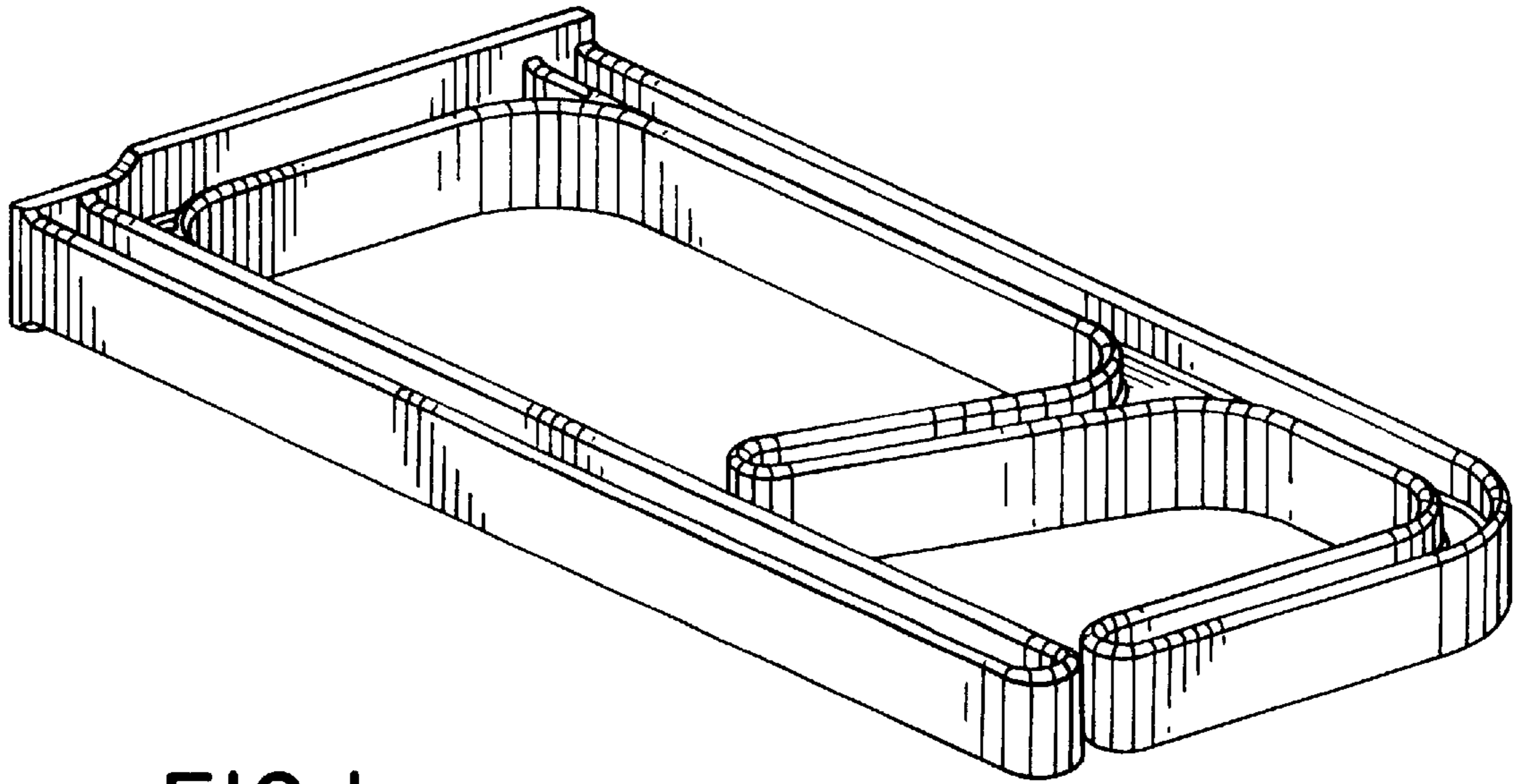


FIG. 1

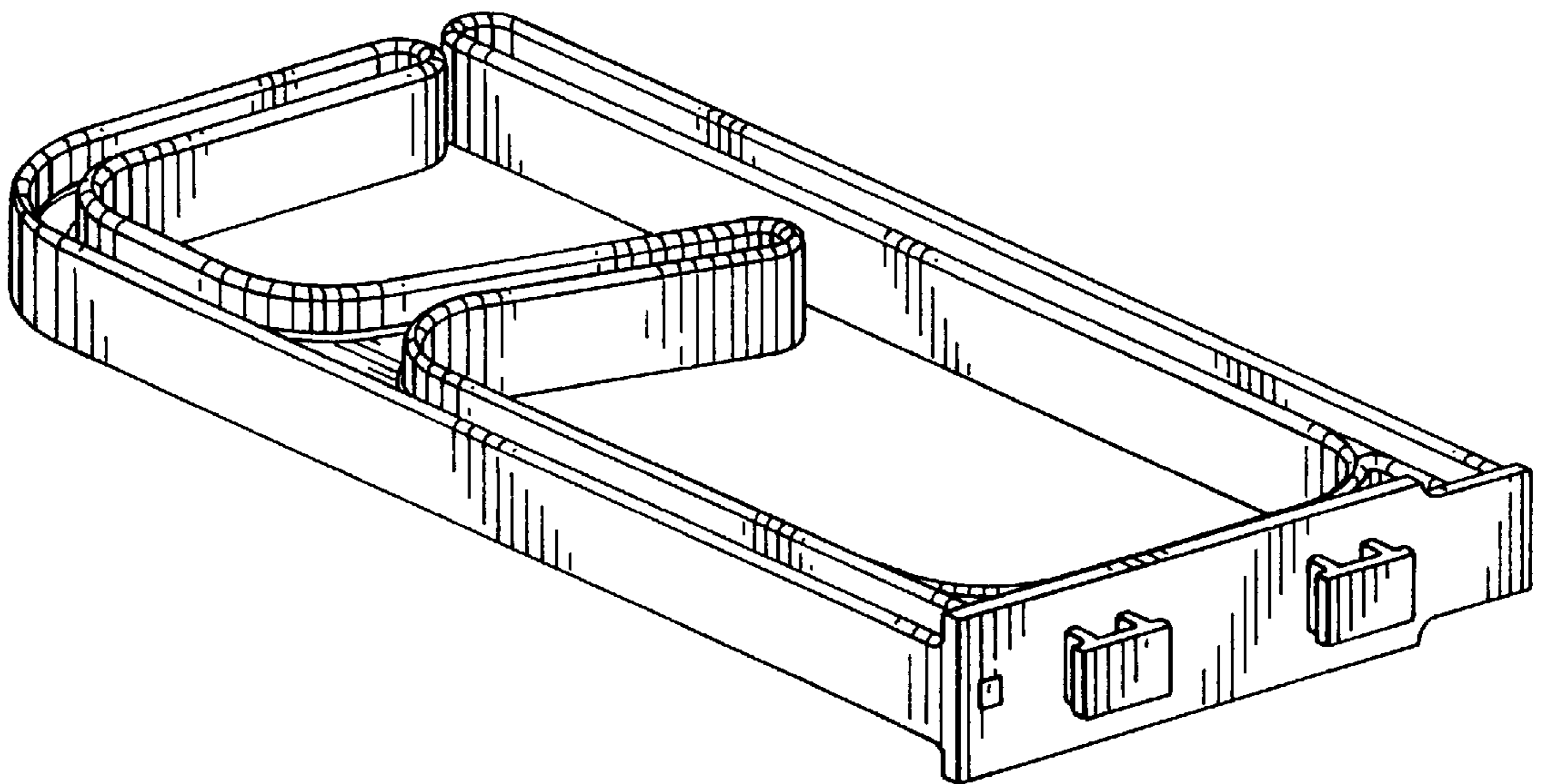


FIG. 2

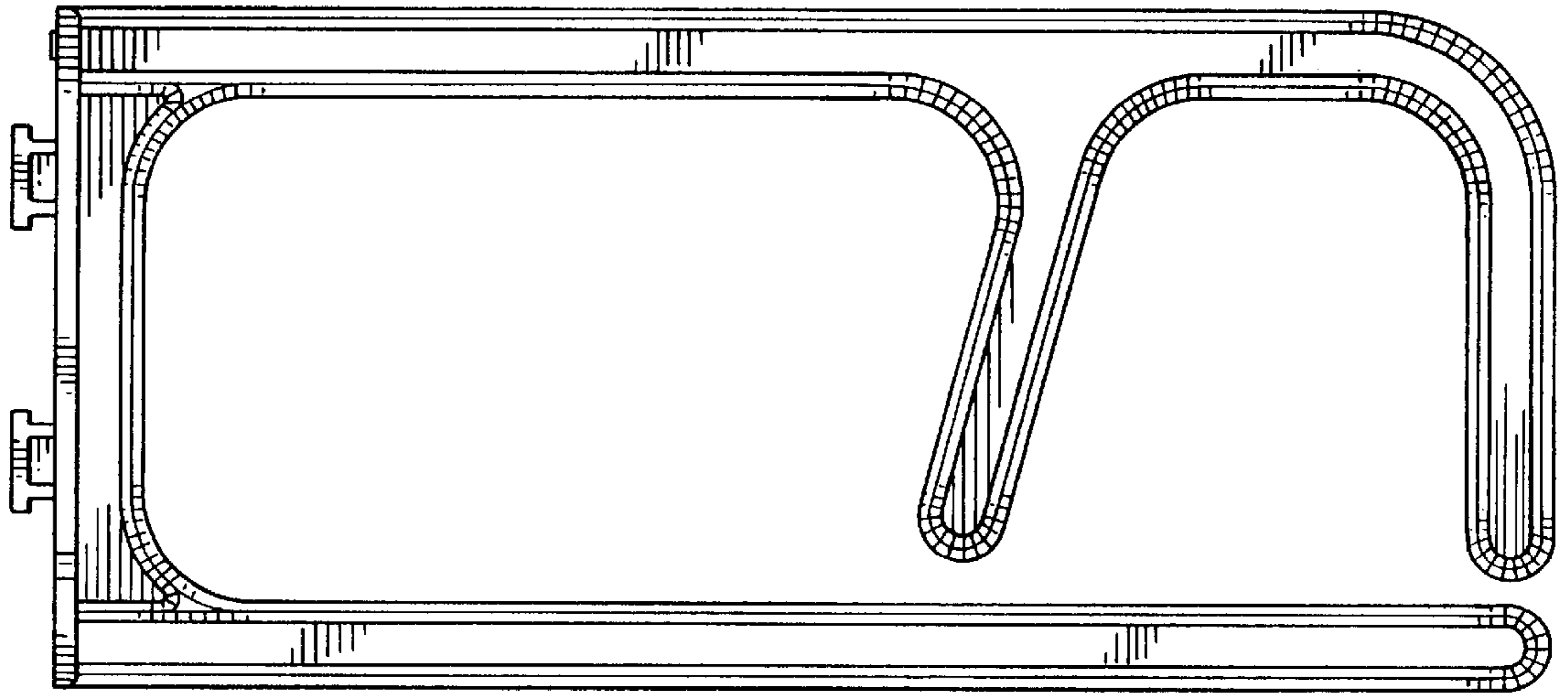


FIG. 3

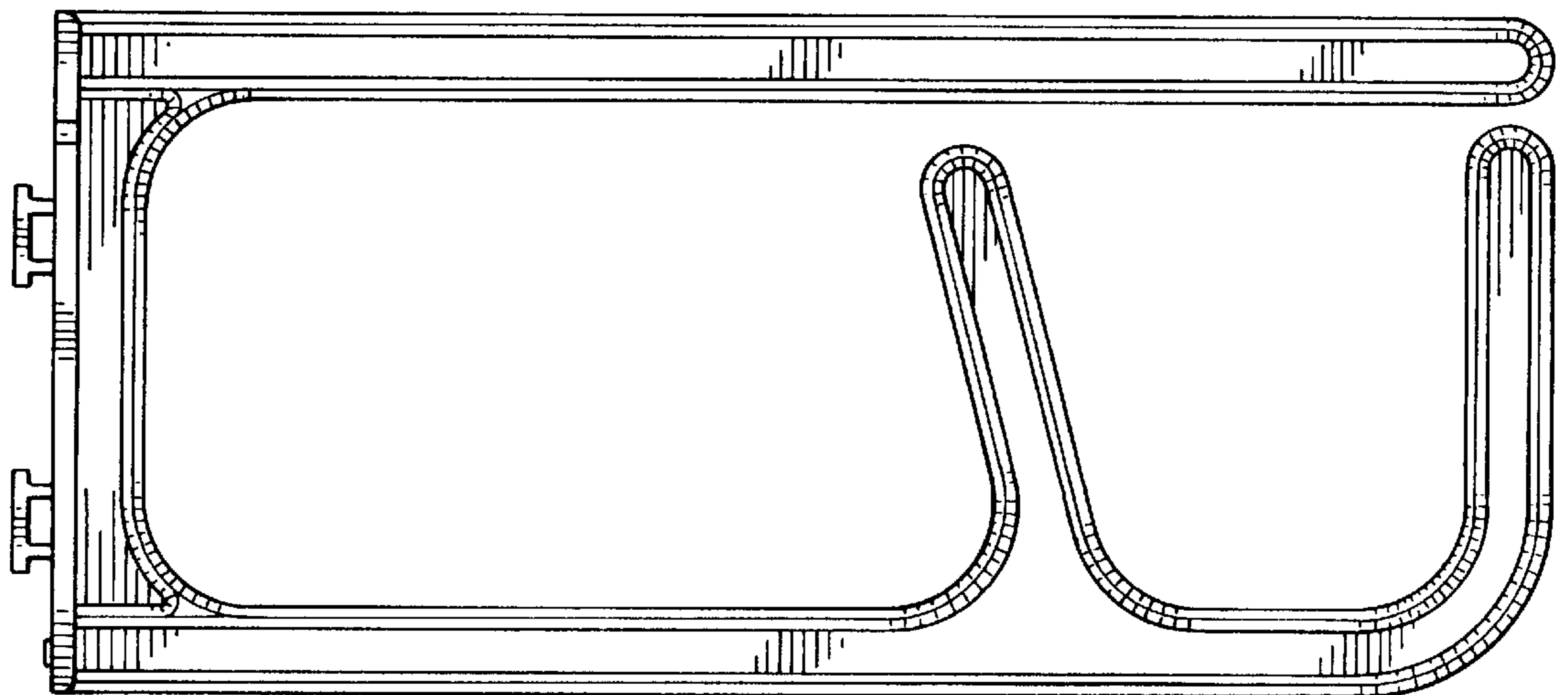


FIG. 4

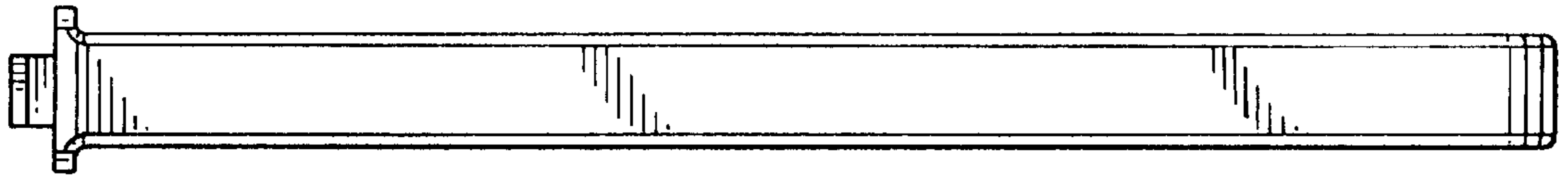


FIG. 5

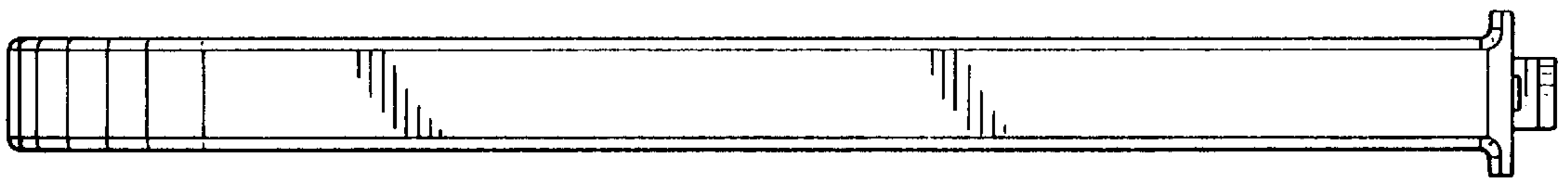


FIG. 6

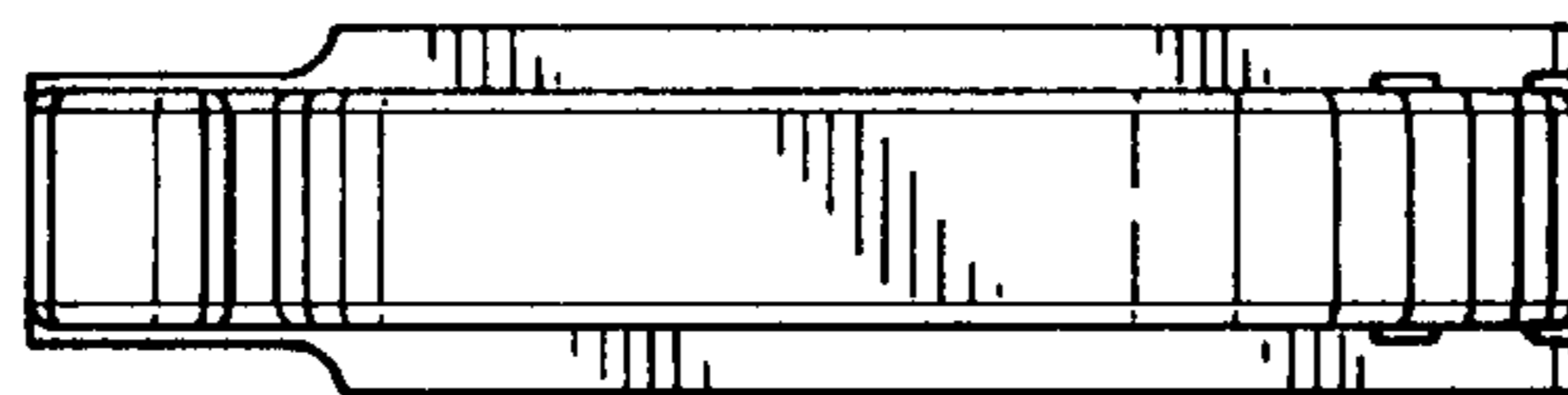


FIG. 7



FIG. 8

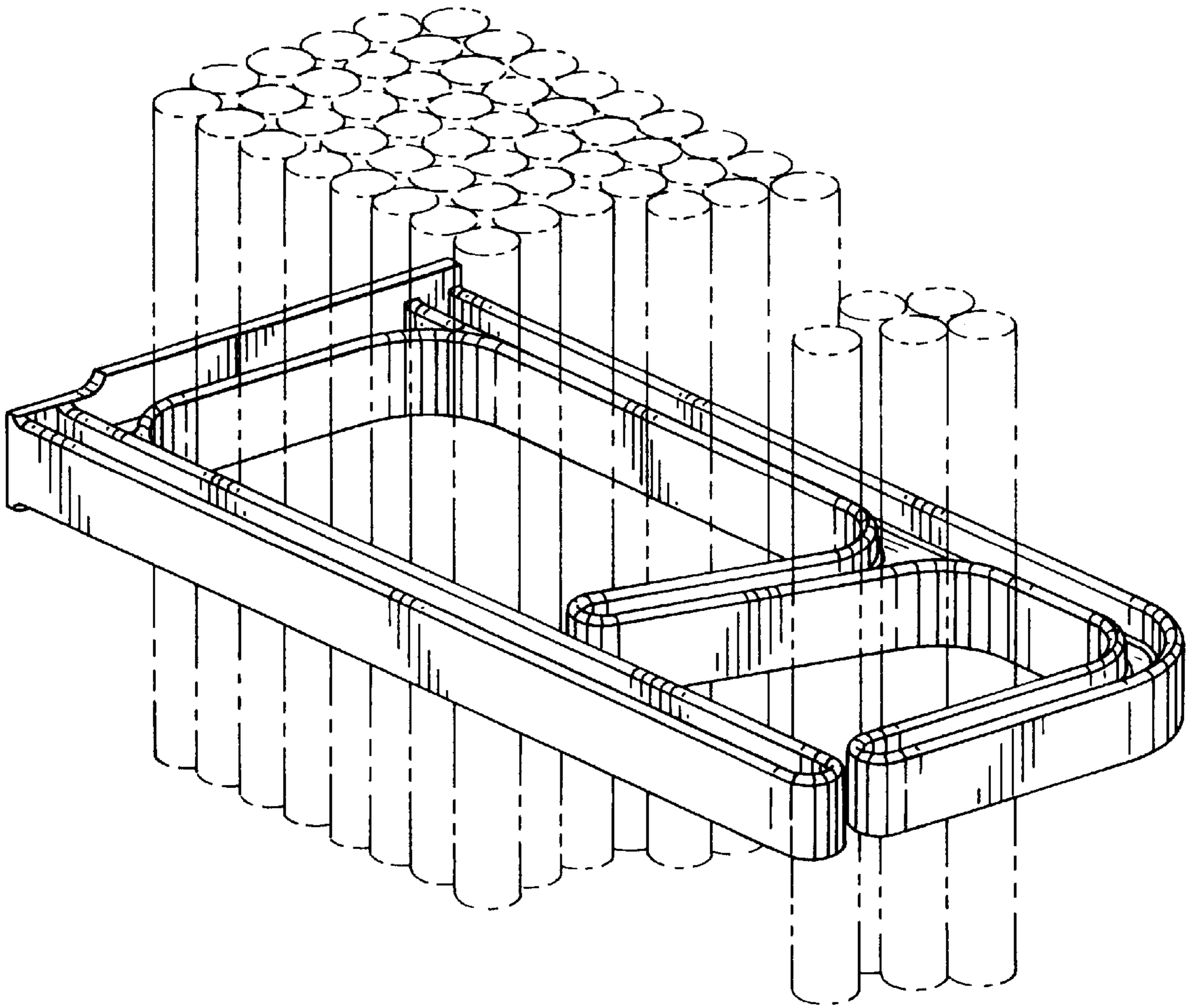


FIG. 9