



US00D439500S

(12) **United States Design Patent**
Mirick

(10) **Patent No.:** **US D439,500 S**

(45) **Date of Patent:** **** Mar. 27, 2001**

(54) **KEY HANDLE LATCH PLATE**

(75) **Inventor:** **Lawrence T. Mirick**, Manhattan Beach, CA (US)

(73) **Assignee:** **S.P.E.P. Acquisition Corporation**, Rancho Dominguez, CA (US)

(**) **Term:** **14 Years**

(21) **Appl. No.:** **29/109,565**

(22) **Filed:** **Aug. 17, 1999**

(51) **LOC (7) Cl.** **11-05**

(52) **U.S. Cl.** **D8/352; D8/306**

(58) **Field of Search** D8/301, 302, 306, D8/352, 336, 338, 337; 292/336.3, DIG. 2, DIG. 31; 70/208, 210

(56) **References Cited**

U.S. PATENT DOCUMENTS

- D. 119,418 * 3/1940 Anderson et al. .
- D. 192,958 * 6/1962 Benson .
- D. 265,968 * 8/1982 Bergin D8/352
- D. 323,776 * 2/1992 Hansen D8/338
- D. 328,231 * 7/1992 Hansen D8/306
- 2,666,319 * 1/1954 Price .

- 3,389,932 * 6/1968 Pastva, Jr. .
- 4,706,478 * 11/1987 Swan et al. 70/208
- 5,015,019 * 5/1991 Razdolsky 70/208
- 5,904,385 * 5/1999 Linder 292/336.3
- 5,913,908 * 6/1999 Czipri 70/208

* cited by examiner

Primary Examiner—B. J. Bullock

(74) *Attorney, Agent, or Firm*—Cislo & Thomas LLP

(57) **CLAIM**

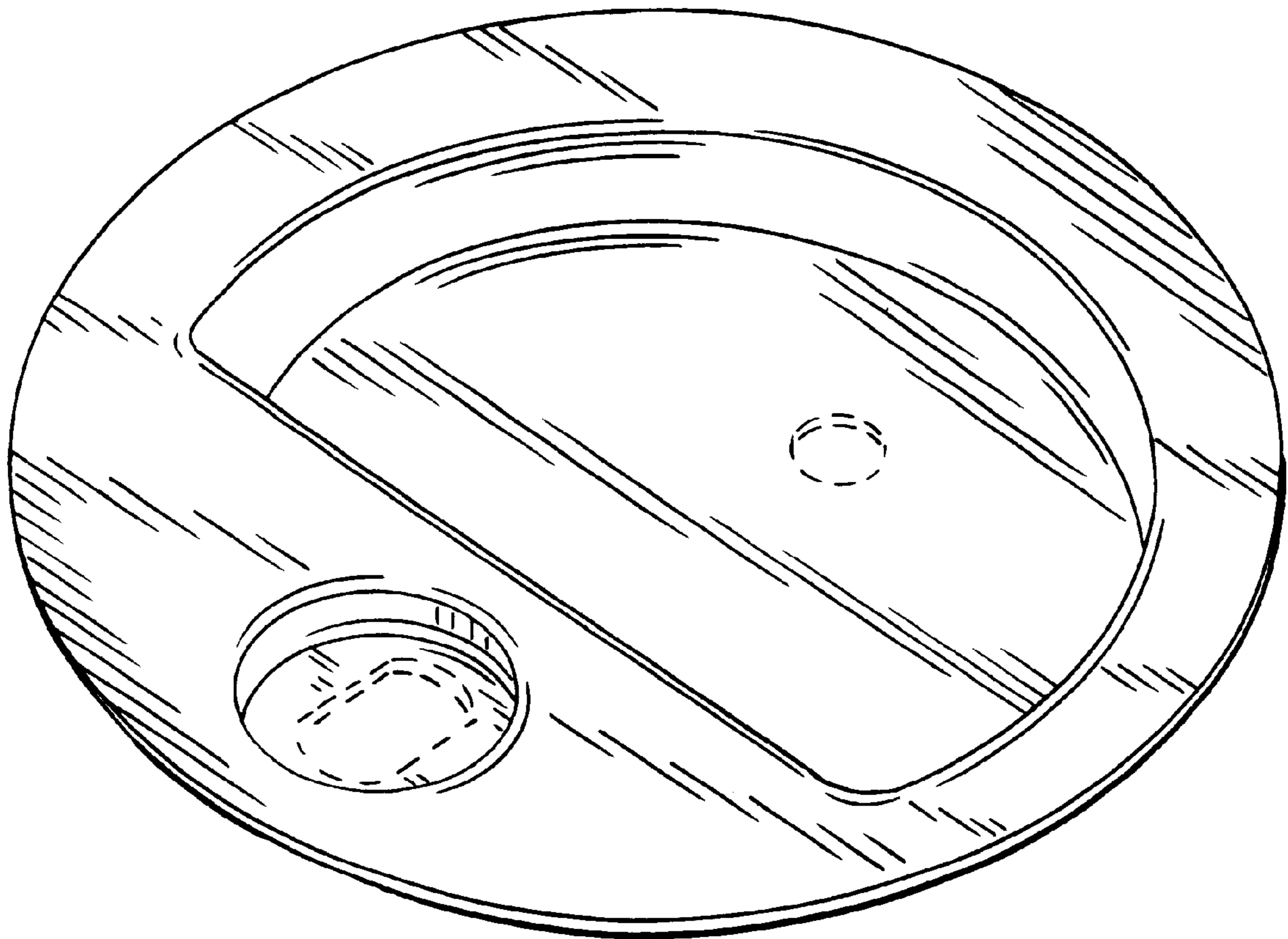
The ornamental design for a key handle latch plate, as shown and described.

DESCRIPTION

FIG. 1. Is a perspective view of my key handle latch plate;
 FIG. 2. Is a front view thereof;
 FIG. 3. Is a rear view thereof;
 FIG. 4. Is a left side elevational view thereof, the right side view thereof being substantially symmetrical hereto;
 FIG. 5. Is a top view thereof; and,
 FIG. 6. Is a bottom view thereof.

The broken lines shown in the above-mentioned drawings are for illustrative purposes only and are not intended to form part of the claimed design.

1 Claim, 2 Drawing Sheets



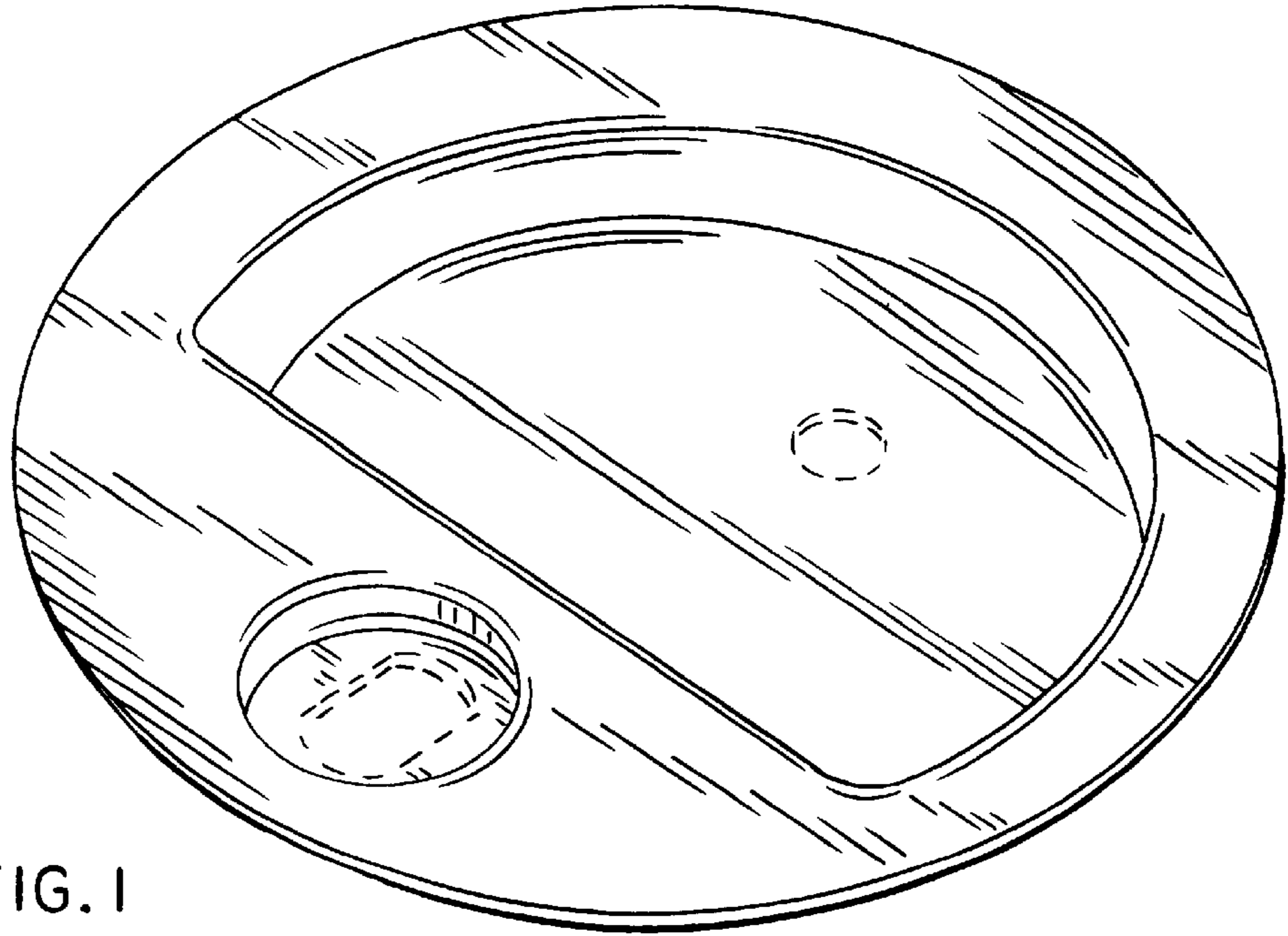


FIG. 1

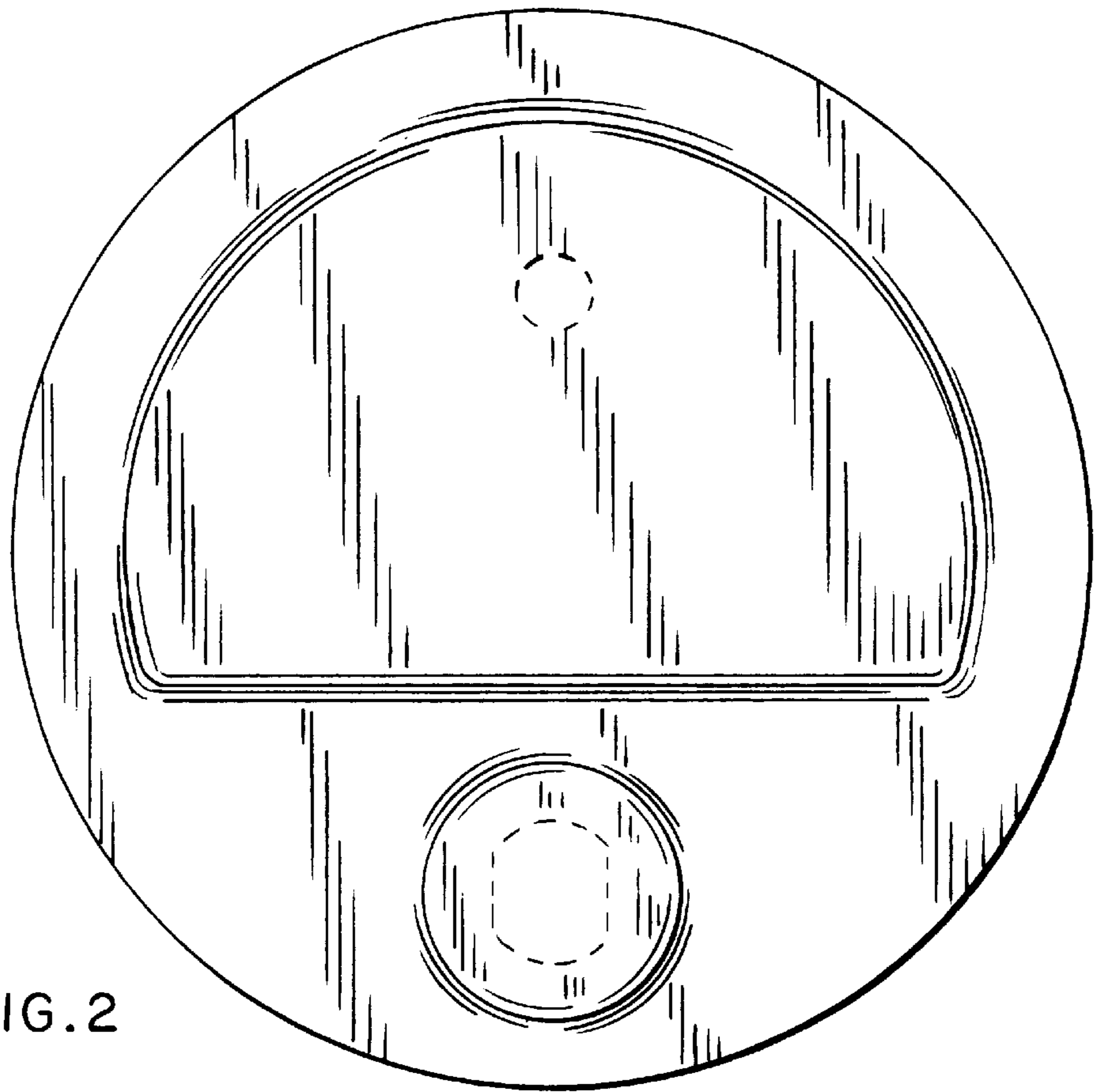


FIG. 2

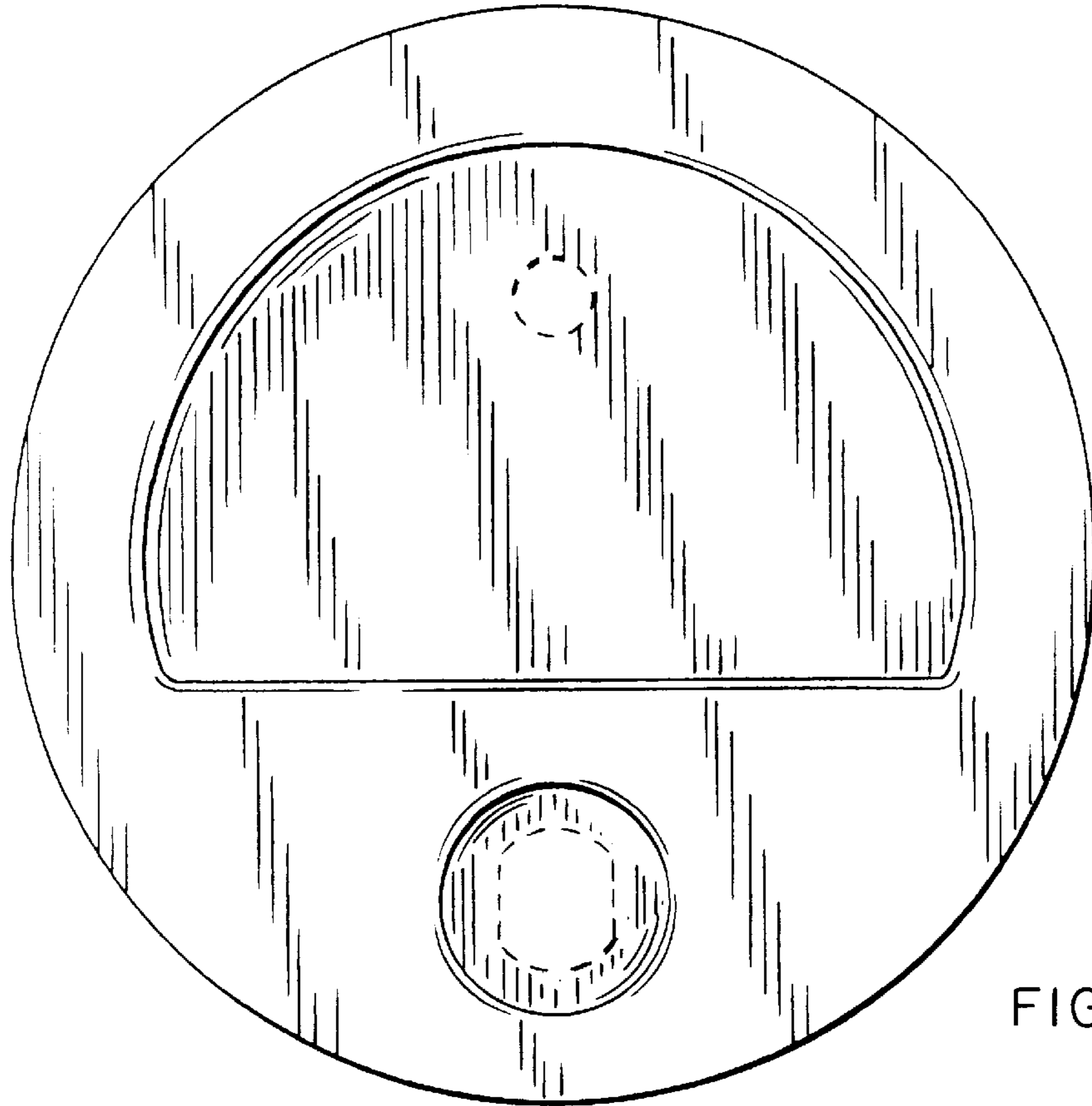


FIG. 3

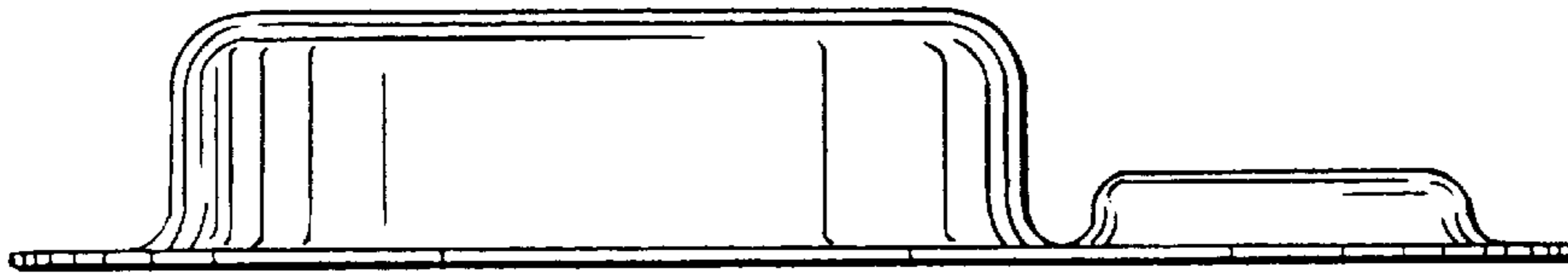


FIG. 4

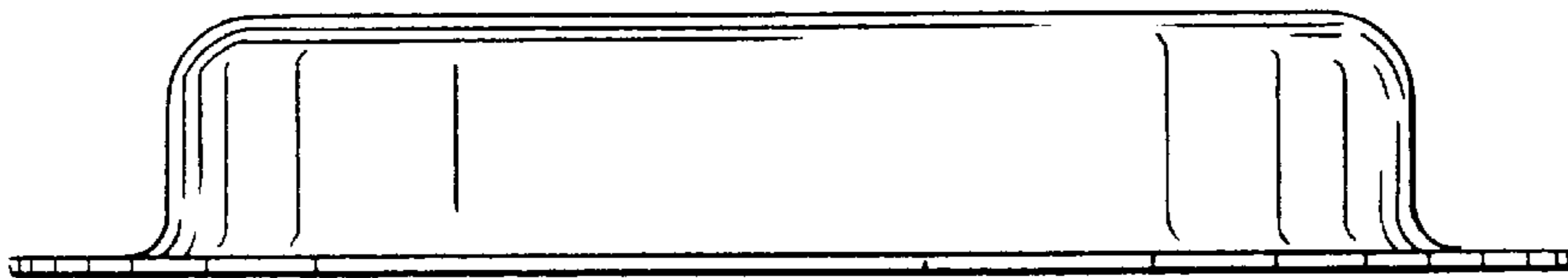


FIG. 5

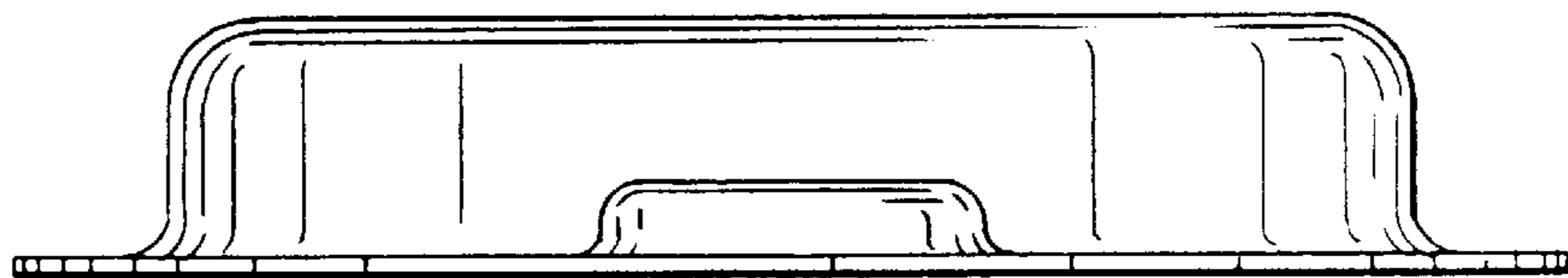


FIG. 6