



US00D439498S

(12) **United States Design Patent**
Hennig

(10) **Patent No.:** **US D439,498 S**

(45) **Date of Patent:** **** Mar. 27, 2001**

(54) **LOCK FOR STEREOTACTIC INSTRUMENT**

5,904,691 * 5/1999 Barnett et al. 606/130

(75) Inventor: **Rune Hennig**, Tromsø (NO)

* cited by examiner

(73) Assignee: **Elekta IGS, SA**, Gieres (FR)

Primary Examiner—Susan J. Lucas

Assistant Examiner—Jennifer Rivard

(**) Term: **14 Years**

(74) *Attorney, Agent, or Firm*—Finnegan, Henderson, Farabow, Garrett & Dunner, L.L.P.

(21) Appl. No.: **29/090,882**

(57) **CLAIM**

(22) Filed: **Jul. 17, 1998**

The ornamental design for lock for stereotactic instrument, as shown and described.

(30) **Foreign Application Priority Data**

DESCRIPTION

Jan. 20, 1998 (NO) 980042

(51) **LOC (7) Cl.** **08-07**

(52) **U.S. Cl.** **D8/331; D24/140**

(58) **Field of Search** D8/330, 331, 336,
D8/339, 342, 343; D24/133, 140; 606/130,
142; 607/116

FIG. 1 is a perspective view of the top of a lock for stereotactic instrument showing my new design;

FIG. 2 is a perspective view of the bottom of the instrument of FIG. 1;

FIG. 3 is an exploded bottom perspective view of the instrument of FIG. 1; and,

FIG. 4 is an exploded top perspective view of the instrument of FIG. 1.

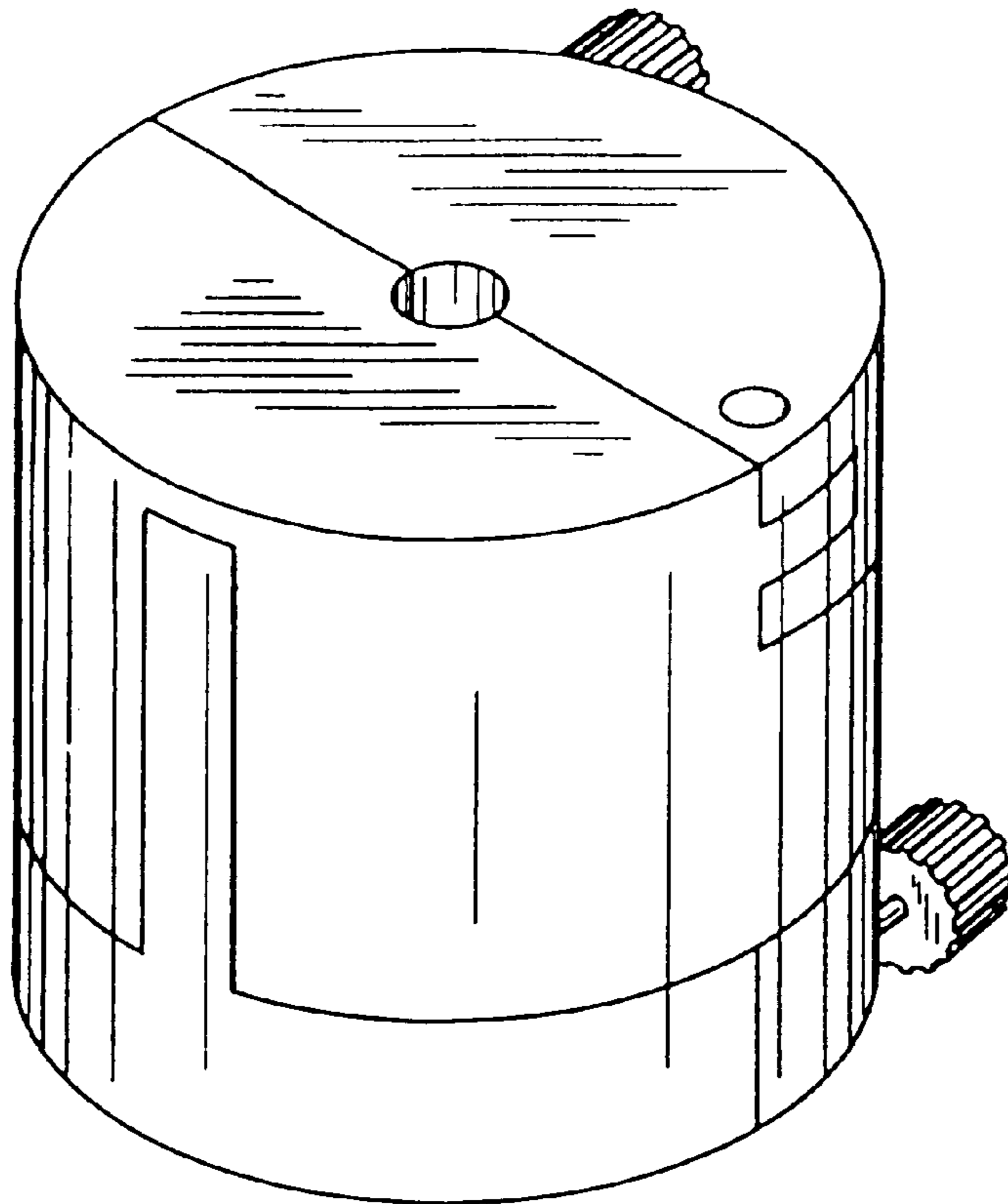
(56) **References Cited**

The surfaces or portions of the instrument not shown in the drawing or described in the specification form no part of the claimed design.

U.S. PATENT DOCUMENTS

- D. 292,021 * 9/1987 Stooll D24/140
- 5,803,649 * 8/1998 Hoogeboom 606/142
- 5,865,842 * 2/1999 Knuth et al. 607/116

1 Claim, 3 Drawing Sheets



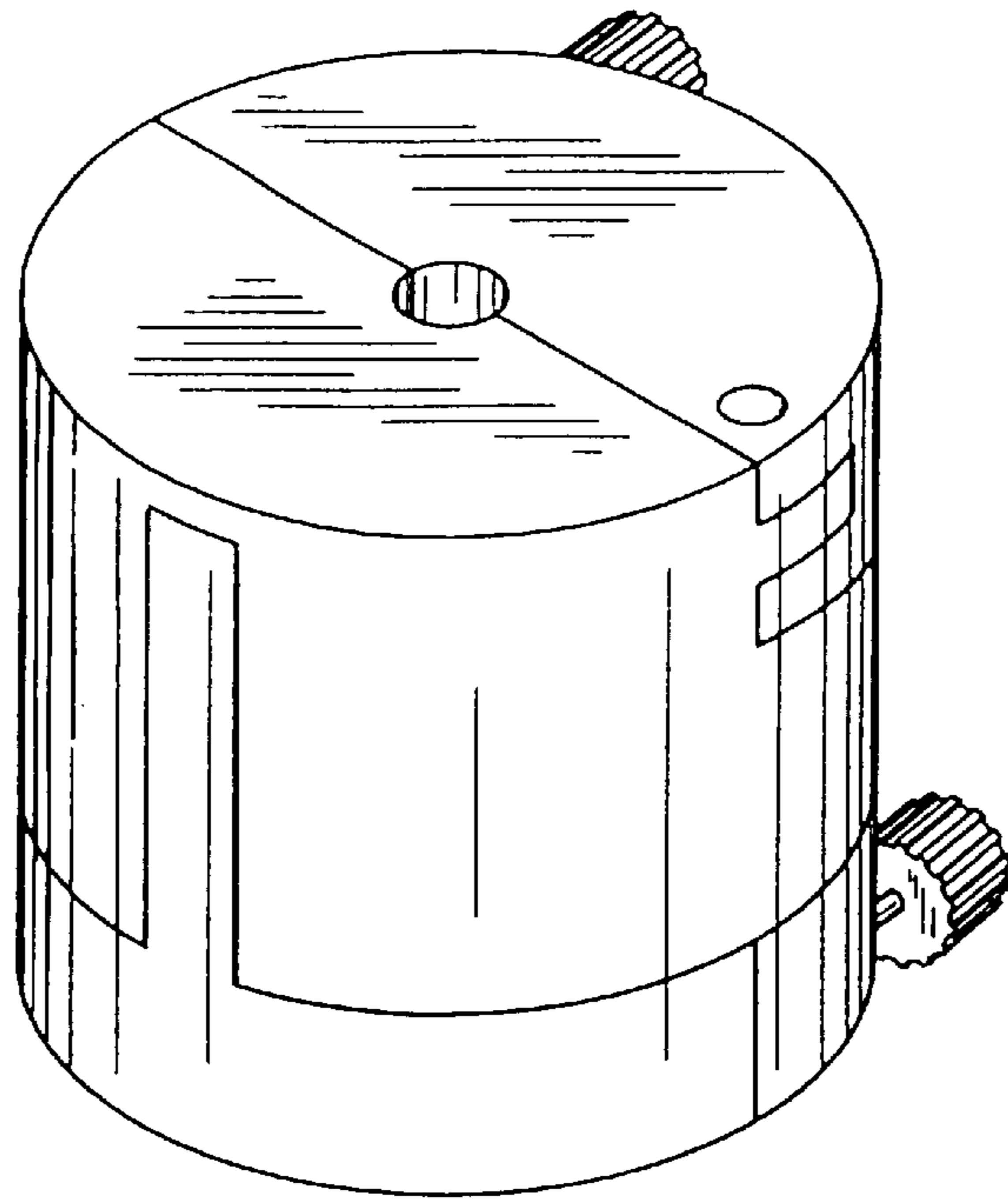


FIG. 1

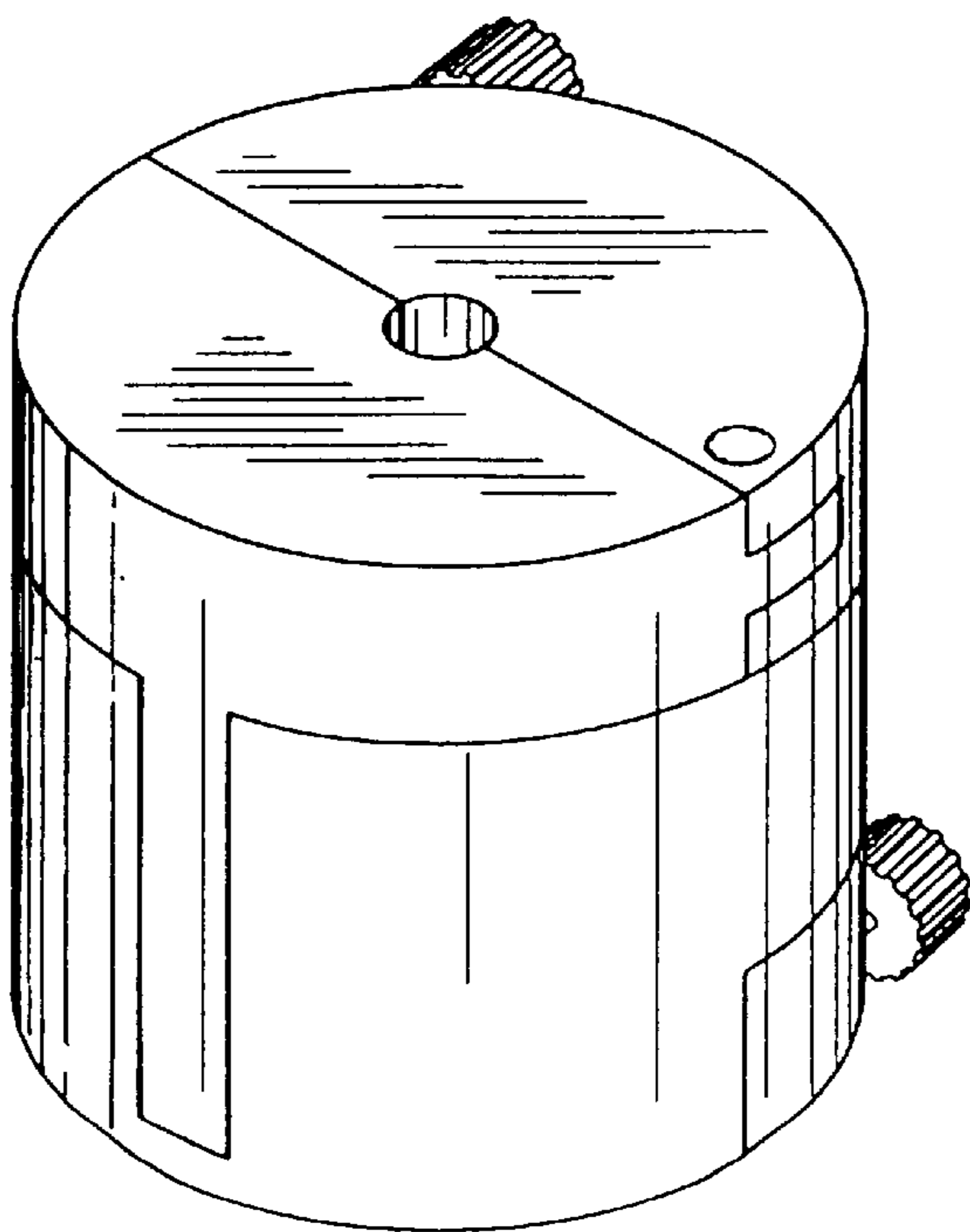


FIG. 2

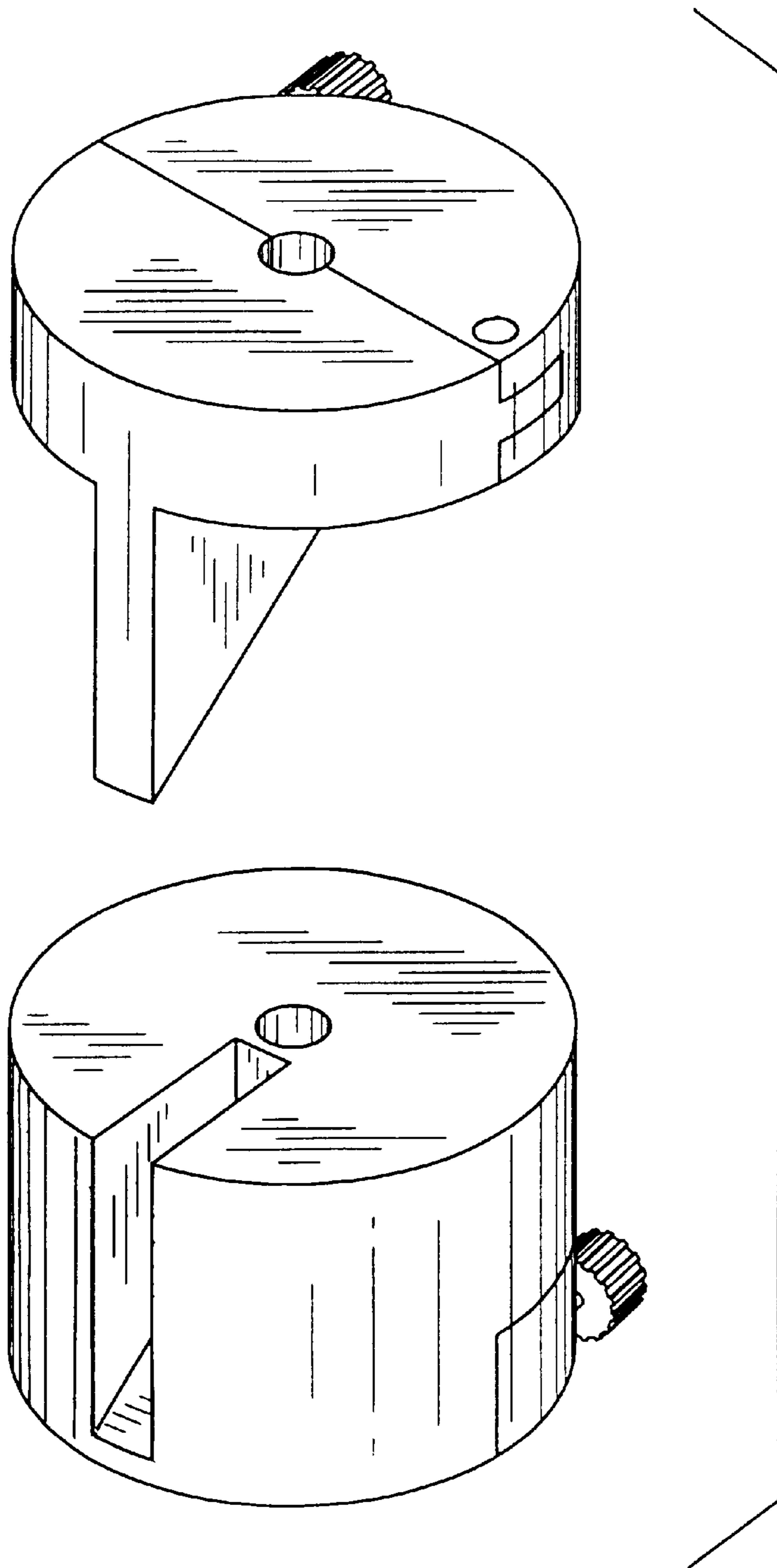


FIG. 3

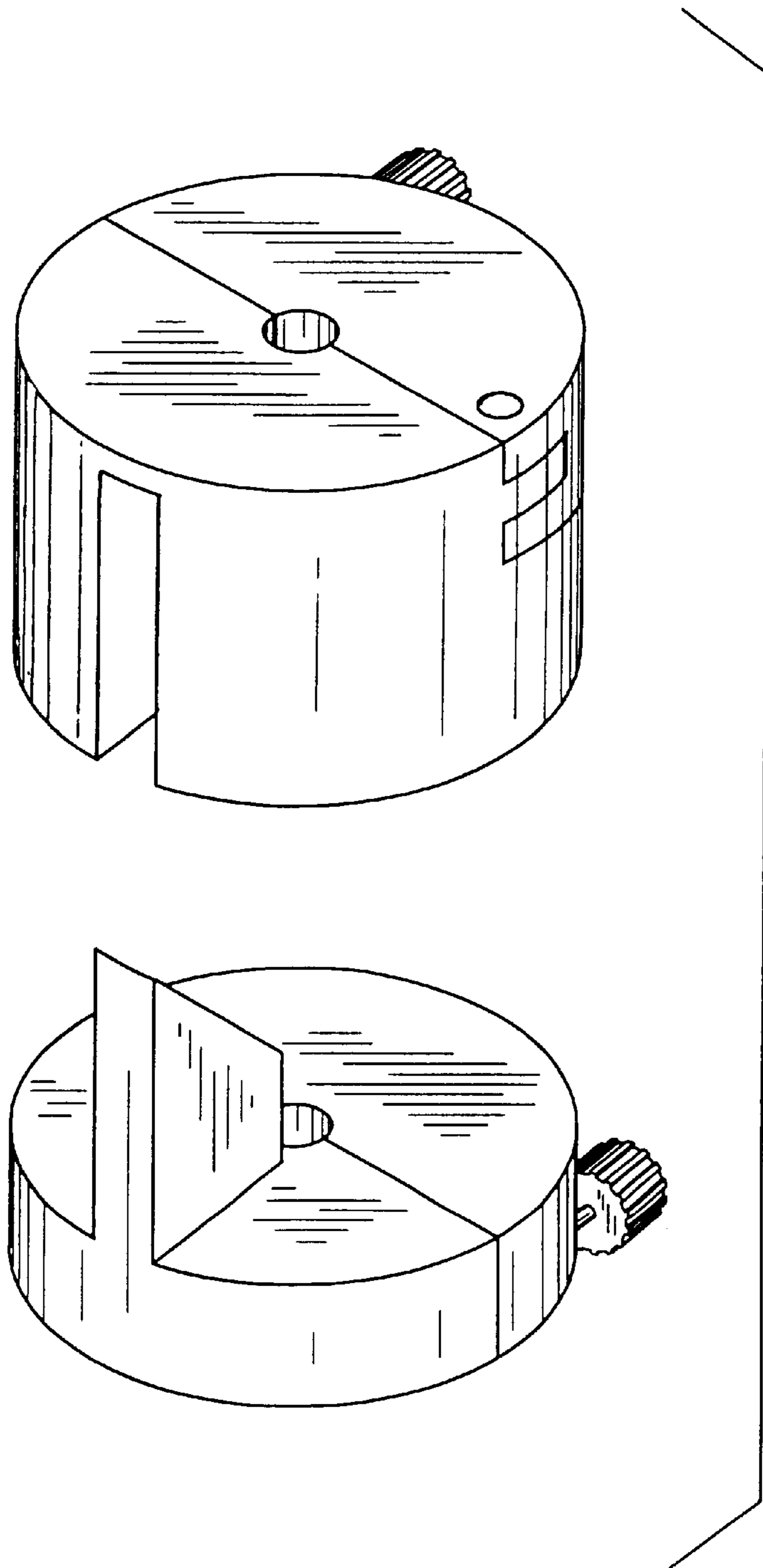


FIG. 4