



US00D439496S

(12) **United States Design Patent**
Stevens et al.

(10) **Patent No.:** **US D439,496 S**

(45) **Date of Patent:** **** Mar. 27, 2001**

(54) **TAB AND LATCH COMBINATION FOR SECURING WINDOW SCREENS TO A WINDOW FRAME**

(75) Inventors: **Wayne Jeffrey Stevens**, Alliston; **Douglas H. Wylie**, King City; **Samuel Kim Hung**, Toronto, all of (CA)

(73) Assignee: **Bayform, division of Bay Mills, Ltd.**, Weston (CA)

(**) Term: **14 Years**

(21) Appl. No.: **29/119,023**

(22) Filed: **Feb. 22, 2000**

(51) **LOC (7) Cl.** **08-07**

(52) **U.S. Cl.** **D8/330; D8/400**

(58) **Field of Search** D8/330, 331, 400, D8/343, 344; 292/DIG. 20, DIG. 35, 202, 212; 160/369, 368.1

(56) **References Cited**

U.S. PATENT DOCUMENTS

D. 375,248	*	11/1996	Bryant	D8/344
2,285,728	*	6/1942	Leinen	292/212
4,044,813	*	8/1977	Emmons	160/369
5,992,498	*	11/1999	Boston	160/368.1 X

* cited by examiner

Primary Examiner—Susan J. Lucas
Assistant Examiner—Jennifer Rivard

(74) *Attorney, Agent, or Firm*—Duane, Morris & Heckscher LLP

(57) **CLAIM**

The ornamental design for a tab and latch combination for securing window screens to a window frame, as shown and described.

DESCRIPTION

FIG. 1 is a front perspective view of a latch portion for securing window screens to a window frame showing our new design;

FIG. 2 is a back view of the latch portion of FIG. 1;

FIG. 3 is a top plan view of the latch portion of FIG. 1;

FIG. 4 is a right side elevational view of the latch portion of FIG. 1;

FIG. 5 is a front perspective view of a tab portion for securing window screens to a window frame showing our new design; and

FIG. 6 is a top plan view of the tab portion of FIG. 5;

FIG. 7 is a front elevational view of the tab portion of FIG. 5;

FIG. 8 is a top plan view of the tab portion of FIG. 5;

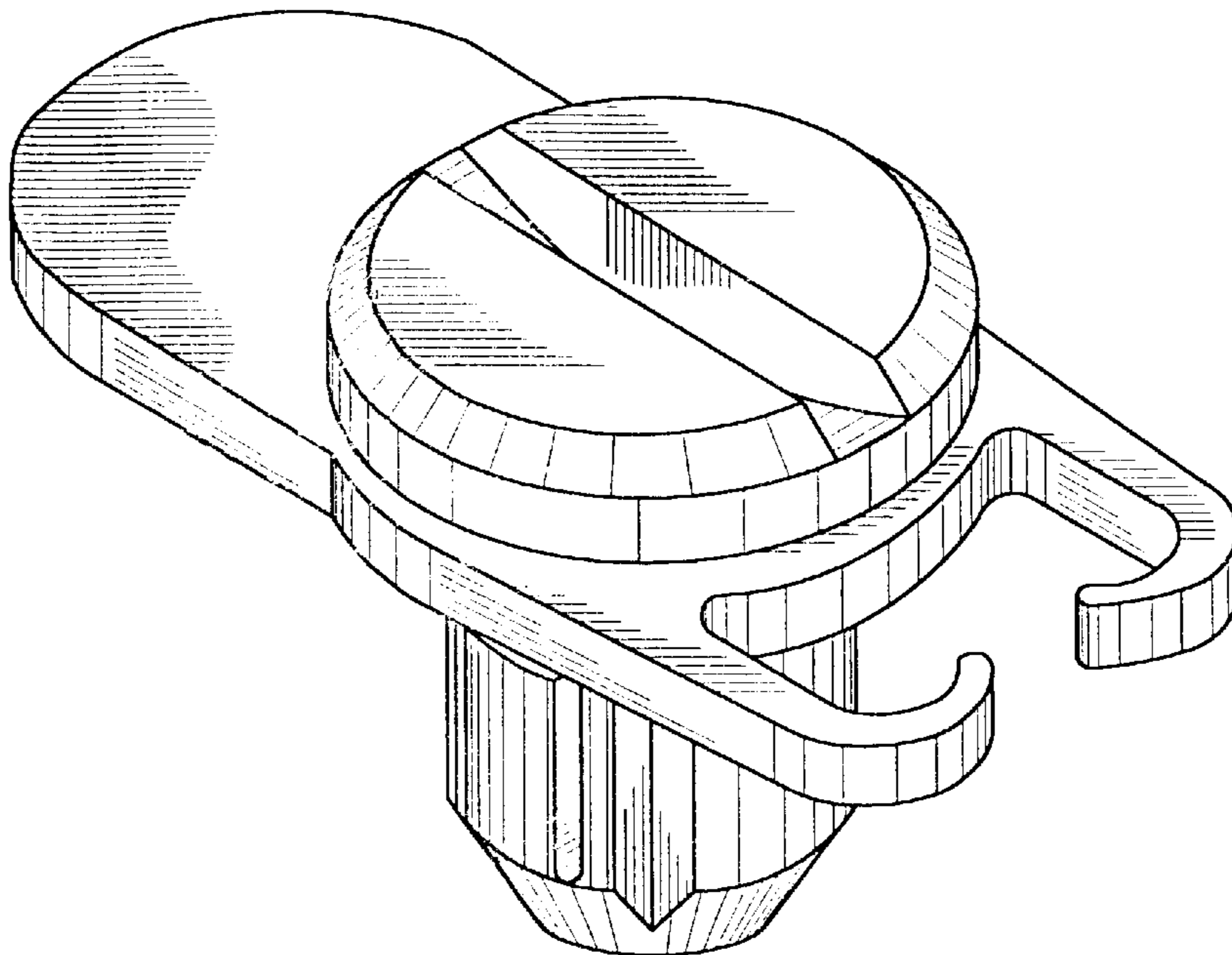
FIG. 9 is a right side elevational view of the tab portion of FIG. 5;

FIG. 10 is a front perspective view of the tab and latch combination; and,

FIG. 11 is a bottom perspective view of the tab and latch combination.

The latch and tab portions of the design are shown separately for convenience of illustration.

1 Claim, 5 Drawing Sheets



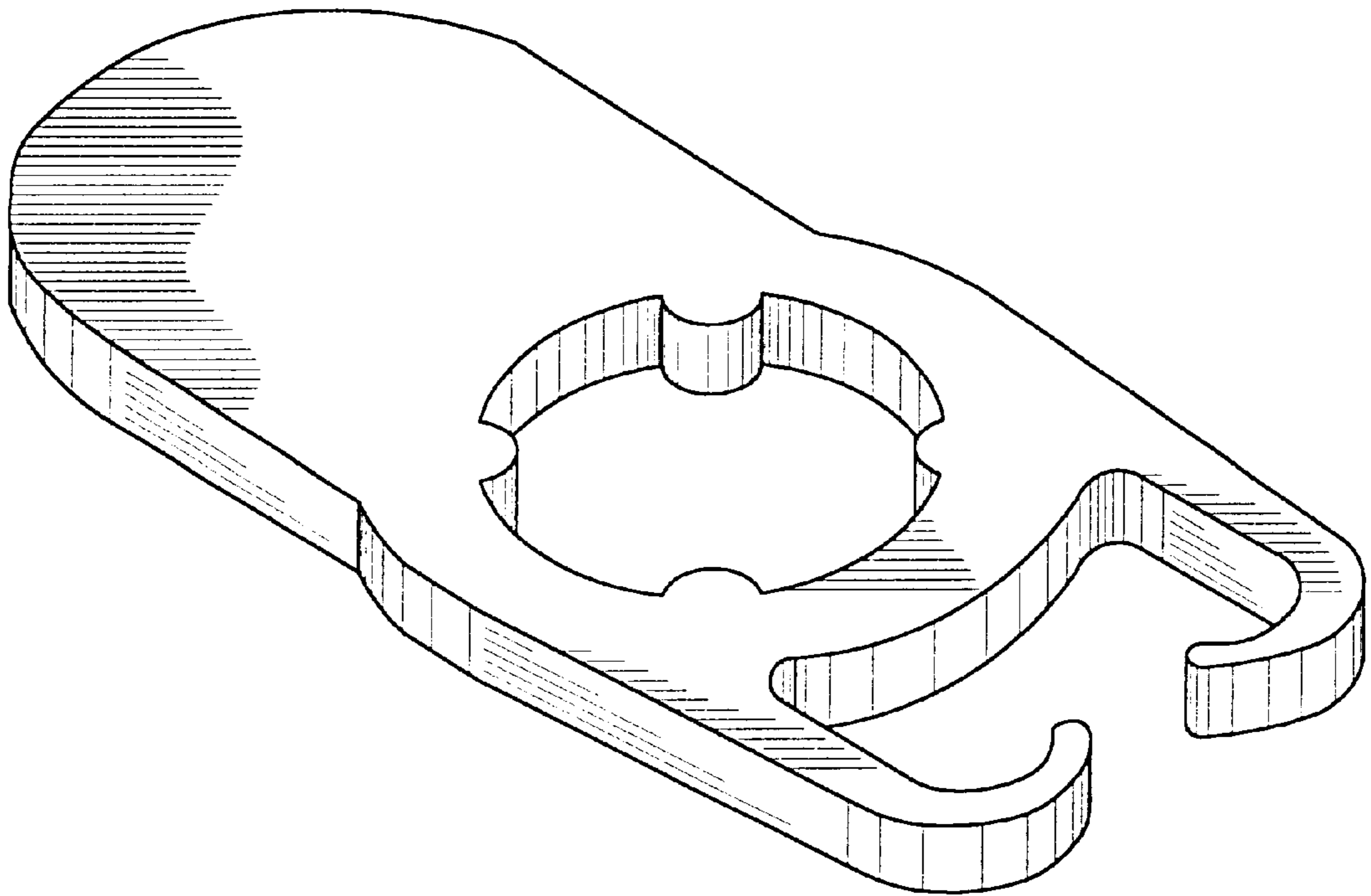


FIG. 1



FIG. 2

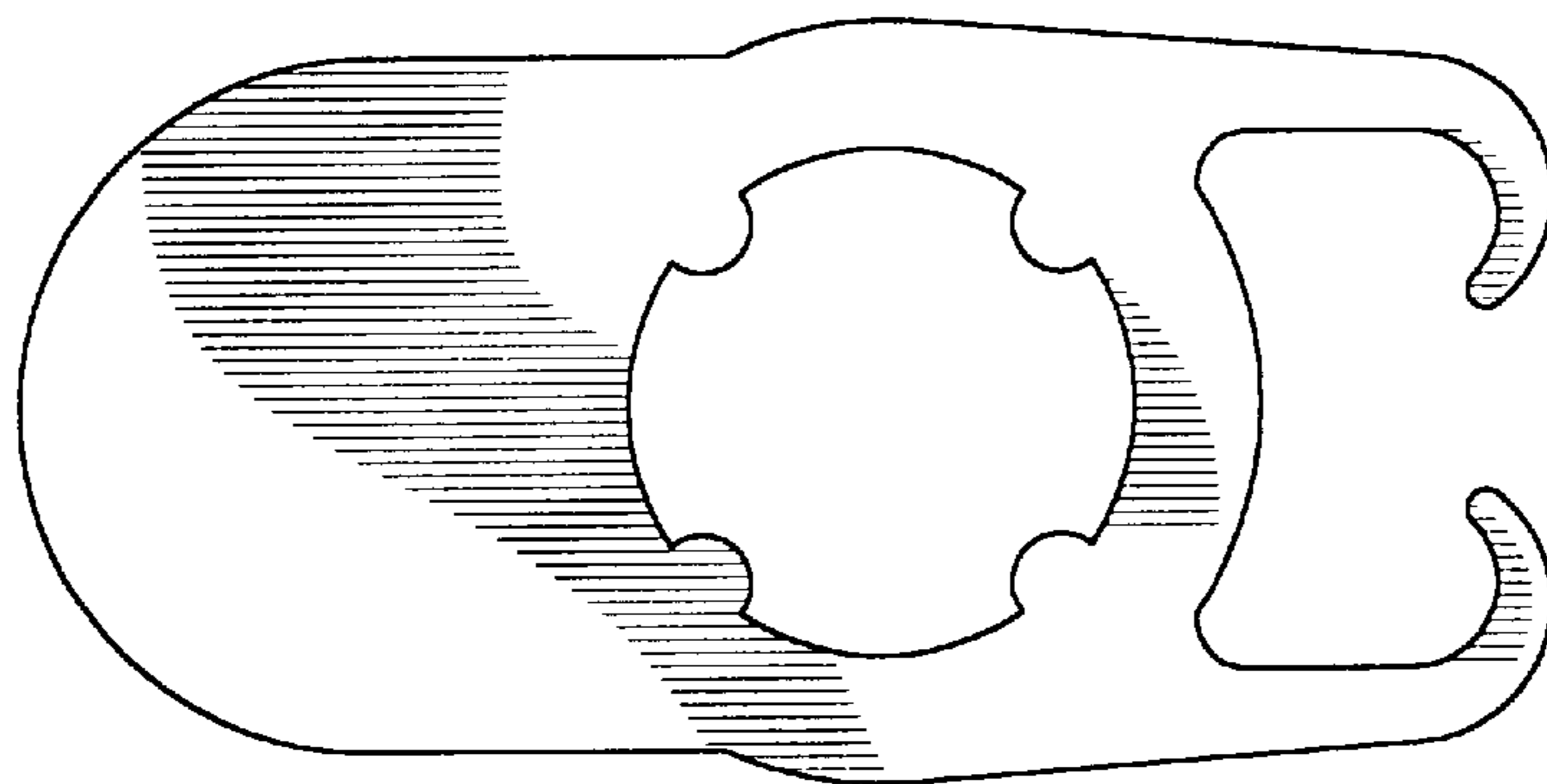


FIG. 3



FIG. 4

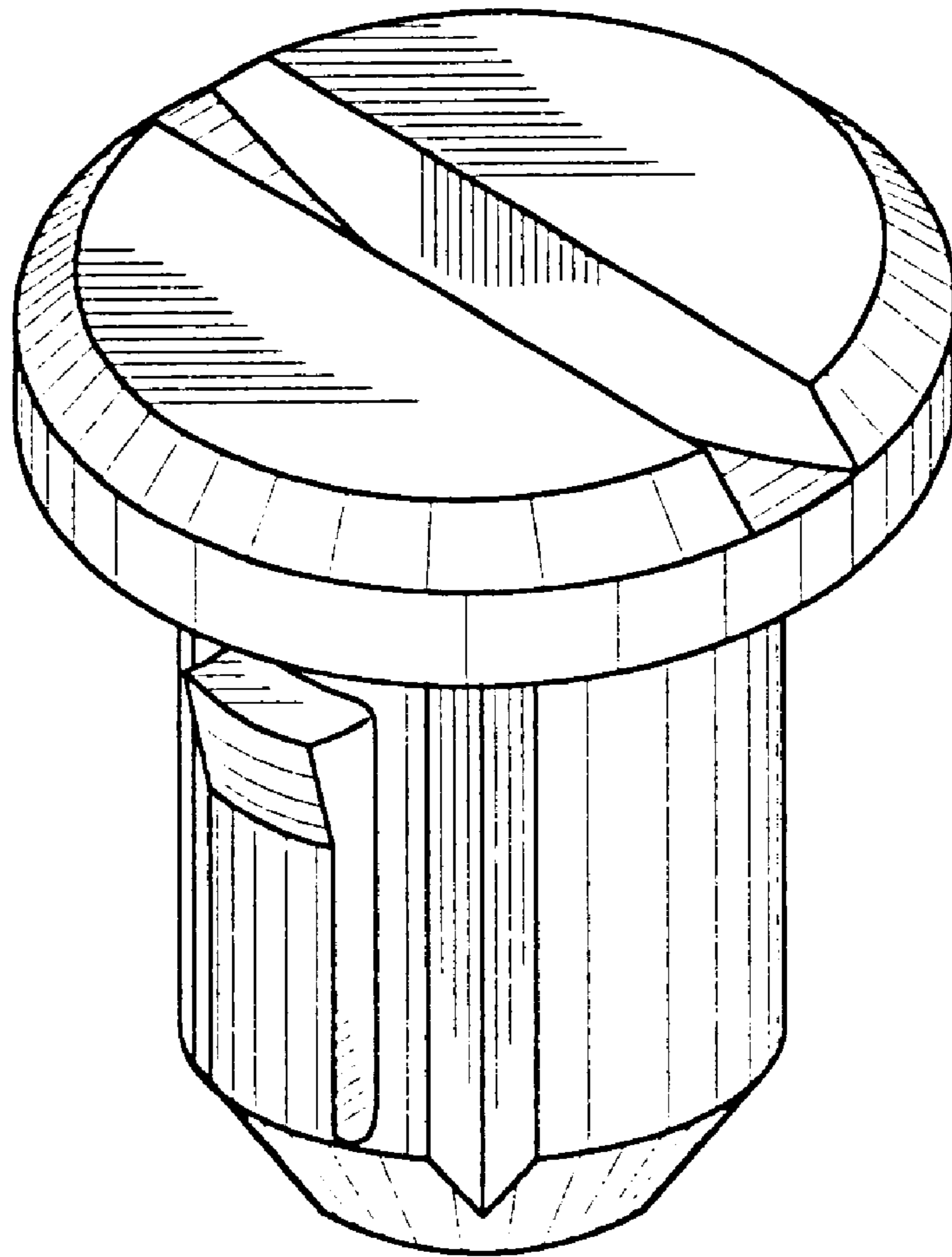


FIG. 5

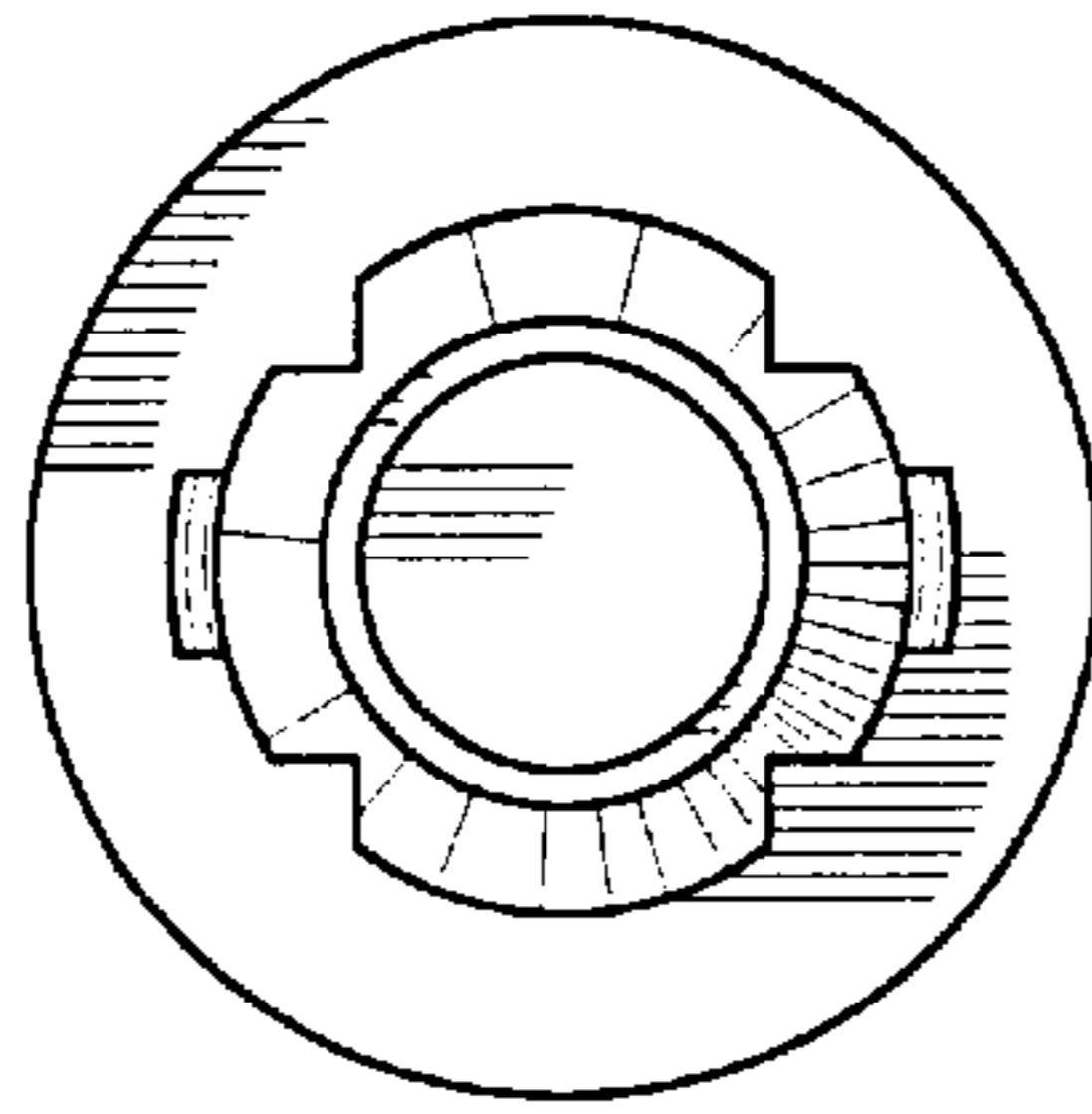


FIG. 6

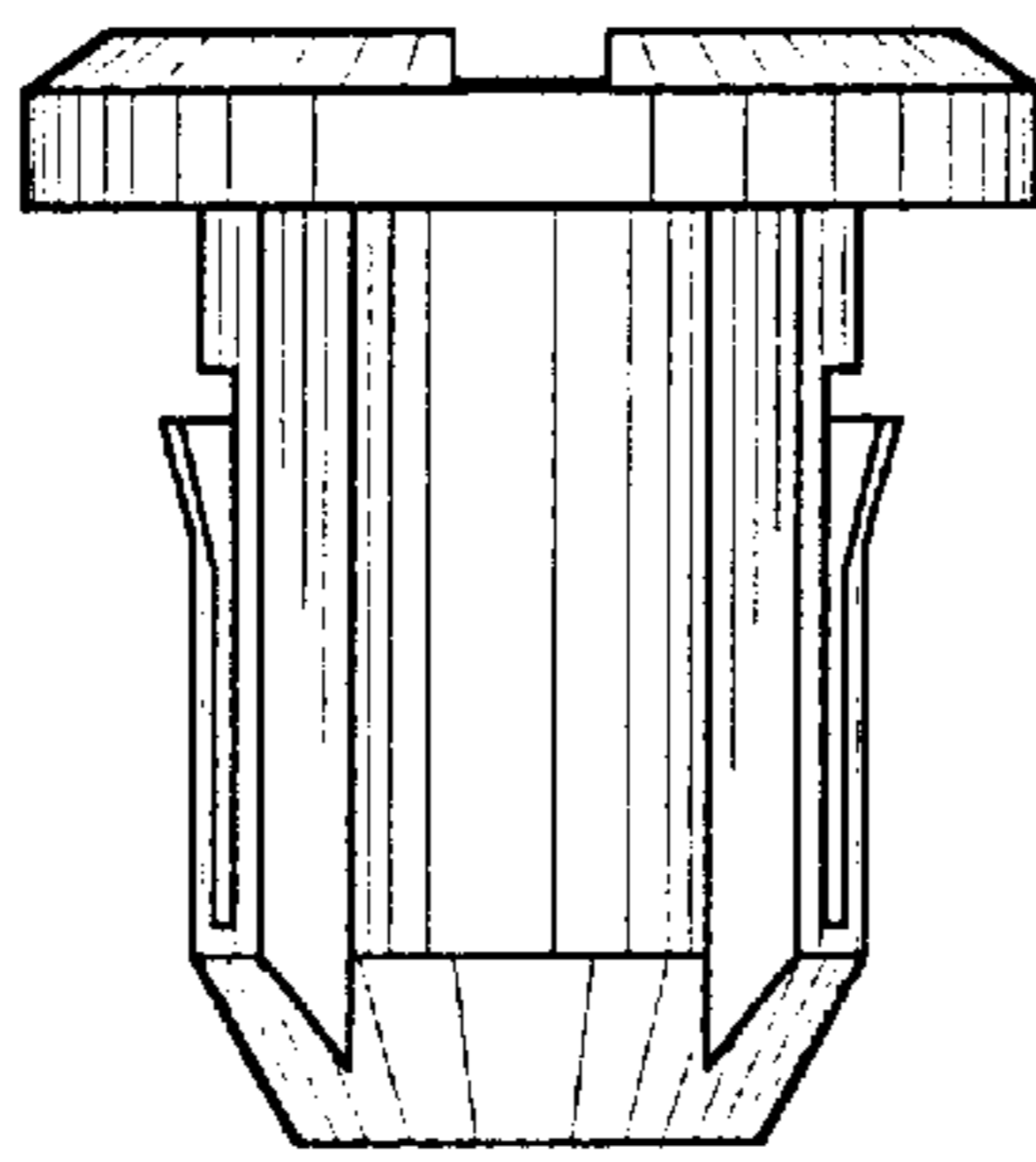


FIG. 7

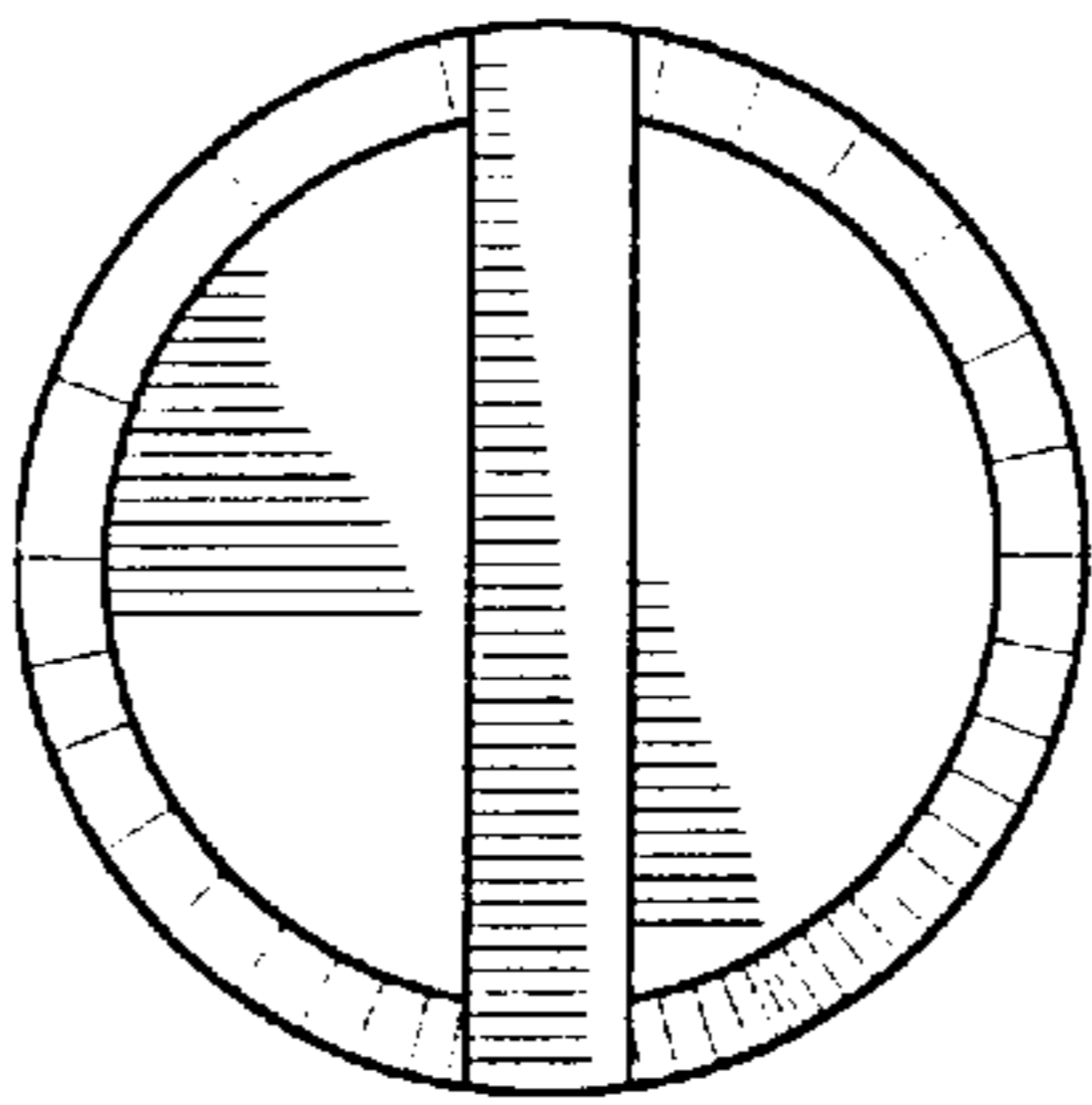


FIG. 8

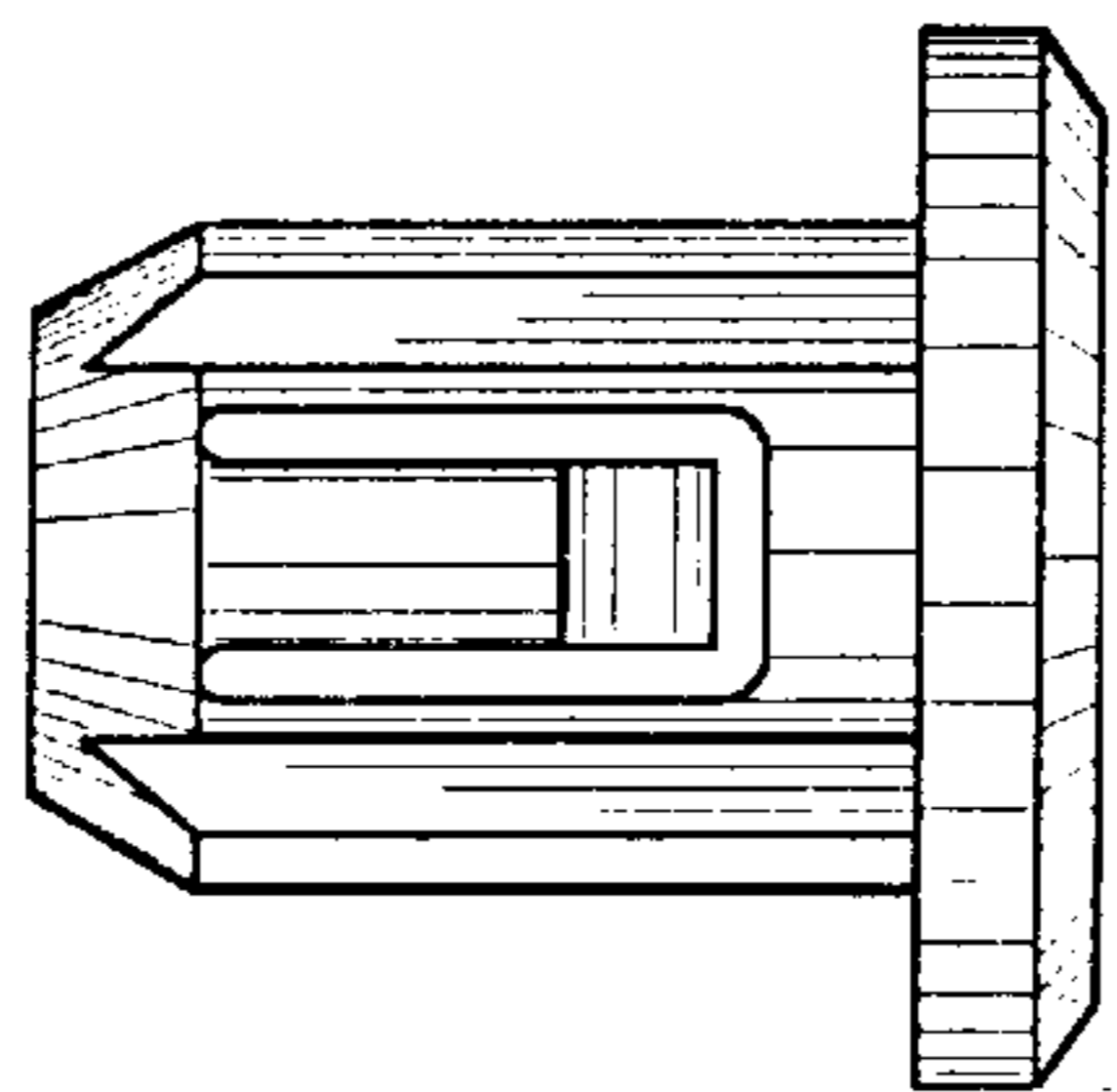


FIG. 9

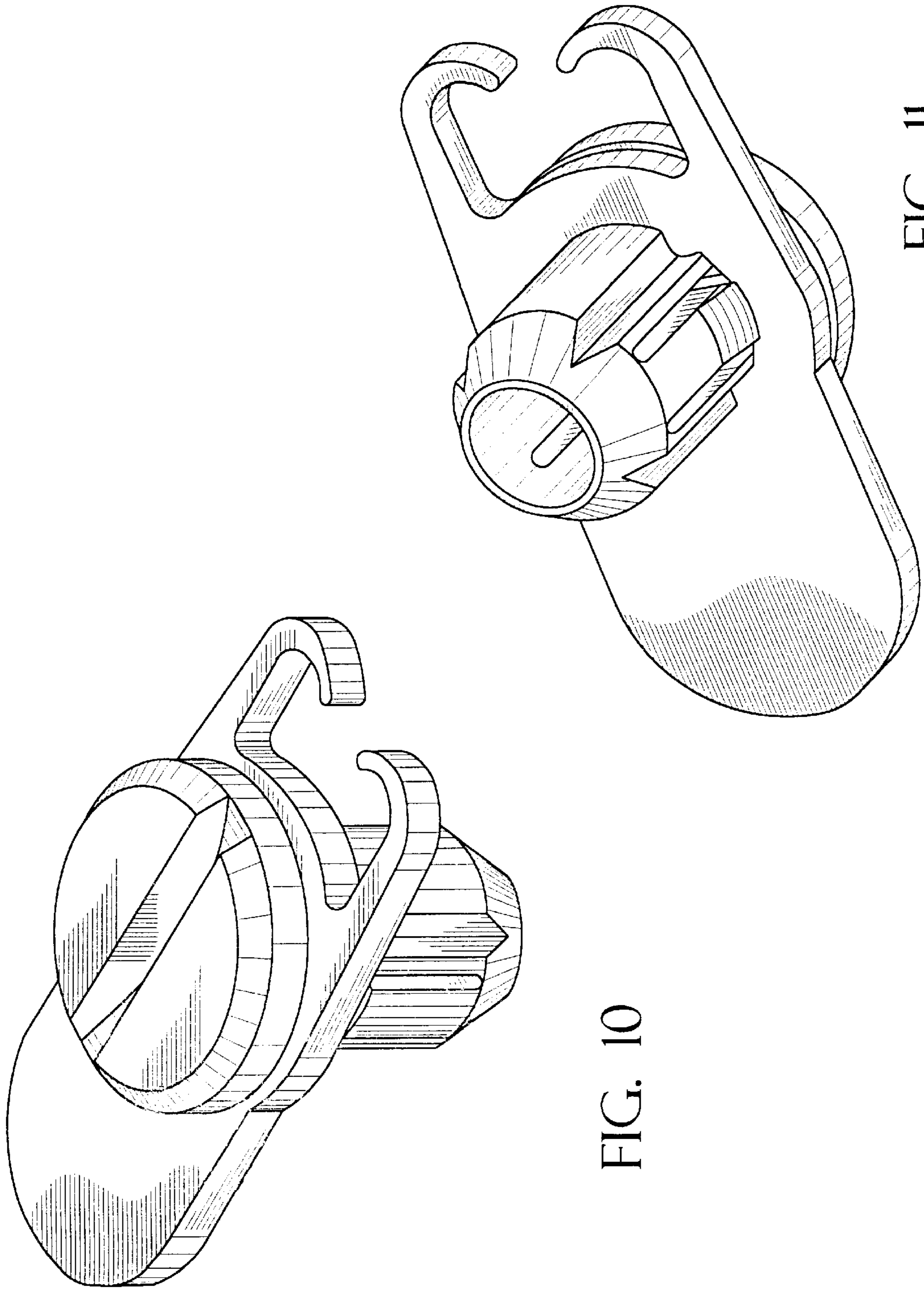


FIG. 10

FIG. 11