



US00D439488S

(12) **United States Design Patent**
Chen

(10) **Patent No.:** **US D439,488 S**

(45) **Date of Patent:** **** Mar. 27, 2001**

(54) **HAMMER**

D. 431,988 * 10/2000 Staton D8/75

(76) Inventor: **John Chen**, No. 14, Alley 6, Lane 17,
Sec. 3, Chung Yang Rd., Lung Ching
Hsiang, Taichung Hsien (TW)

* cited by examiner

Primary Examiner—Philip S. Hyder

(74) *Attorney, Agent, or Firm*—Bacon & Thomas, PLLC

(**) Term: **14 Years**

(57) **CLAIM**

(21) Appl. No.: **29/124,572**

The ornamental design for a hammer, as shown and described.

(22) Filed: **Jun. 7, 2000**

DESCRIPTION

(51) **LOC (7) Cl.** **08-02**

(52) **U.S. Cl.** **D8/78**

(58) **Field of Search** D8/75, 76, 77,
D8/79, 80, 81, 88, 89, 14; 81/20, 21, 22,
23, 24, 25, 26

FIG. 1 is a right side perspective view of a hammer showing my new design;

FIG. 2 is a front view thereof;

FIG. 3 is a rear view thereof;

FIG. 4 is a left side view thereof;

FIG. 5 is a right side view thereof;

FIG. 6 is a top view thereof;

FIG. 7 is a bottom view thereof; and,

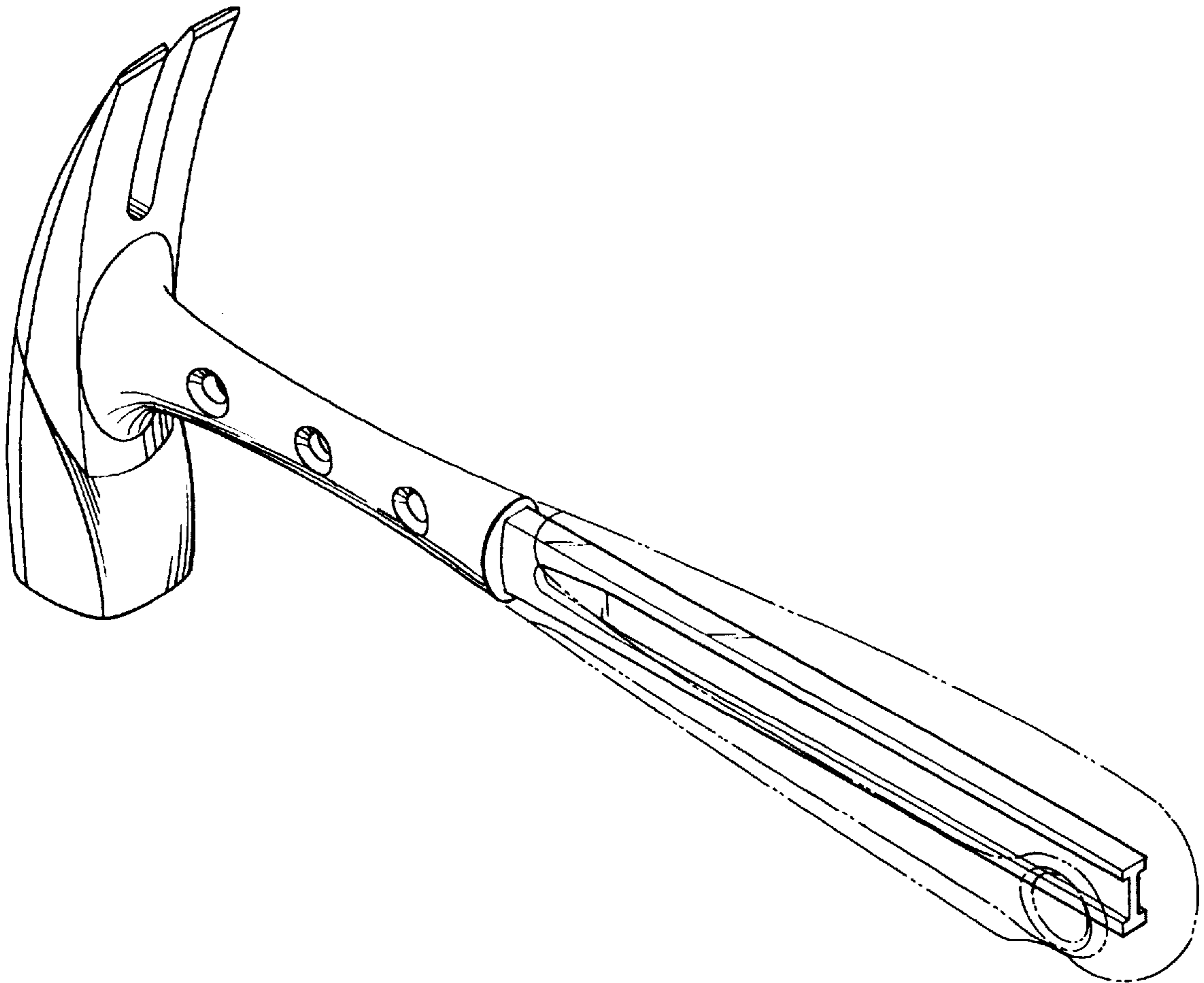
FIG. 8 is a perspective view thereof, wherein the broken line showing of the tool handle cover is for illustrative purposes only and forms no part of the claimed design.

(56) **References Cited**

U.S. PATENT DOCUMENTS

- D. 237,582 * 11/1975 Mostyn D8/75
- D. 267,469 * 1/1983 Crowder D8/75
- D. 420,881 * 2/2000 Davis et al. D8/75
- D. 426,128 * 6/2000 Lamond et al. D8/75
- D. 431,987 * 10/2000 Staton D8/75

1 Claim, 5 Drawing Sheets



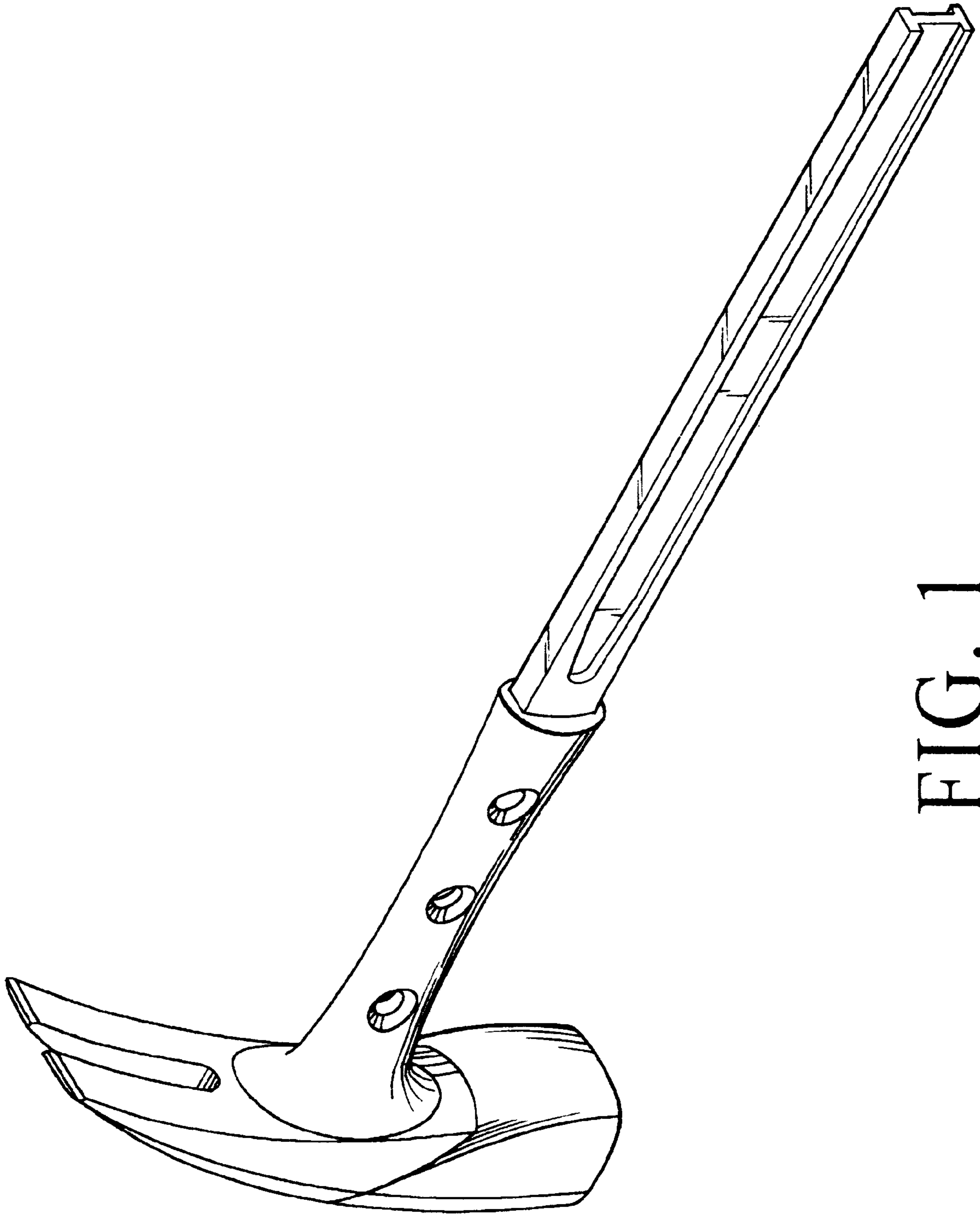


FIG. 1

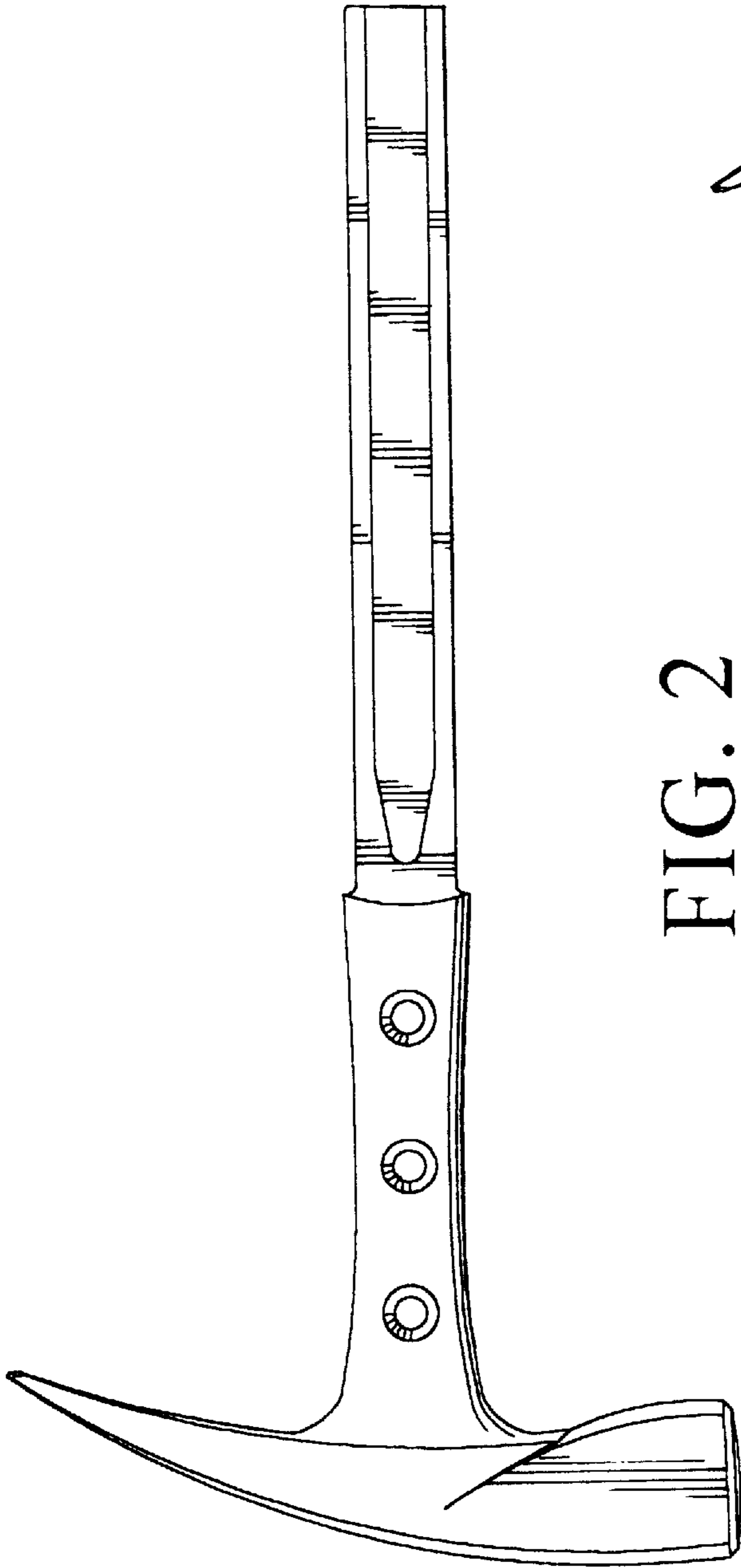


FIG. 2

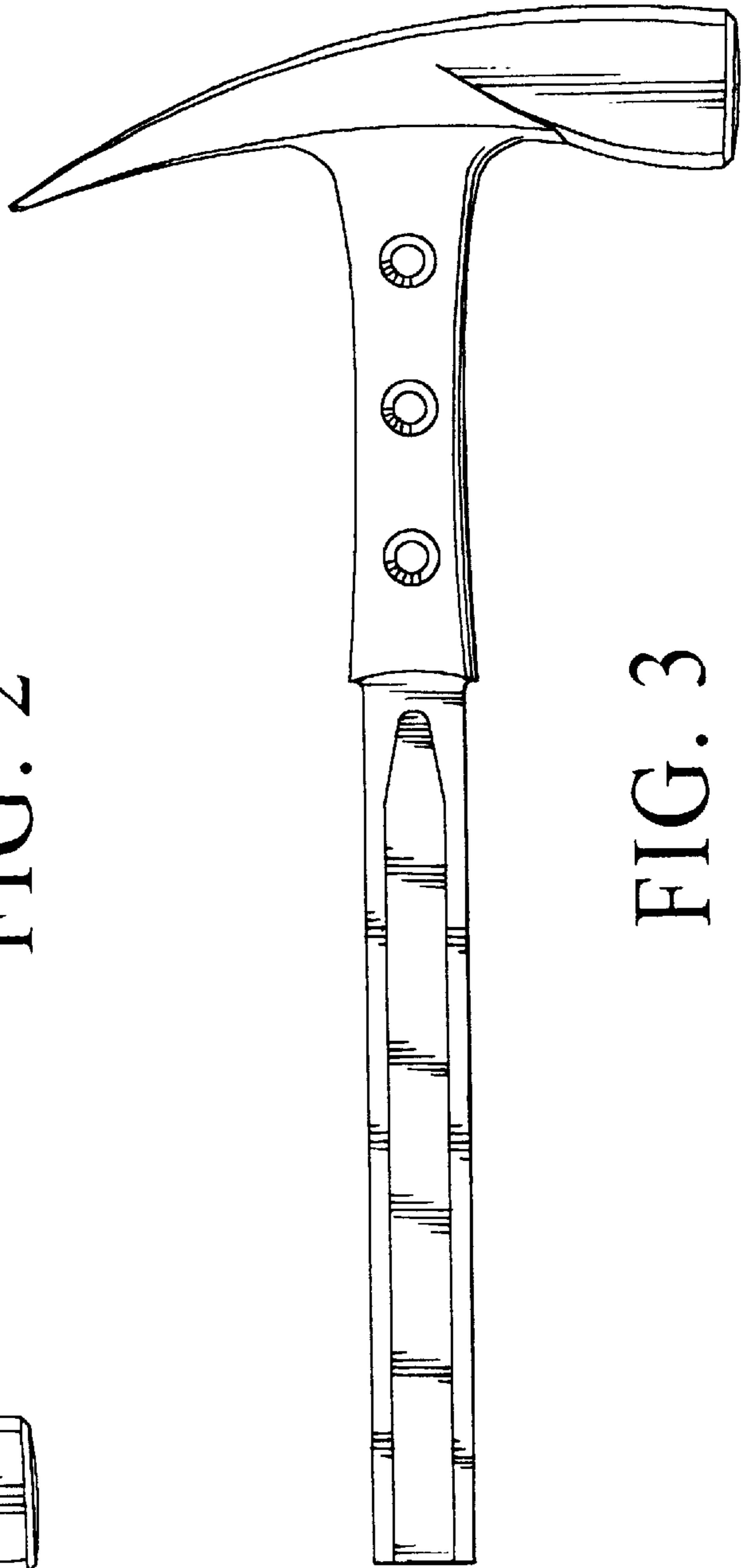


FIG. 3

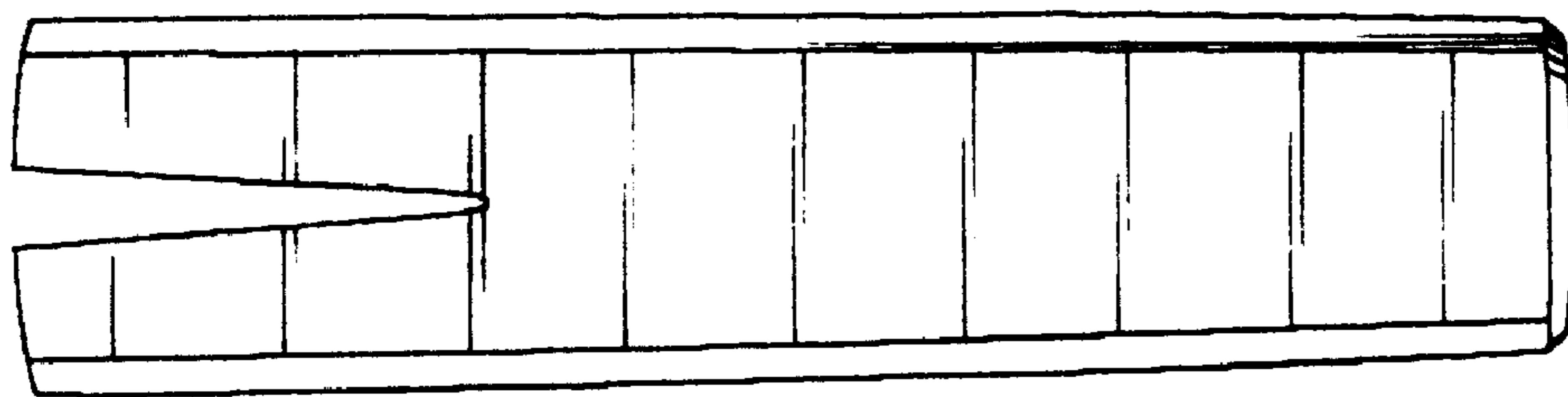


FIG. 4

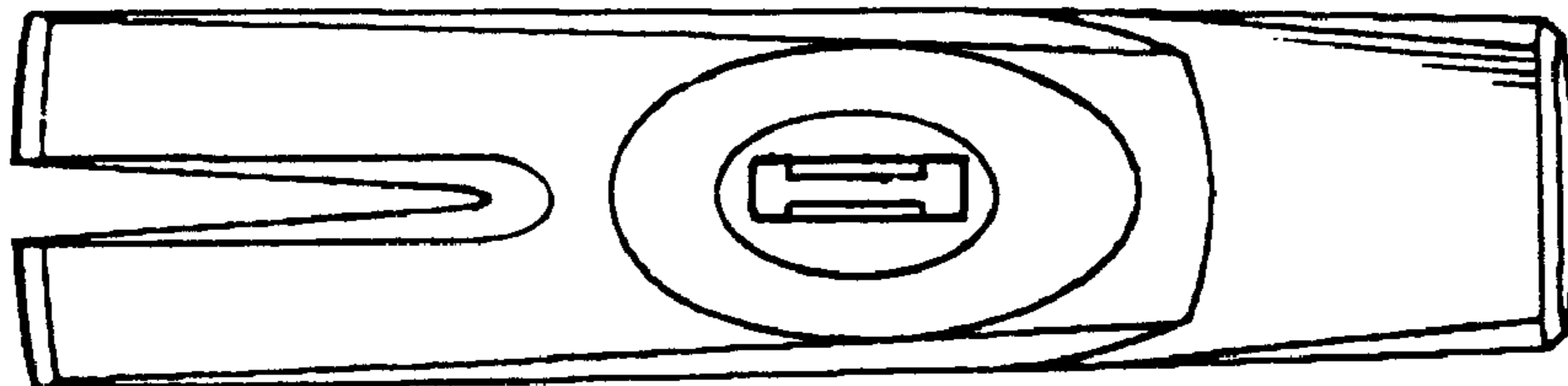


FIG. 5

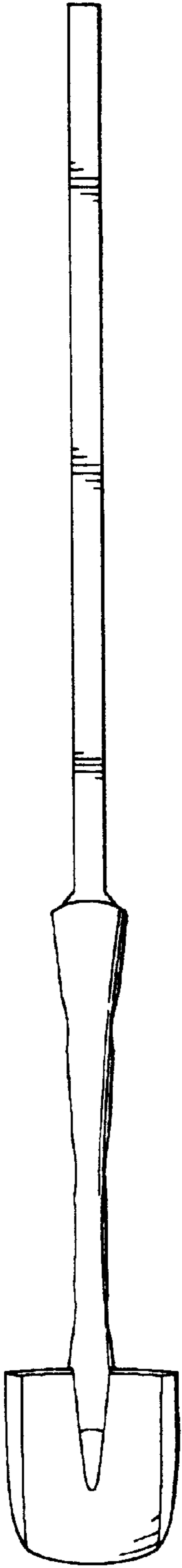


FIG. 6

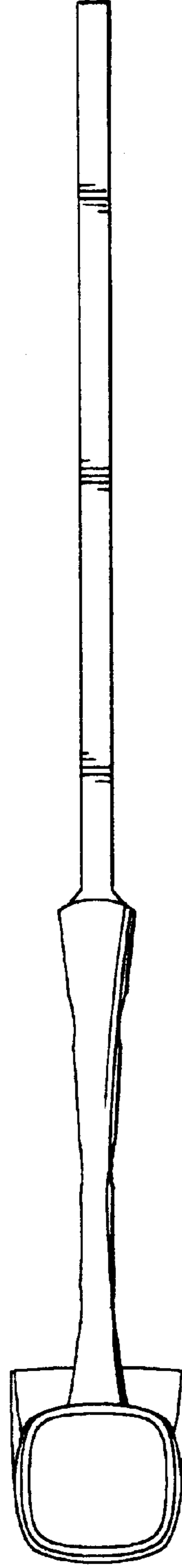


FIG. 7

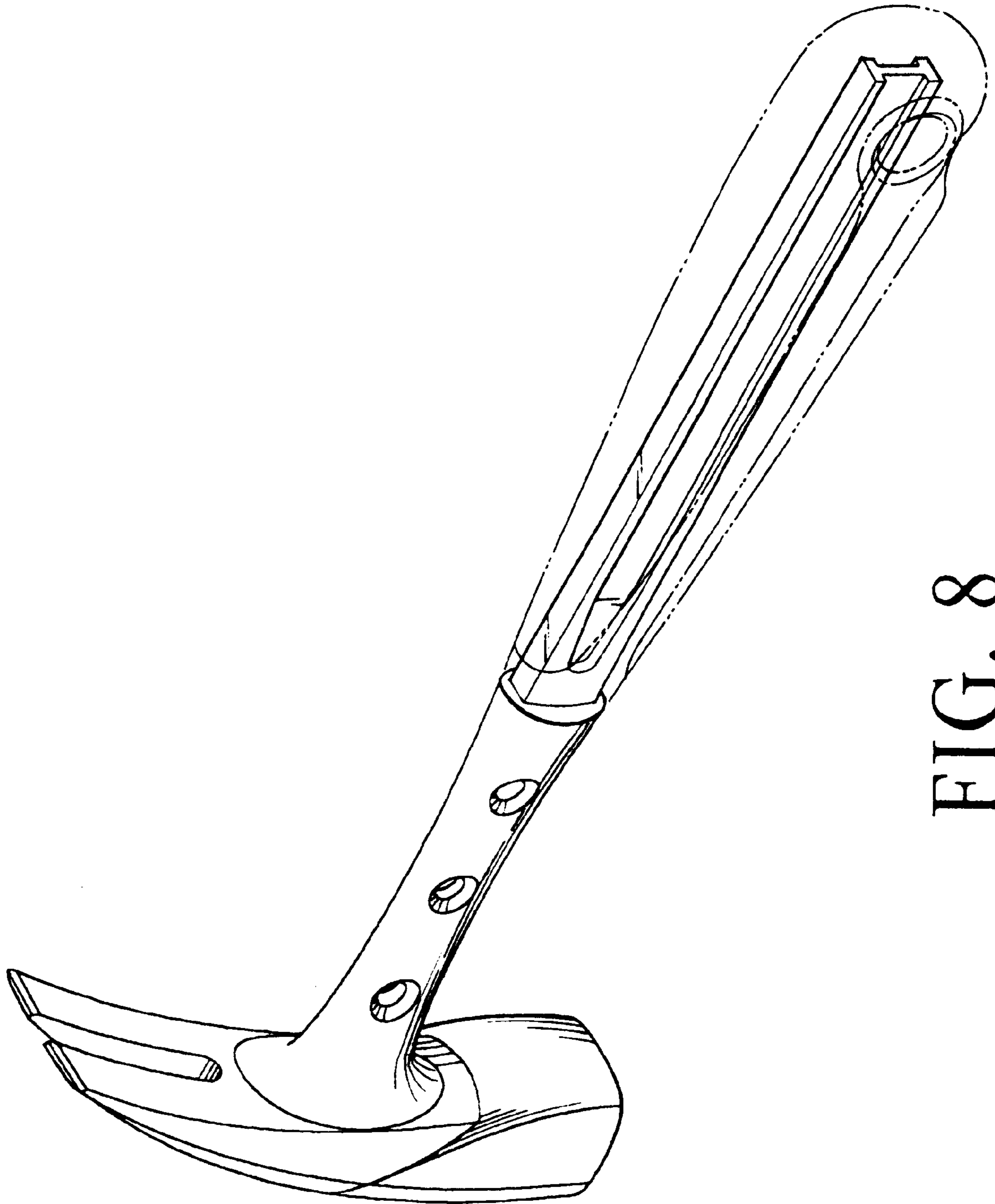


FIG. 8