



US00D439487S

(12) **United States Design Patent**  
**Renner**

(10) **Patent No.:** **US D439,487 S**

(45) **Date of Patent:** **\*\* Mar. 27, 2001**

(54) **ECCENTRIC GRIPPING CLAMP**

(75) Inventor: **Reinhard Renner**, Esslingen-Oberhof (DE)

(73) Assignee: **Wolfcraft GmbH**, Kempenich (DE)

(\*\*) Term: **14 Years**

(21) Appl. No.: **29/126,225**

(22) Filed: **Jul. 13, 2000**

(30) **Foreign Application Priority Data**

Jan. 27, 2000 (DE) ..... 400 00 913

(51) **LOC (7) Cl.** ..... **08-05**

(52) **U.S. Cl.** ..... **D8/72**

(58) **Field of Search** ..... D8/71-74; 269/6

(56) **References Cited**

**U.S. PATENT DOCUMENTS**

- D. 320,919 \* 10/1991 Sorensen ..... D8/72
- D. 328,846 \* 8/1992 Sorensen et al. .... D8/72
- D. 416,183 \* 11/1999 Tyski ..... D8/72

- D. 417,377 \* 12/1999 Blank et al. .... D8/72
- 5,222,420 \* 6/1993 Sorensen et al. .... 269/6
- 5,853,168 \* 12/1998 Drake ..... 269/6
- 6,029,964 \* 2/2000 Bohl ..... 269/6

\* cited by examiner

*Primary Examiner*—Raphael Barkai

(74) *Attorney, Agent, or Firm*—Schiff Hardin & Waite

(57) **CLAIM**

The ornamental design for a eccentric gripping clamp, as shown and described.

**DESCRIPTION**

FIG. 1 is a front elevational view of an eccentric gripping clamp in accordance with the present invention;  
 FIG. 2 is a side elevational view taken from the right side of FIG. 1;  
 FIG. 3 is an end view taken from the top end of FIG. 1;  
 FIG. 4 is an end view taken from the bottom end of FIG. 1;  
 FIG. 5 is a side view taken from the left side of FIG. 1; and,  
 FIG. 6 is a back elevational view of the clamp of FIG. 1.

**1 Claim, 3 Drawing Sheets**

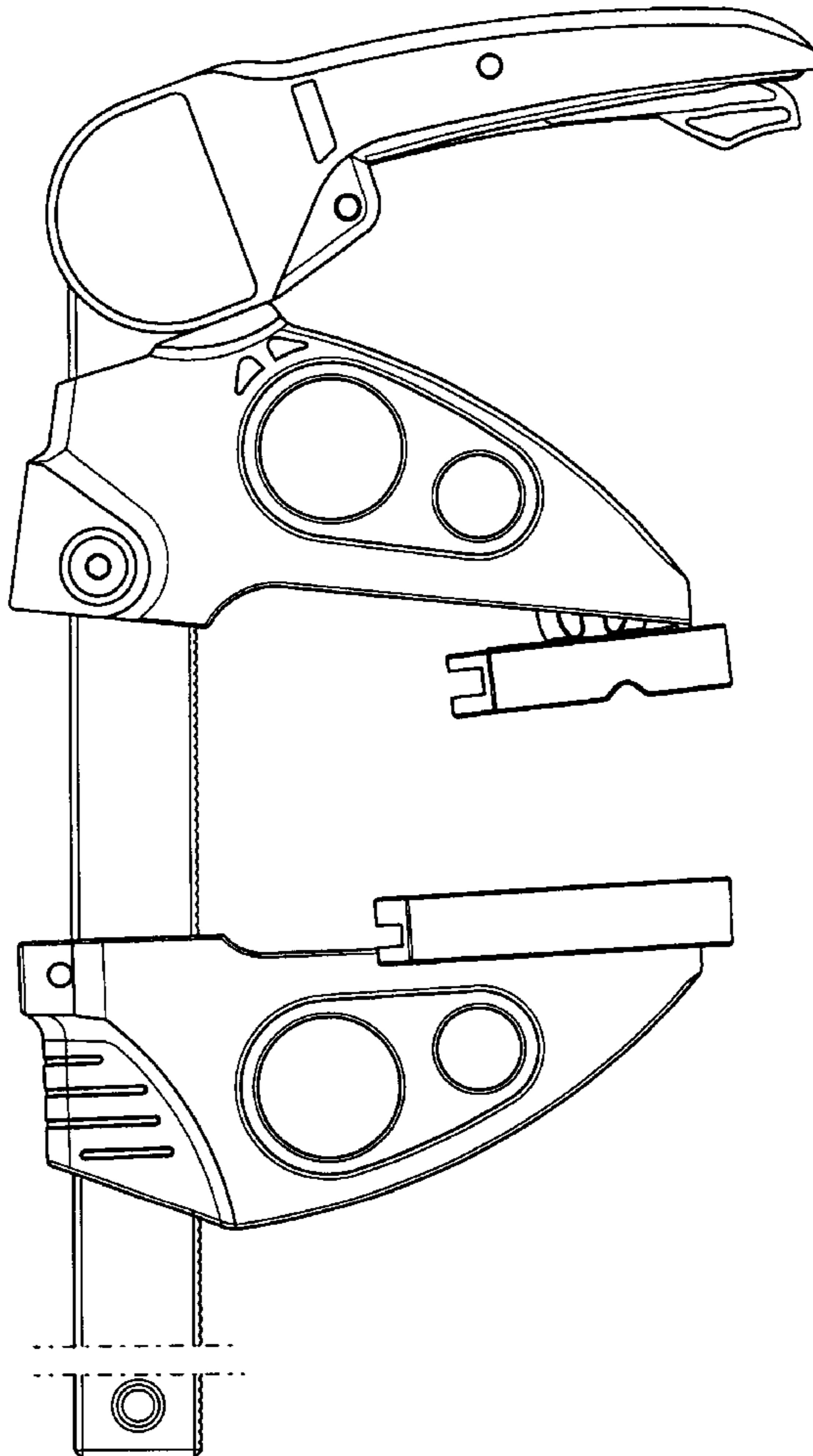


FIG. 2

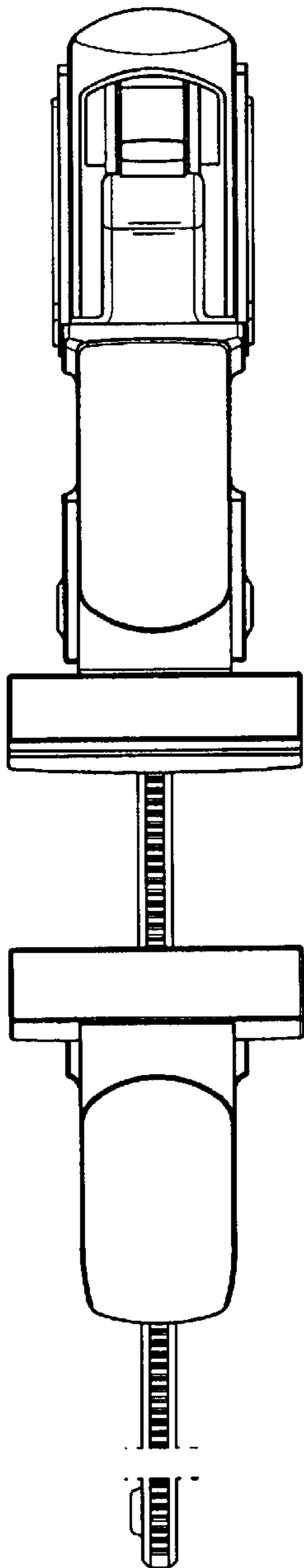


FIG. 1

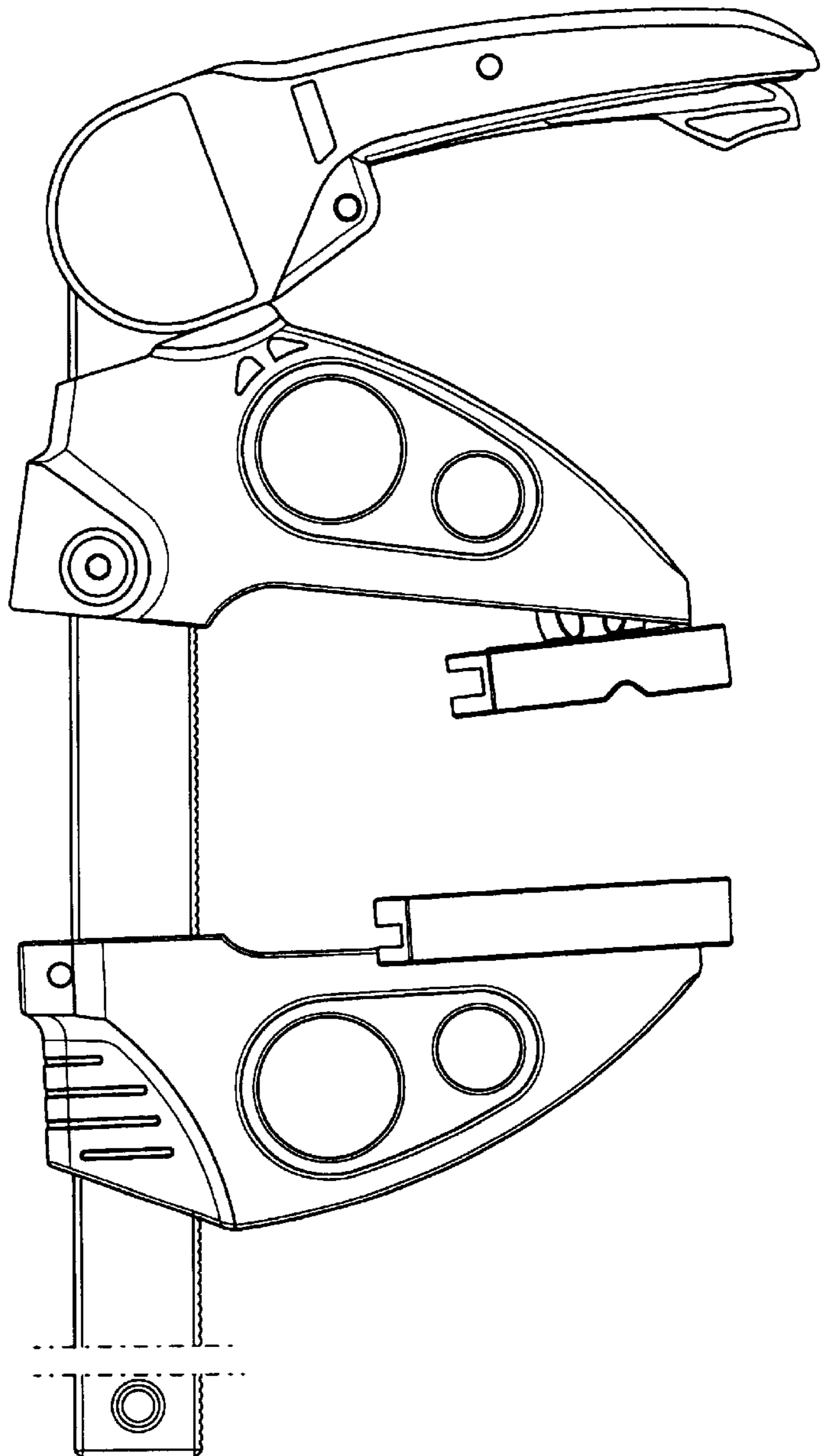


FIG. 4

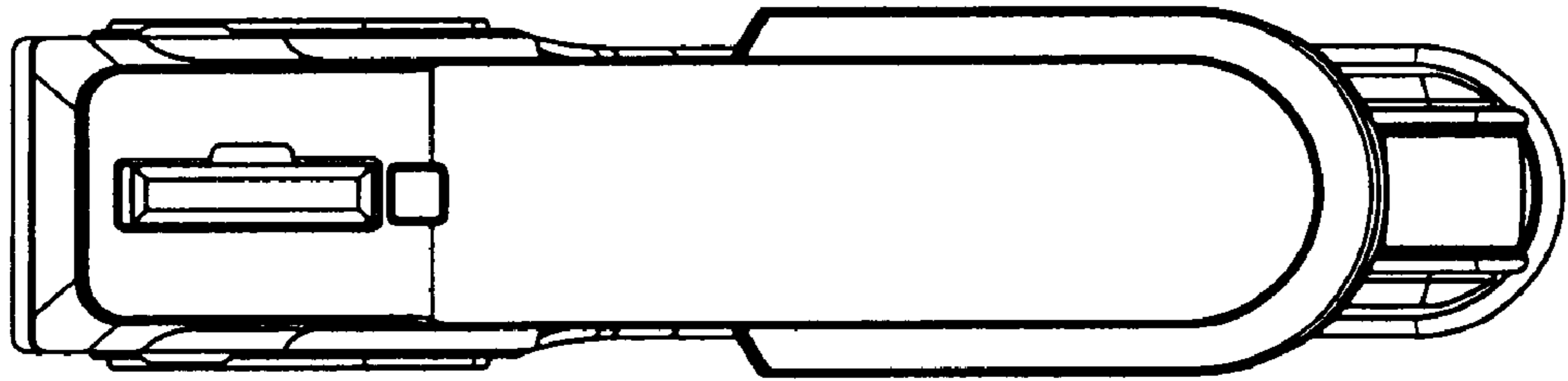


FIG. 3

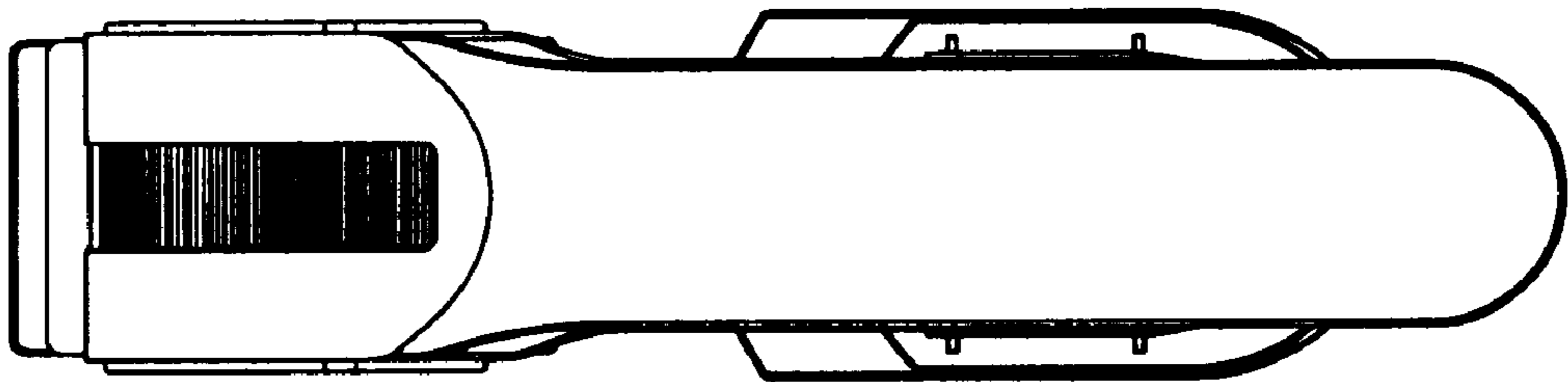


FIG. 5

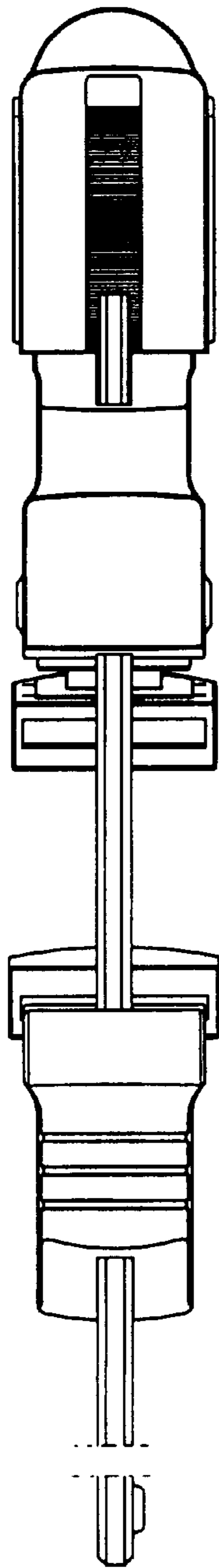


FIG. 6

