



US00D439485S

(12) **United States Design Patent**
Izumisawa

(10) **Patent No.:** **US D439,485 S**

(45) **Date of Patent:** **** Mar. 27, 2001**

(54) **SQUARE DRIVE WRENCH HAVING OFFSET HEAD**

D. 336,228 * 6/1993 Anderson et al. D8/61
D. 347,372 5/1994 Ghode et al. .

(75) Inventor: **Osamu Izumisawa**, Tokyo (JP)

(List continued on next page.)

(73) Assignee: **S.P. Air Kabusiki Kaisha**, Nagano Pref. (JP)

OTHER PUBLICATIONS

(**) Term: **14 Years**

Vision Air Tool publication entitled, "Vision Air Tool VA-G120," published at least as early as Feb. 28, 2000 at <http://www.visionairtool.com/servlet/Cat_ShowDetails.class?105>.

(21) Appl. No.: **29/119,349**

Shinano Pneumatic Industries Inc. publication entitled, "SP Air," published at least as early as Feb. 28, 2000.

(22) Filed: **Feb. 28, 2000**

Ingersoll-Rand Co. publication entitled "Ingersoll-Rand Automotive Tools," published at least as early as Feb. 28, 2000, pp. 1-3, 16-17.

(51) **LOC (7) Cl.** **08-05**

(52) **U.S. Cl.** **D8/70; D8/61**

(58) **Field of Search** D8/61-70; 81/57.11, 81/57.13, 57.29, 54, 57.42, 57.39, 469; 173/170, 169, 48, 163, 217, 182; 451/358, 359; 310/50, 240; 433/82, 125

Ingersoll-Rand Co. publication entitled "Ingersoll-Rand Automotive Power Tools," published at least as early as Feb. 28, 2000, pp. 6-7, 26-27.

Shinano Pneumatic Industries Inc. publication entitled, "SP Air," published at least as early as Feb. 28, 2000, pp. 2-5, 16-19.

(56) **References Cited**

U.S. PATENT DOCUMENTS

D. 111,234	*	9/1938	Albertson	D8/61
D. 150,531	*	8/1948	Albertson	D8/61
D. 162,877	*	4/1951	Price et al.	D8/70
D. 269,846	*	7/1983	Izumisawa	D8/62
D. 269,938		8/1983	Izumisawa	.	
D. 278,407		4/1985	Fleischer, Jr.	.	
D. 289,135		4/1987	Doman	.	
D. 298,908	*	12/1988	Clemens	D8/61
D. 302,378		7/1989	Nelson	.	
D. 316,216	*	4/1991	Gierke et al.	D8/61
D. 320,540		10/1991	Staubitz et al.	.	
D. 320,541		10/1991	Staubitz et al.	.	
D. 323,275		1/1992	Sasaki et al.	.	
D. 323,603	*	2/1992	Fu	D8/61
D. 323,961	*	2/1992	Fushiya et al.	D8/61
D. 327,620		7/1992	Fisher	.	
D. 330,151		10/1992	Fisher	.	
D. 333,077		2/1993	Mikiya	.	
D. 333,766		3/1993	Albert et al.	.	
D. 334,124		3/1993	Izumisawa	.	
D. 334,125		3/1993	Izumisawa	.	
D. 335,808	*	5/1993	Bruno et al.	D8/61

Primary Examiner—Jeffrey Asch

(74) *Attorney, Agent, or Firm*—Senniger, Powers, Leavitt & Roedel

(57) **CLAIM**

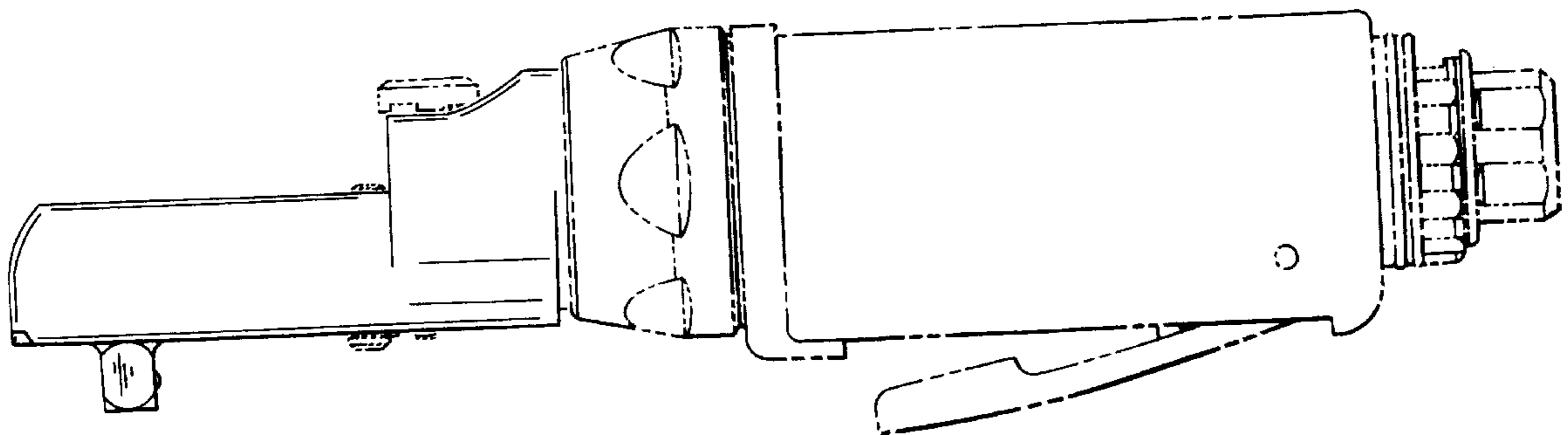
The ornamental design for a square drive wrench having offset head, as shown and described.

DESCRIPTION

FIG. 1 is a right side elevation of a square drive wrench having offset head of the present invention; FIG. 2 is a left side elevation of the wrench; FIG. 3 is a top plan of the wrench; FIG. 4 is a bottom plan of the wrench; FIG. 5 is a front elevation of the wrench; and, FIG. 6 is a rear elevation of the wrench.

The broken lines shown in the drawings indicate environmental structure and features which form no part of the claimed design.

1 Claim, 5 Drawing Sheets



US D439,485 S

Page 2

U.S. PATENT DOCUMENTS						
			4,006,784	*	2/1977	Dudek 173/182
			4,184,257	*	1/1980	Leonard 433/82
			4,185,386	*	1/1980	Nordin et al. 433/82
			4,748,872		6/1988	Brown .
			4,753,594	*	6/1988	Croll 433/125
			4,821,611		4/1989	Izumisawa .
			5,383,771		1/1995	Ghode et al. .
			5,784,934		7/1998	Izumisawa .
			6,009,776	*	1/2000	Warren 81/57.29
			6,087,754	*	7/2000	Berger 310/240
D. 357,848	5/1995	Izumisawa .				
D. 361,028	8/1995	Izumisawa .				
D. 363,420	10/1995	Warner .				
D. 372,850	* 8/1996	Dubuque et al.	D8/61			
D. 376,083	12/1996	Verdura et al. .				
D. 380,658	7/1997	Bruno et al. .				
D. 408,241	* 4/1999	Jansson	D8/61			
D. 408,243	4/1999	Izumisawa .				
3,190,183	6/1965	Walker et al. .				
3,257,877	* 6/1966	Ulrich et al.	81/57.13			

* cited by examiner

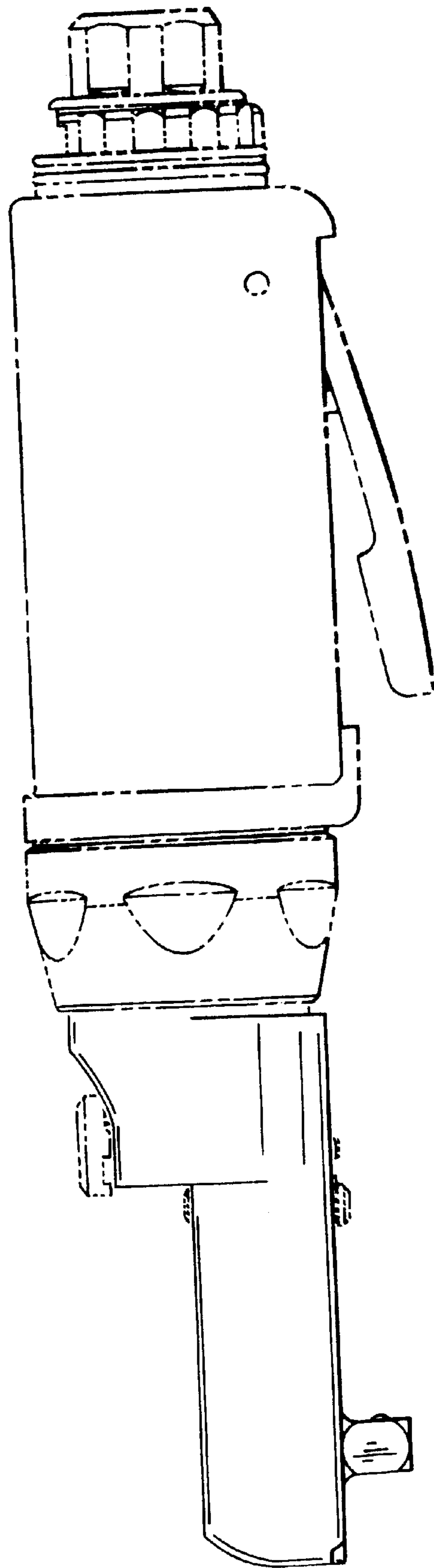
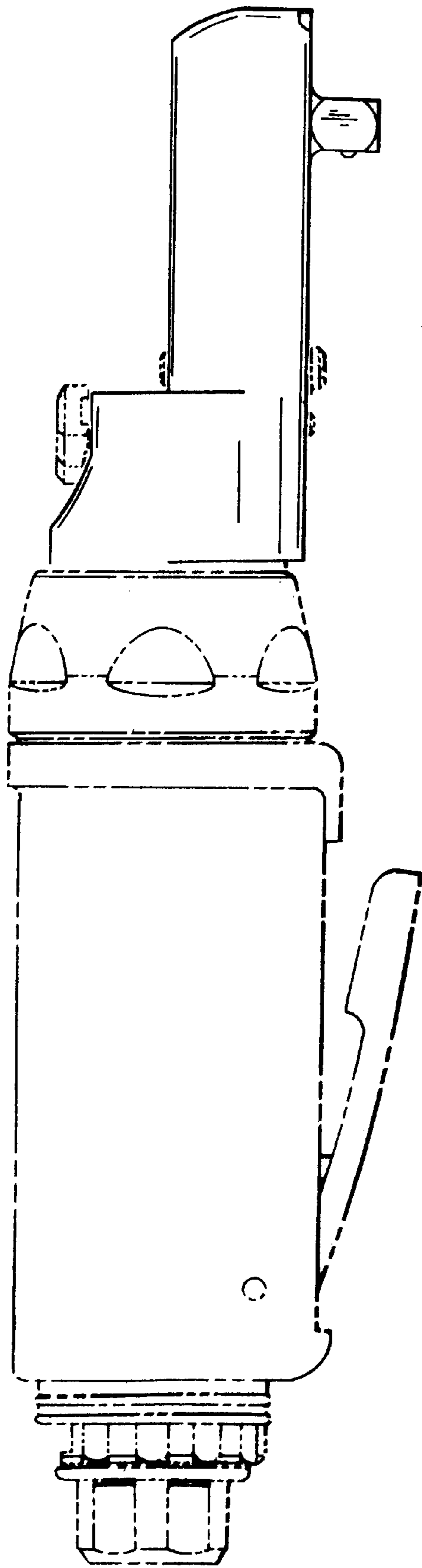


FIG. 1

FIG. 2



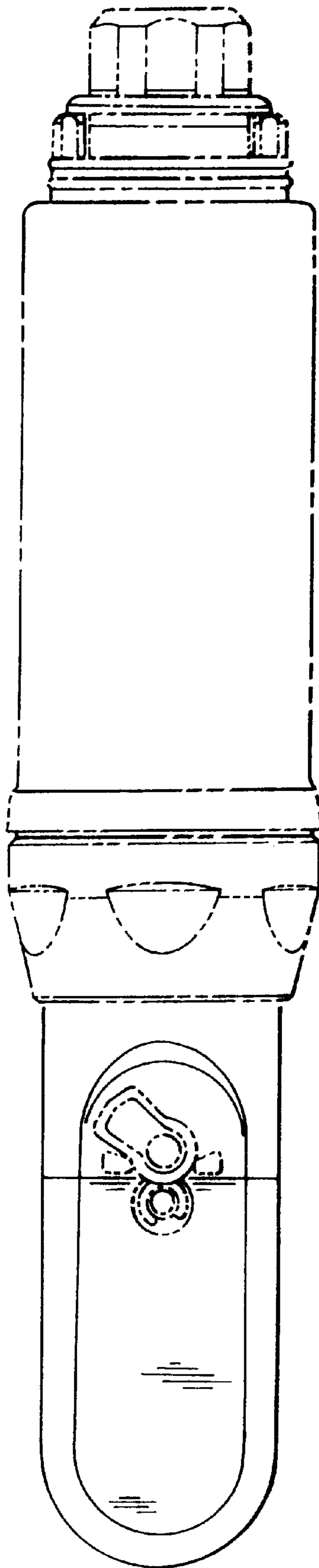


FIG. 3

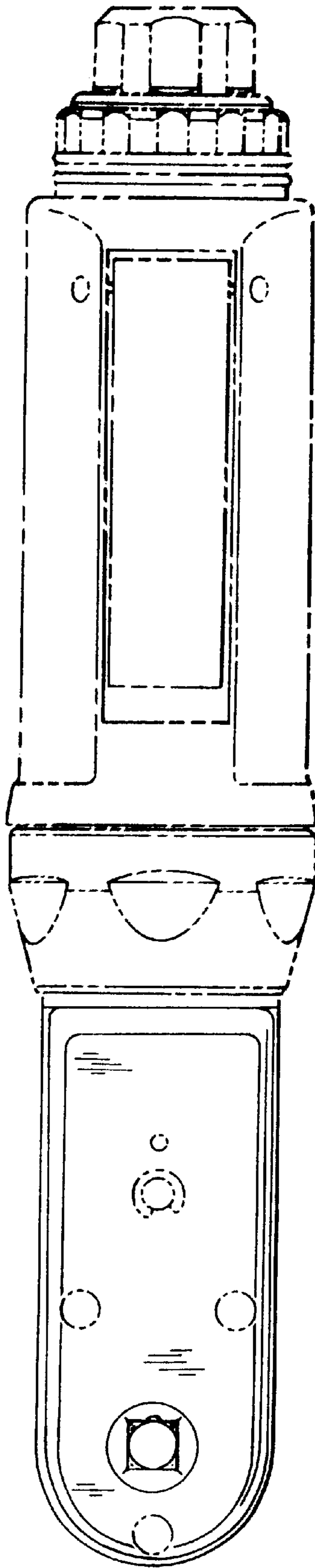


FIG. 4

FIG. 6

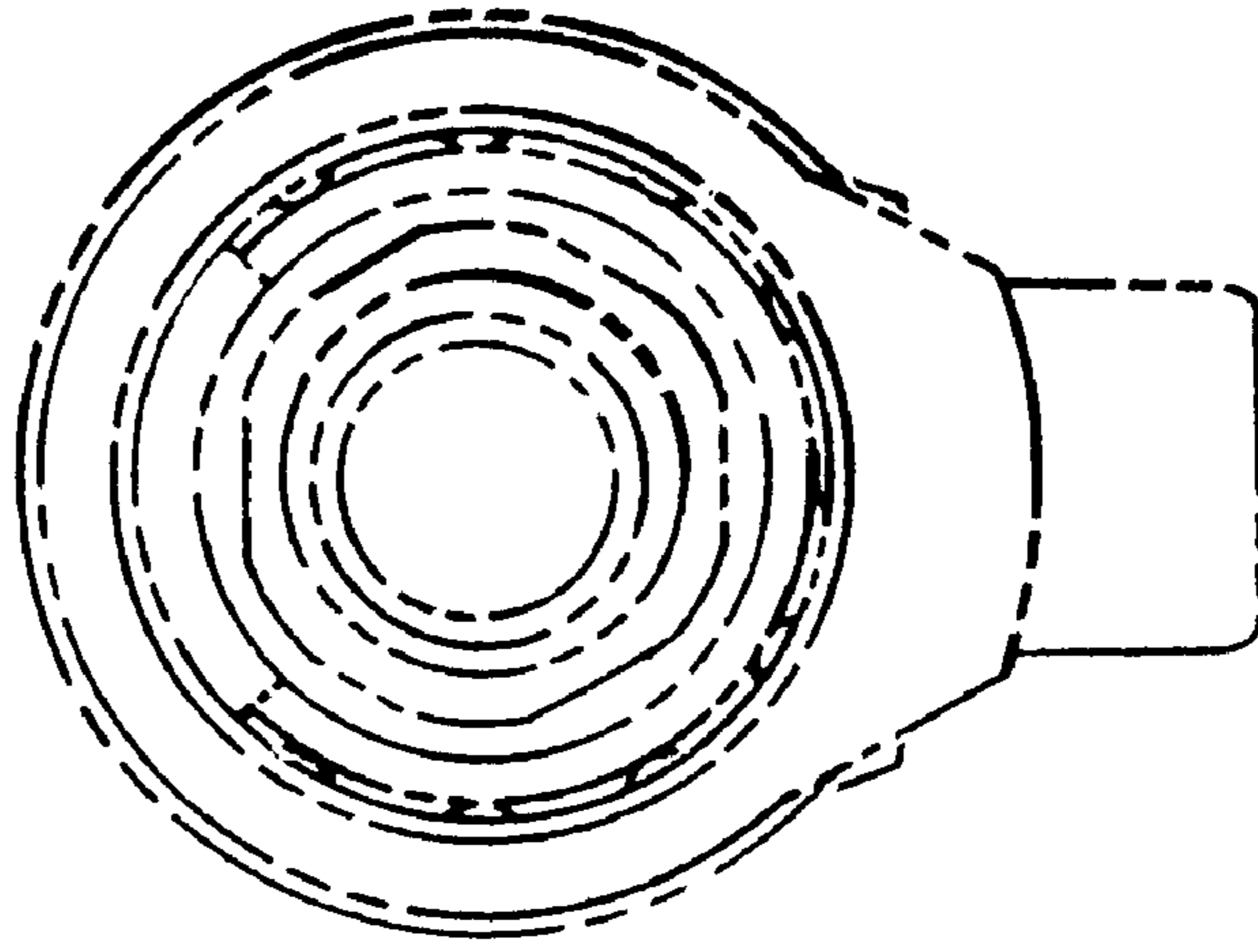


FIG. 5

