



US00D439484S

(12) **United States Design Patent**
Adler et al.

(10) **Patent No.:** **US D439,484 S**

(45) **Date of Patent:** **** Mar. 27, 2001**

(54) **SPIRAL CUTTING TOOL WITH HANDLE**

6,048,260 * 4/2000 Kopras 409/182 X

(75) Inventors: **Scott Adler; Cory Boudreau; Ryan Rindy; Daniel Bullis**, all of Madison, WI (US)

* cited by examiner

Primary Examiner—Antoine Duval Davis
(74) *Attorney, Agent, or Firm*—Foley & Lardner

(73) Assignee: **Roto-Zip Tool Corporation**, Cross Plains, WI (US)

(57) **CLAIM**

(**) Term: **14 Years**

The ornamental design for a spiral cutting tool with handle, as shown and described.

(21) Appl. No.: **29/118,850**

DESCRIPTION

(22) Filed: **Feb. 17, 2000**

FIG. 1 is a perspective view of the claimed design;
FIG. 2 is a first side view thereof;
FIG. 3 is a second side view thereof;
FIG. 4 is a third side view thereof;
FIG. 5 is a fourth side view thereof;
FIG. 6 is a bottom view thereof; and,
FIG. 7 is a top view thereof.

(51) **LOC (7) Cl.** **08-03**

(52) **U.S. Cl.** **D8/69**

(58) **Field of Search** D8/61, 62, 68,
D8/69; 409/182, 181; 16/114 R; 81/117.4,
490; 408/241 R

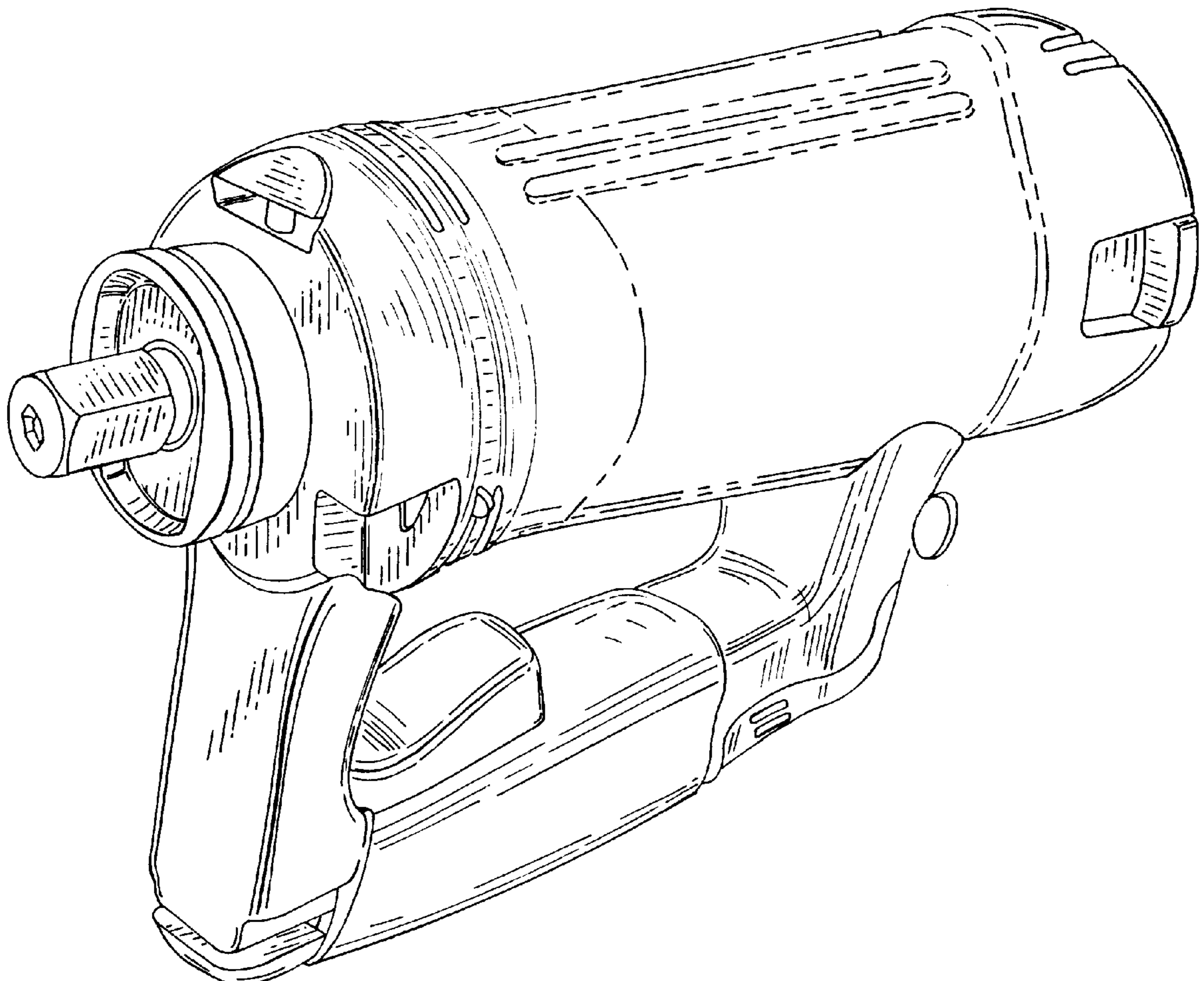
The ornamental design which is claimed is shown in solid lines in the drawings. The broken lines in the drawings are for illustrative purposes only and form no part of the claimed design.

(56) **References Cited**

U.S. PATENT DOCUMENTS

5,813,805 9/1998 Kopras .
5,902,080 5/1999 Kopras .

1 Claim, 6 Drawing Sheets



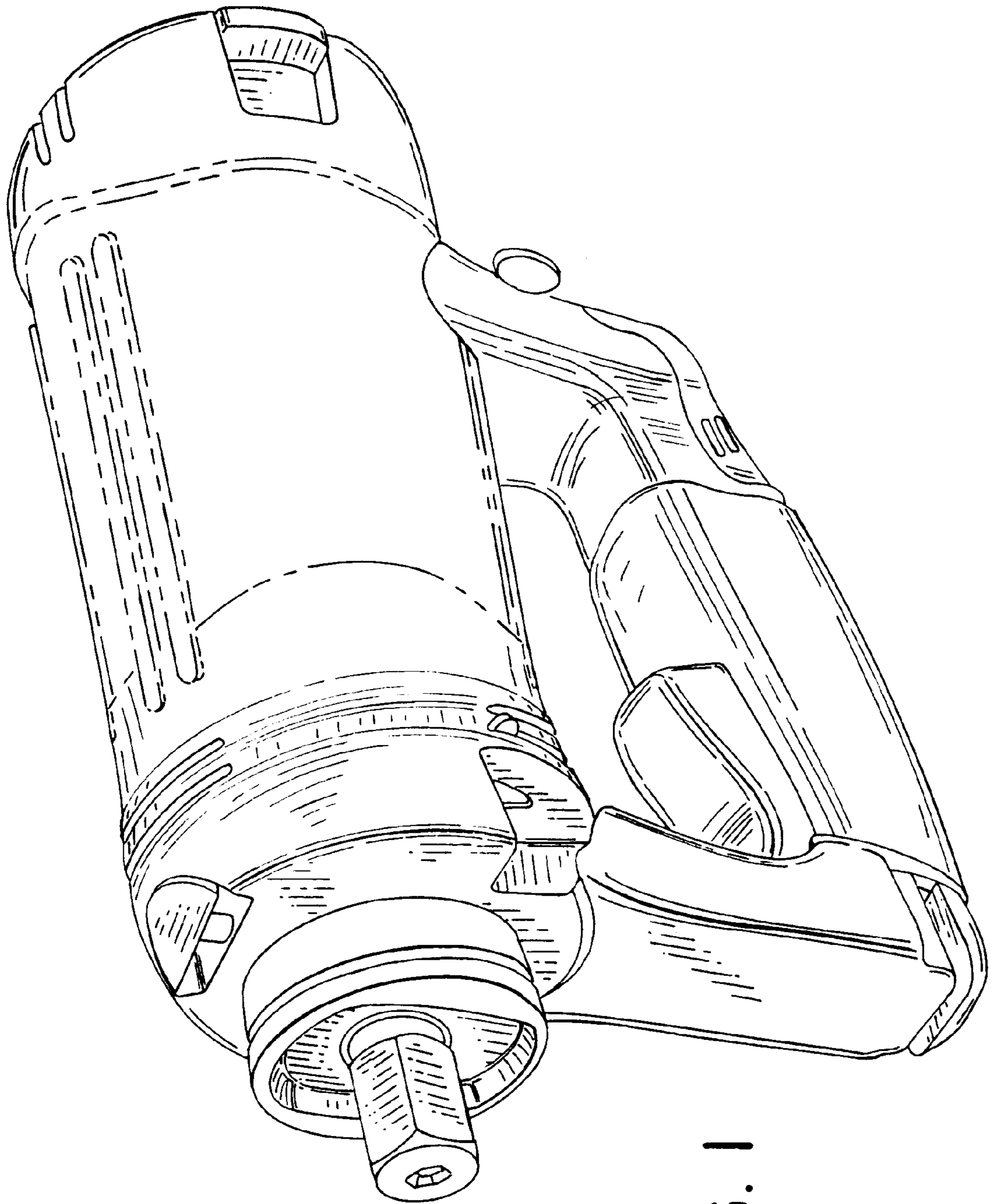


FIG. 1

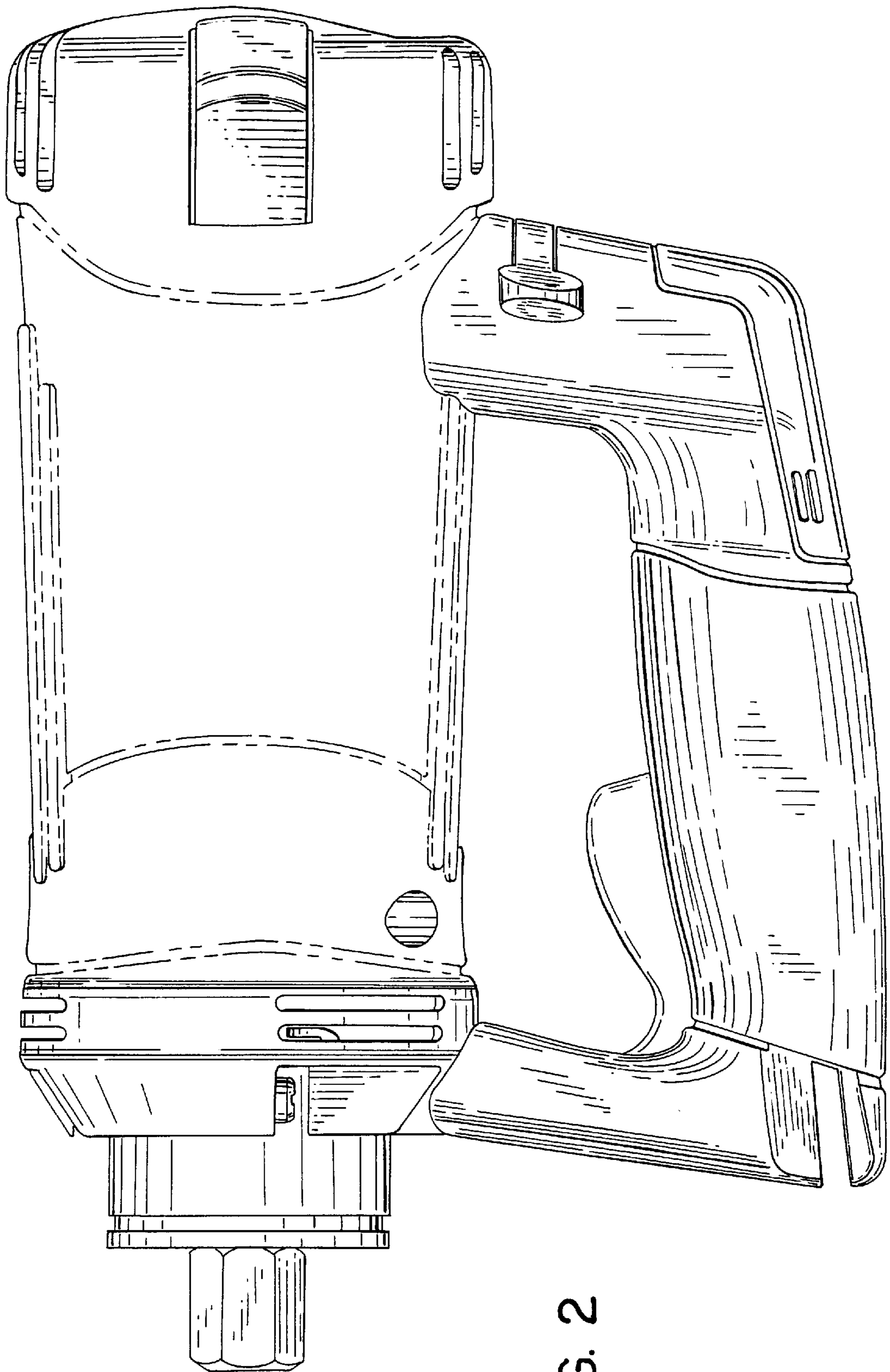


FIG. 2

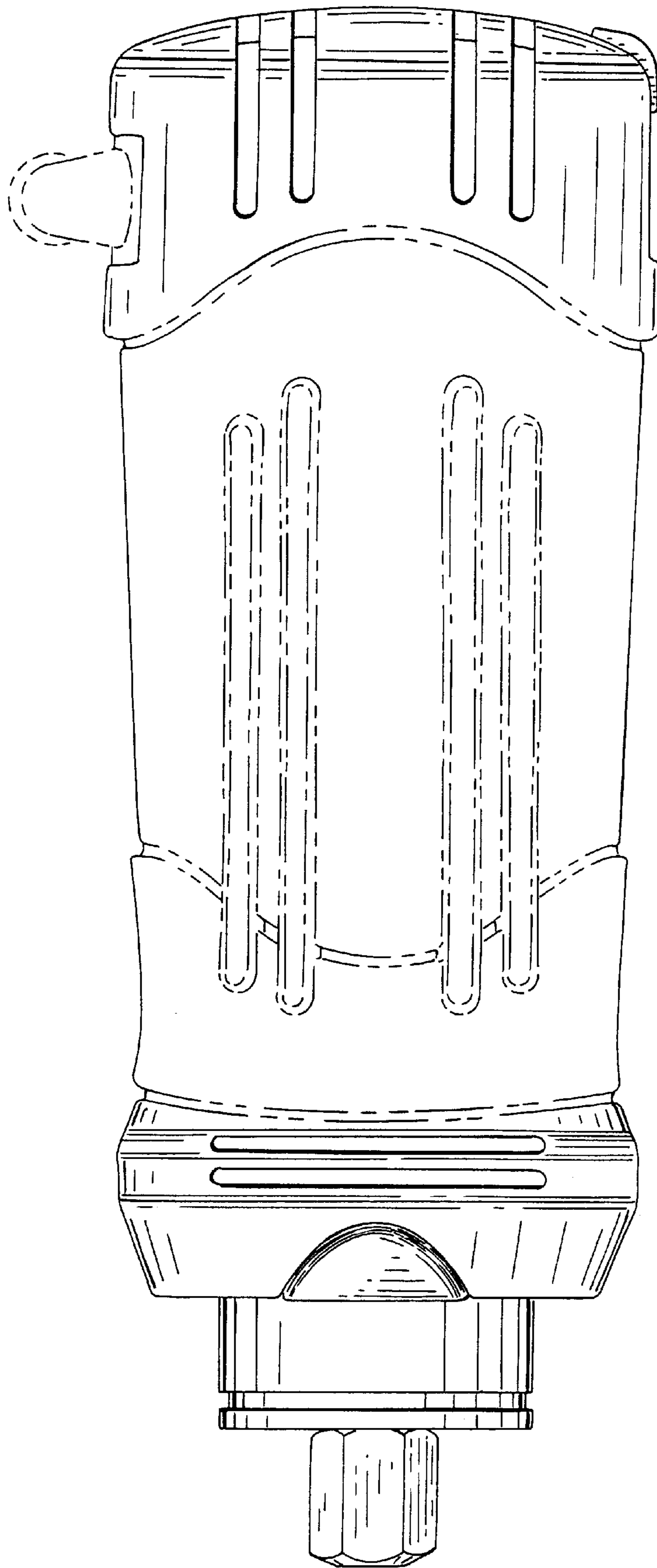


FIG. 3

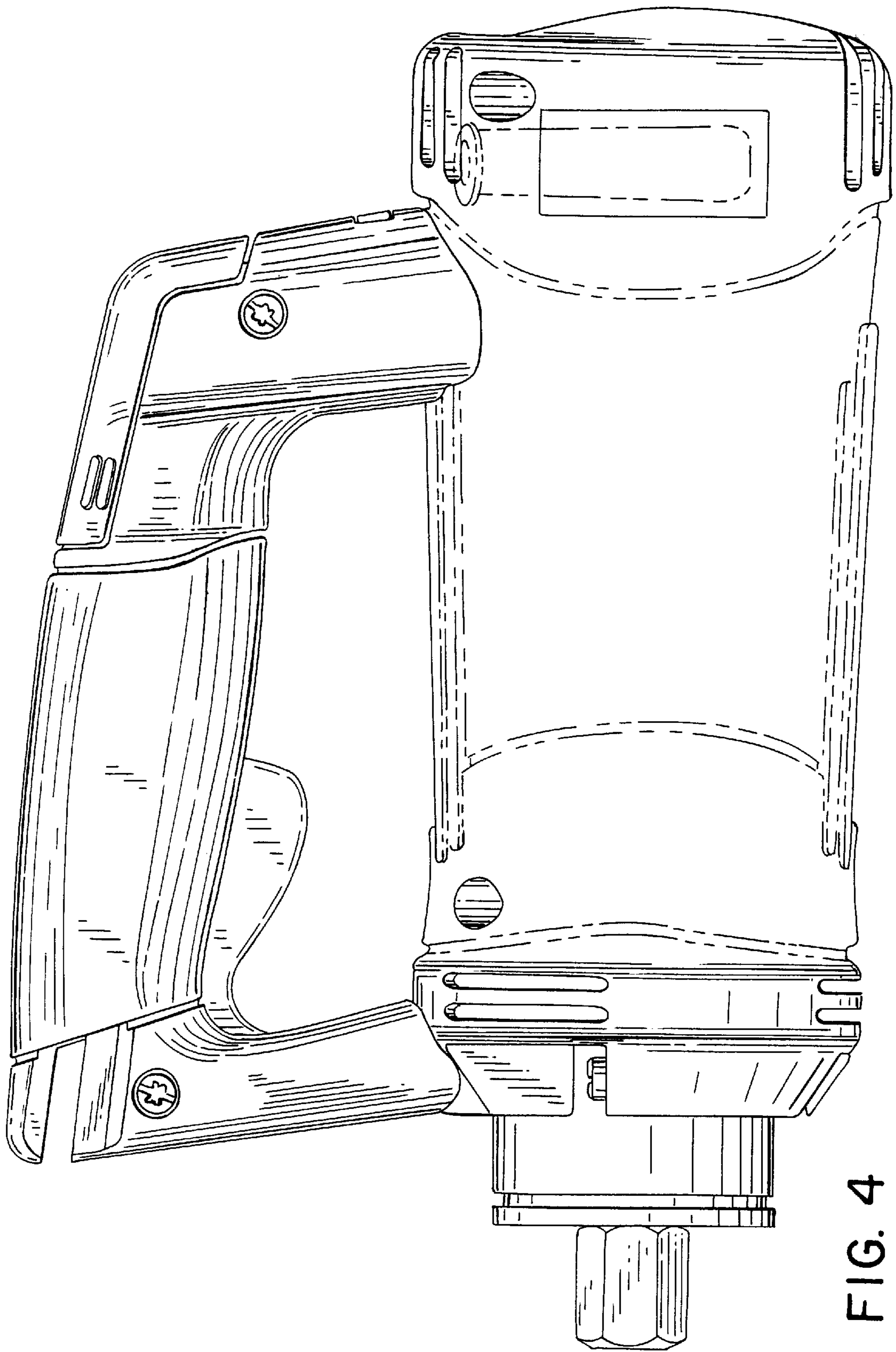


FIG. 4

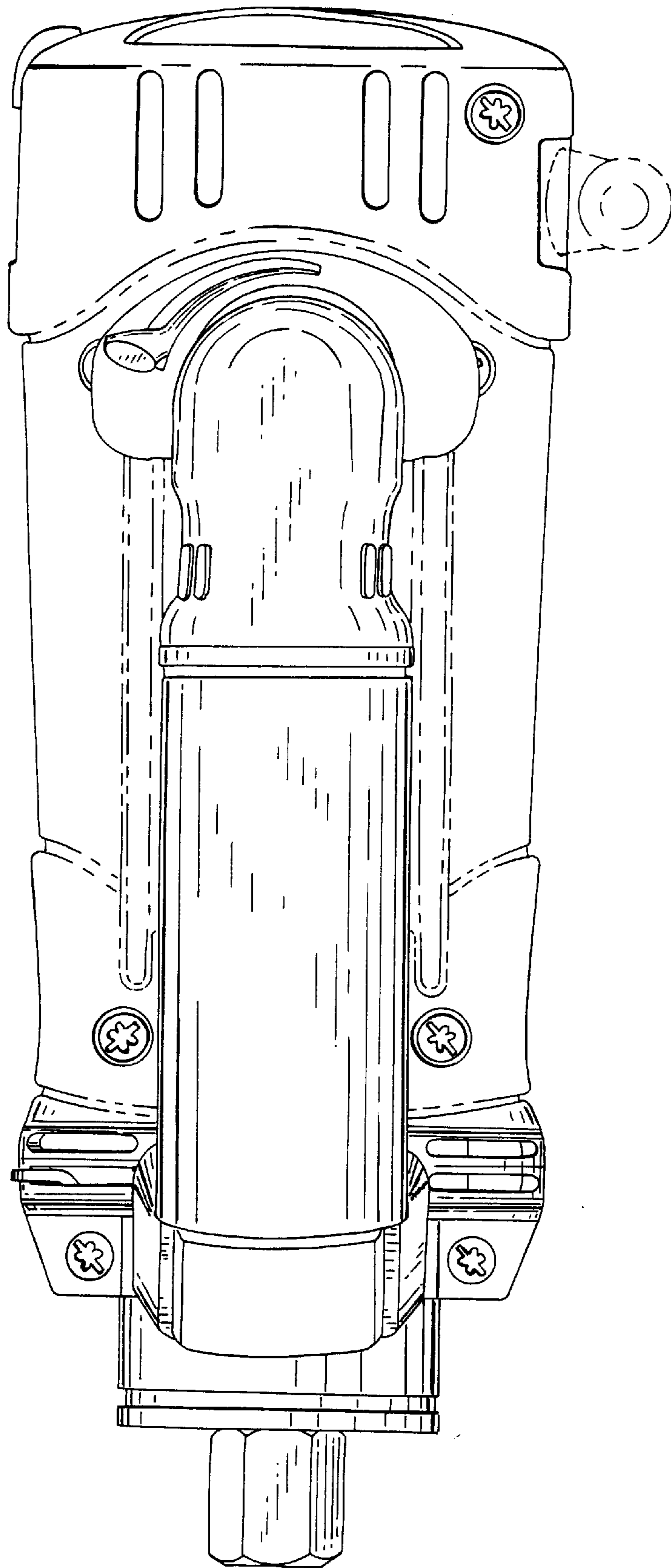


FIG. 5

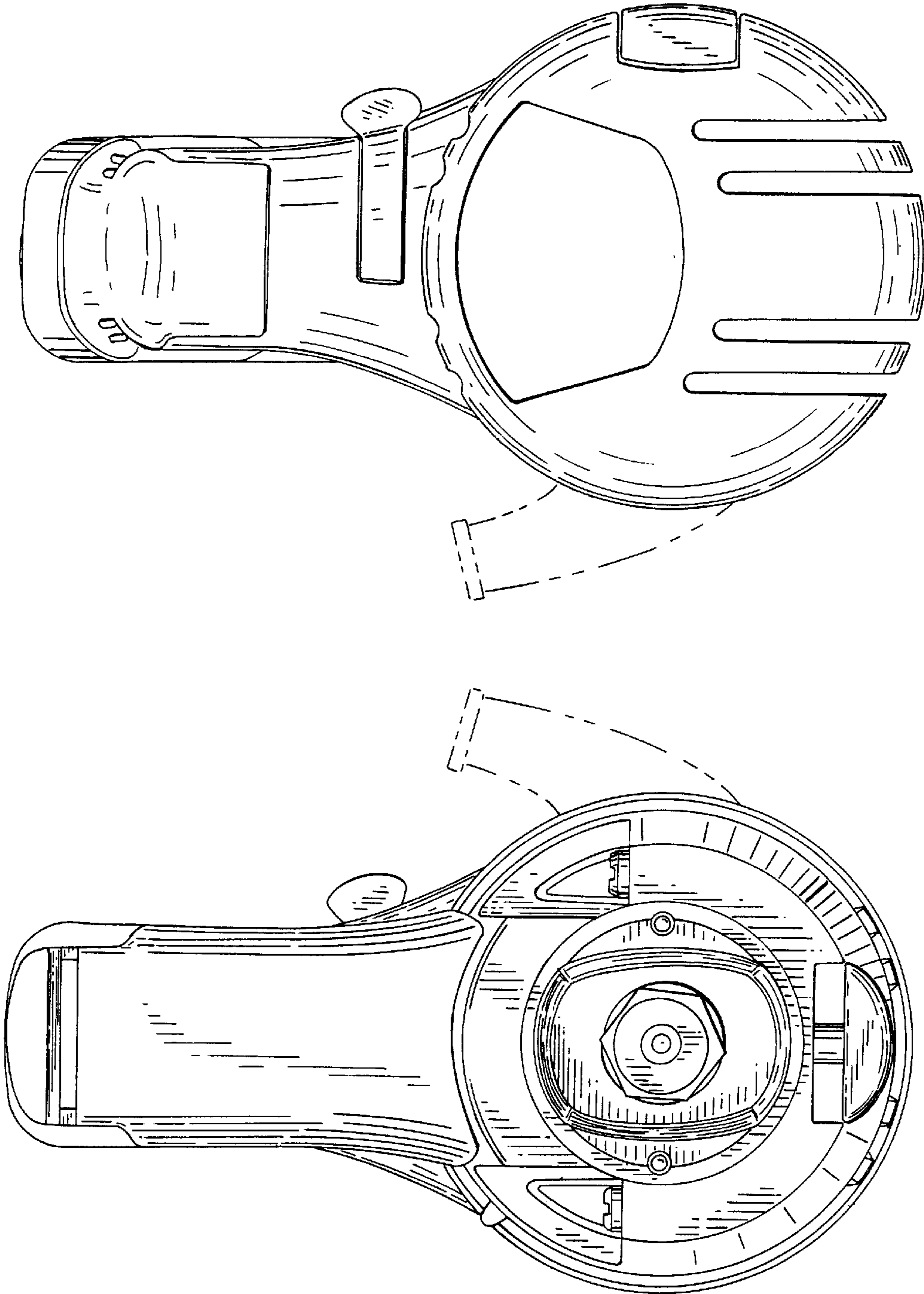


FIG. 7

FIG. 6

UNITED STATES PATENT AND TRADEMARK OFFICE
CERTIFICATE OF CORRECTION

PATENT NO. : Des 439,484 S
DATED : March 27, 2001
INVENTOR(S) : Adler et al.

Page 1 of 1

It is certified that error appears in the above-identified patent and that said Letters Patent is hereby corrected as shown below:

Title page.

Item [73], Assignee: please delete "Roto-Zip Tool Corporation" and insert therefor --
Roto Zip Tool Corporation --

Signed and Sealed this
Eleventh Day of December, 2001

Attest:

Nicholas P. Godici

Attesting Officer

NICHOLAS P. GODICI
Acting Director of the United States Patent and Trademark Office