



US00D439483S

(12) **United States Design Patent**
Zurwelle et al.

(10) **Patent No.:** **US D439,483 S**

(45) **Date of Patent:** **** Mar. 27, 2001**

(54) **SHOE FOR A CIRCULAR SAW**

(75) Inventors: **Donald W. Zurwelle**, Lutherville, MD (US); **Bruce M. Waters**, Lancaster, PA (US); **Brand Hollinger**, Lancaster, PA (US); **Meyric K. Rogers**, Lancaster, PA (US)

(73) Assignee: **Black & Decker Inc.**, Newark, DE (US)

(**) Term: **14 Years**

(21) Appl. No.: **29/121,782**

(22) Filed: **Apr. 11, 2000**

Related U.S. Application Data

(62) Division of application No. 29/112,889, filed on Oct. 26, 1999, now Pat. No. Des. 426,759, which is a division of application No. 29/096,998, filed on Nov. 24, 1998, now Pat. No. Des. 421,885, which is a division of application No. 29/083,521, filed on Feb. 6, 1998, now Pat. No. Des. 408,248.

(51) **LOC (7) Cl.** **08-03**

(52) **U.S. Cl.** **D8/66**

(58) **Field of Search** D8/66; 30/375-377, 30/388-391

(56) **References Cited**

U.S. PATENT DOCUMENTS

D. 329,363 * 9/1992 Samki et al. D8/66

* cited by examiner

Primary Examiner—Antoine Duval Davis

(74) *Attorney, Agent, or Firm*—Adan Ayala

(57) **CLAIM**

The ornamental design for a shoe for a circular saw, as shown and described.

DESCRIPTION

FIG. 1 is a right side perspective view from the front showing my new design;

FIG. 2 is a right side elevational view of my new design;

FIG. 3 is a left side elevational view of my new design;

FIG. 4 is a front elevational view of my new design;

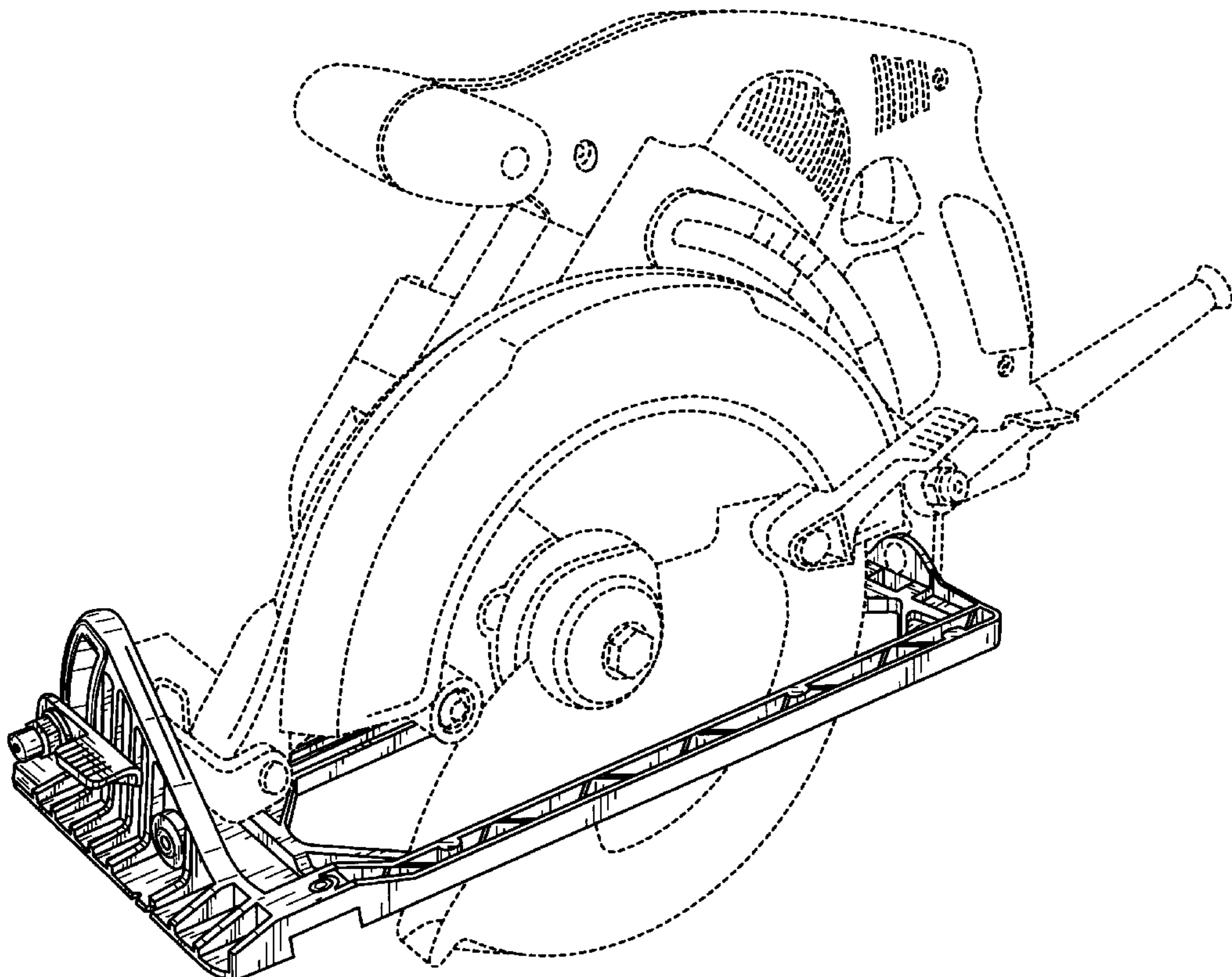
FIG. 5 is a rear elevational view of my new design;

FIG. 6 is a top plan view of my new design; and,

FIG. 7 is a bottom plan view of my new design.

In the above drawings, any broken line illustration is not part of the design sought to be patented.

1 Claim, 7 Drawing Sheets



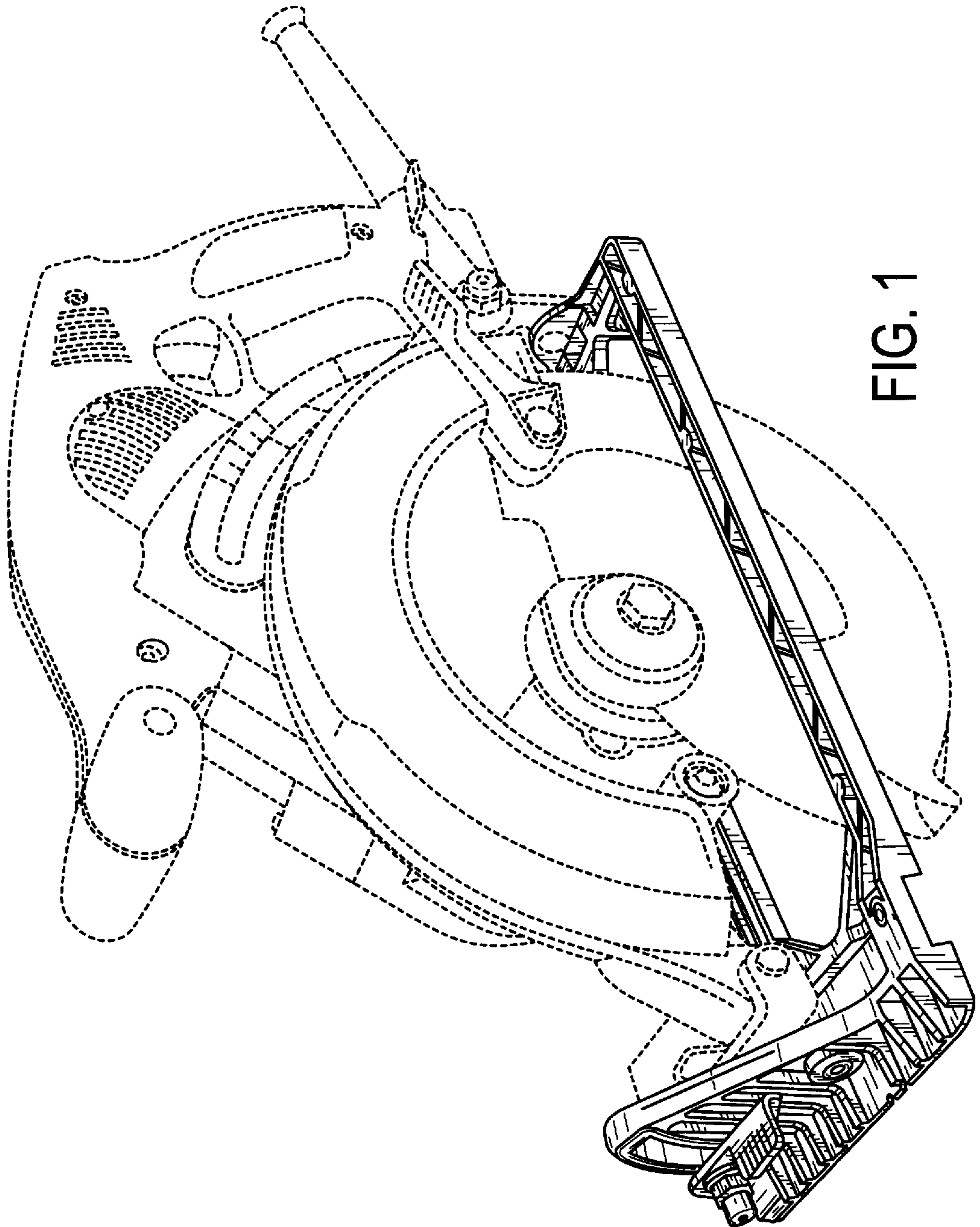


FIG. 1

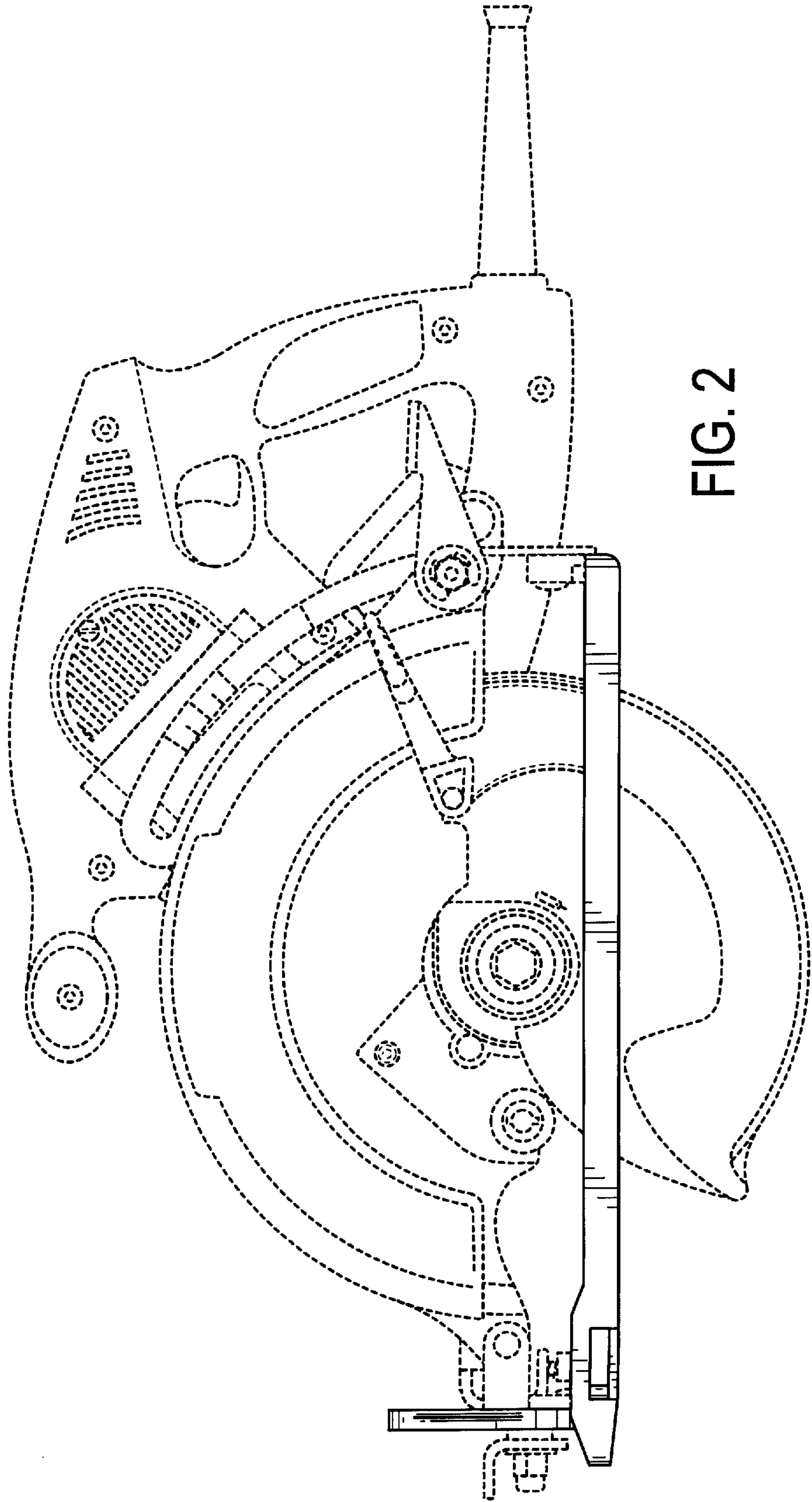


FIG. 2

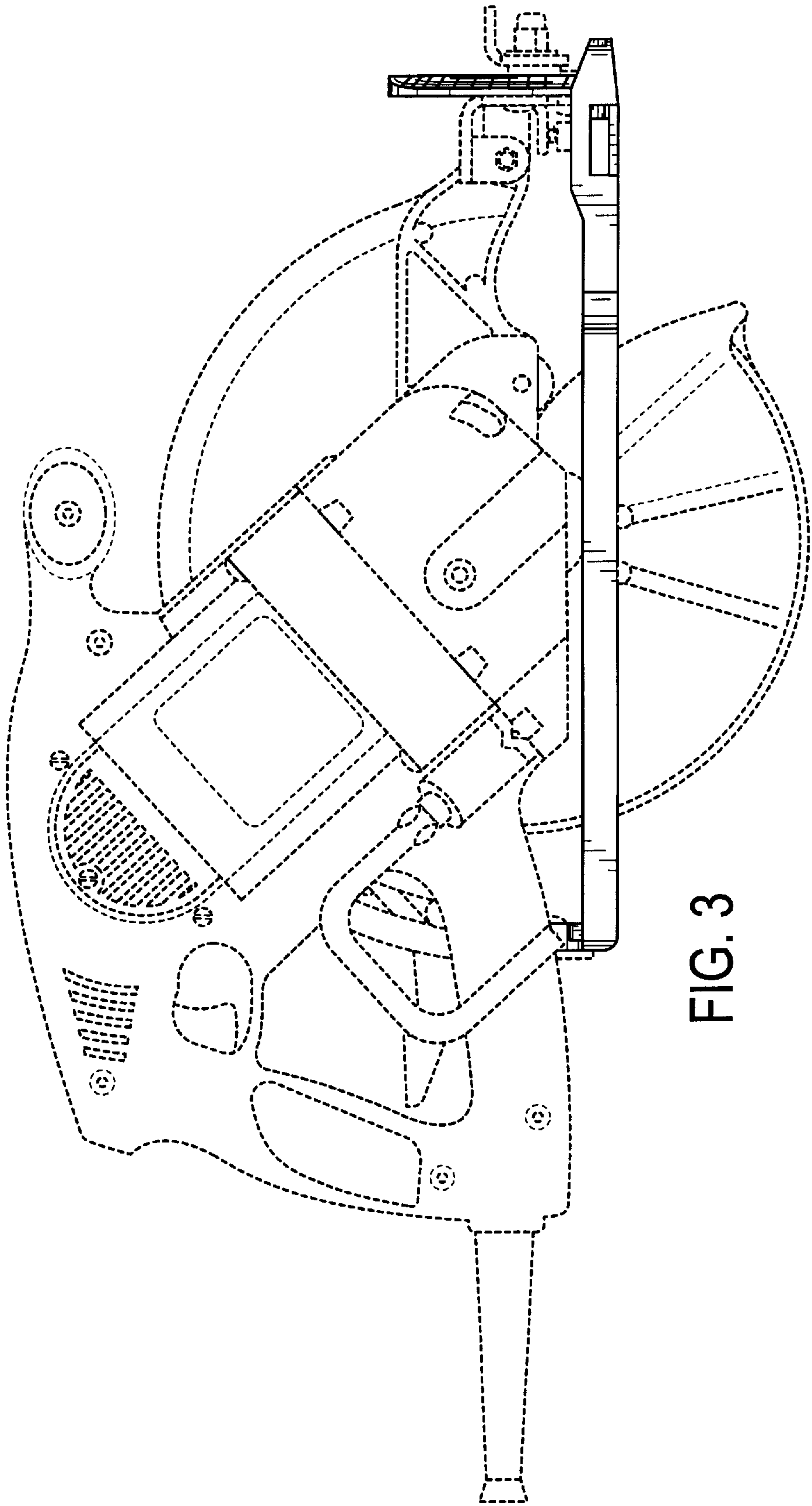


FIG. 3

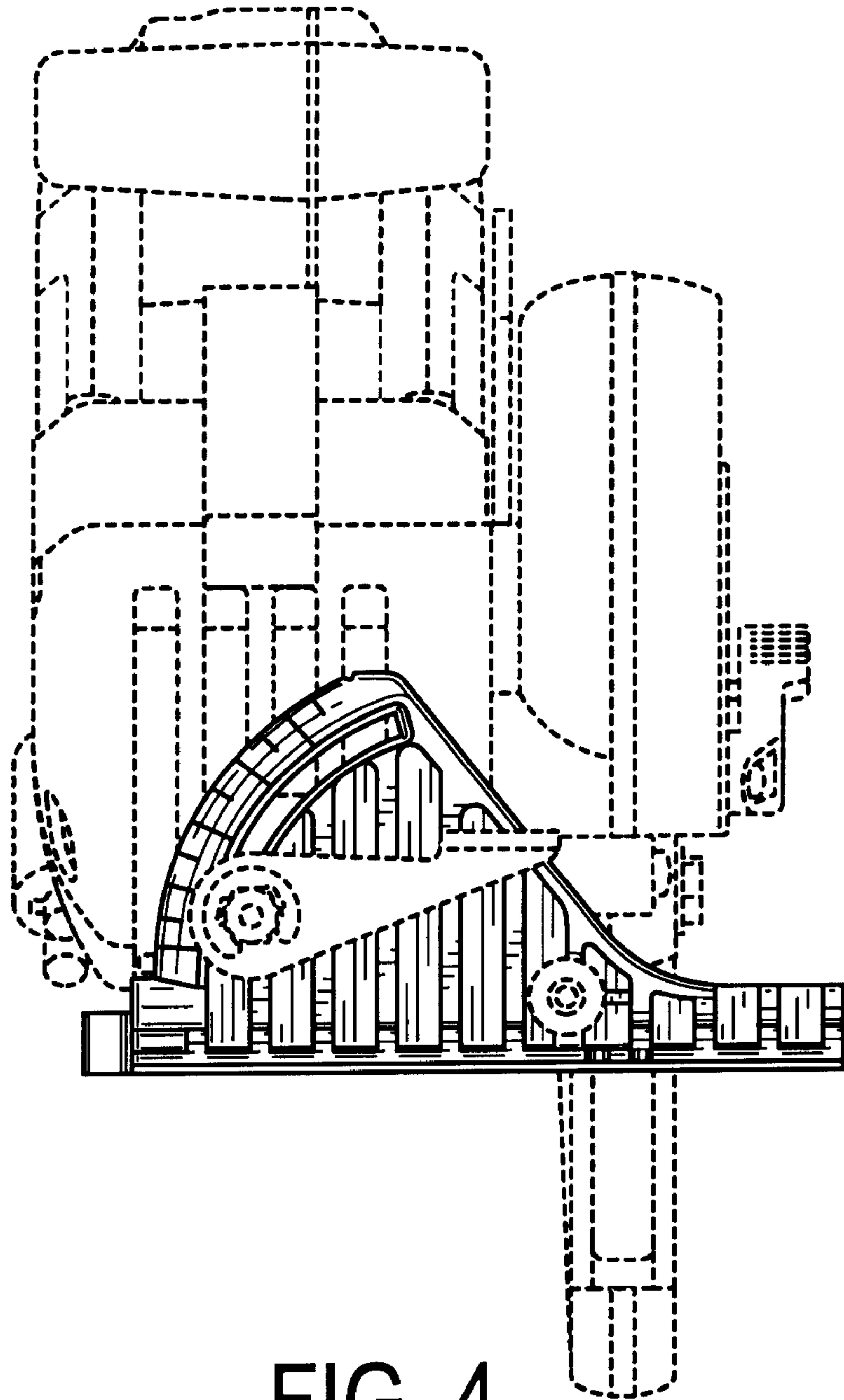


FIG. 4

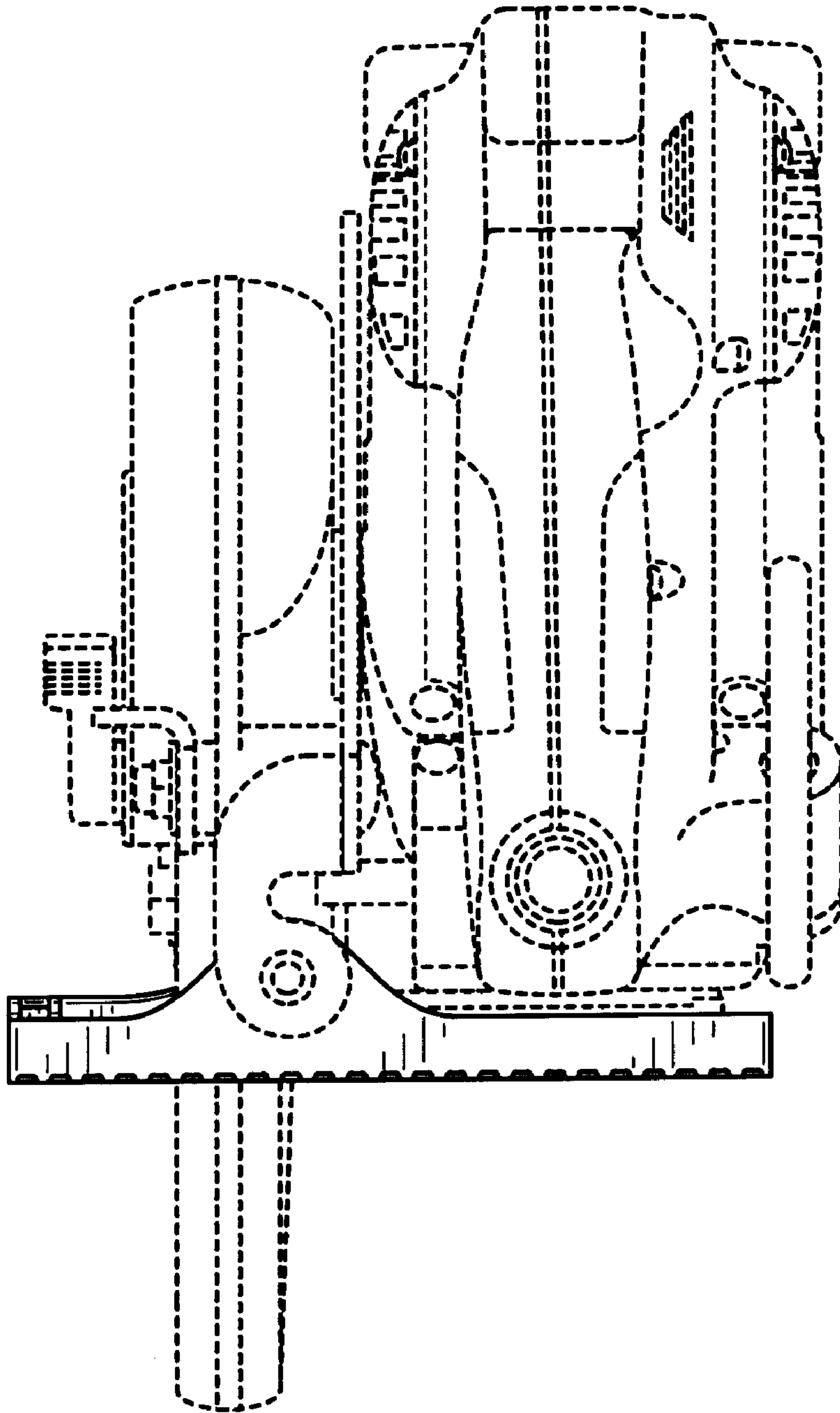


FIG. 5

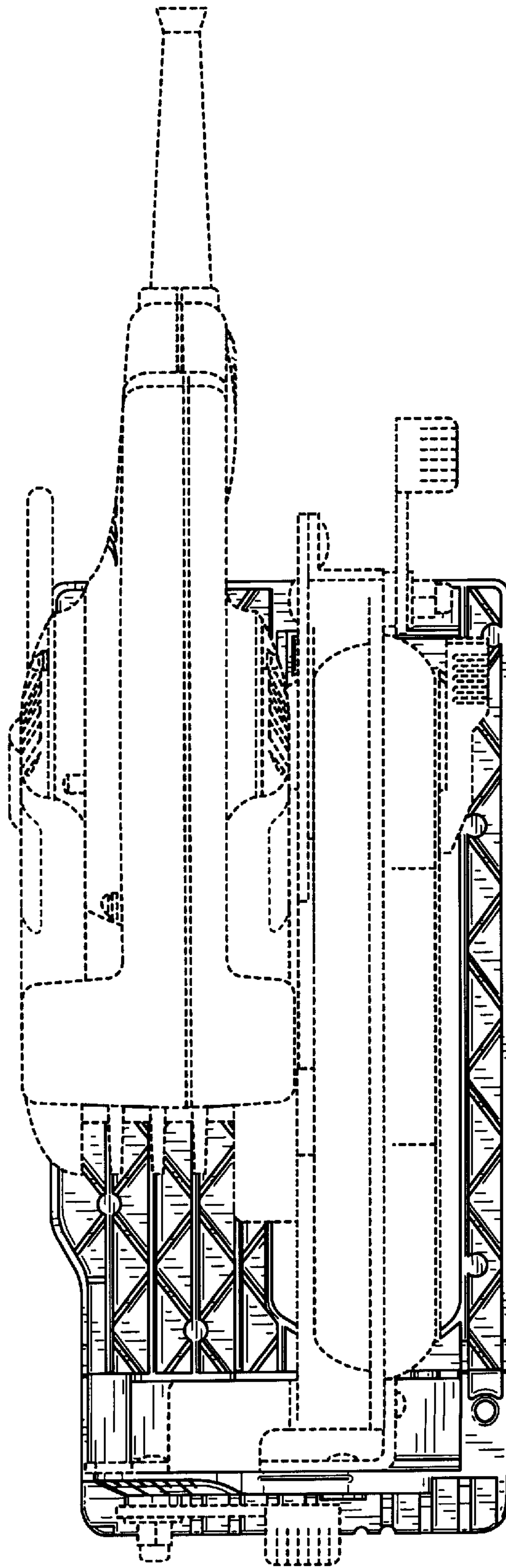


FIG. 6

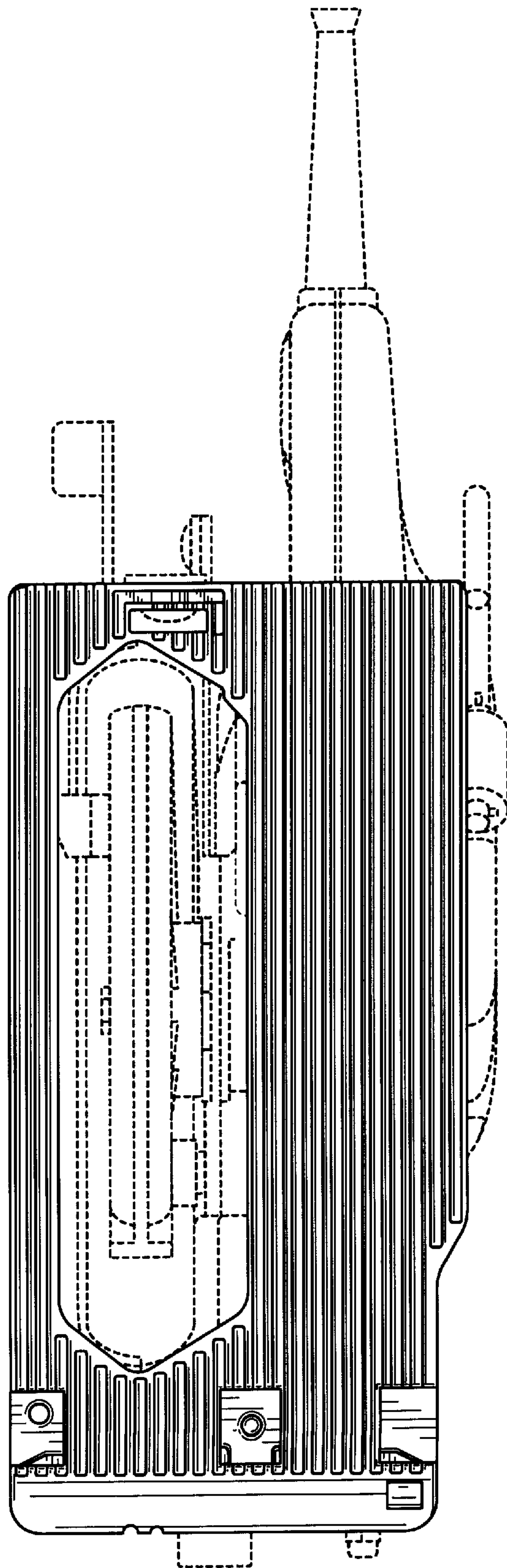


FIG. 7