



US00D439482S

(12) **United States Design Patent**
Huang

(10) **Patent No.:** **US D439,482 S**

(45) **Date of Patent:** **** Mar. 27, 2001**

(54) **BOTTLE OPENER**

(76) **Inventor:** **Tsu-Jen Huang**, 11th Fl., No. 232, Sec. 4, Chungking N. Rd., Taipei (TW)

(**) **Term:** **14 Years**

(21) **Appl. No.:** **29/129,256**

(22) **Filed:** **Sep. 12, 2000**

(51) **LOC (7) Cl.** **07-99**

(52) **U.S. Cl.** **D8/40**

(58) **Field of Search** D8/33-43, 18, D8/19; 30/400-443; 81/3.07-3.49; 7/151-156; D3/207, 208, 210, 211

(56) **References Cited**

U.S. PATENT DOCUMENTS

D. 172,571	*	7/1954	Ward	81/3.09	X
D. 276,691	*	12/1984	Nielsen	D8/40	
D. 277,725	*	2/1985	Silkebakken et al.	D8/40	
D. 278,024	*	3/1985	Hoffman et al.	D8/40	
D. 278,203	*	4/1985	Braukmann	D8/40	
D. 281,389	*	11/1985	Summers	D8/40	
D. 287,693	*	1/1987	Janiszkeski	D8/40	
D. 296,978	*	8/1988	Smith	D8/34	
D. 316,362	*	4/1991	Hughes	D8/40	
D. 358,311	*	5/1995	Sarnoff et al.	D8/34	
D. 410,771	*	6/1999	Chang	D3/208	

1,007,502	*	10/1911	Stephens	81/3.09	
1,661,333	*	3/1928	Gurnett	81/3.09	
2,430,651	*	11/1947	Shanahan	81/3.55	X
4,412,464	*	11/1983	Cook	81/3.09	
4,414,865	*	11/1983	Brooks et al.	81/3.09	
4,474,087	*	10/1984	Widman	81/3.09	
4,660,446	*	4/1987	Soltis	81/3.55	
4,723,465	*	2/1988	Hughes	81/3.09	
4,790,220	*	12/1988	Lloyd	81/3.09	
4,911,038	*	3/1990	Ferrin	81/3.09	

* cited by examiner

Primary Examiner—Jeffrey Asch

(74) *Attorney, Agent, or Firm*—Rosenberg, Klein & Lee

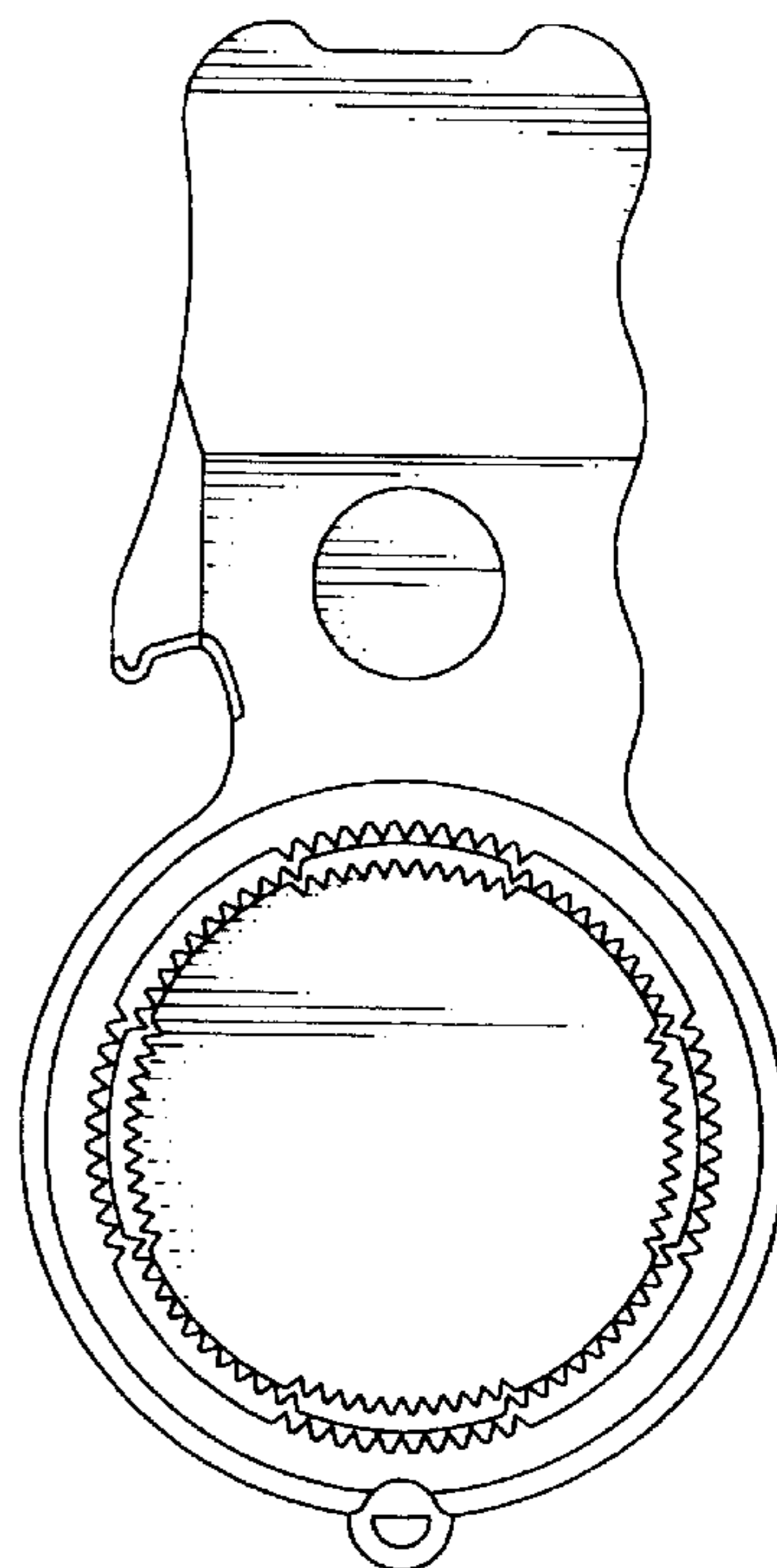
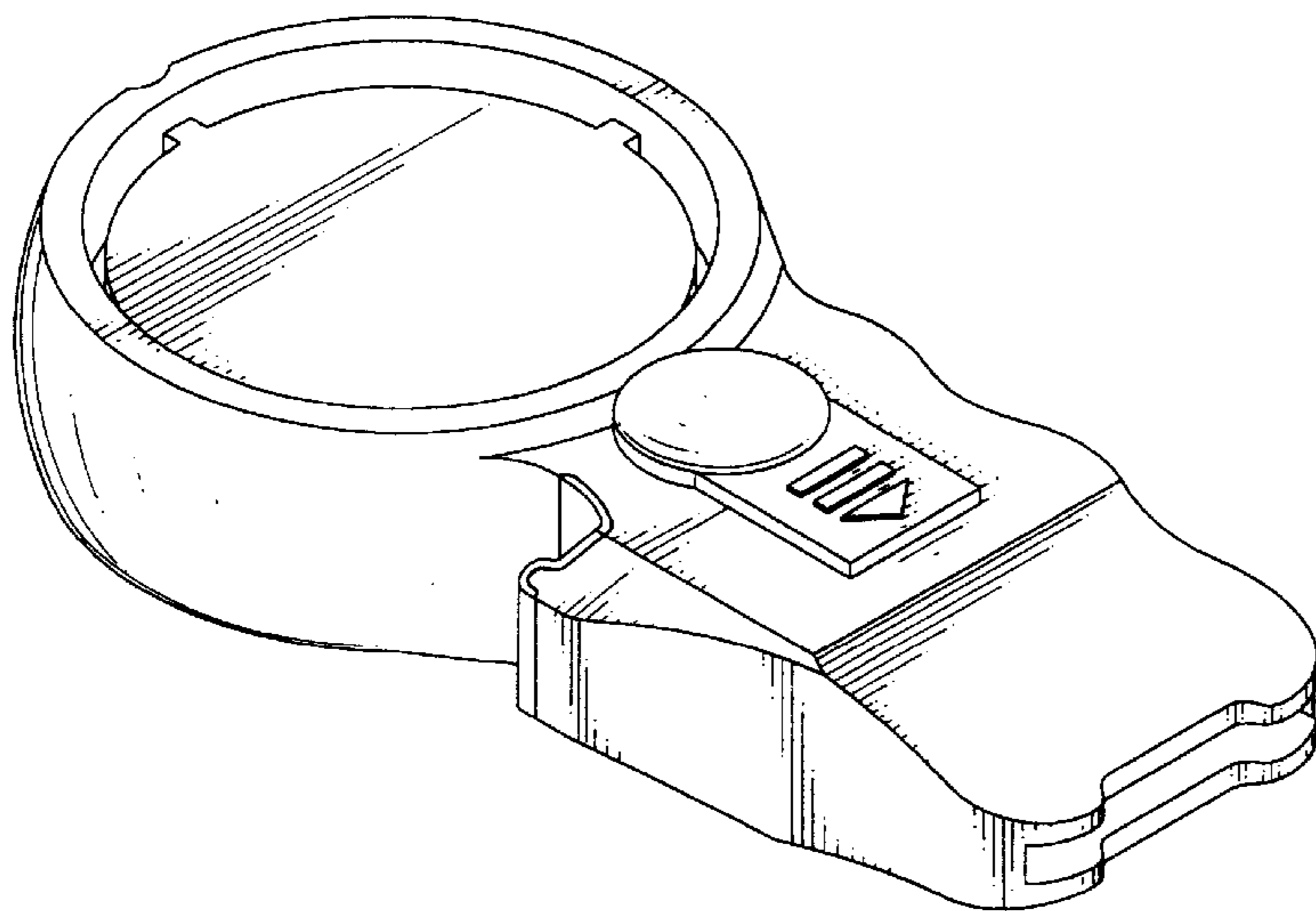
(57) **CLAIM**

The ornamental design for a bottle opener, as shown.

DESCRIPTION

FIG. 1 is a perspective view of a bottle opener, showing my new design;
FIG. 2 is a front elevational view thereof;
FIG. 3 is a rear elevational view thereof;
FIG. 4 is a left elevational view thereof;
FIG. 5 is a right elevational view thereof;
FIG. 6 is top plan view thereof; and,
FIG. 7 is a bottom plan view thereof.

1 Claim, 4 Drawing Sheets



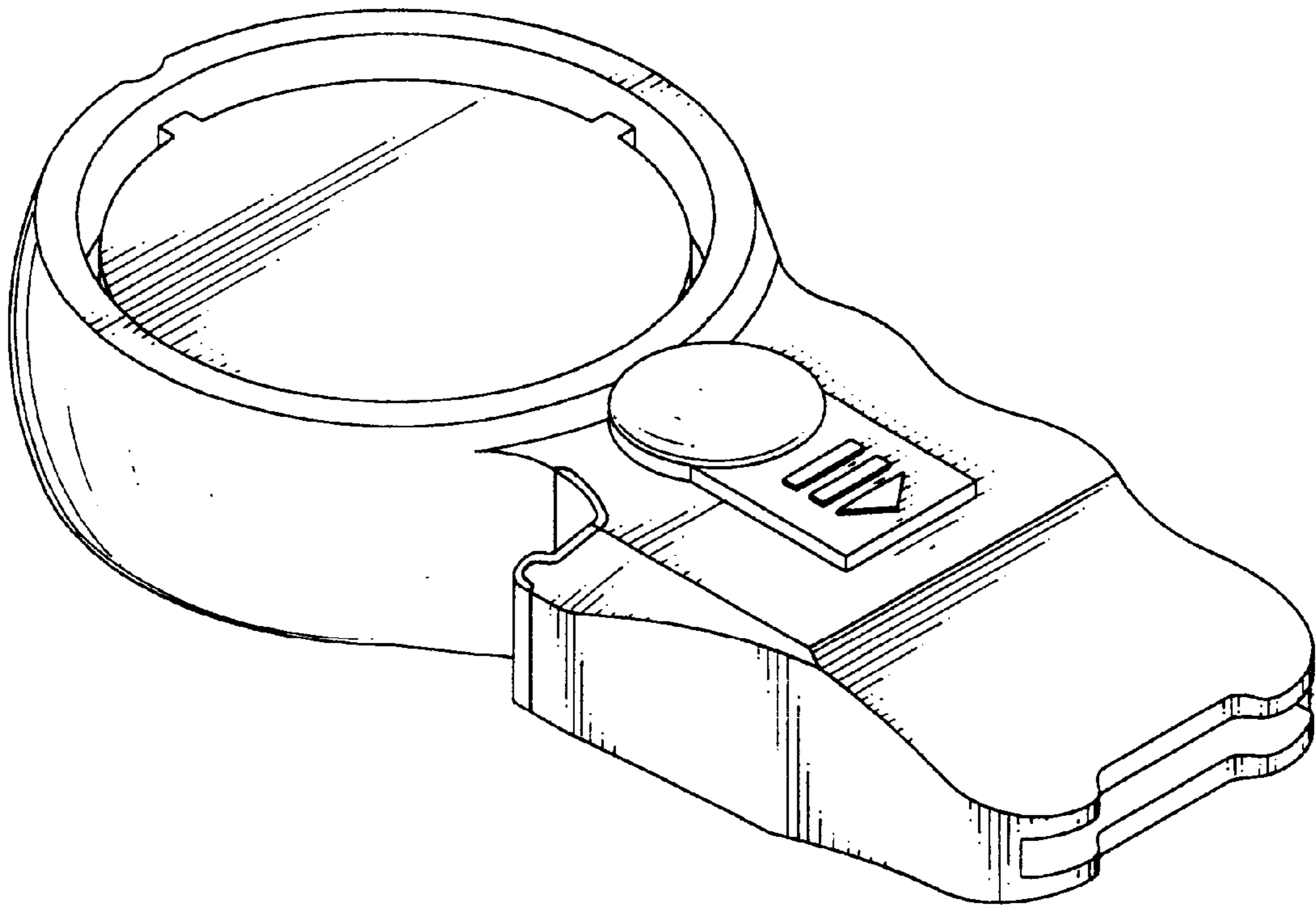


FIG. 1

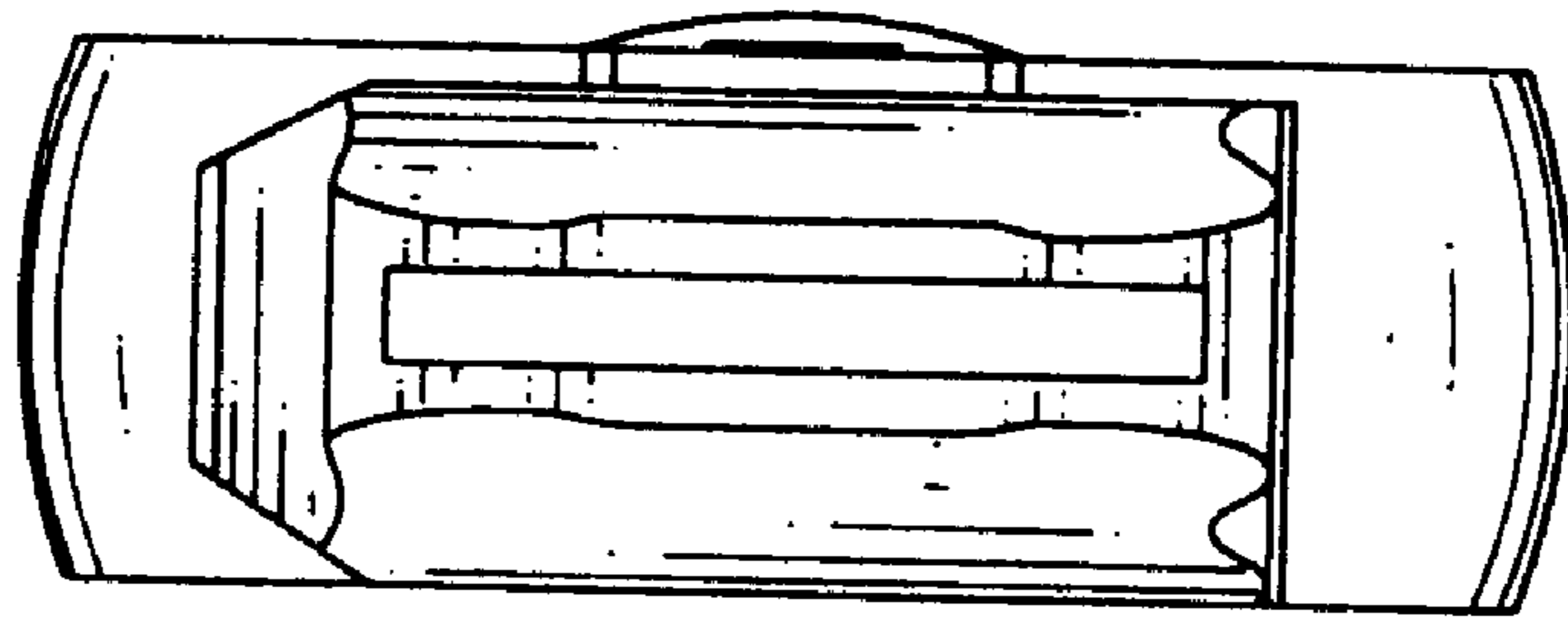


FIG. 2

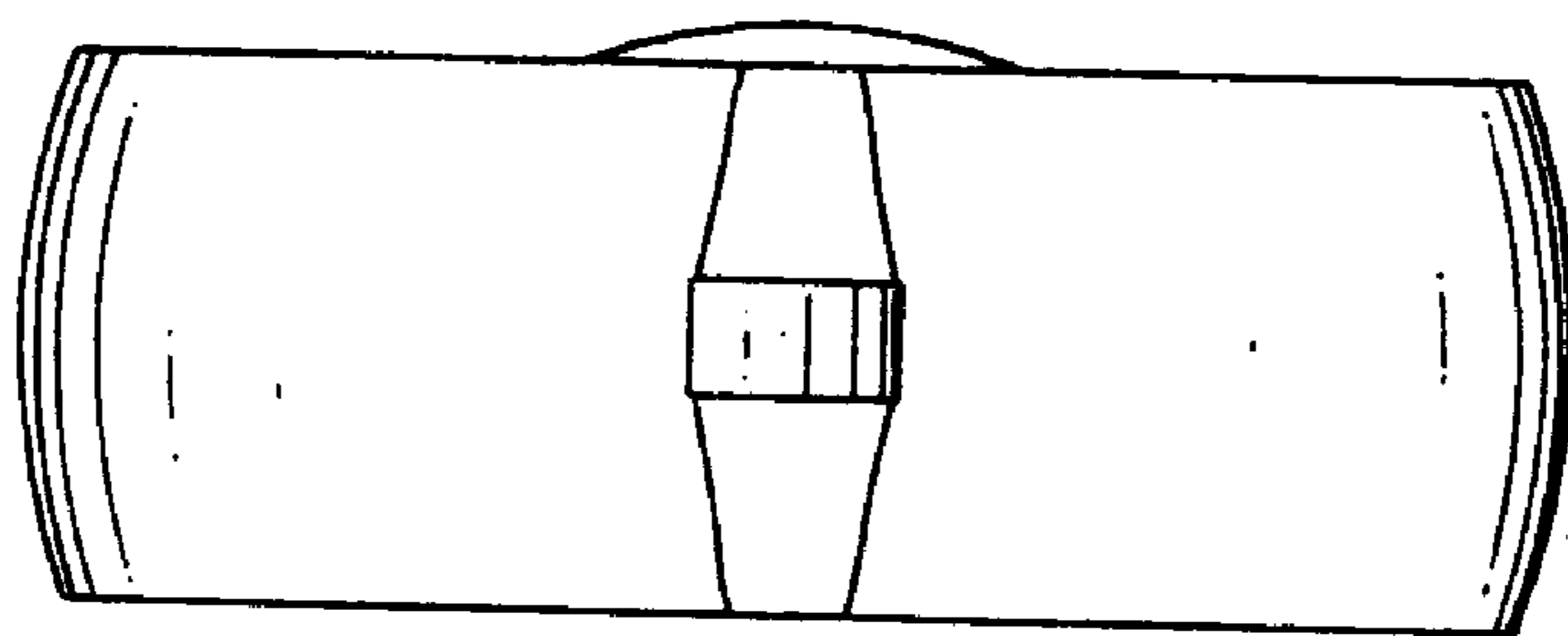


FIG. 3

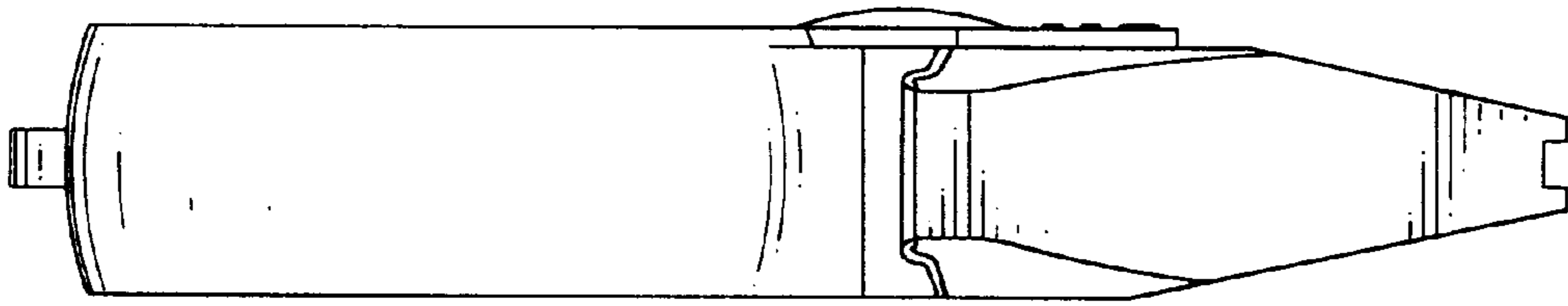


FIG. 4

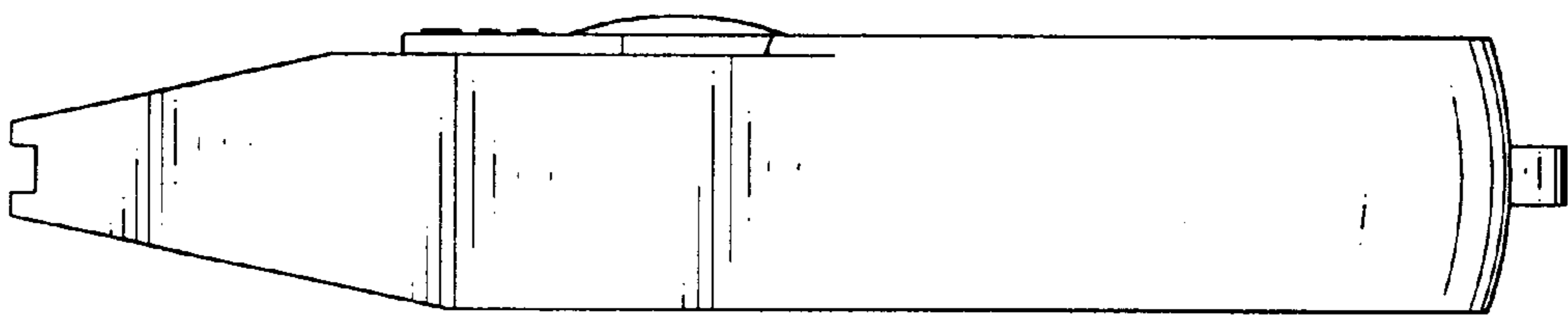


FIG. 5

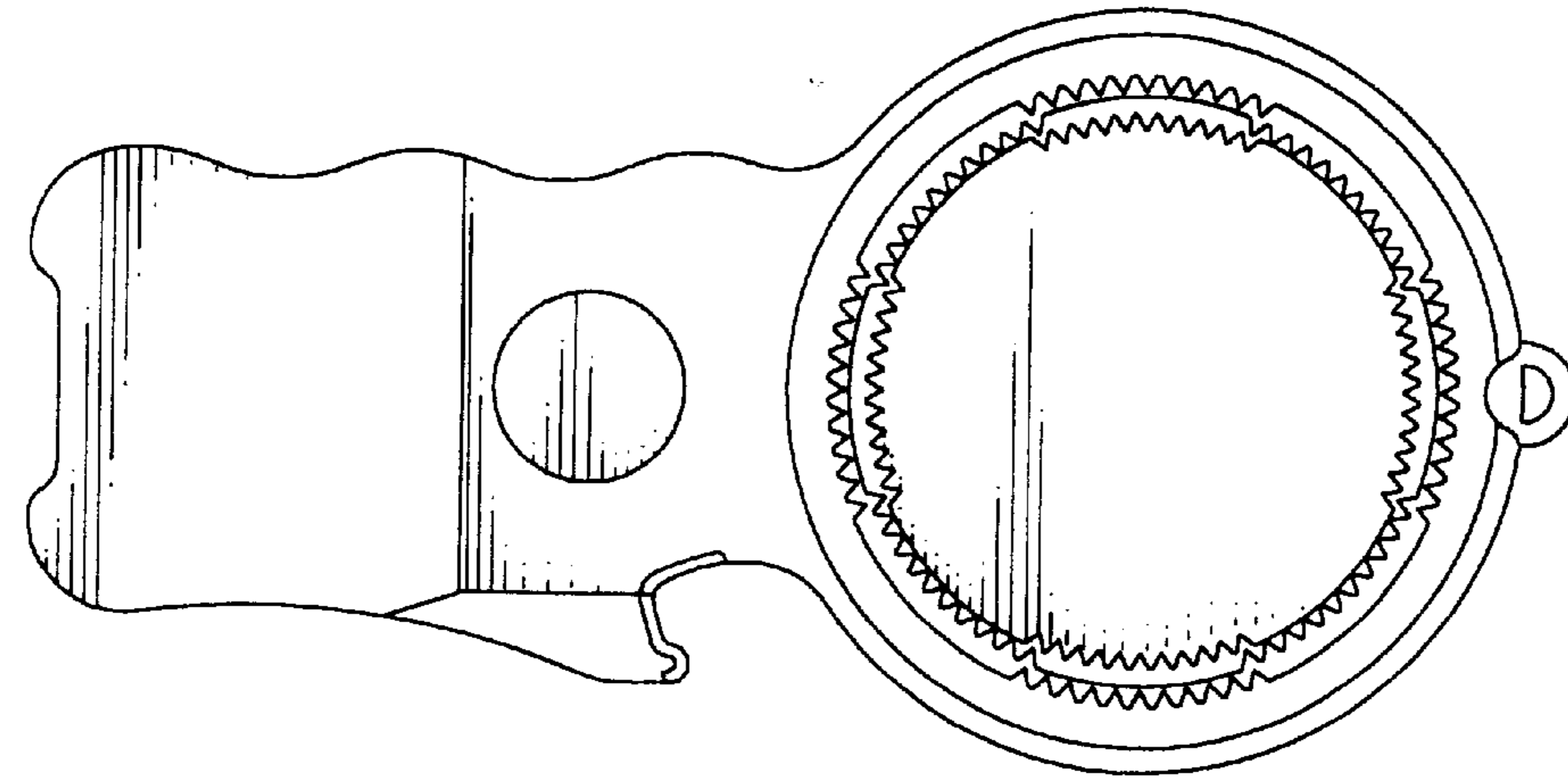


FIG.7

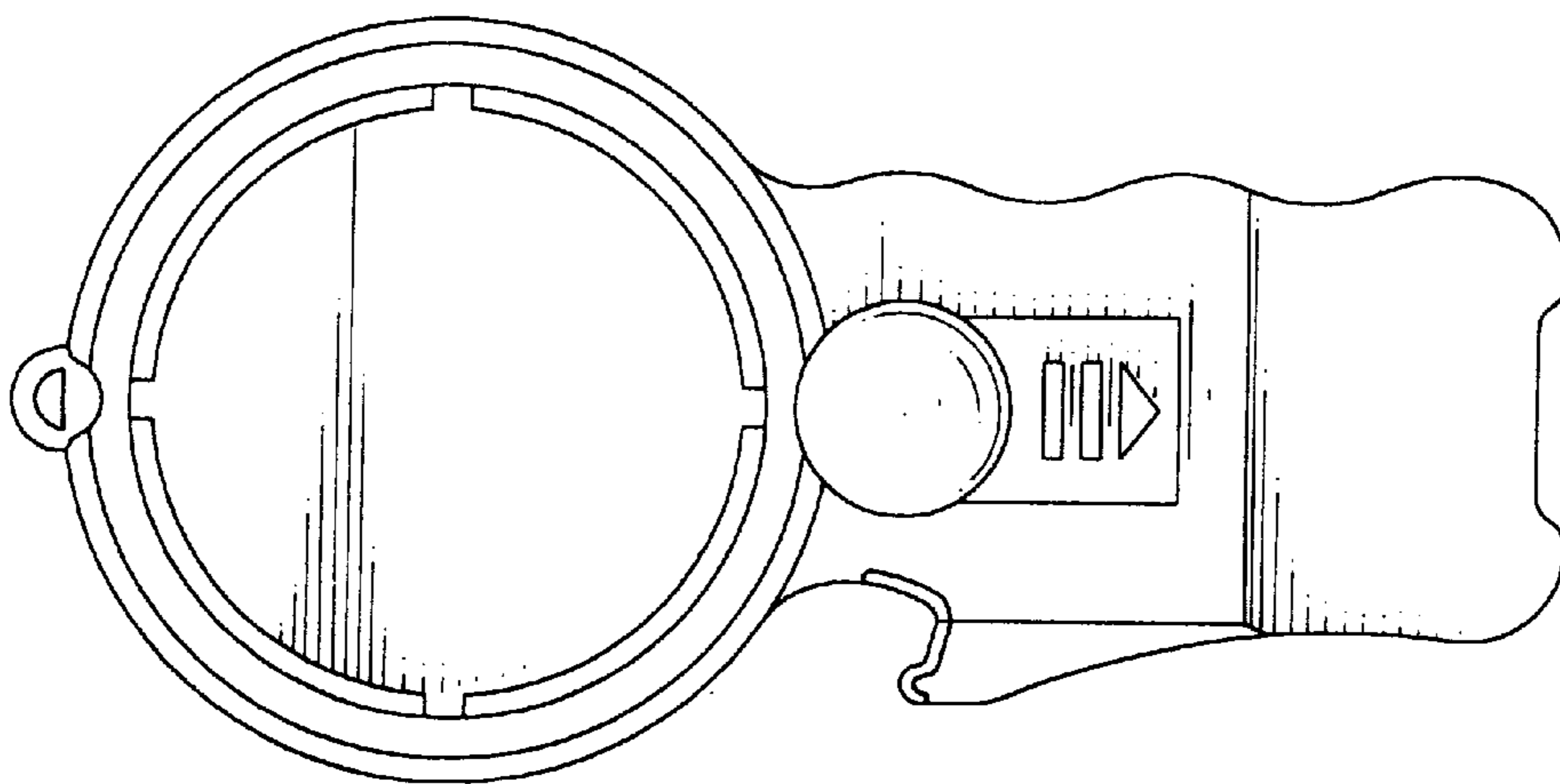


FIG.6