



US00D439481S

(12) **United States Design Patent**
Lin

(10) **Patent No.:** **US D439,481 S**

(45) **Date of Patent:** **** Mar. 27, 2001**

(54) **SOCKET TOOL**

(76) Inventor: **Chin Ho Lin**, No. 20, Lane 458, Guang Der Road, Tai Ping City, Taichung Hsien (TW)

(**) Term: **14 Years**

(21) Appl. No.: **29/113,451**

(22) Filed: **Nov. 5, 1999**

(51) **LOC (7) Cl.** **08-05**

(52) **U.S. Cl.** **D8/29**

(58) **Field of Search** D8/29; 81/442, 81/461, 185, DIG. 11

(56) **References Cited**

U.S. PATENT DOCUMENTS

- D. 375,028 * 10/1996 Moses D8/29
- D. 385,762 * 11/1997 Marks D8/29
- 5,829,328 * 11/1998 Chen 81/185

* cited by examiner

Primary Examiner—Prabhakar Deshmukh
(74) *Attorney, Agent, or Firm*—Charles E. Baxley

(57) **CLAIM**

The ornamental design for a socket tool, as shown and described.

DESCRIPTION

FIG. 1 is a perspective view of a socket tool showing my new design;

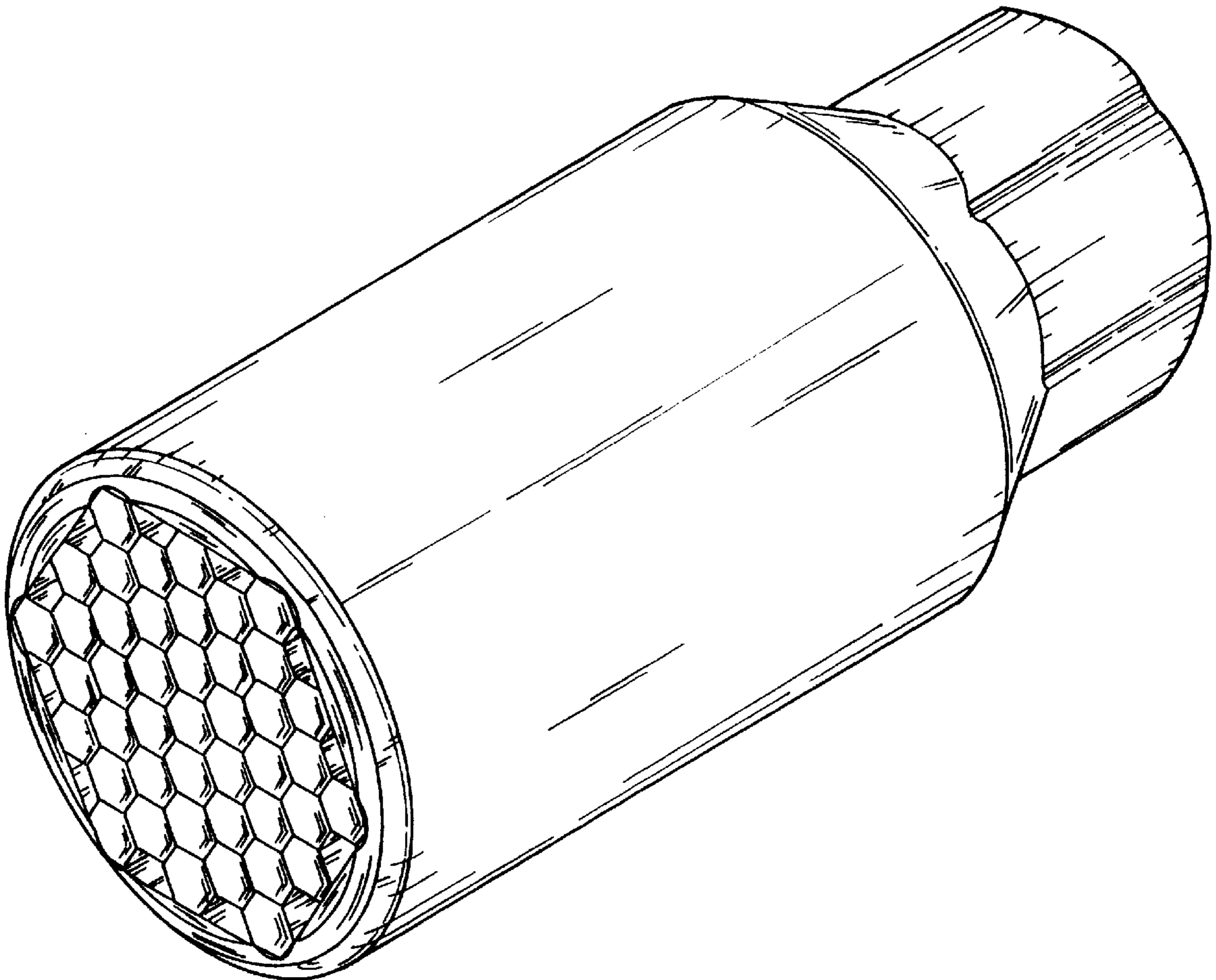
FIG. 2 is a front elevational view thereof, the rear being identical in appearance;

FIG. 3 is a top plan view thereof, the bottom being identical in appearance;

FIG. 4 is a left side elevational view thereof; and,

FIG. 5 is a right side elevational view thereof.

1 Claim, 4 Drawing Sheets



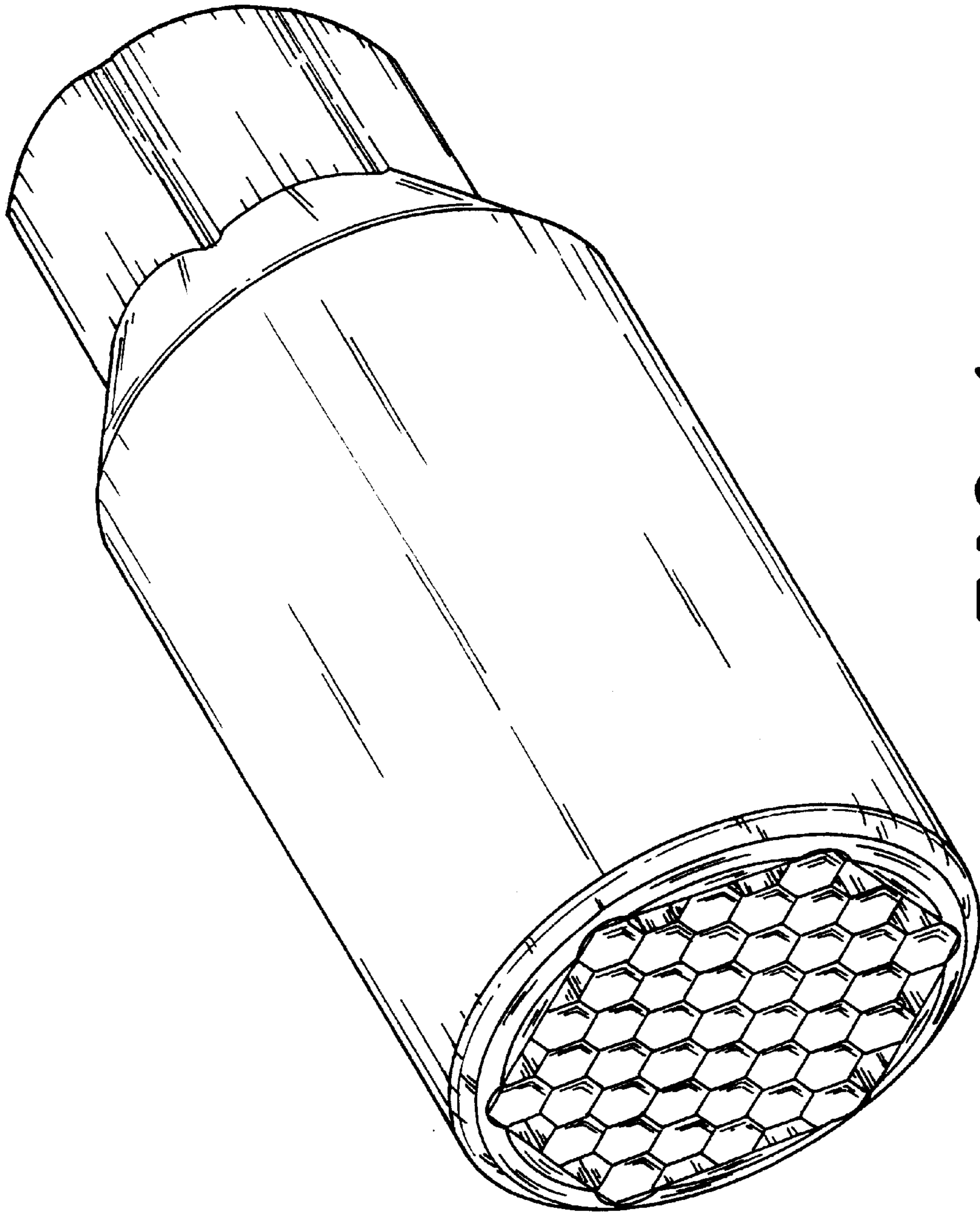


FIG. 1

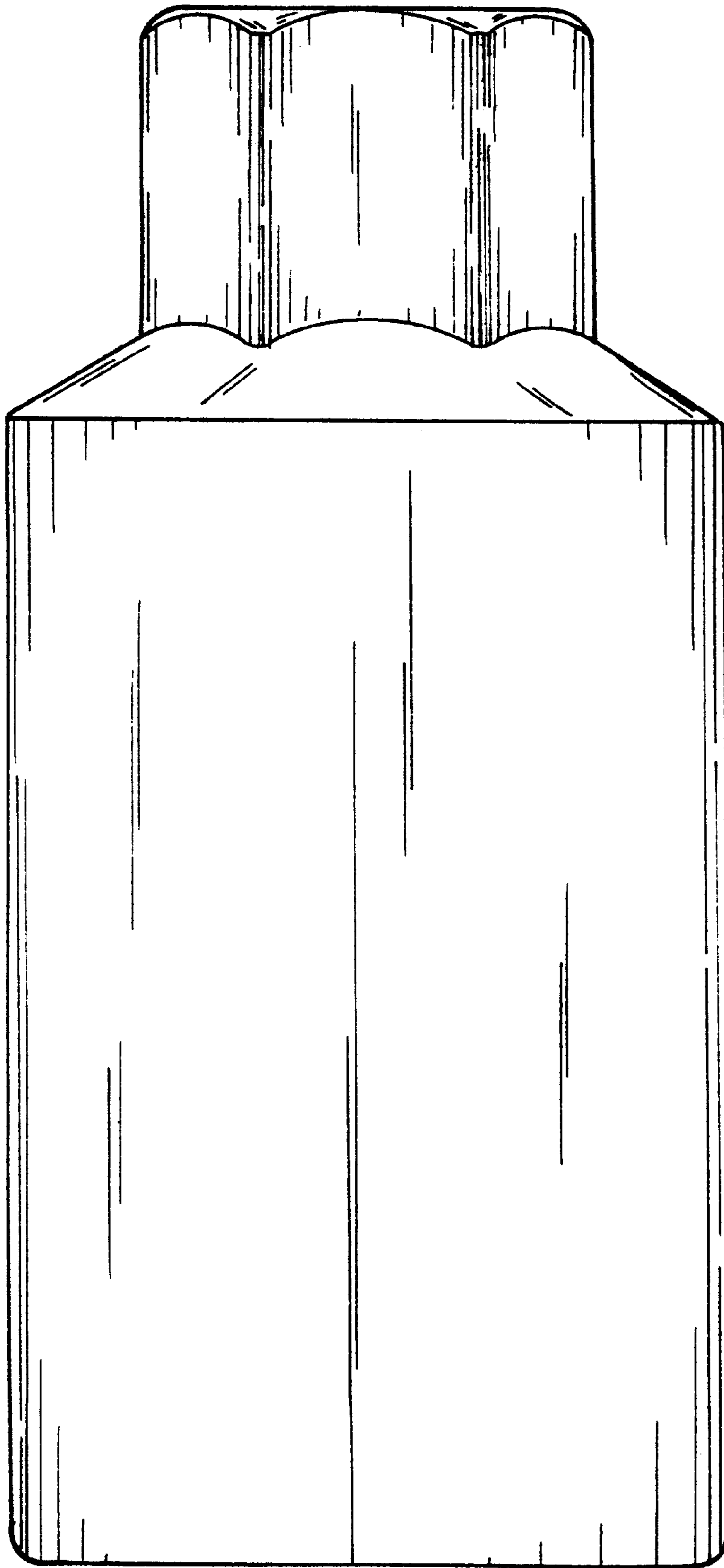


FIG. 2

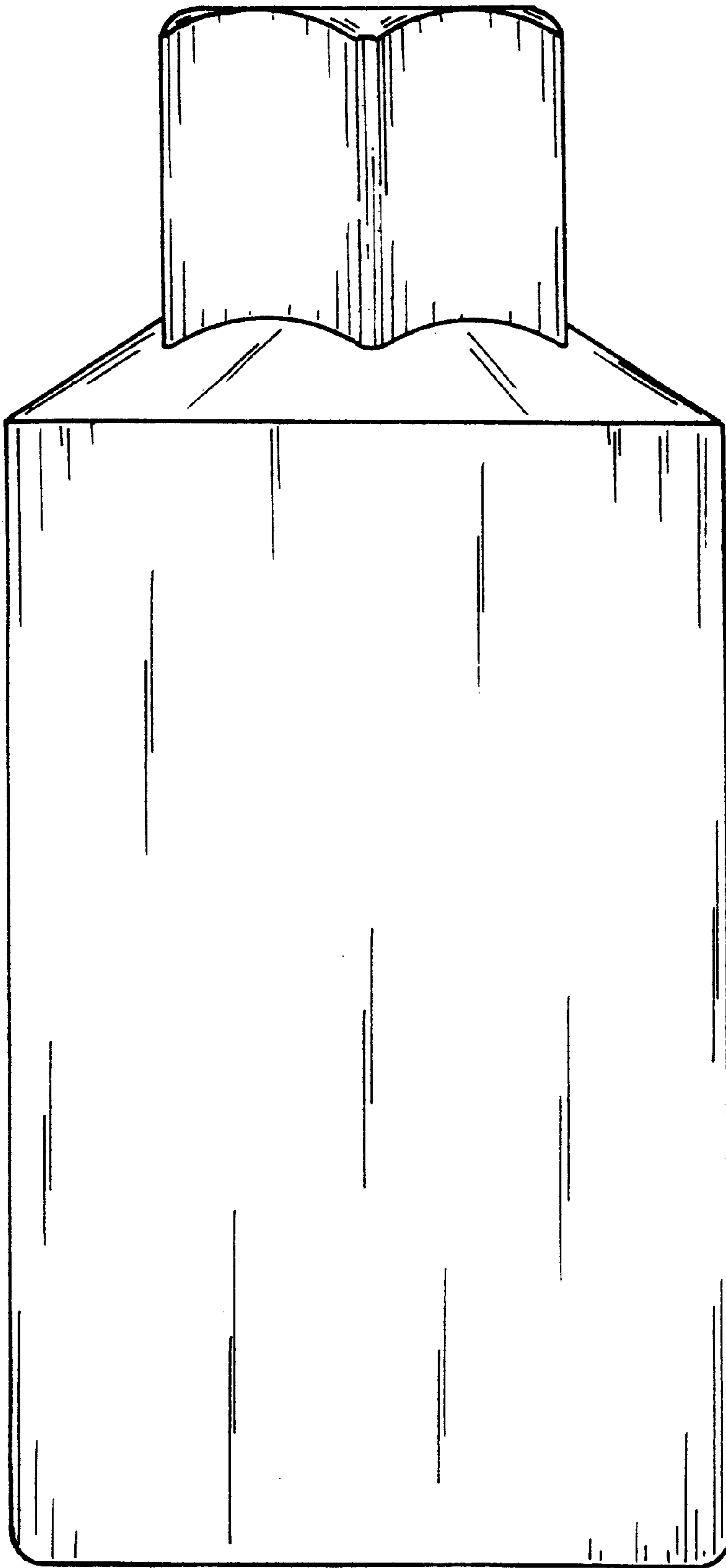


FIG. 3

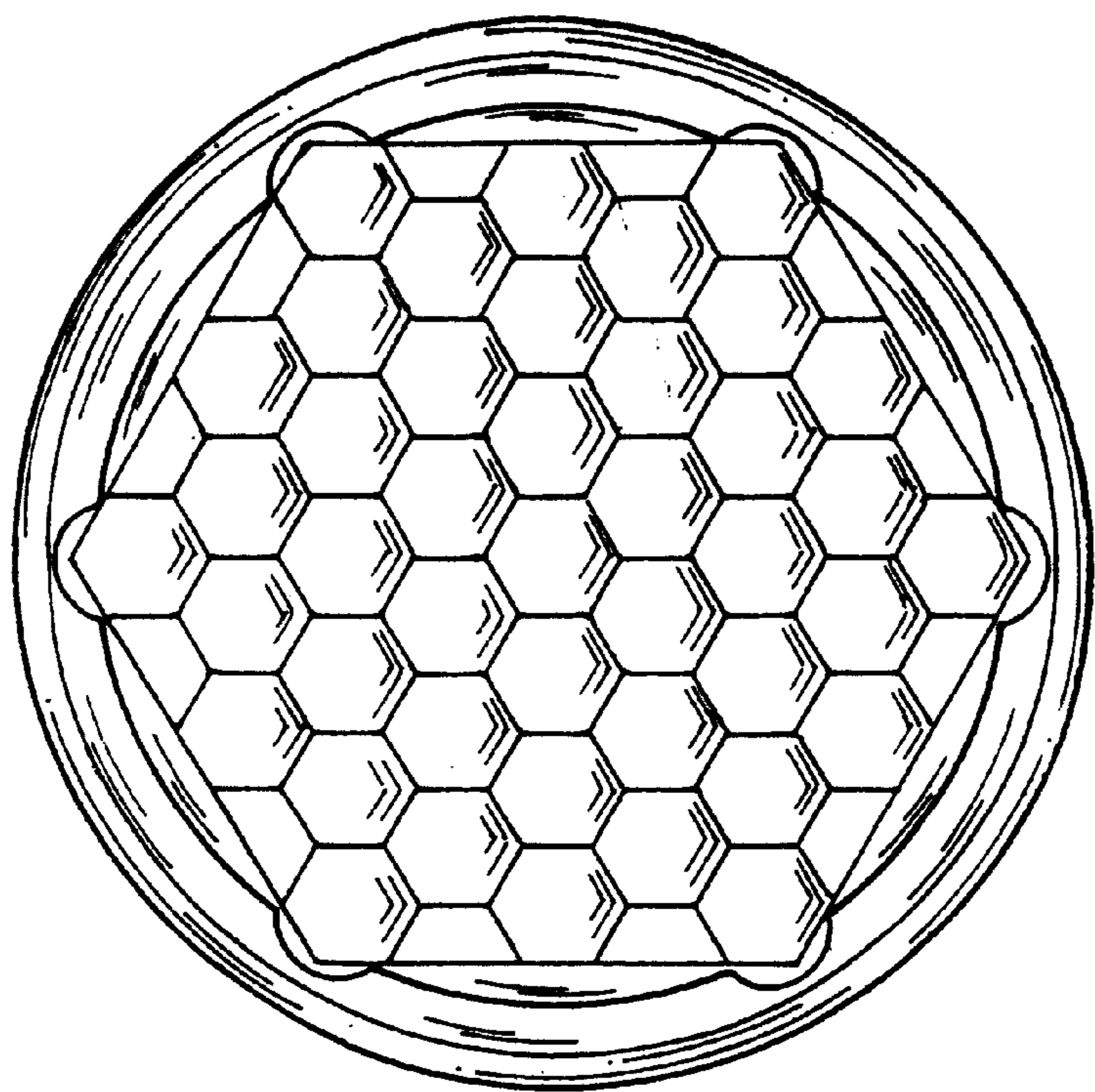


FIG. 4

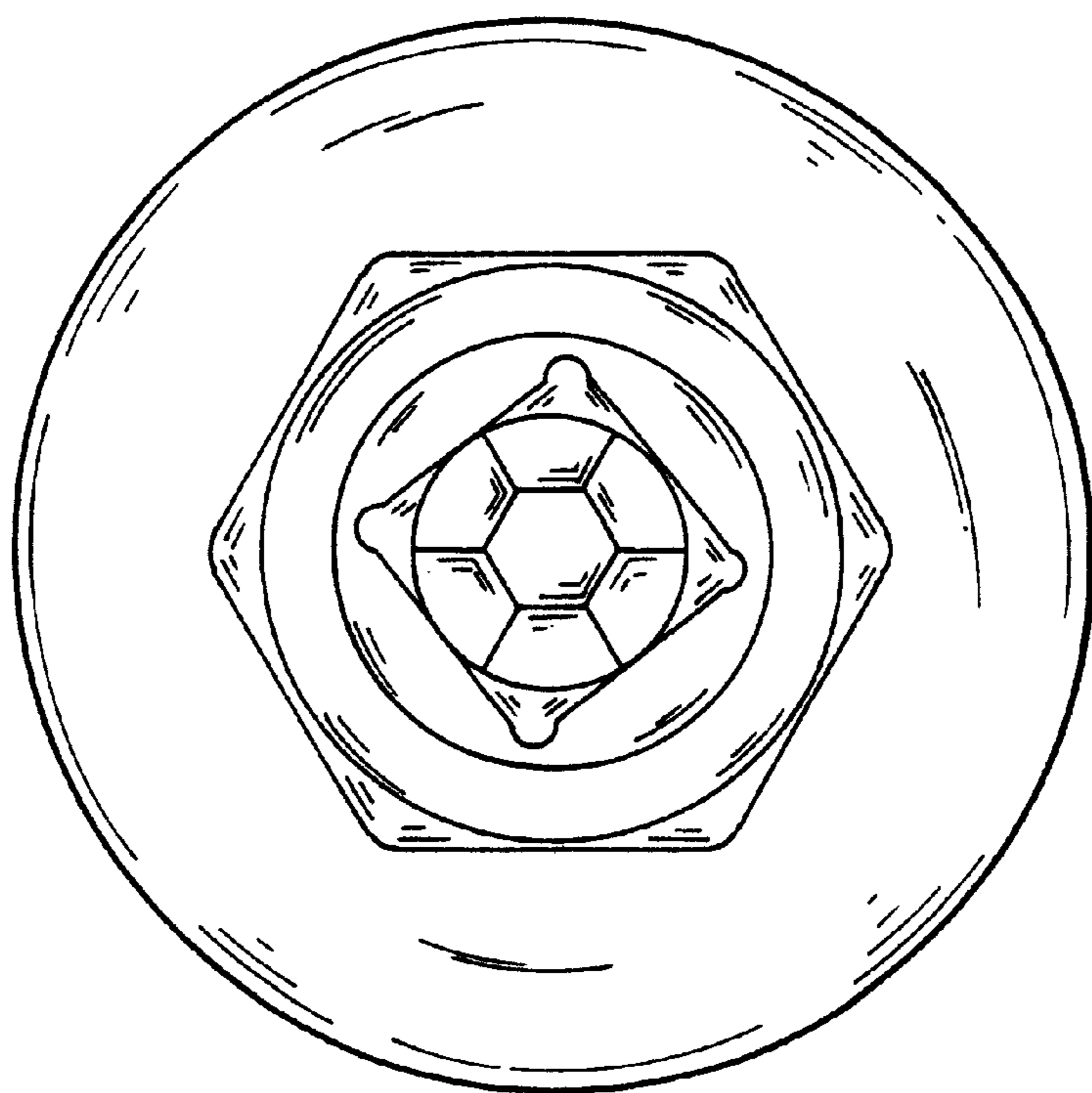


FIG. 5