



US00D439477S

(12) **United States Design Patent**
Kiernan

(10) **Patent No.:** **US D439,477 S**

(45) **Date of Patent:** **** Mar. 27, 2001**

(54) **PINT CONTAINER TOTE**

(76) **Inventor:** **Kevin Kiernan**, 2109 Henry Ct.,
Mahwah, NJ (US) 07430

(**) **Term:** **14 Years**

(21) **Appl. No.:** **29/120,388**

(22) **Filed:** **Mar. 20, 2000**

(51) **LOC (7) Cl.** **07-01**

(52) **U.S. Cl.** **D7/608**

(58) **Field of Search** D7/536, 538, 558,
D7/605, 608, 619; 62/457.1, 457.3-457.5,
371; 220/592.16, 592.17, 592.2, 592.24,
592.27, 780, 796, 737-740, 752

(56) **References Cited**

U.S. PATENT DOCUMENTS

D. 169,654 * 5/1953 Bennett D7/624
D. 315,848 * 4/1991 Guzman D7/608
2,805,017 * 9/1957 Hill et al. 220/737

* cited by examiner

Primary Examiner—Terry A. Wallace

(74) *Attorney, Agent, or Firm*—Barry C. Cohen

(57) **CLAIM**

I claim the ornamental design for the pint container tote, as shown and described.

DESCRIPTION

FIG. 1 is a perspective view of a pint container tote showing my new design;

FIG. 2 is a left side elevational view thereof, the right side elevational view being the same as said left side elevational view;

FIG. 3 is a top plan view thereof;

FIG. 4 is a bottom plan view thereof; and,

FIG. 5 is an exploded view thereof, showing the two components of my new design and showing, in broken line drawing, a pint container and its interaction with the claimed design, said broken line drawing not being a part of the design sought to be patented but merely showing the nature and environmental use of the claimed design and for clarity of illustration.

1 Claim, 2 Drawing Sheets

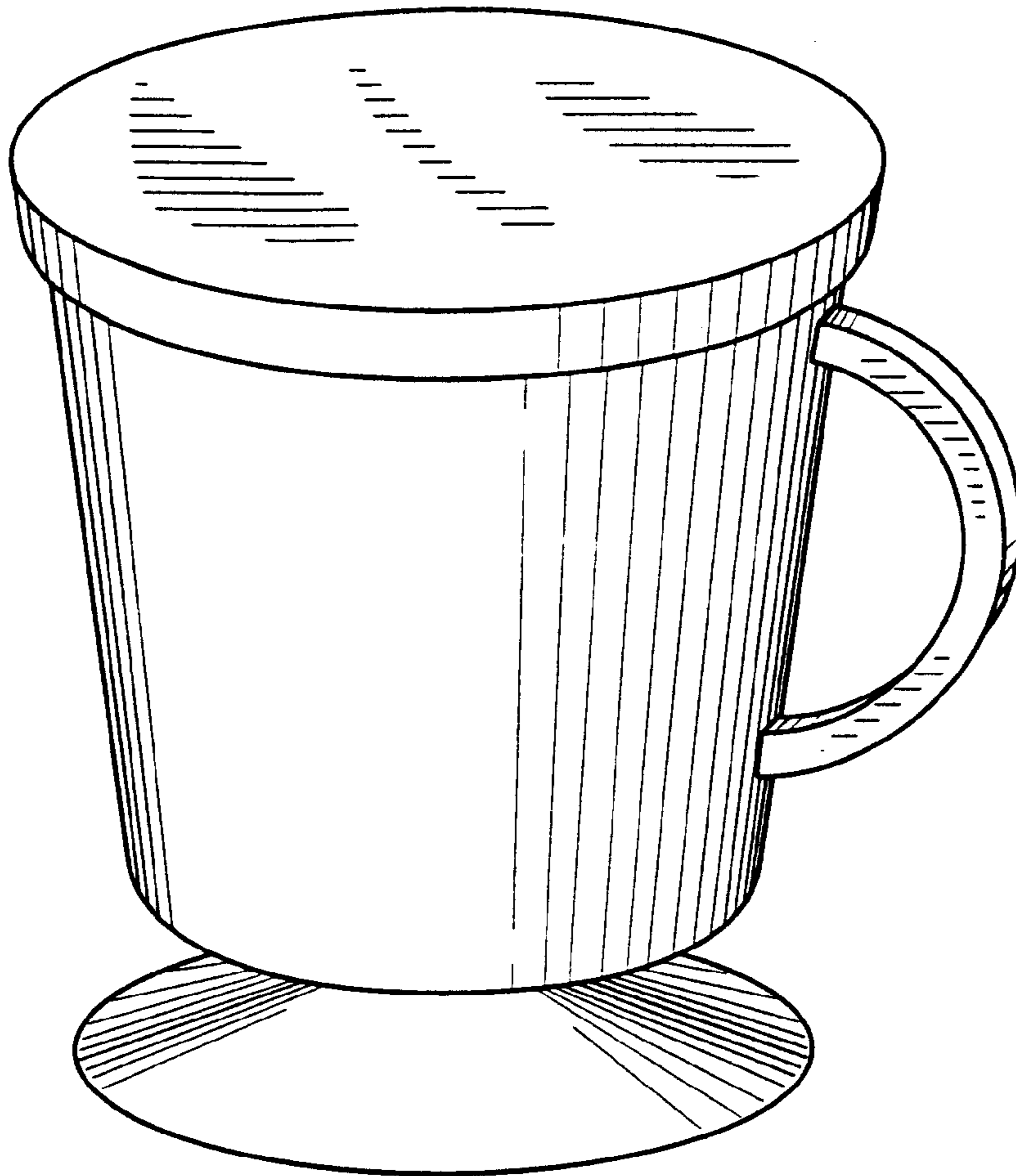


FIG. 1

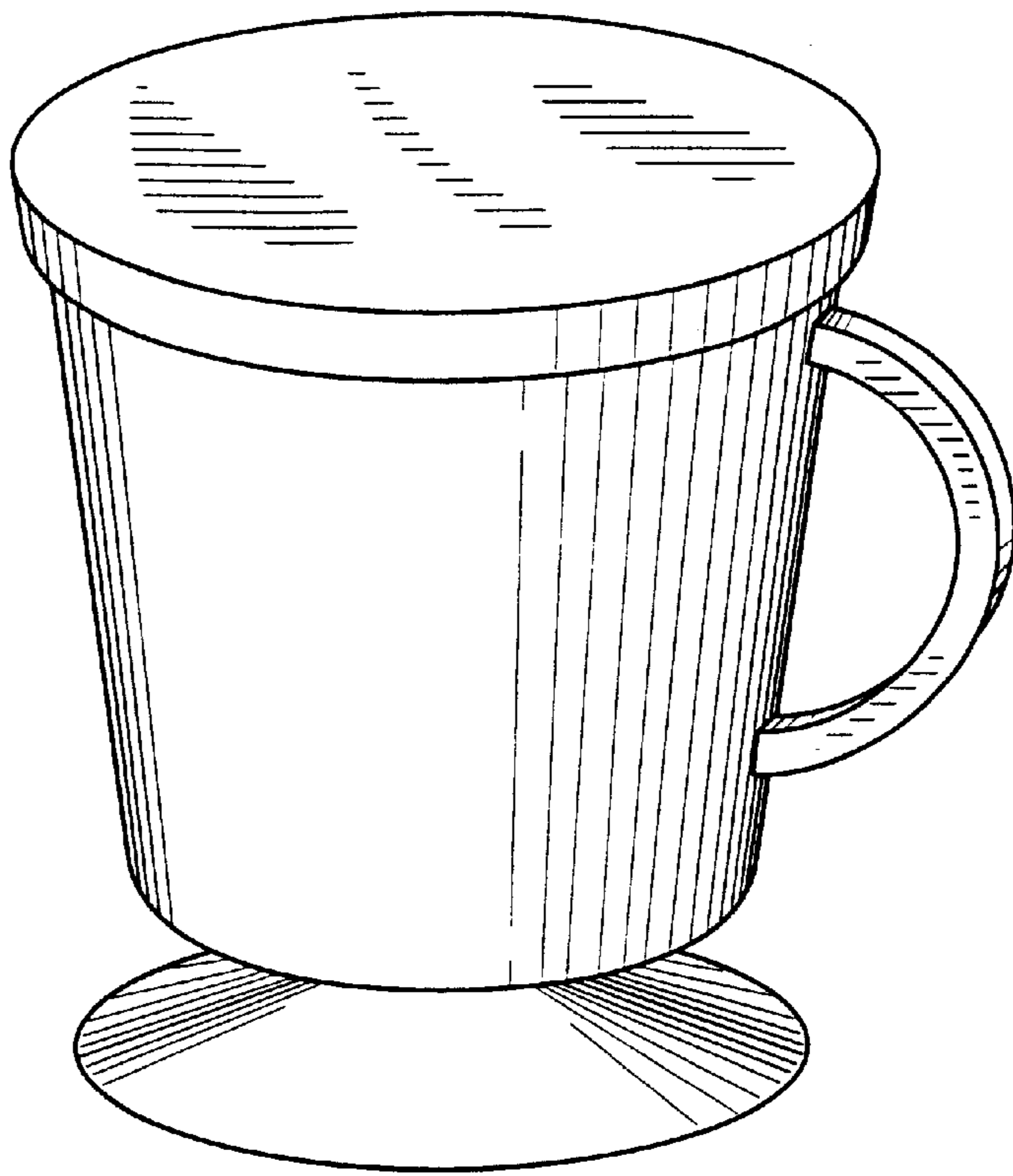


FIG. 2

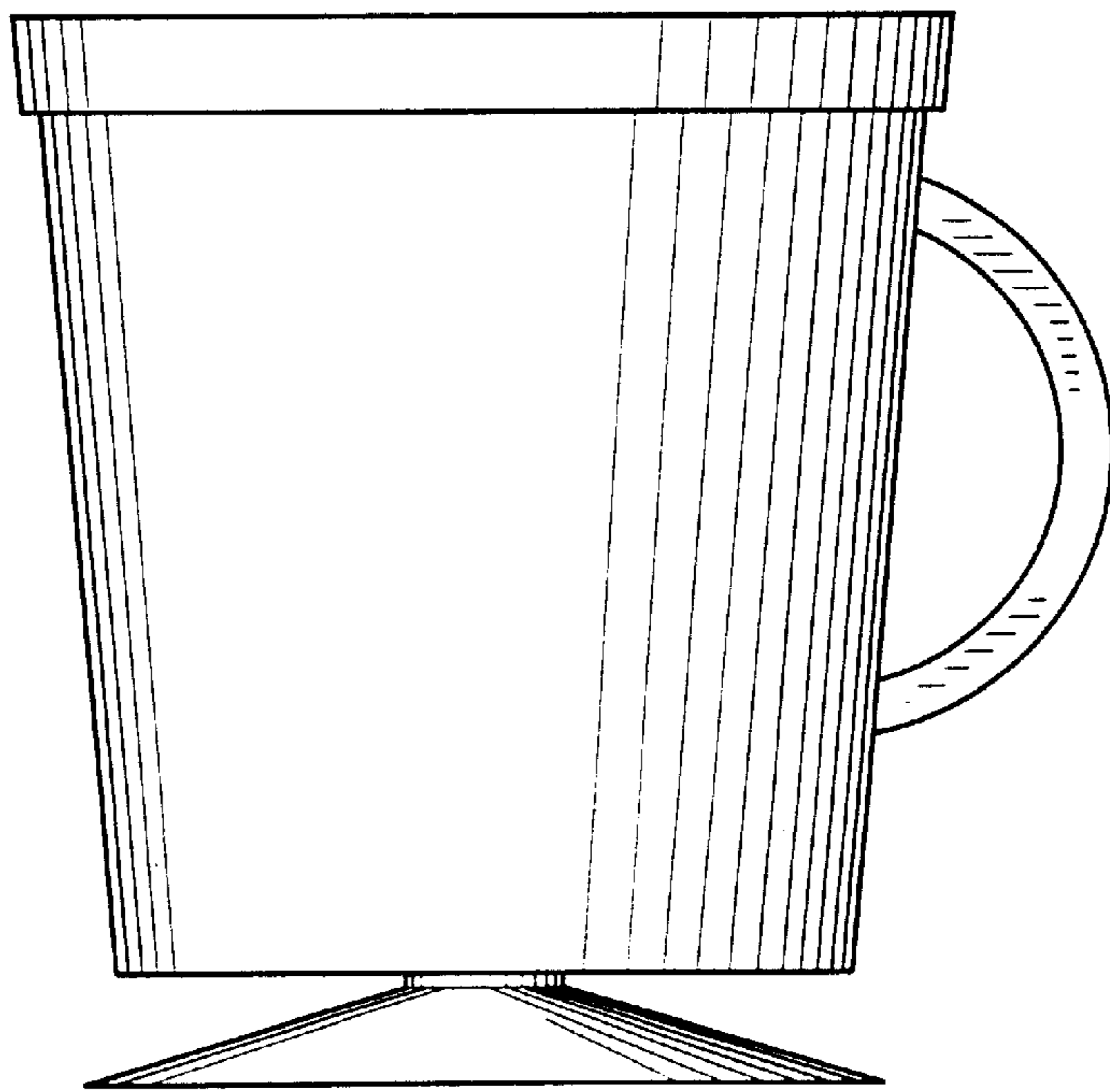


FIG. 3

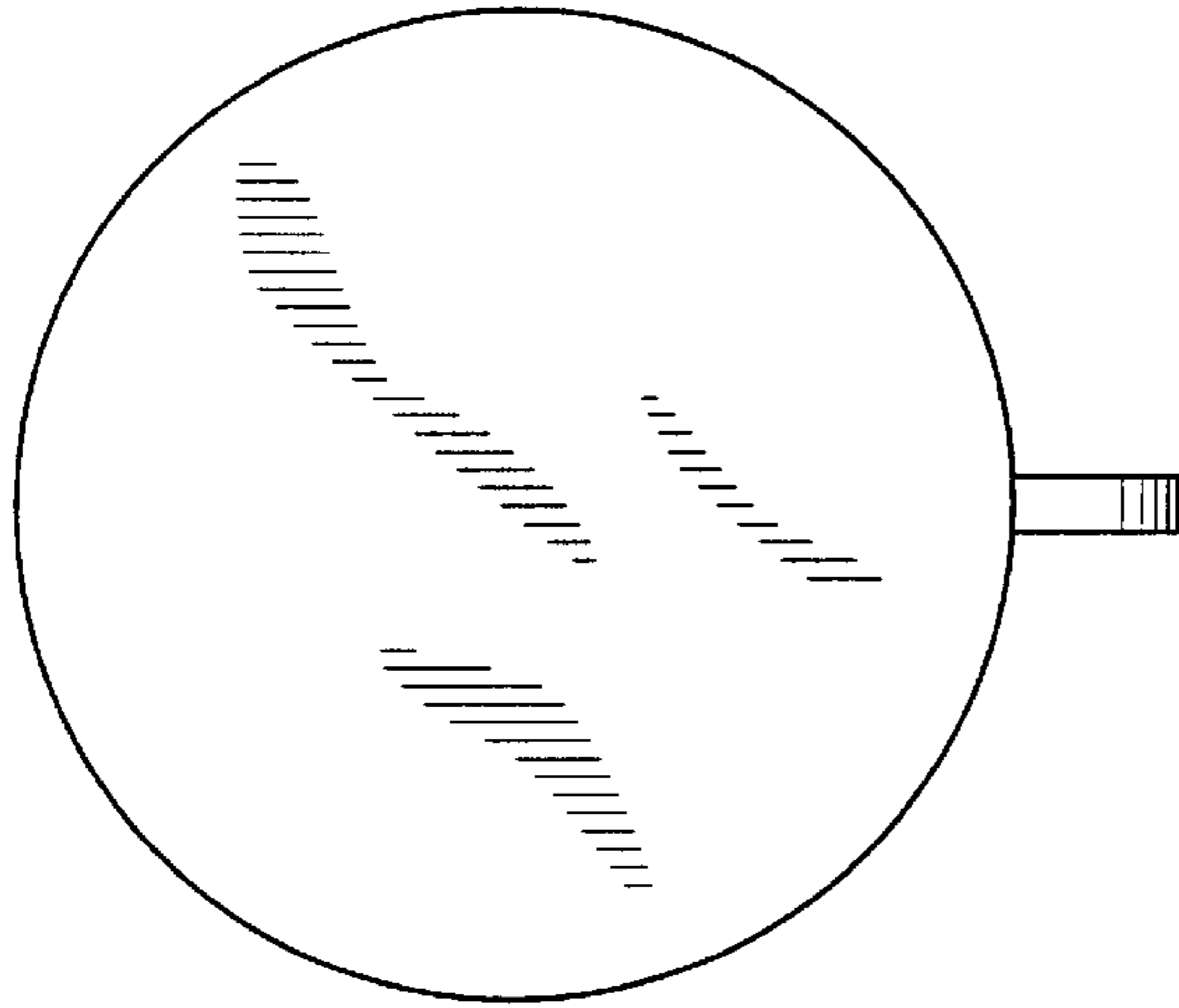


FIG. 5

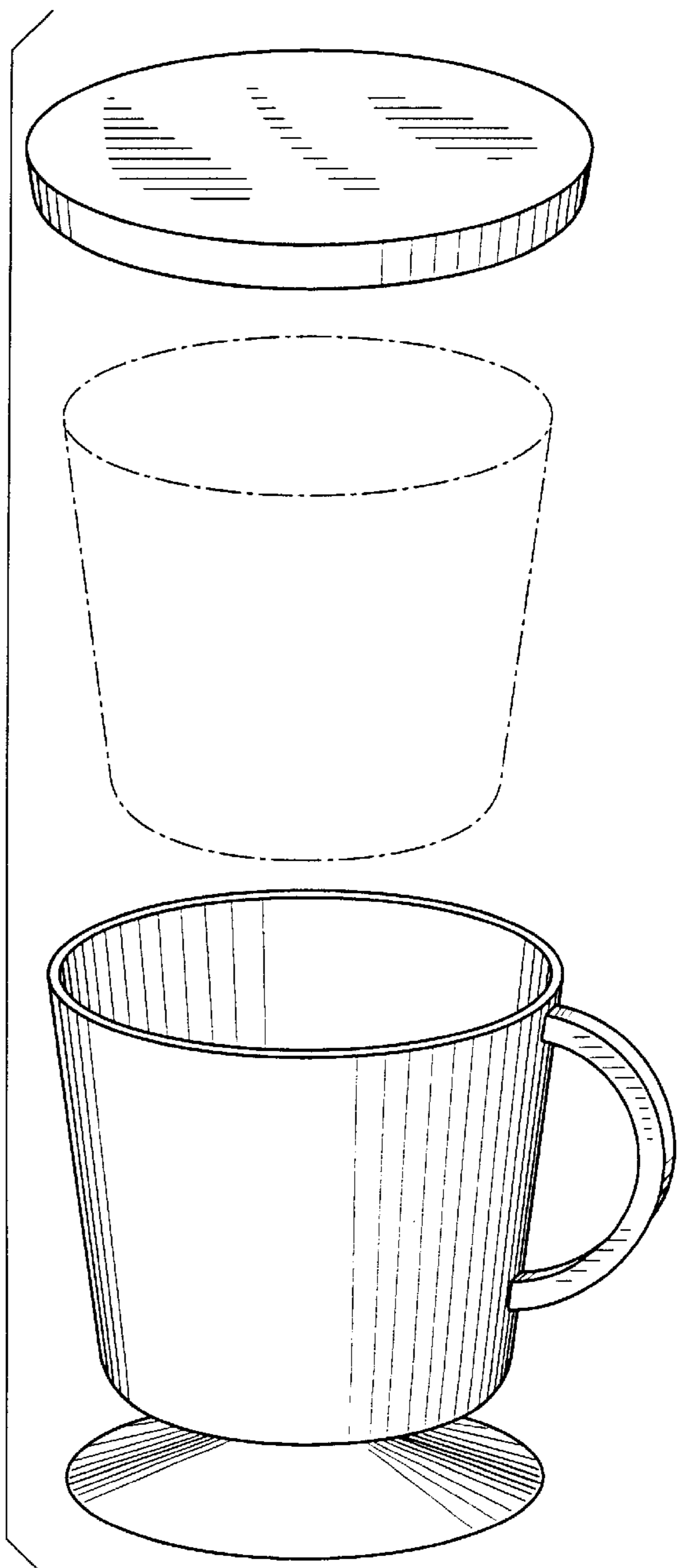


FIG. 4

