



US00D439476S

(12) **United States Design Patent**
Mount

(10) **Patent No.:** **US D439,476 S**

(45) **Date of Patent:** **** *Mar. 27, 2001**

(54) **BEVERAGE COOLER**

(76) **Inventor:** **Floyd E. Mount**, 105 12th Ave. NW.,
Waukon, IA (US) 52172

(*) **Notice:** This patent is subject to a terminal disclaimer.

(**) **Term:** **14 Years**

(21) **Appl. No.:** **29/112,087**

(22) **Filed:** **Oct. 8, 1999**

(51) **LOC (7) Cl.** **07-07**

(52) **U.S. Cl.** **D7/605**

(58) **Field of Search** D7/605; D6/396,
D6/432, 436, 448-451; D34/1, 5; 62/371,
372; 220/592.02, 592.03, 592.09; 312/36,
116, 400; D15/81, 83

(56) **References Cited**

U.S. PATENT DOCUMENTS

4,896,785 * 1/1990 Sodervall 312/116
5,564,288 * 10/1996 Lewis 62/372

* cited by examiner

Primary Examiner—Terry A. Wallace

(74) *Attorney, Agent, or Firm*—Henderson & Sturm LLP

(57) **CLAIM**

The ornamental design for a beverage cooler, as shown and described.

DESCRIPTION

A portion of the disclosure of this patent document, including appendices, may contain material which is subject to copyright protection. The copyright owner has no objection to the facsimile reproduction by anyone of the patent document or the patent disclosure, as it appears in the Patent and Trademark Office patent file or records, but otherwise reserves all copyright rights whatsoever.

FIG. 1 is a perspective view of the beverage cooler showing my new design;

FIG. 2 is a front elevational view thereof;

FIG. 3 is a left side elevational view thereof;

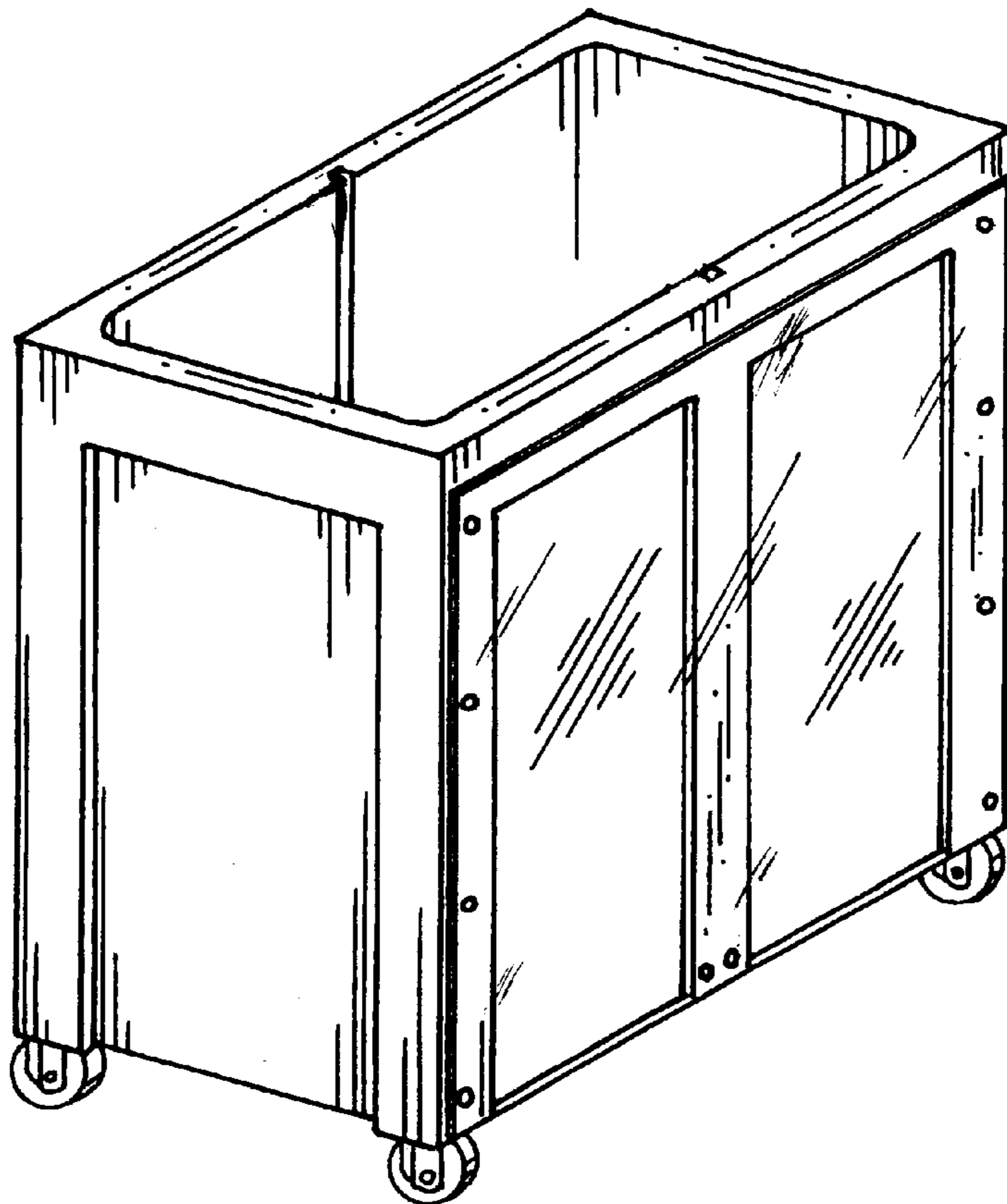
FIG. 4 is a top plan view thereof;

FIG. 5 is a rear elevational view thereof;

FIG. 6 is a right side elevational view thereof; and,

FIG. 7 is a bottom plan view thereof.

1 Claim, 2 Drawing Sheets



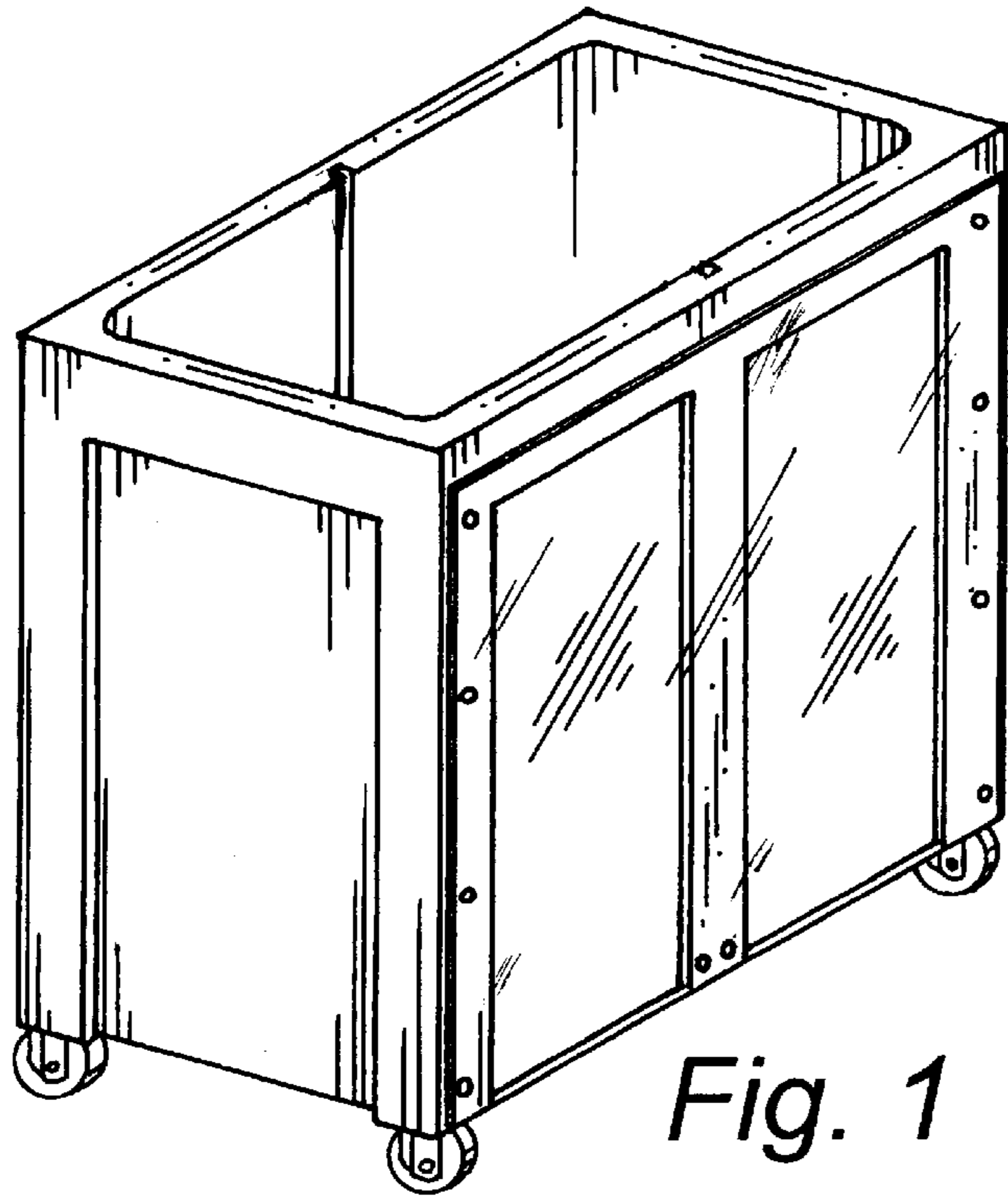


Fig. 1

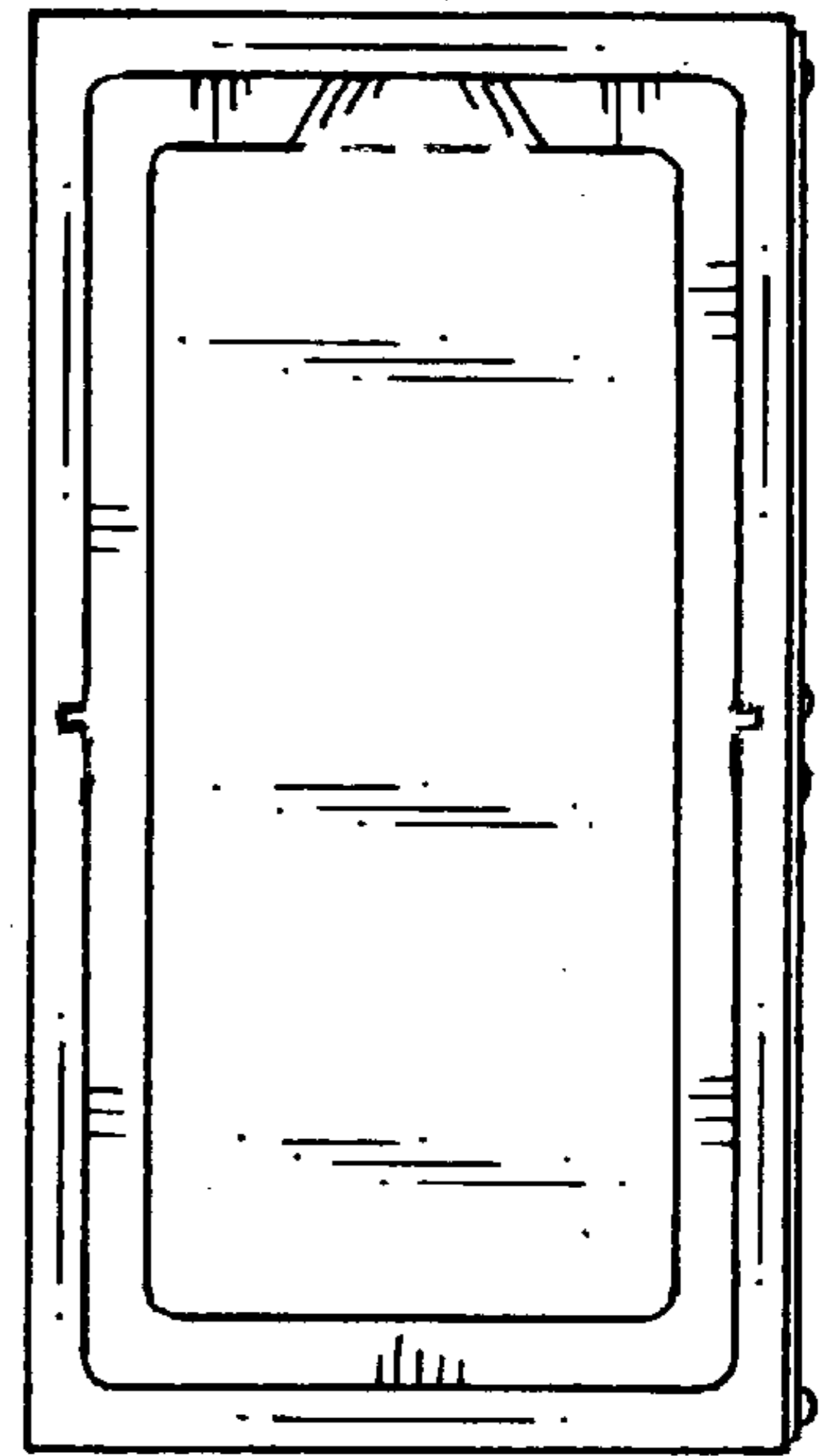


Fig. 4

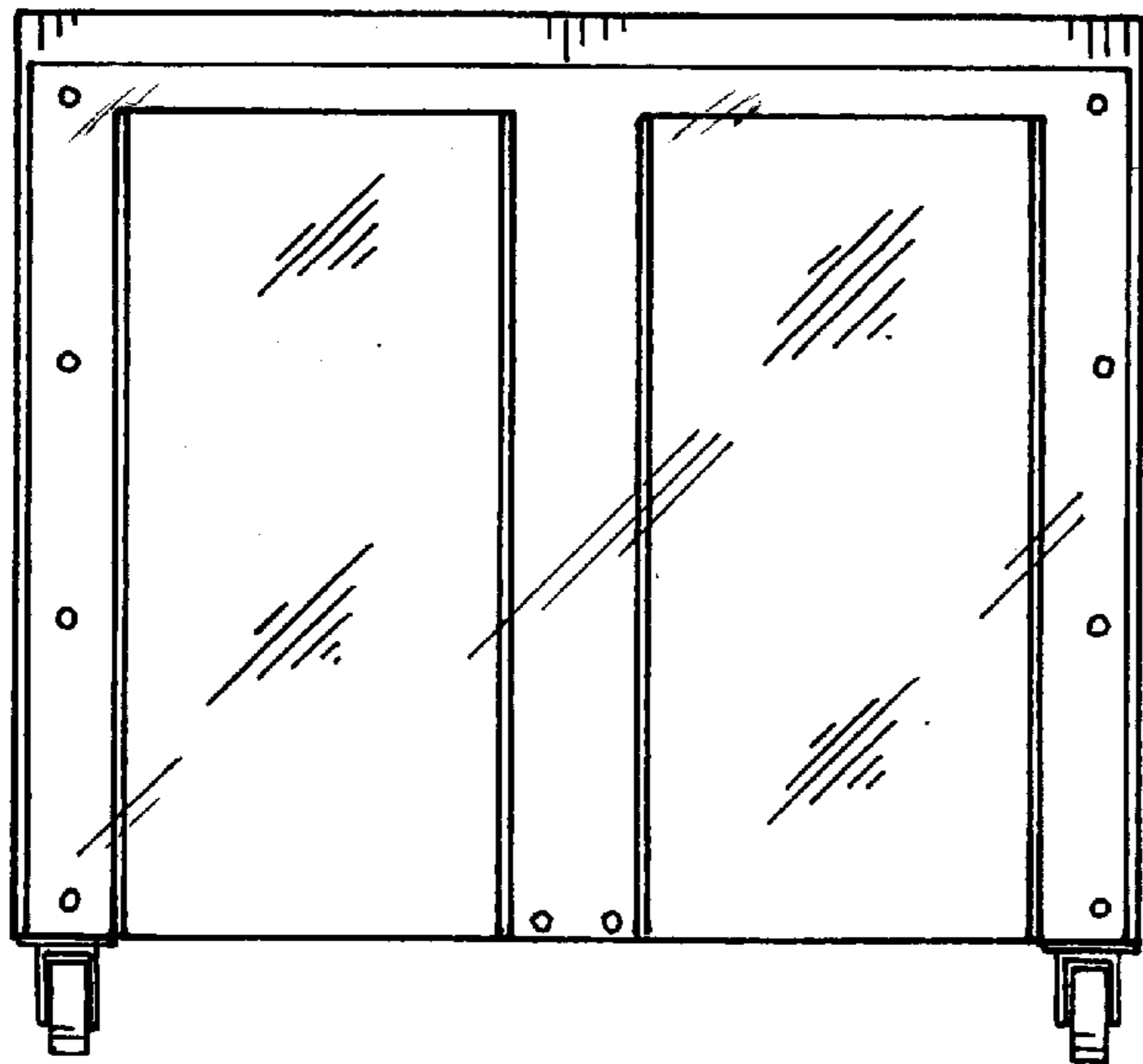


Fig. 2

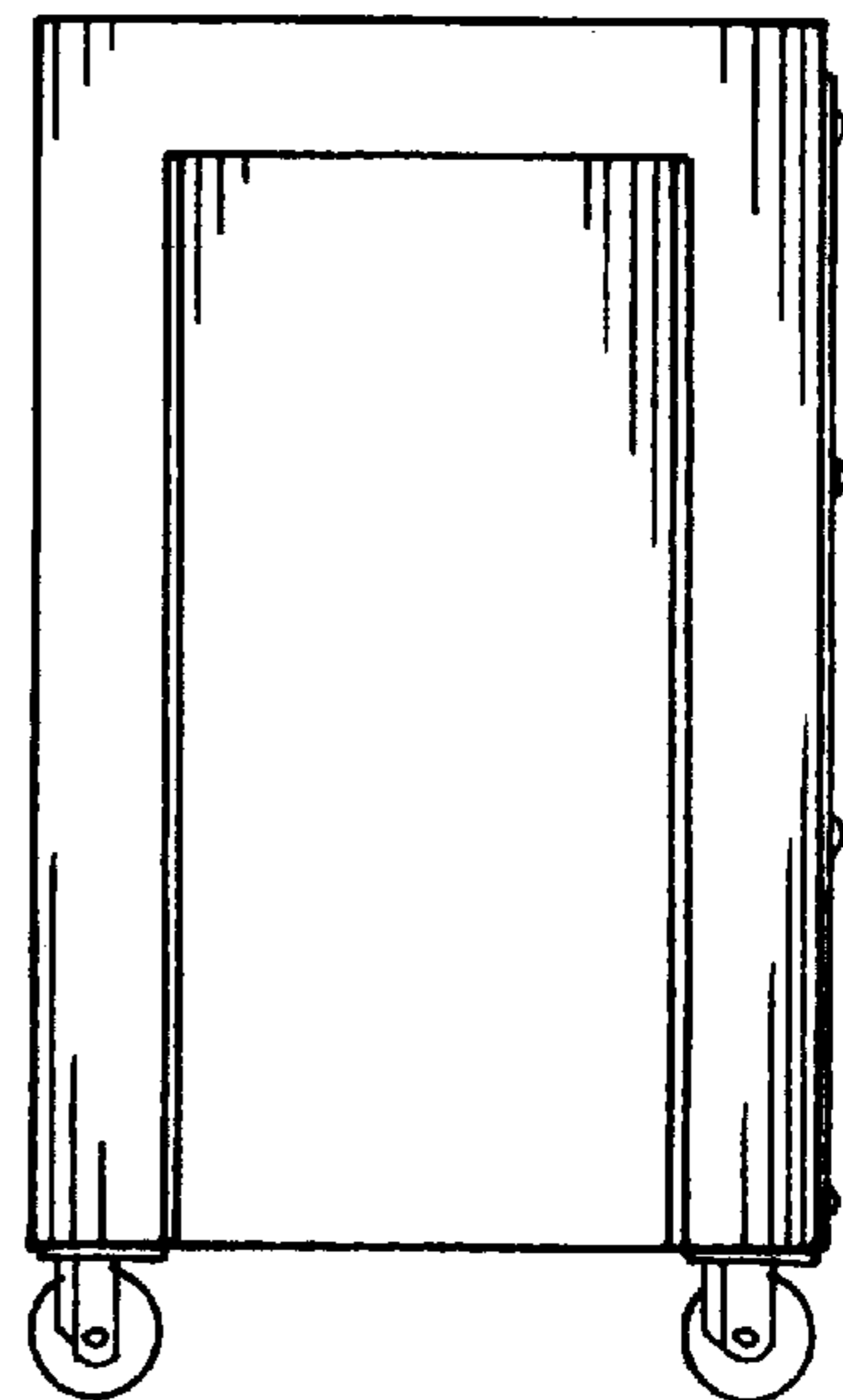


Fig. 3

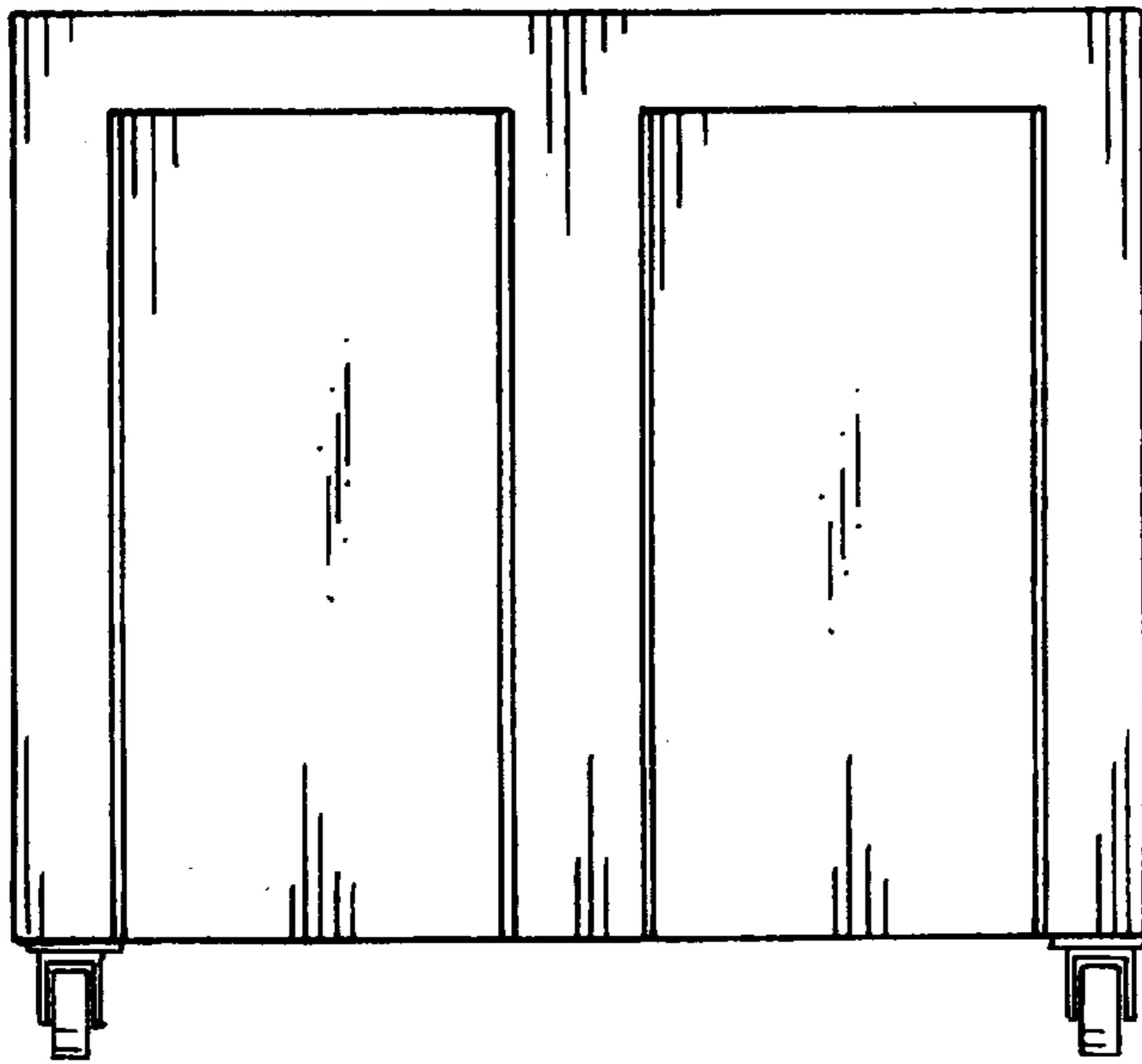


Fig. 5

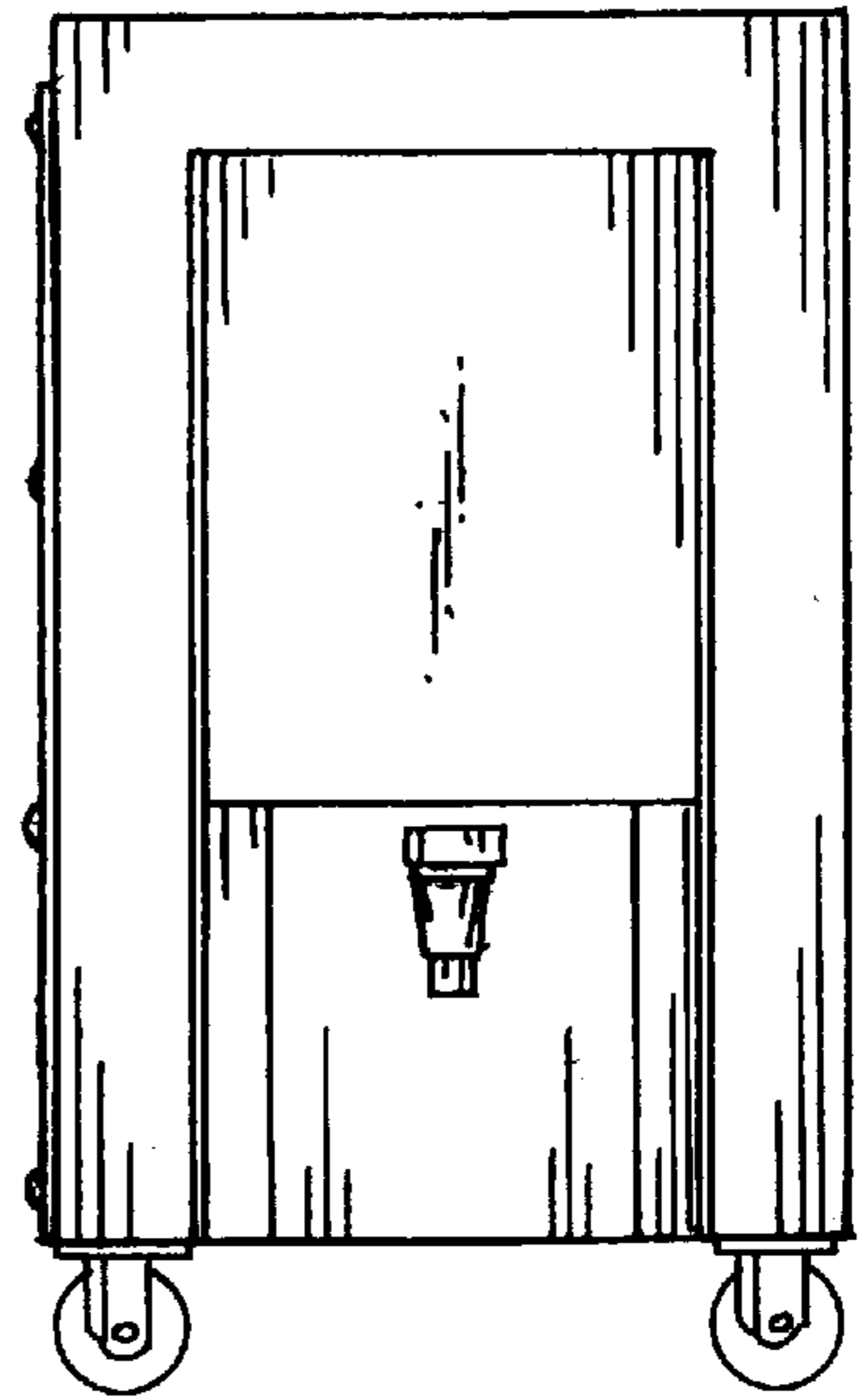


Fig. 6

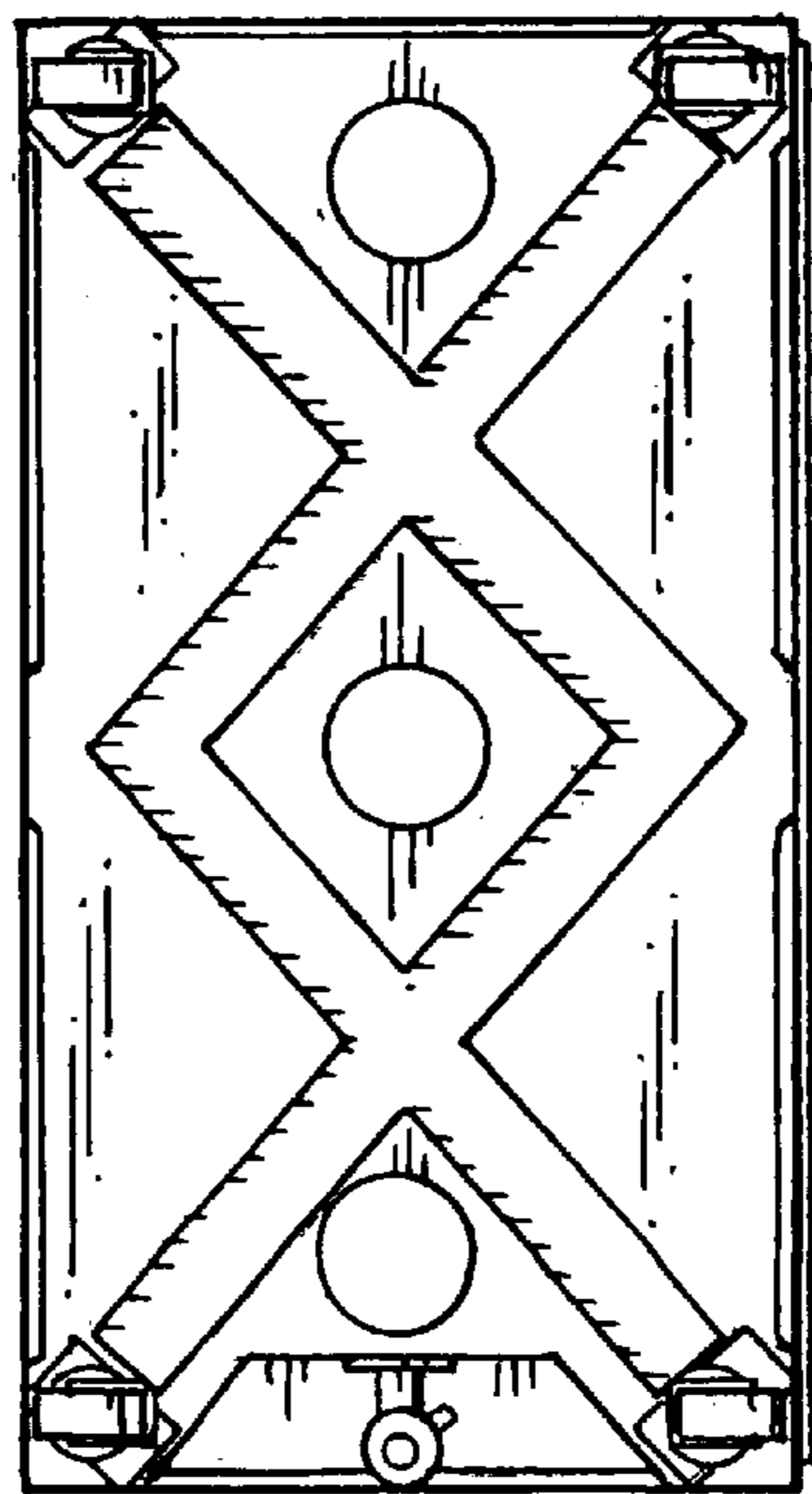


Fig. 7