



US00D439474S

(12) **United States Design Patent**
Claffy et al.

(10) **Patent No.:** **US D439,474 S**

(45) **Date of Patent:** **** Mar. 27, 2001**

(54) **INSULATED FOOD TRAY ONE-THIRD-HIGH WALL**

(75) **Inventors:** **Joseph R. Claffy**, Western Springs;
Edward W. Claffy, Oak Brook, both of IL (US)

(73) **Assignee:** **Correctional Technologies, Inc.**, Willowbrook, IL (US)

(**) **Term:** **14 Years**

(21) **Appl. No.:** **29/120,223**

(22) **Filed:** **Mar. 15, 2000**

(51) **LOC (7) Cl.** **07-01**

(52) **U.S. Cl.** **D7/553.1**

(58) **Field of Search** D7/550.1, 553.1, D7/553.2; 229/109, 5.84, 939, 406; 220/4.21, 23.6, 592.22, 592.25, 656, 902, 23.83; 206/545, 217, 503, 509, 558, 564; 126/296, 261; 219/385; 426/109, 114, 418

(56) **References Cited**

U.S. PATENT DOCUMENTS

| | | | |
|------------|----------|---------------------|----------|
| Re. 30,962 | 6/1982 | Bridges . | |
| D. 106,419 | 10/1937 | Barber . | |
| D. 122,589 | 9/1940 | Bastress . | |
| D. 159,454 | 7/1950 | Waltman . | |
| D. 199,684 | 12/1964 | Lombardo . | |
| D. 214,523 | 6/1969 | Stone . | |
| D. 261,591 | 11/1981 | Herbet . | |
| D. 273,928 | 5/1984 | Tarozzi . | |
| D. 283,666 | * 5/1986 | Holzkopf | D7/553.2 |
| D. 396,954 | * 8/1998 | Iverson et al. | D7/553.2 |

| | | | |
|-----------|----------|---------------------|----------|
| 3,295,737 | 1/1967 | Page . | |
| 3,305,124 | 2/1967 | Whiteford . | |
| 3,532,247 | 10/1970 | Bridges . | |
| 3,608,770 | 9/1971 | Naimoli . | |
| 3,799,386 | * 3/1974 | Madalin et al. | 206/545 |
| 3,850,333 | 11/1974 | Reichert . | |
| 4,232,789 | 11/1980 | Springer . | |
| 5,145,090 | * 9/1992 | Wyatt | 220/4.21 |
| 5,445,276 | * 8/1995 | Gordon | 206/545 |
| 5,660,280 | 8/1997 | Wiederhold . | |
| 5,857,583 | 1/1999 | Chantaca . | |
| 5,868,268 | * 2/1999 | Walker | 206/545 |
| 5,873,218 | * 2/1999 | Kendig | 126/246 |
| 5,885,636 | * 5/1999 | Carville | 206/545 |

* cited by examiner

Primary Examiner—Antoine Duval Davis

(74) *Attorney, Agent, or Firm*—Banner & Witcoff, Ltd.

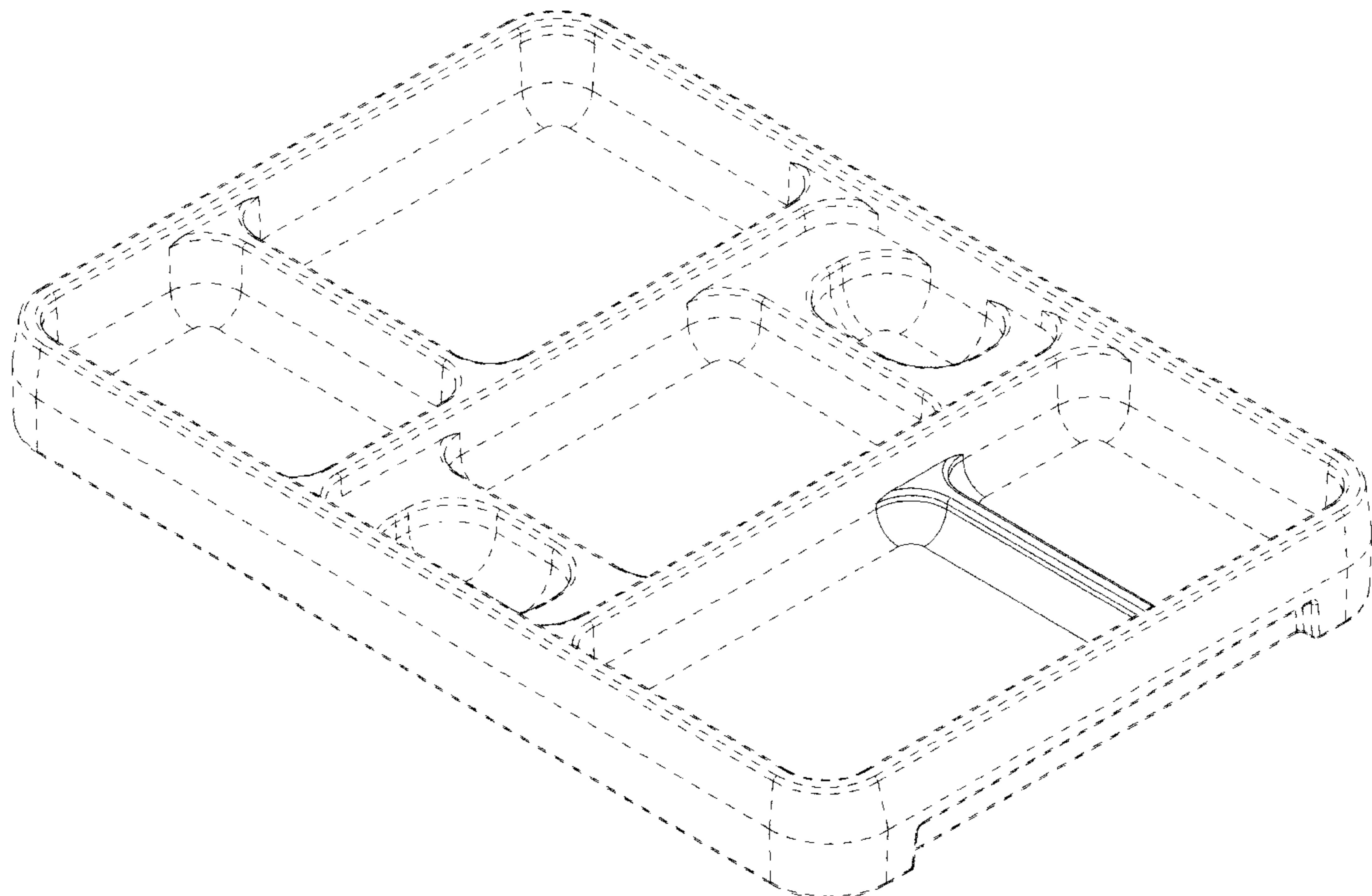
(57) **CLAIM**

The ornamental design for an insulated food tray one-third-high wall, as shown and described.

DESCRIPTION

FIG. 1 is an isometric view of an insulated food tray one-third-high wall showing our design; FIG. 2 a top plan view thereof; FIG. 3 a bottom plan view thereof; FIG. 4 a front elevational view thereof; FIG. 5 a rear elevational view thereof; and, FIG. 6 a side elevational view thereof. The broken line showing is for illustrative purposes only and forms no part of the claimed design.

1 Claim, 6 Drawing Sheets



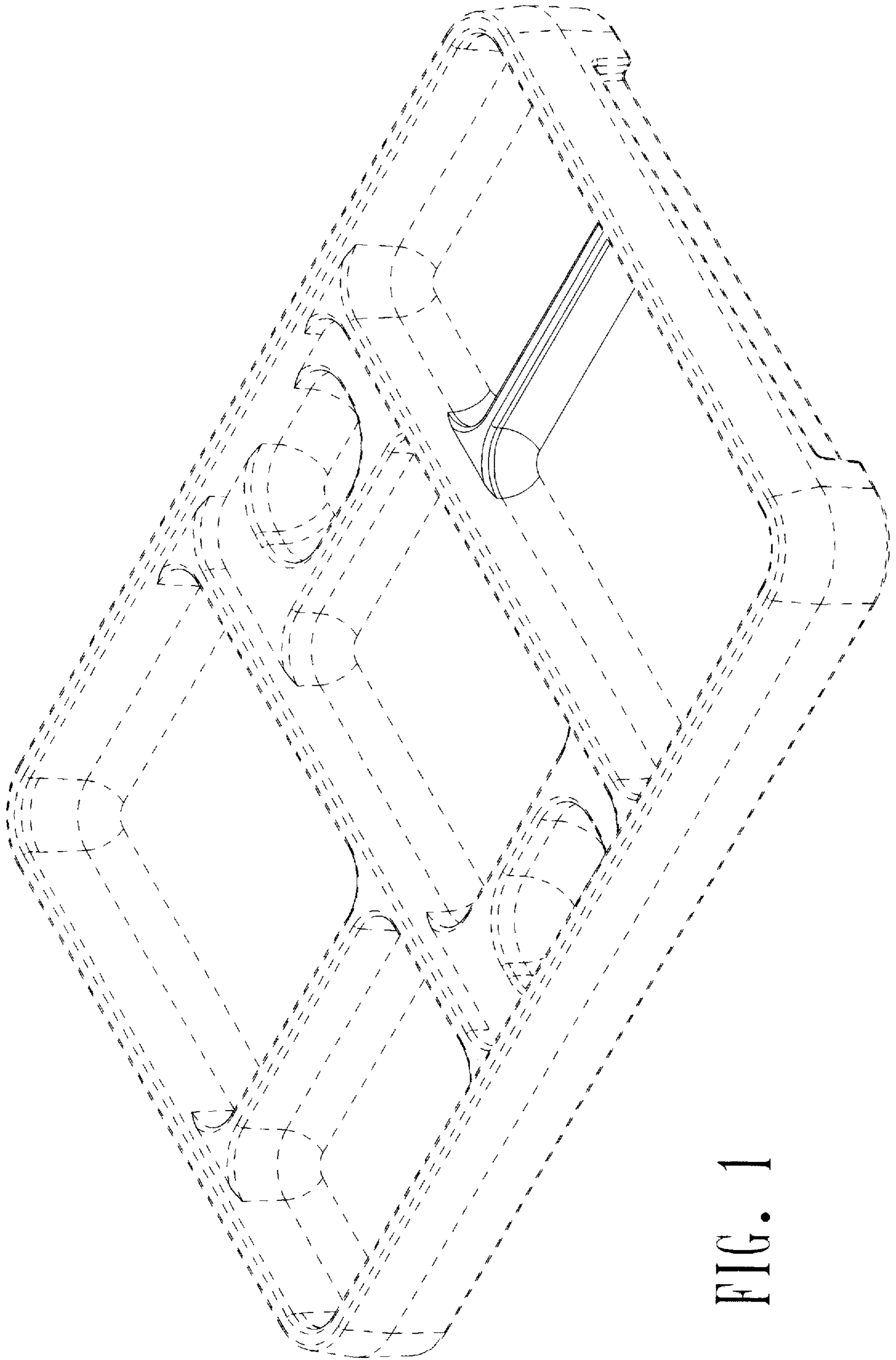


FIG. 1

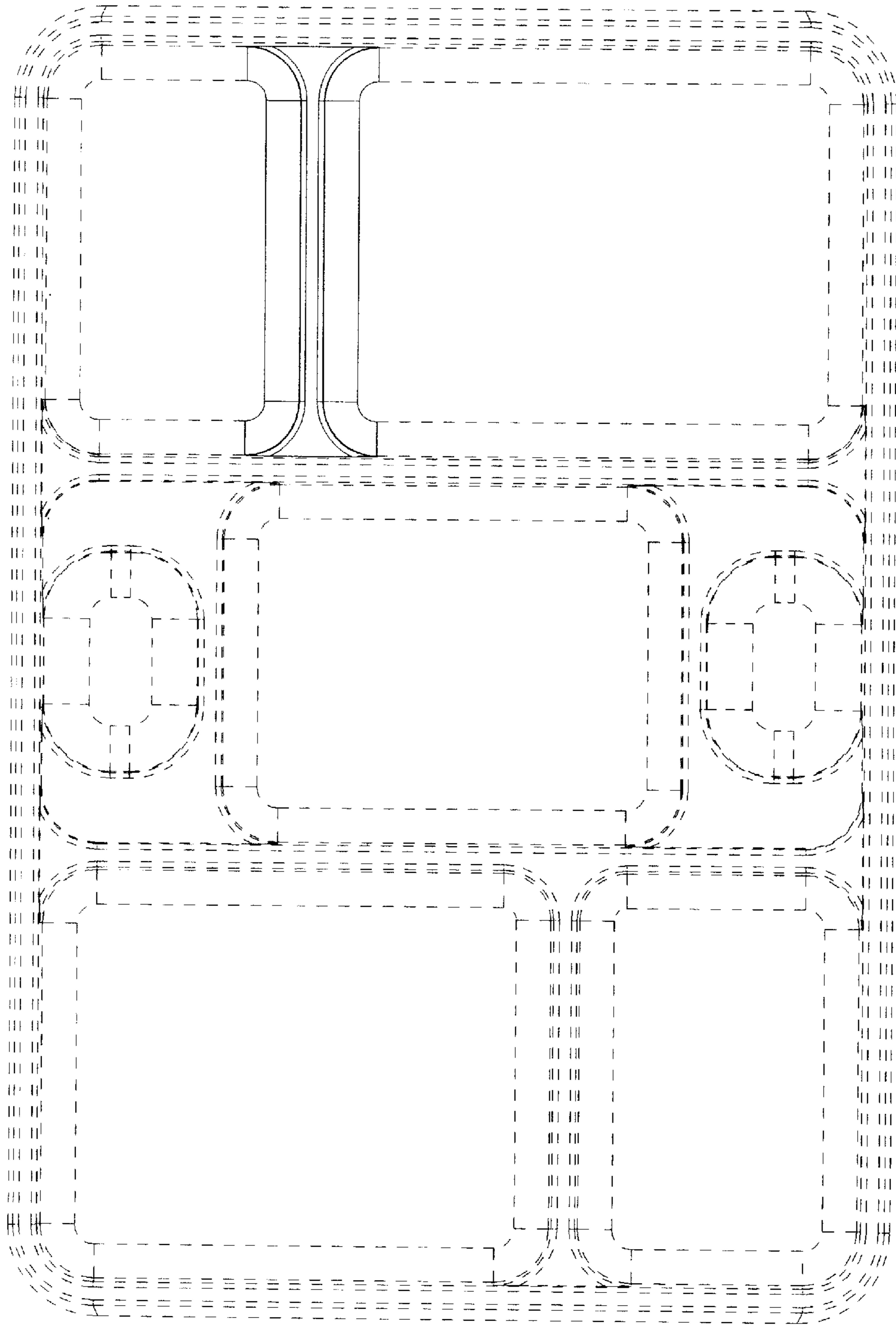


FIG. 2

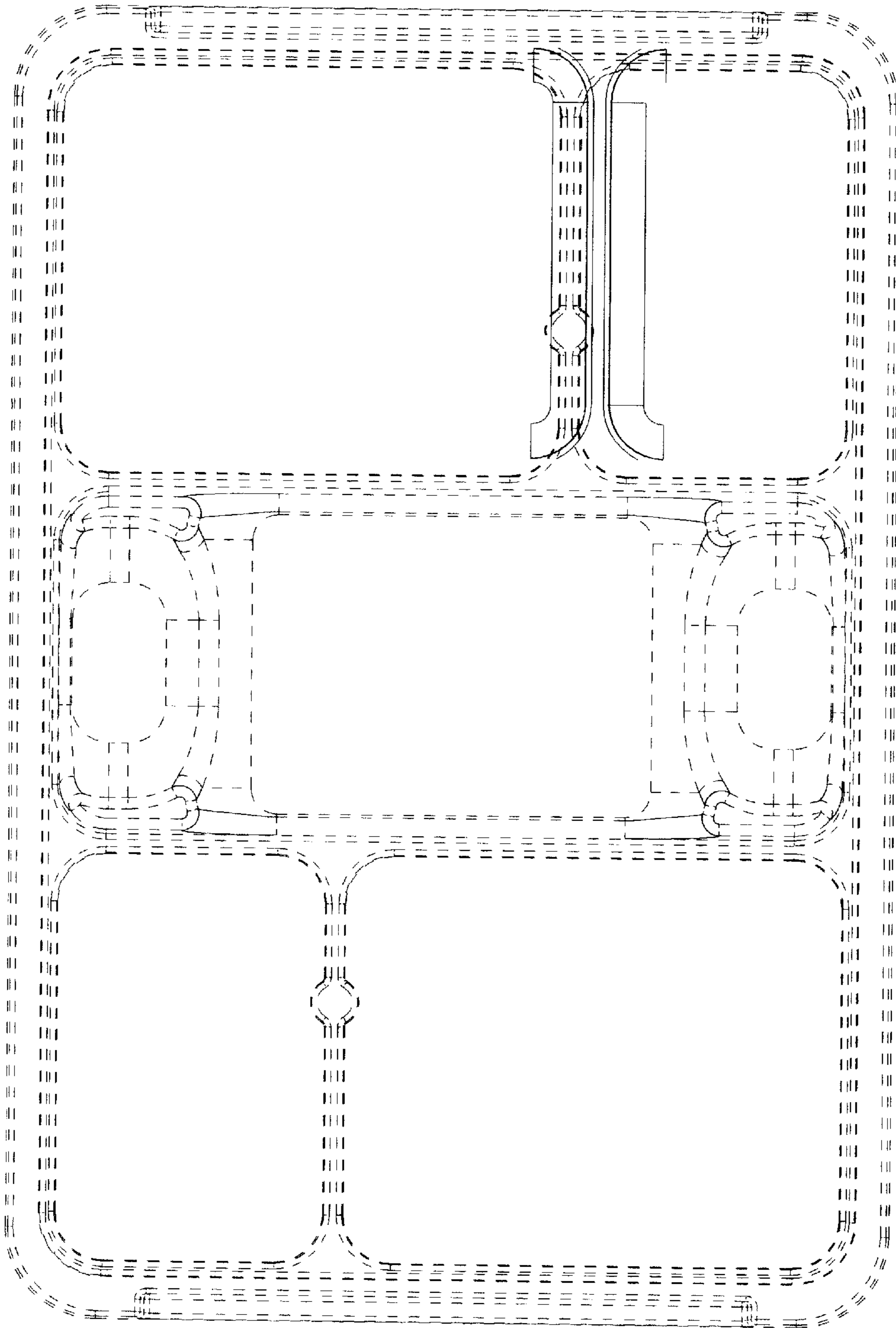


FIG. 3

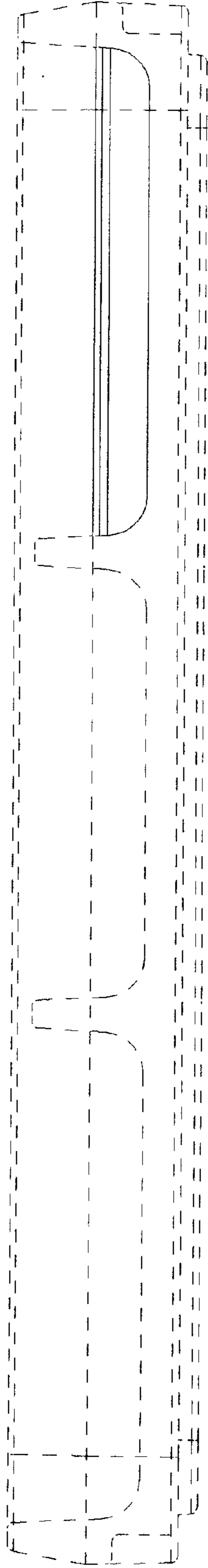


FIG. 4

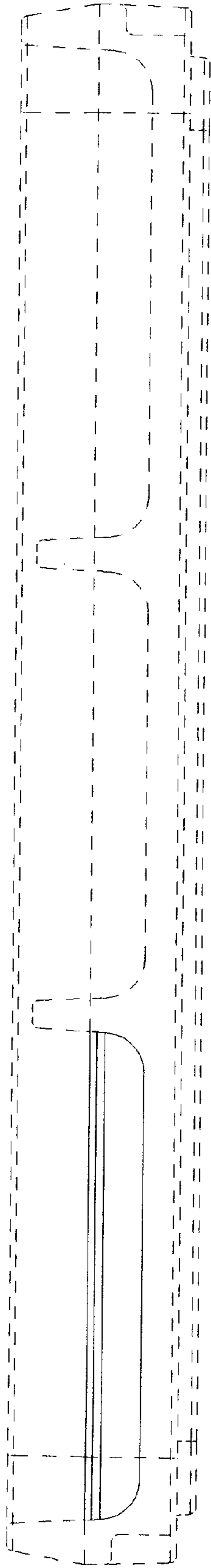


FIG. 5

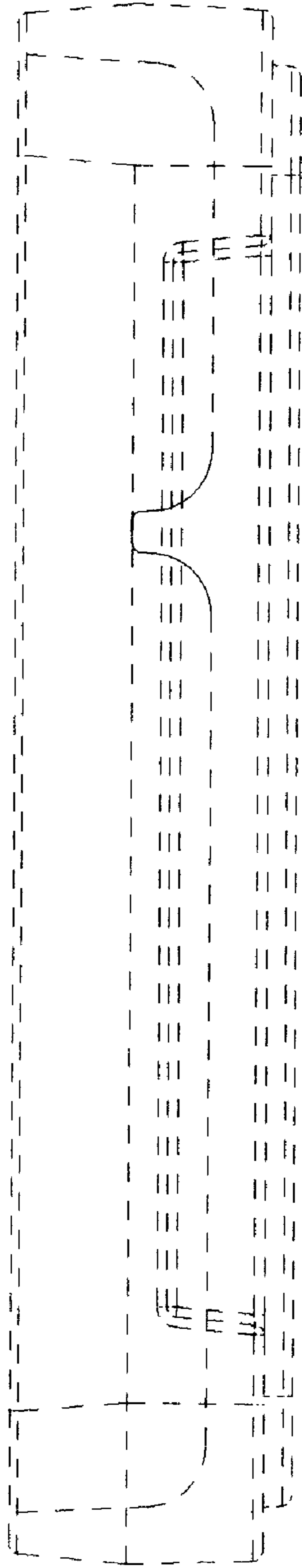


FIG. 6