



US00D439473S

(12) **United States Design Patent**  
**Lin**

(10) **Patent No.:** **US D439,473 S**

(45) **Date of Patent:** **\*\* Mar. 27, 2001**

(54) **CUP**

(76) **Inventor:** **Shin Shuoh Lin**, P.O.Box 24-108,  
Taipei (TW)

(\*\*) **Term:** **14 Years**

(21) **Appl. No.:** **29/117,180**

(22) **Filed:** **Jan. 20, 2000**

(51) **LOC (7) Cl.** ..... **07-01**

(52) **U.S. Cl.** ..... **D7/510; D7/511; D7/533**

(58) **Field of Search** ..... **D7/533, 535, 532,**  
**D7/510, 511, 507, 509, 523; 220/703, 719,**  
**715; 215/6, 256, 255, 376, 374; 229/400**

(56) **References Cited**

**U.S. PATENT DOCUMENTS**

D. 231,068 \* 4/1974 Douglas ..... D7/533  
D. 386,948 \* 12/1997 Wissinger ..... D7/533  
D. 396,777 \* 8/1998 Inoue ..... D7/511

D. 398,815 \* 9/1998 Hatsumoto et al. .... D7/533

D. 406,011 \* 2/1999 Hatsumoto et al. .... D7/510

D. 420,254 \* 2/2000 Park ..... D7/510

\* cited by examiner

*Primary Examiner*—M. N. Pandozzi

(57) **CLAIM**

The ornamental design for a cup, as shown and described.

**DESCRIPTION**

FIG. 1 is a perspective view of a cup showing my new design;

FIG. 2 is a front elevational view thereof;

FIG. 3 is a rear elevational view thereof;

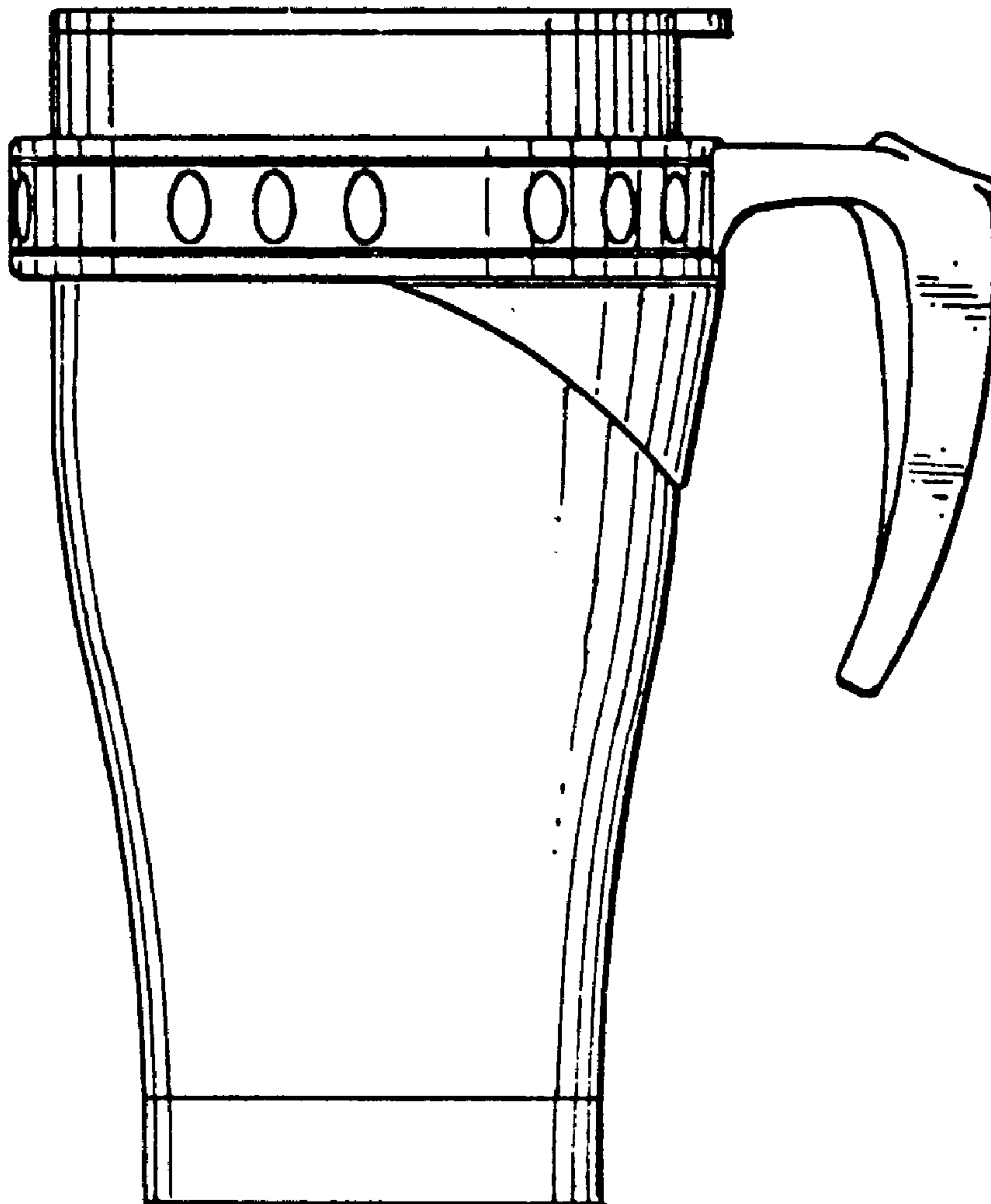
FIG. 4 is a left side elevational view thereof;

FIG. 5 is a right side elevational view thereof;

FIG. 6 is a top plan view thereof; and,

FIG. 7 is a bottom plan view thereof.

**1 Claim, 4 Drawing Sheets**



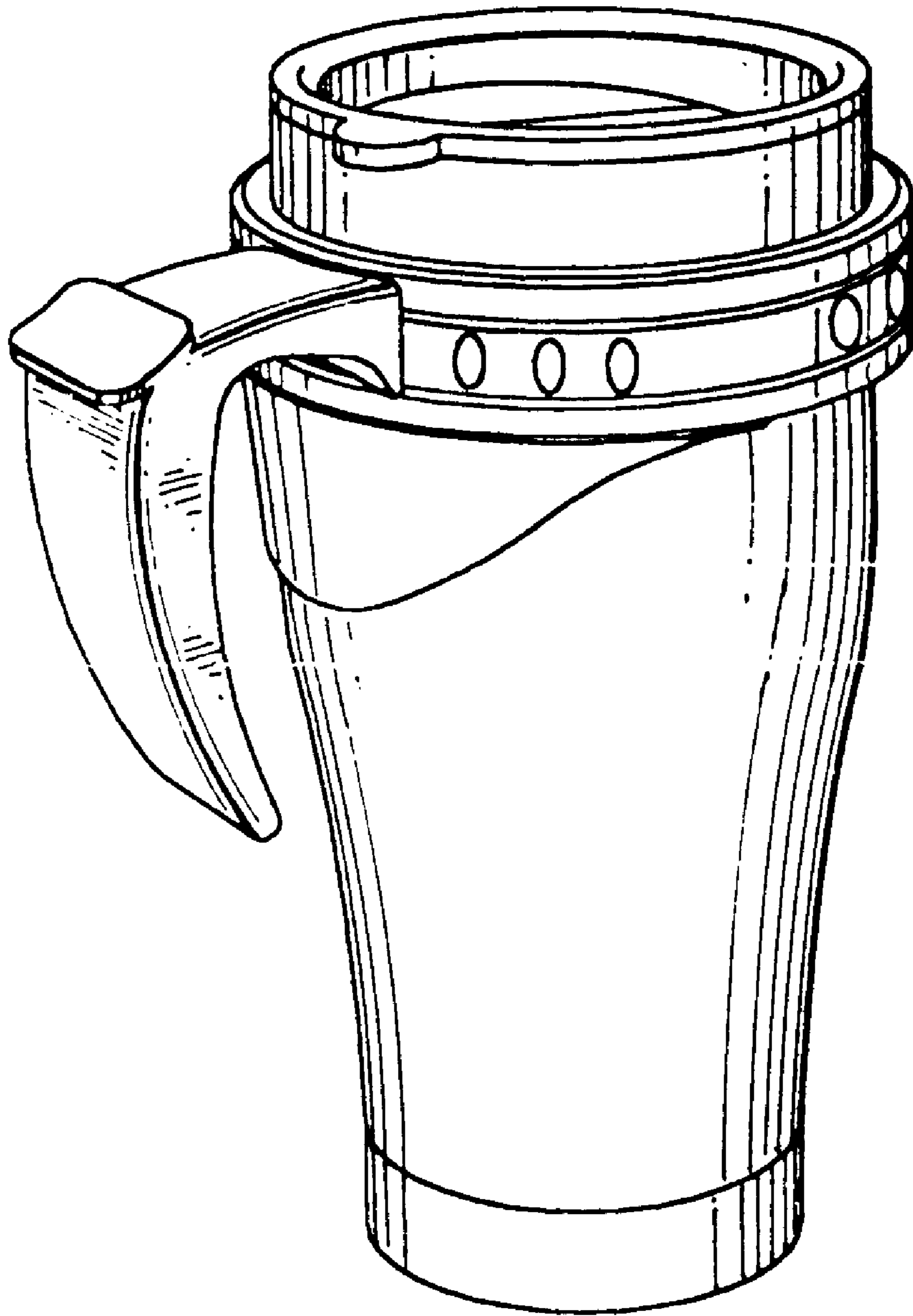


FIG.1

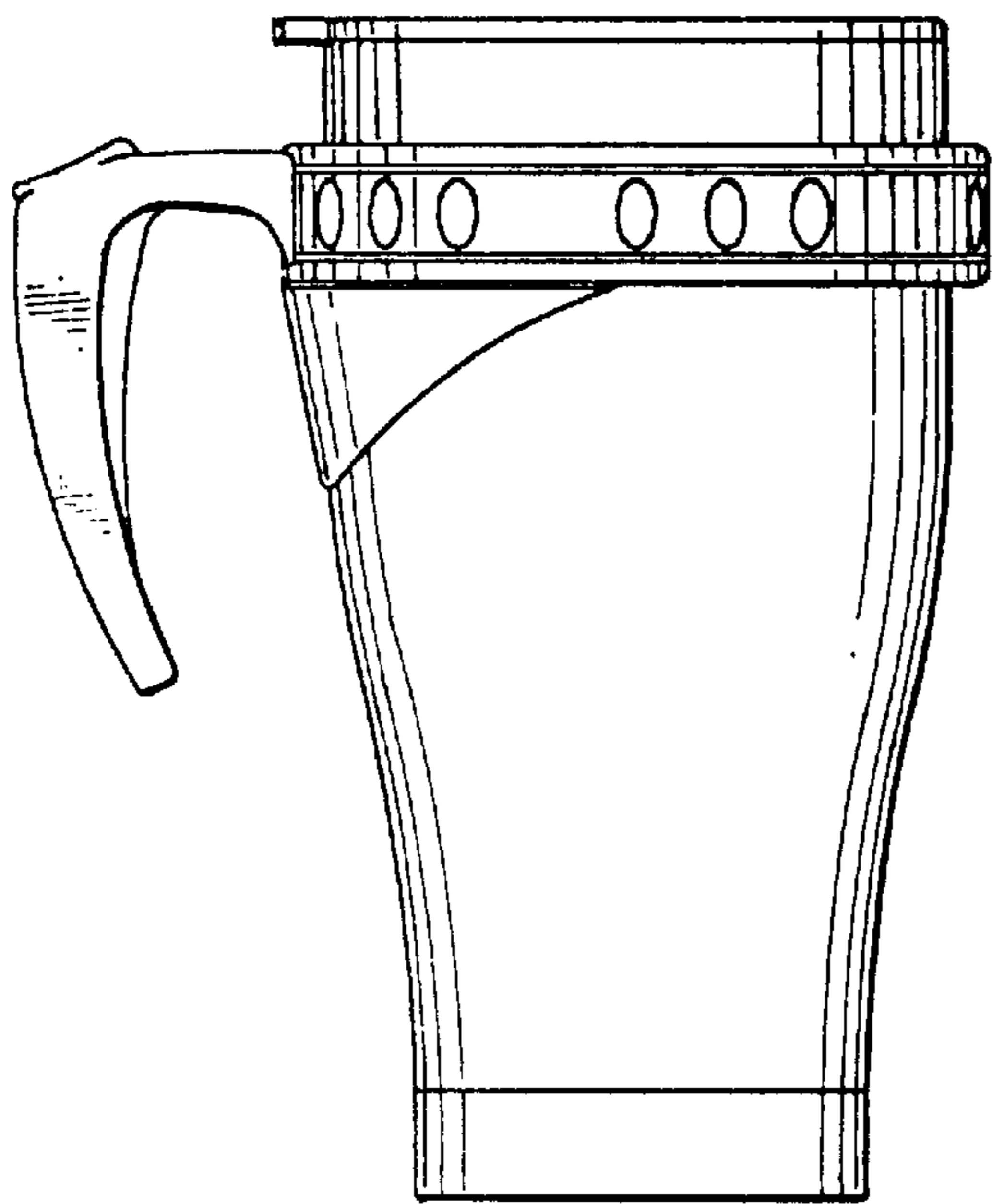


FIG. 2

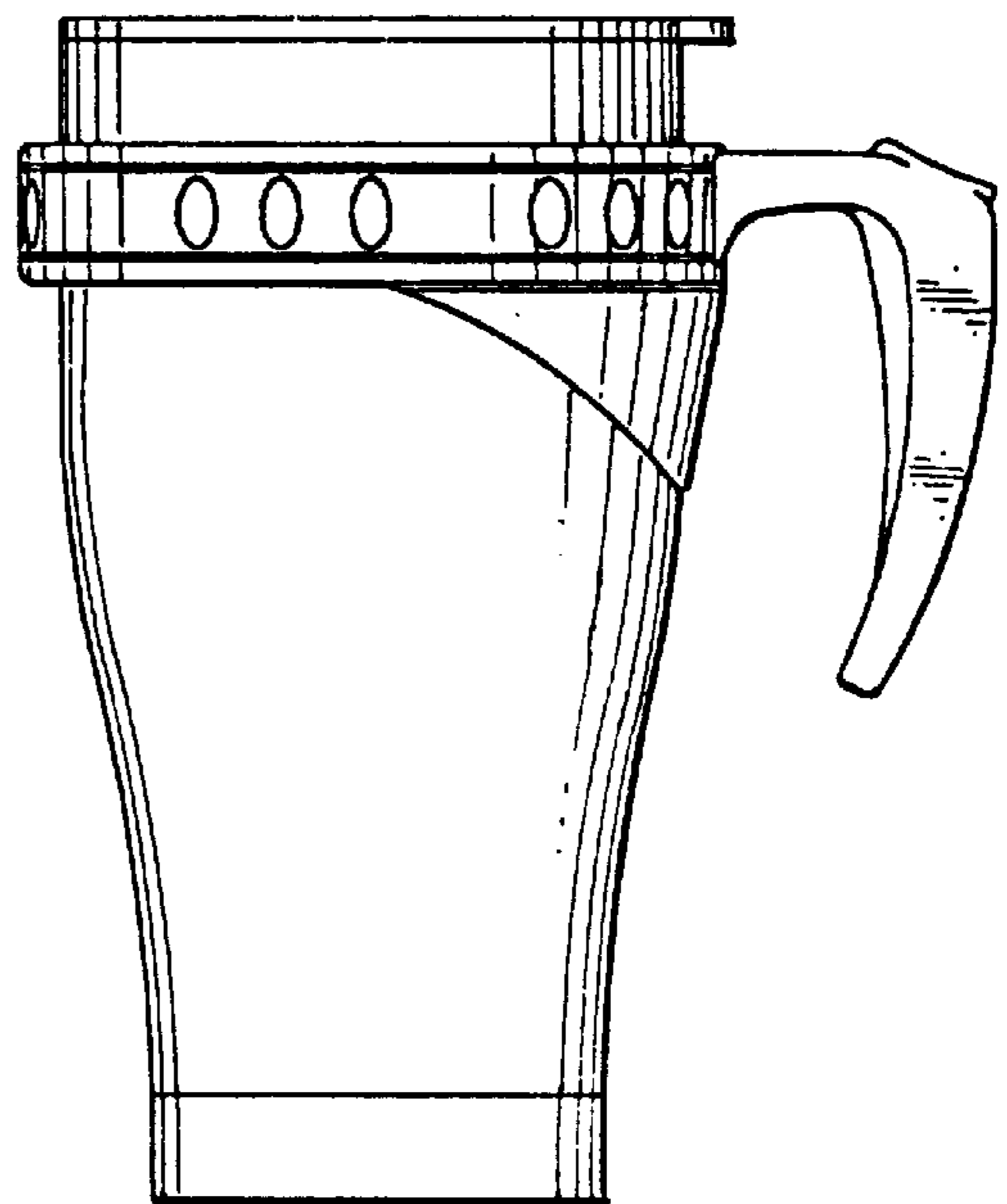


FIG. 3

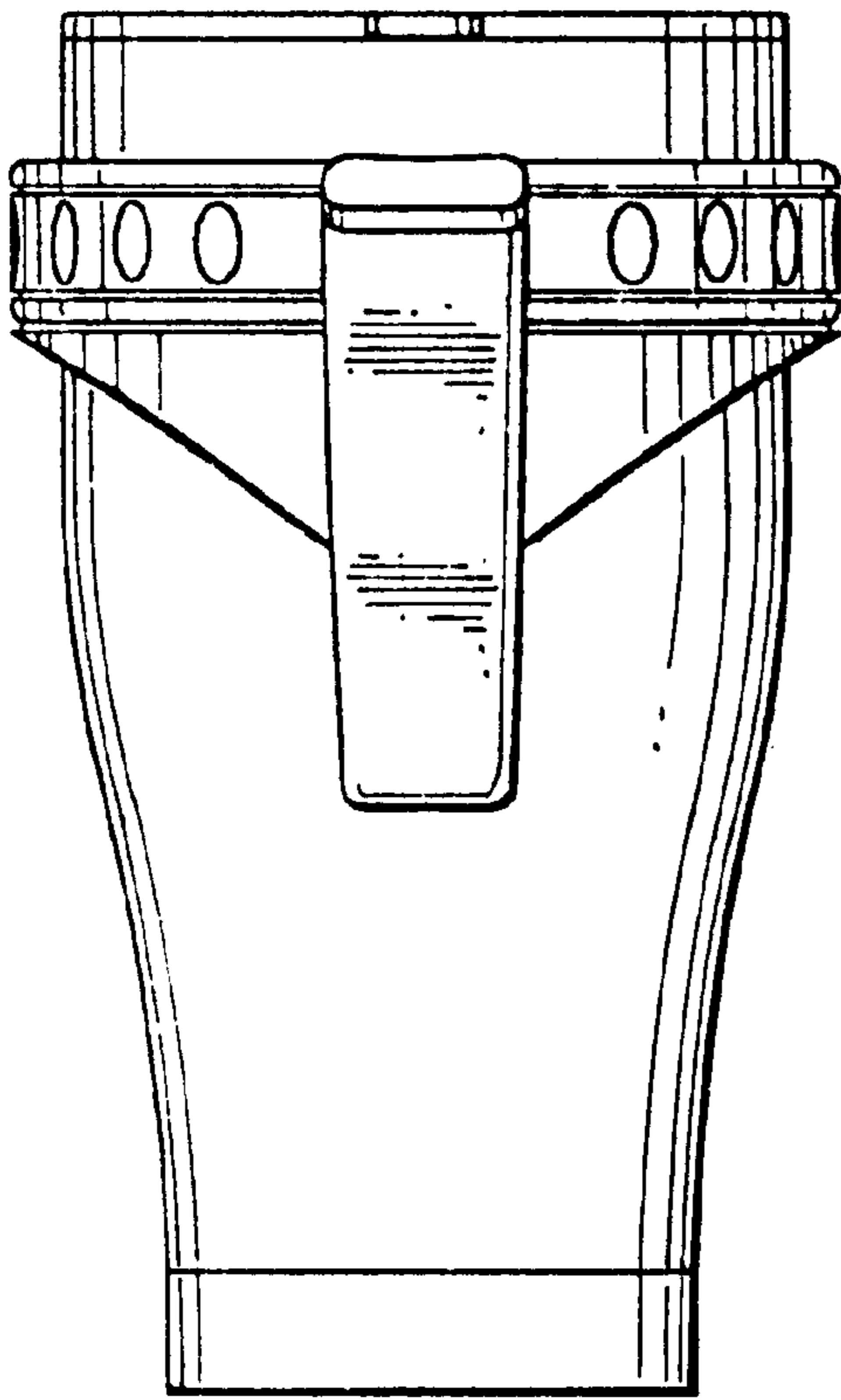


FIG. 4

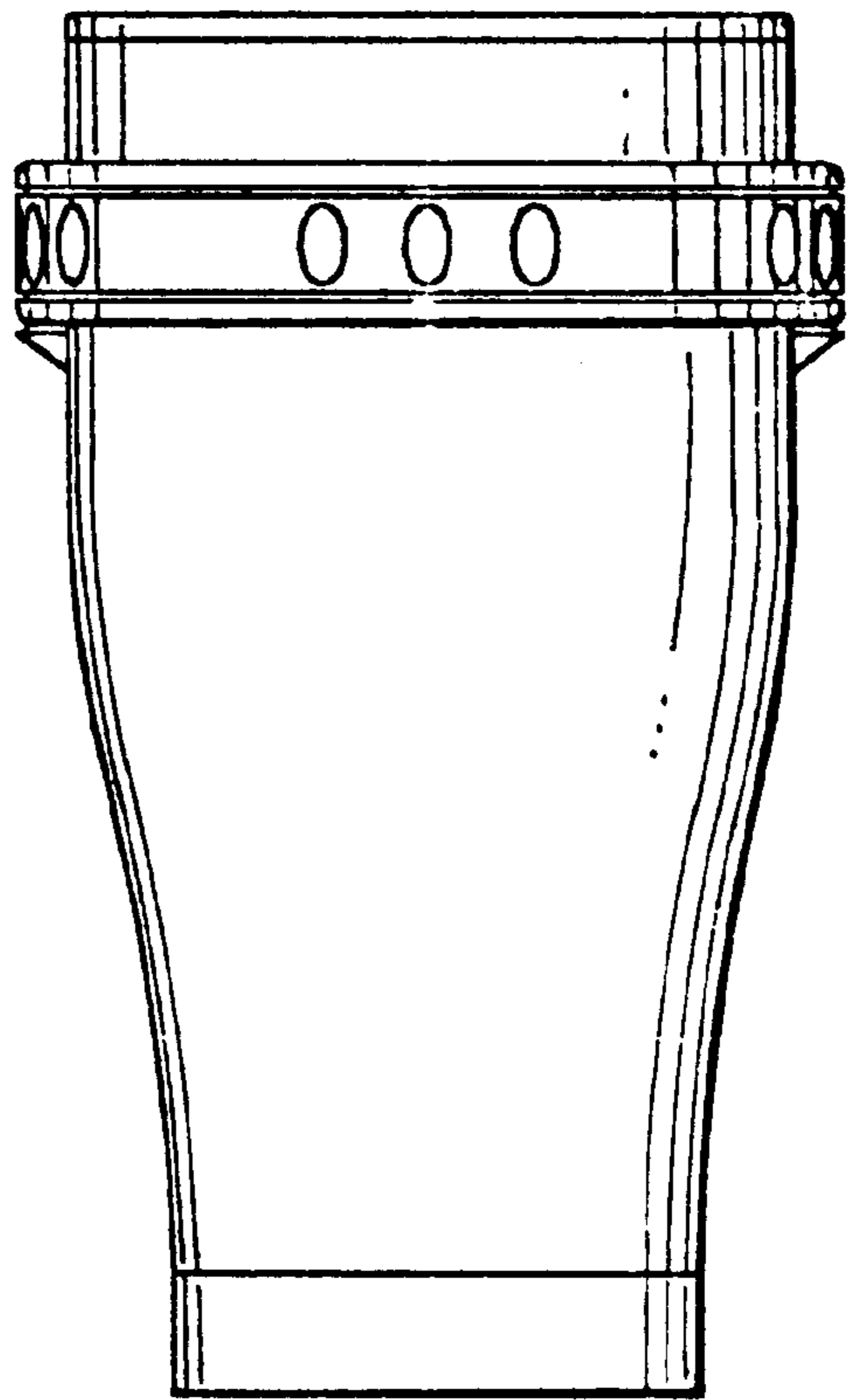


FIG. 5

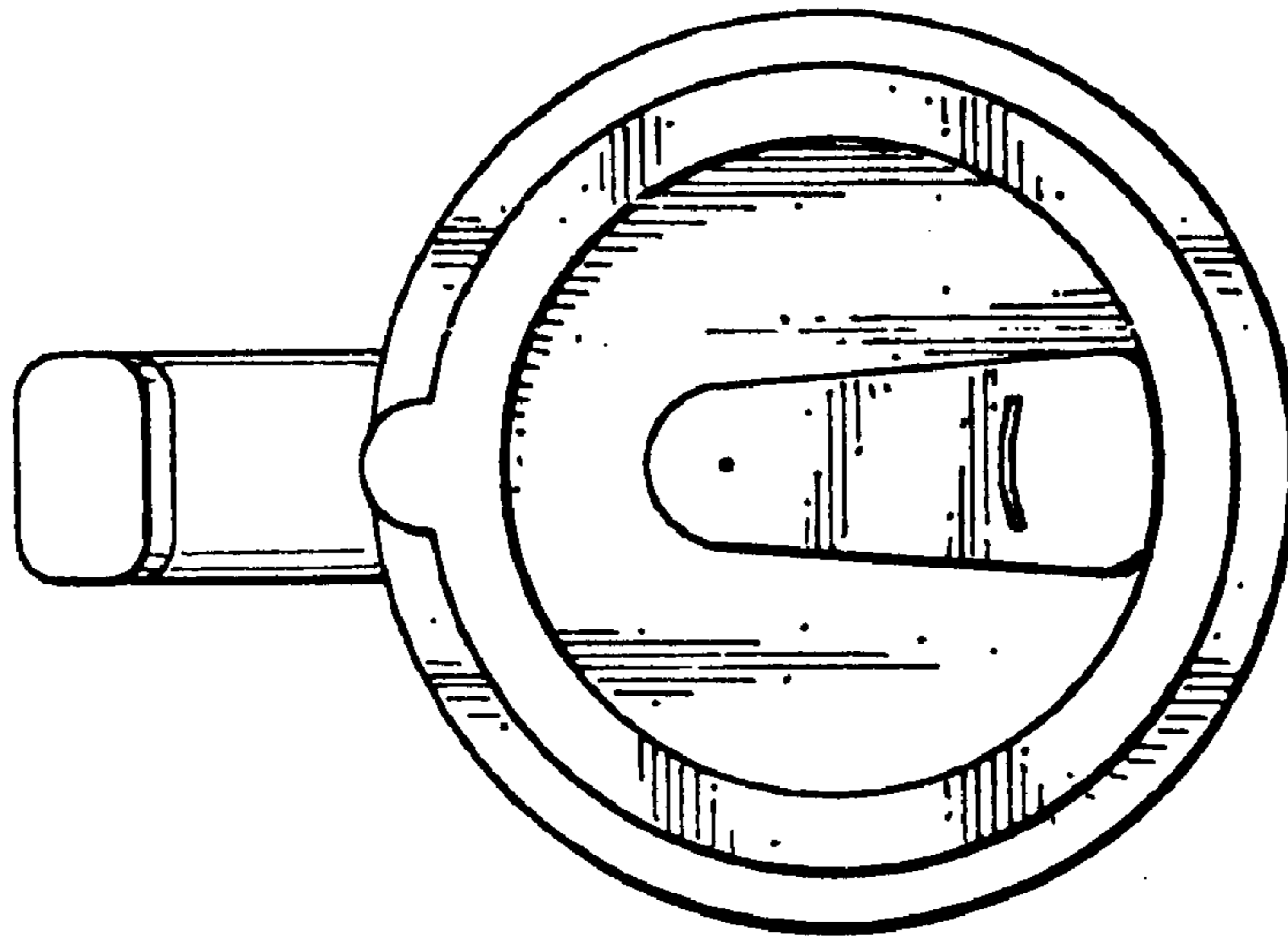


FIG. 6

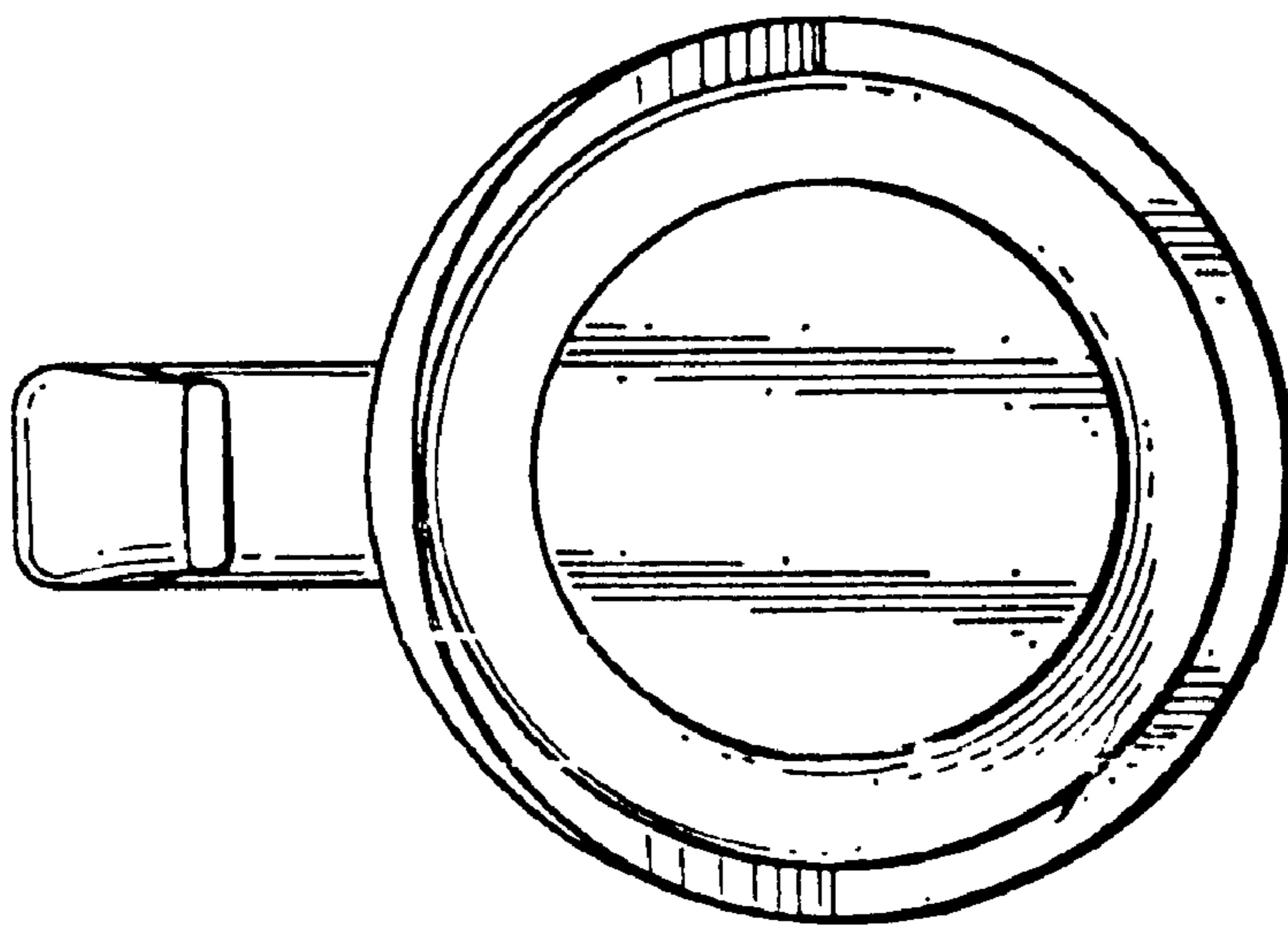


FIG. 7