



US00D439468S

(12) **United States Design Patent**
Kim

(10) **Patent No.:** **US D439,468 S**

(45) **Date of Patent:** **** Mar. 27, 2001**

(54) **MICROWAVE OVEN**

(75) Inventor: **Ki Hyuk Kim**, Seoul (KR)

(73) Assignee: **LG Electronics Inc.**, Seoul (KR)

(**) Term: **14 Years**

(21) Appl. No.: **29/124,217**

(22) Filed: **Jun. 2, 2000**

(30) **Foreign Application Priority Data**

Dec. 3, 1999 (KR) 99-29163

(51) **LOC (7) Cl.** **07-02**

(52) **U.S. Cl.** **D7/351**

(58) **Field of Search** D7/348, 350-351,
D7/354, 402, 323, 360; 126/273 R, 275 R,
275 E, 19 M, 19 R, 21 A; 219/678, 680,
756-758, 400; 99/421 H, 419, 427, 426

(56) **References Cited**

U.S. PATENT DOCUMENTS

- D. 235,126 * 5/1975 Binzer et al. .
- D. 262,088 * 12/1981 Yamamura et al. D7/351
- D. 293,644 * 1/1988 Kawaishi D7/351

- D. 295,488 * 5/1988 Kido et al. D7/351
- D. 301,109 * 5/1989 Kawaishi D7/351
- D. 303,749 * 10/1989 Steinkamp D7/351
- D. 318,396 * 7/1991 Jung D7/351
- D. 321,454 * 11/1991 Matoba et al. D7/351
- D. 324,466 * 3/1992 Yamagami et al. D7/351
- D. 371,041 * 6/1996 Matoba et al. D7/351

* cited by examiner

Primary Examiner—Ruth McInroy

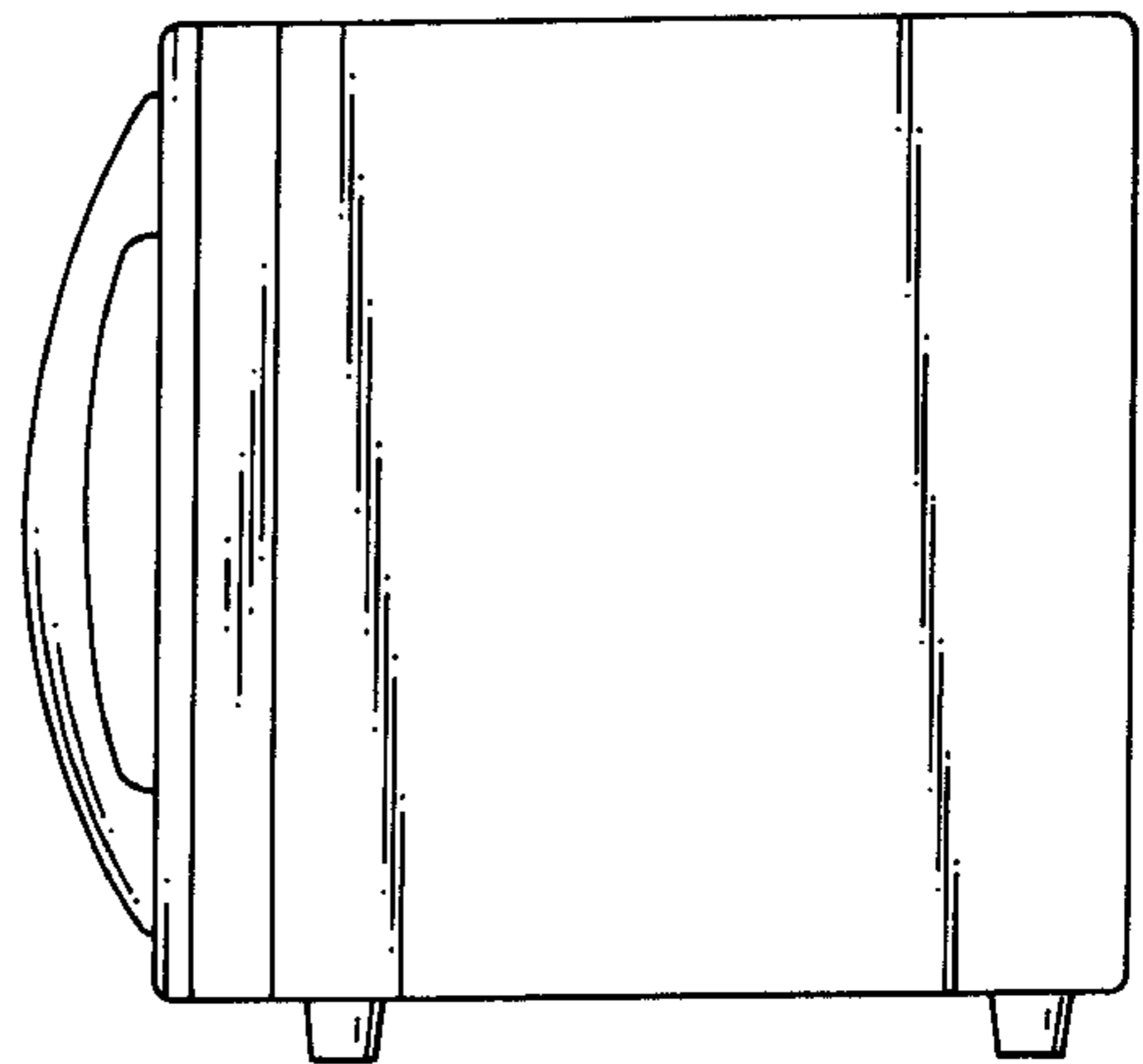
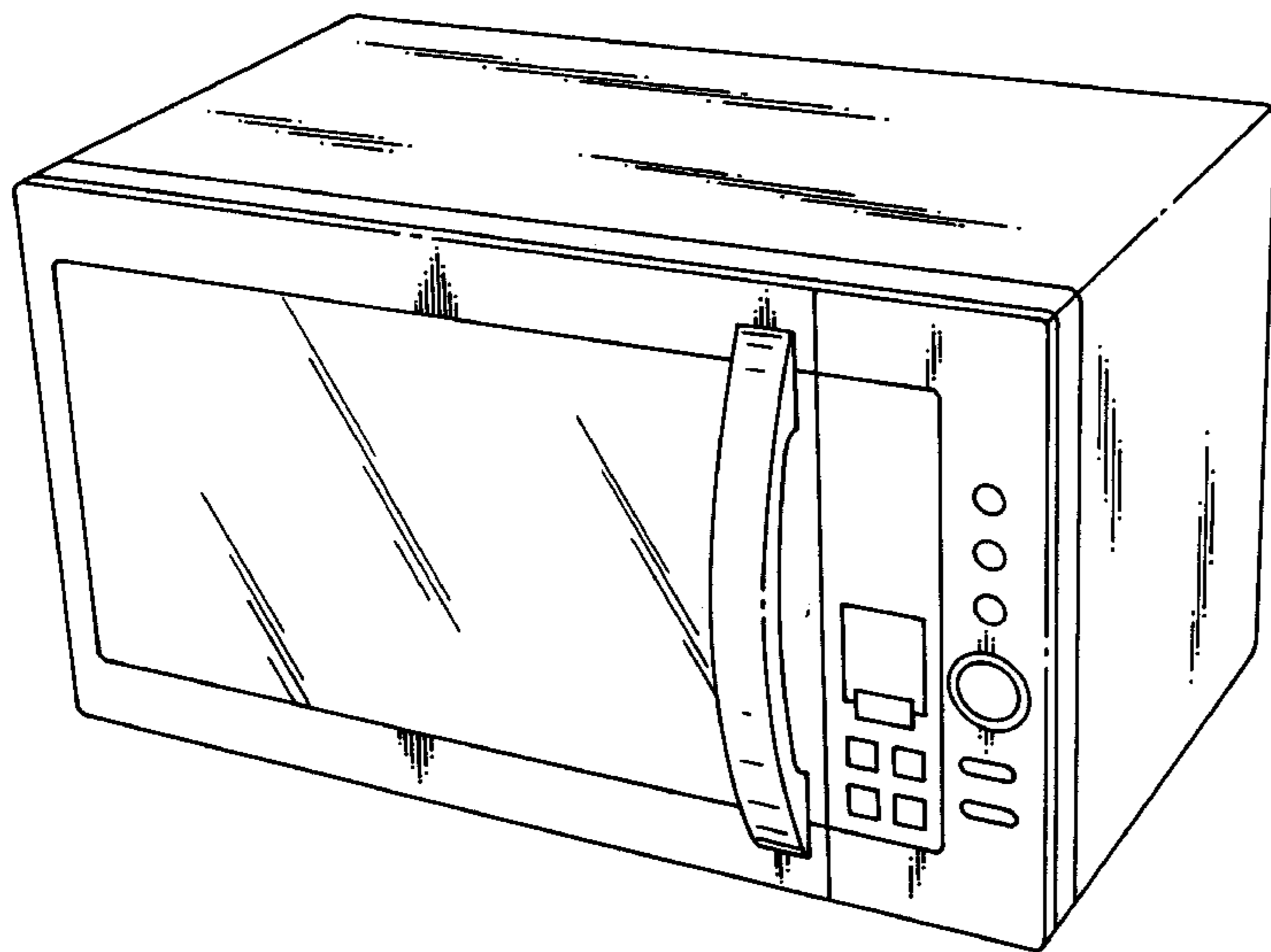
(57) **CLAIM**

I claim the ornamental design for microwave oven, as shown and described.

DESCRIPTION

FIG. 1 is a perspective view of a microwave oven showing my new design;
 FIG. 2 is a front view thereof;
 FIG. 3 is a rear view thereof;
 FIG. 4 is a left-side view thereof;
 FIG. 5 is a right-side view thereof;
 FIG. 6 is a top plan view thereof; and,
 FIG. 7 is a bottom plan view thereof.

1 Claim, 4 Drawing Sheets



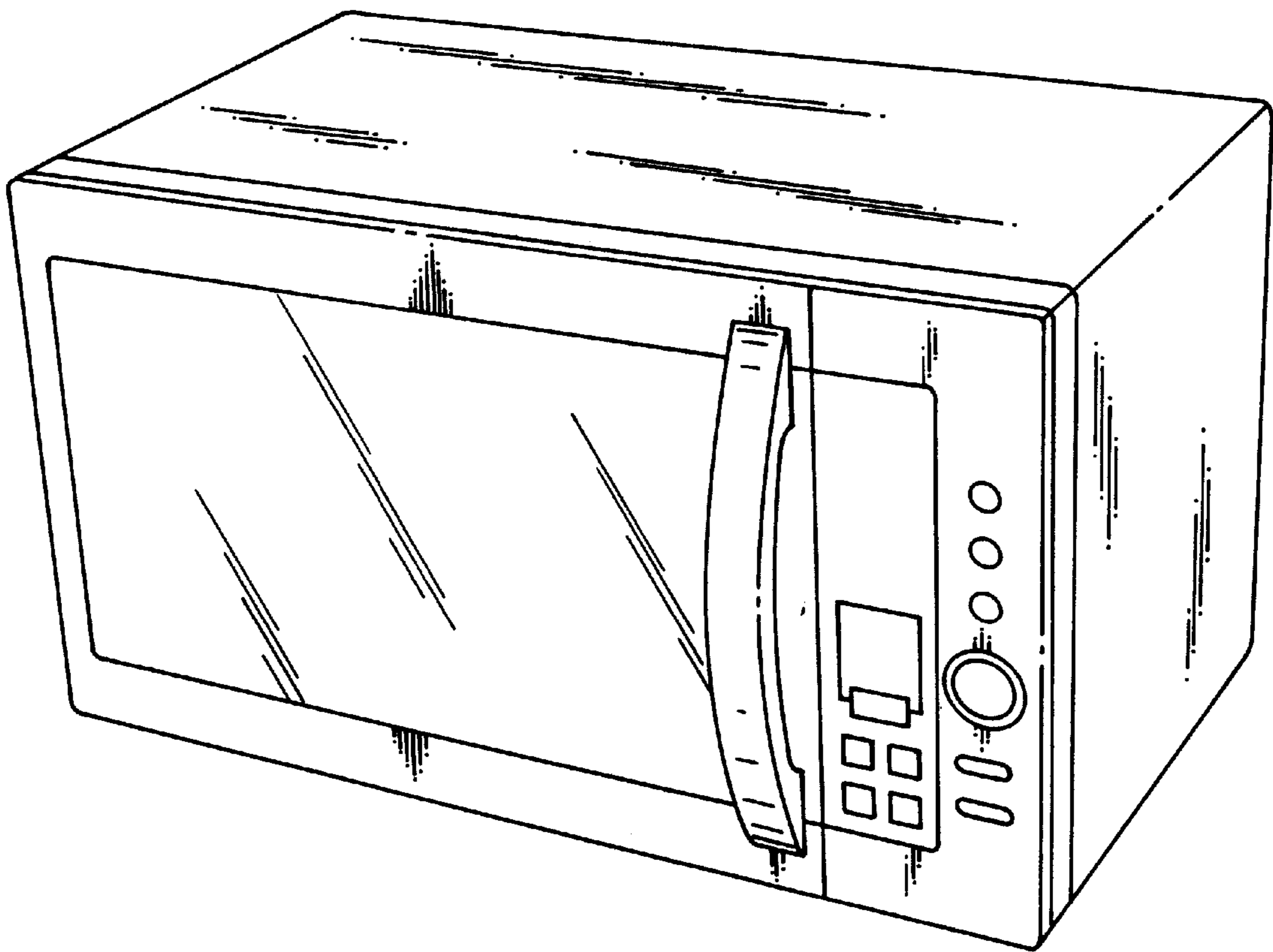


FIG. 1

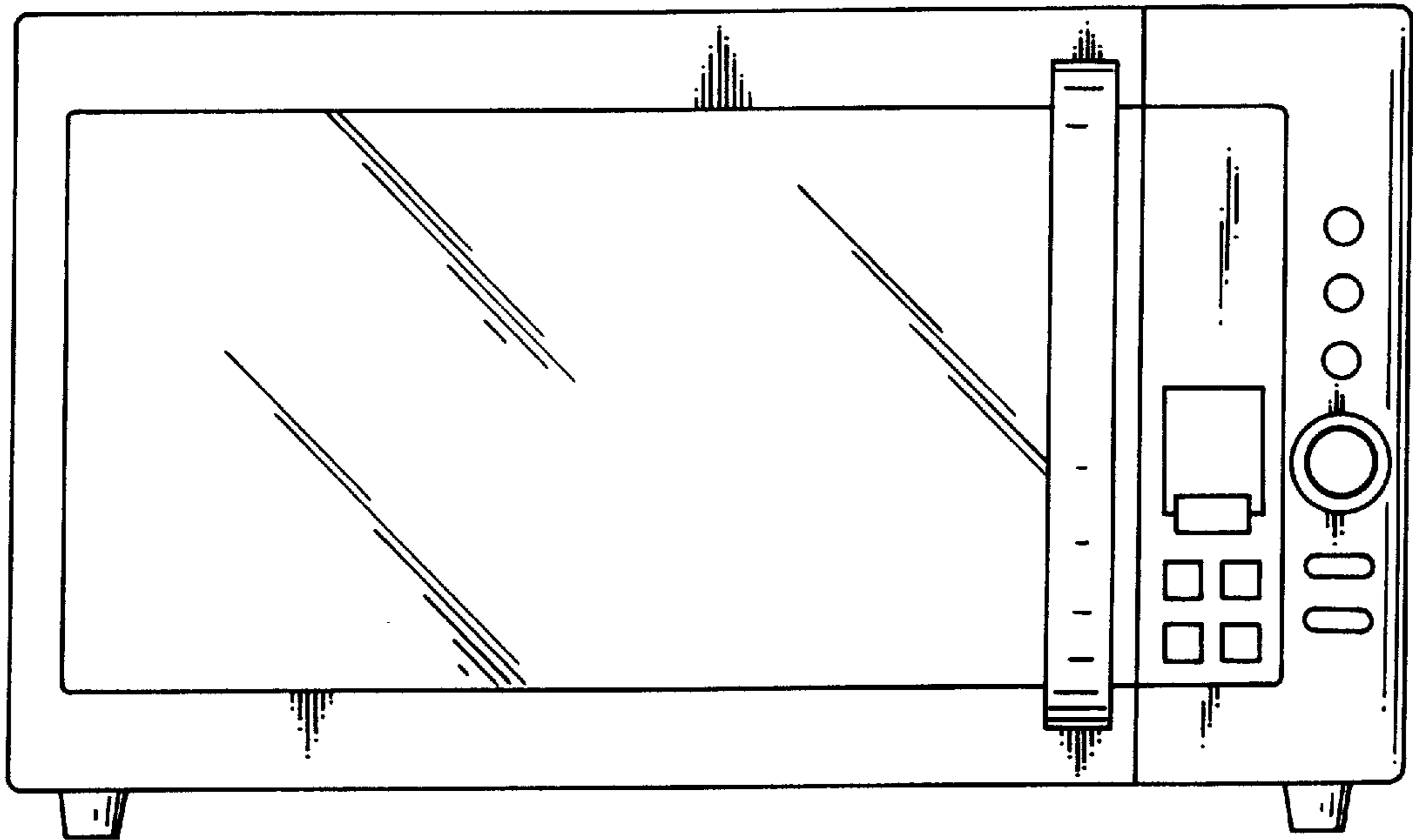


FIG. 2

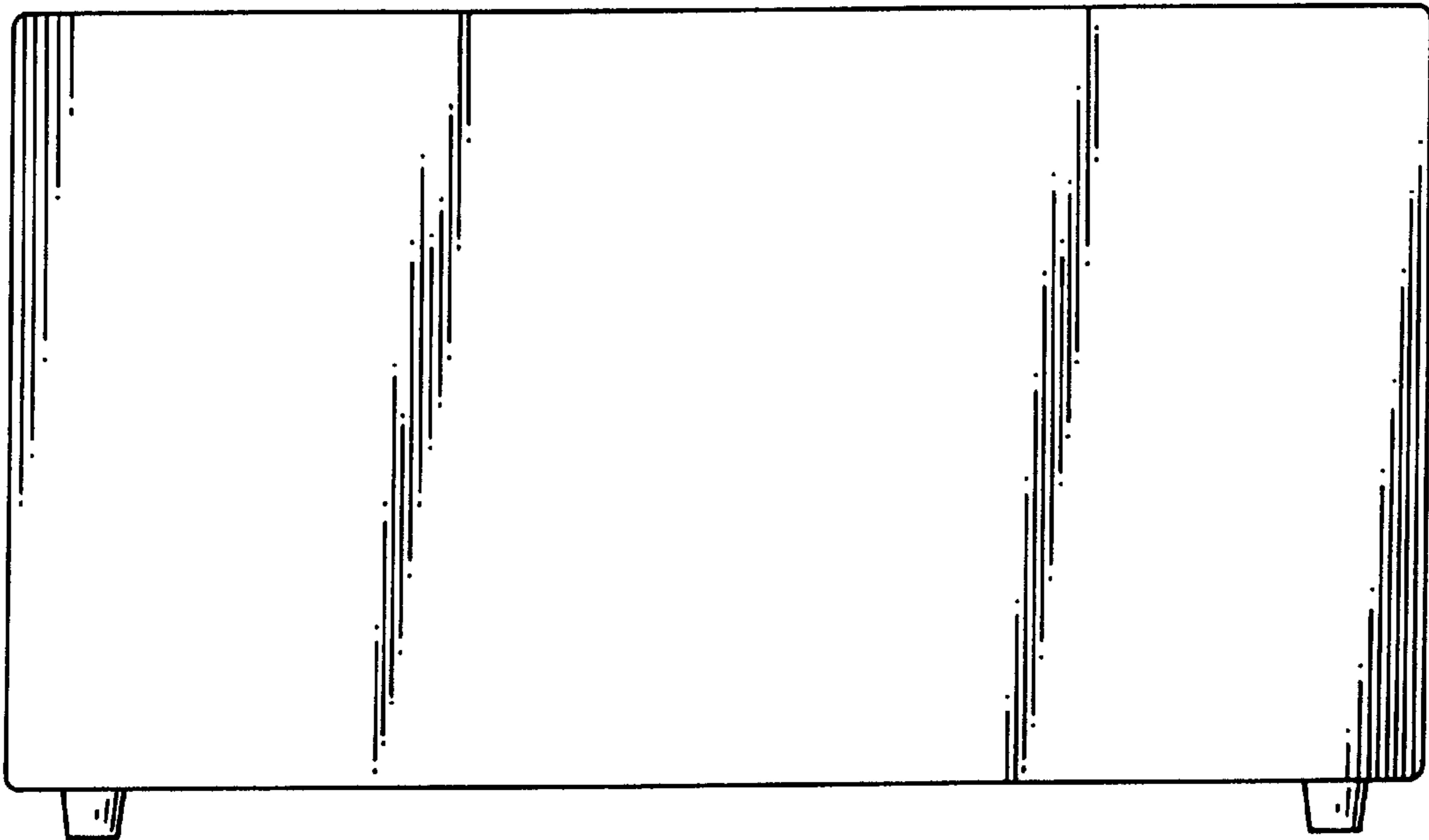


FIG. 3

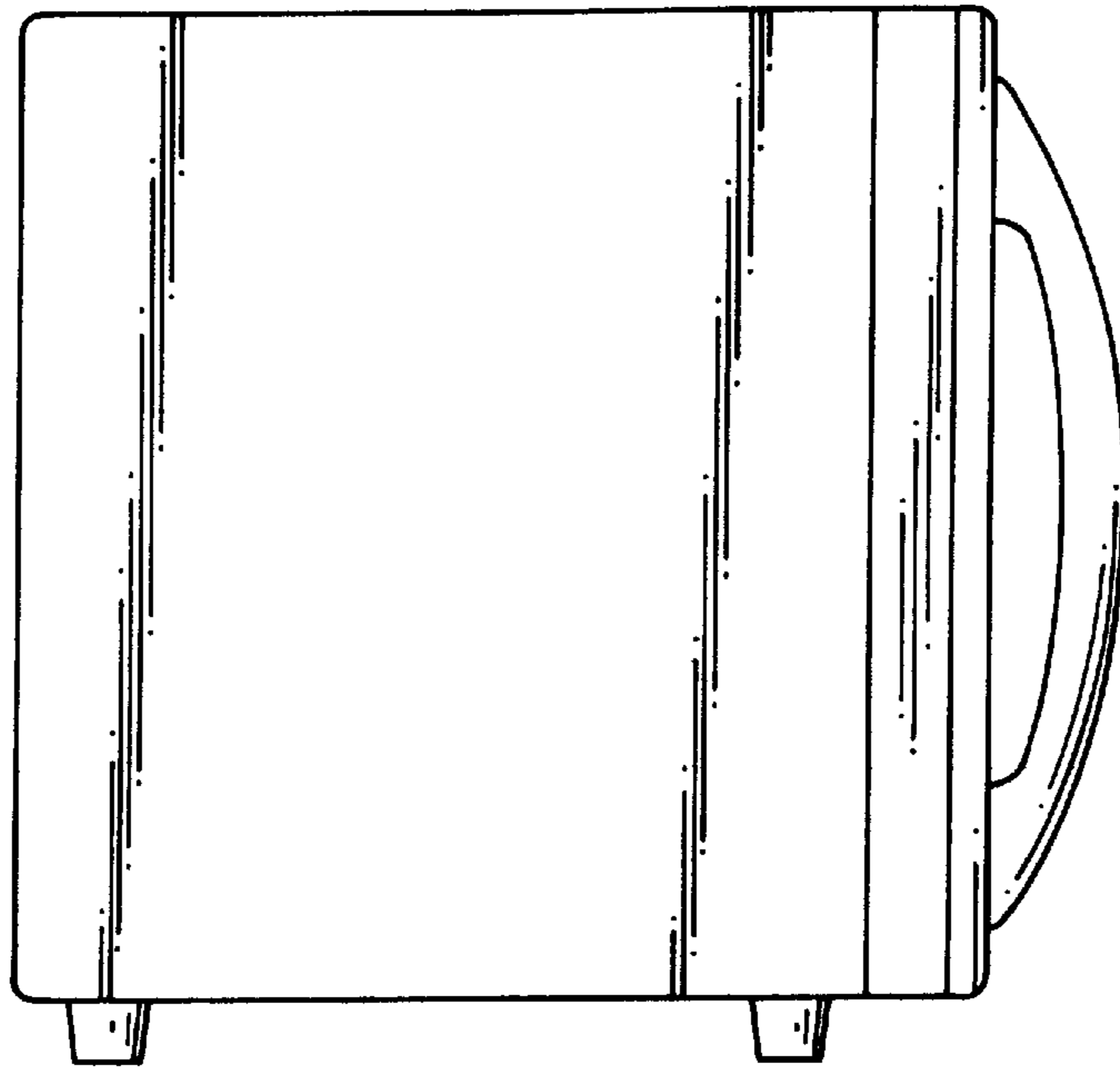


FIG. 4

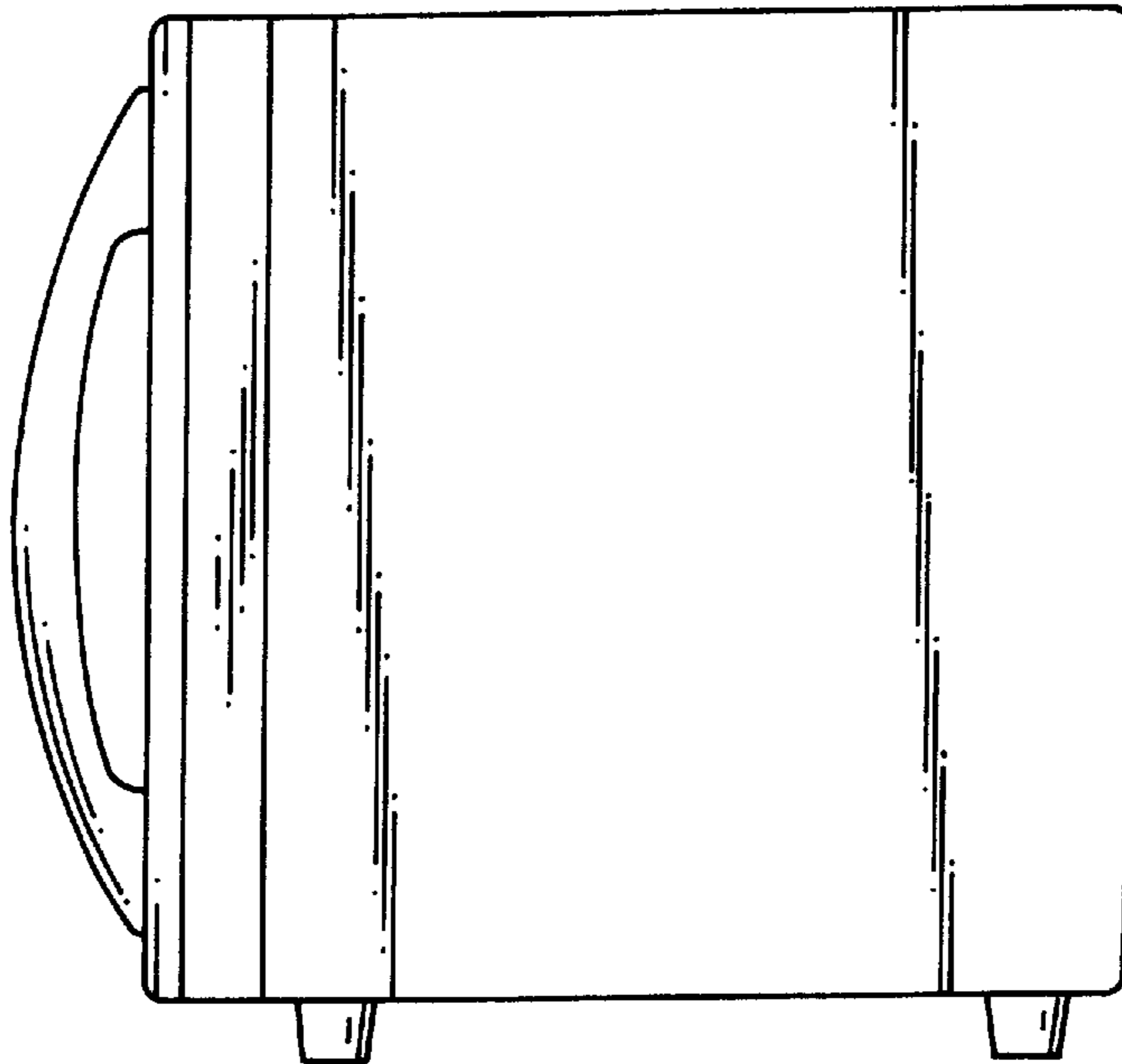


FIG. 5

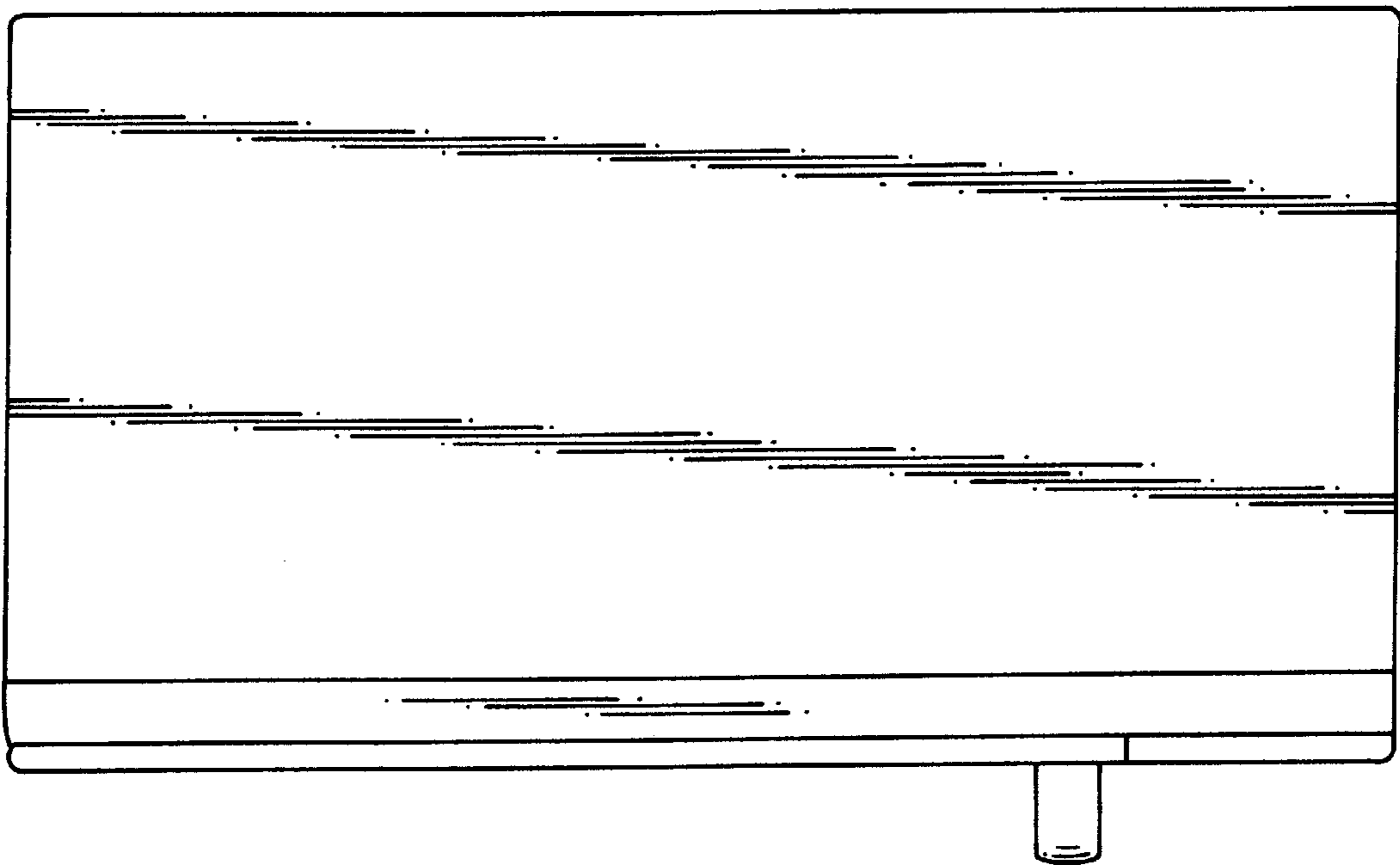


FIG. 6

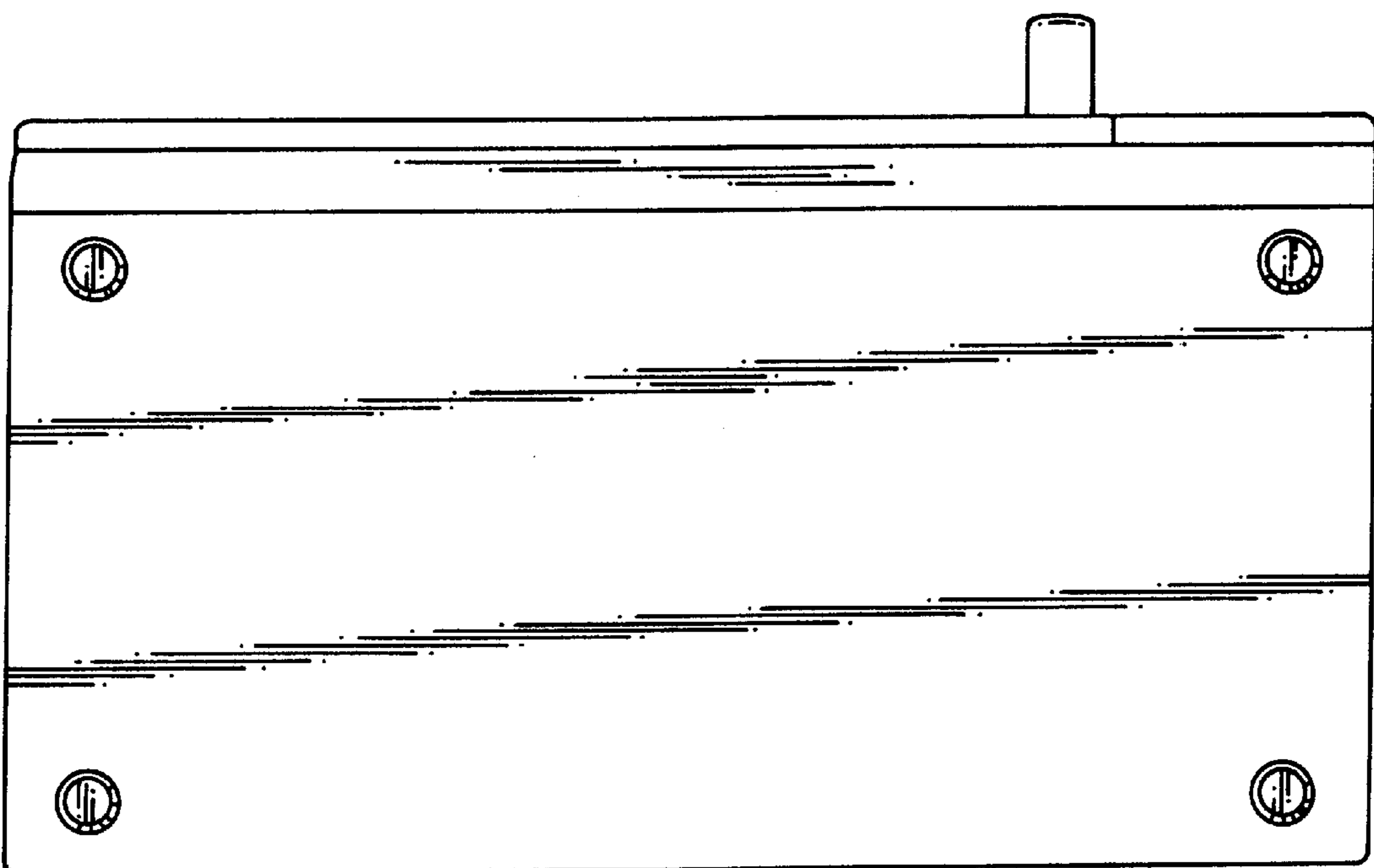


FIG. 7