



US00D439467S

(12) **United States Design Patent**
Hsu

(10) **Patent No.:** **US D439,467 S**

(45) **Date of Patent:** **** Mar. 27, 2001**

- (54) **OVEN**
- (75) Inventor: **Tony Hsu, Yung Kang (TW)**
- (73) Assignee: **Lundar Electric Industrial Co., Ltd.,
Tainan Hsien (TW)**
- (**) Term: **14 Years**
- (21) Appl. No.: **29/120,088**
- (22) Filed: **Mar. 15, 2000**
- (51) **LOC (7) Cl.** **07-02**
- (52) **U.S. Cl.** **D7/350**
- (58) **Field of Search** D7/348, 350-351,
D7/354, 402, 323, 360; 126/273 R, 275 R,
275 E, 19 M, 19 R, 21 A; 219/678, 680,
756-758, 400; 99/421 H, 419, 427, 426

- D. 360,103 * 7/1995 Kim D7/351
- D. 386,938 * 12/1997 Piret D7/350
- D. 425,749 * 5/2000 Homayoun et al. D7/350
- 6,069,344 * 5/2000 Krasznai et al. 219/400

* cited by examiner

Primary Examiner—Ruth McInroy

(74) *Attorney, Agent, or Firm*—Rosenberg, Klein & Lee

(57) **CLAIM**

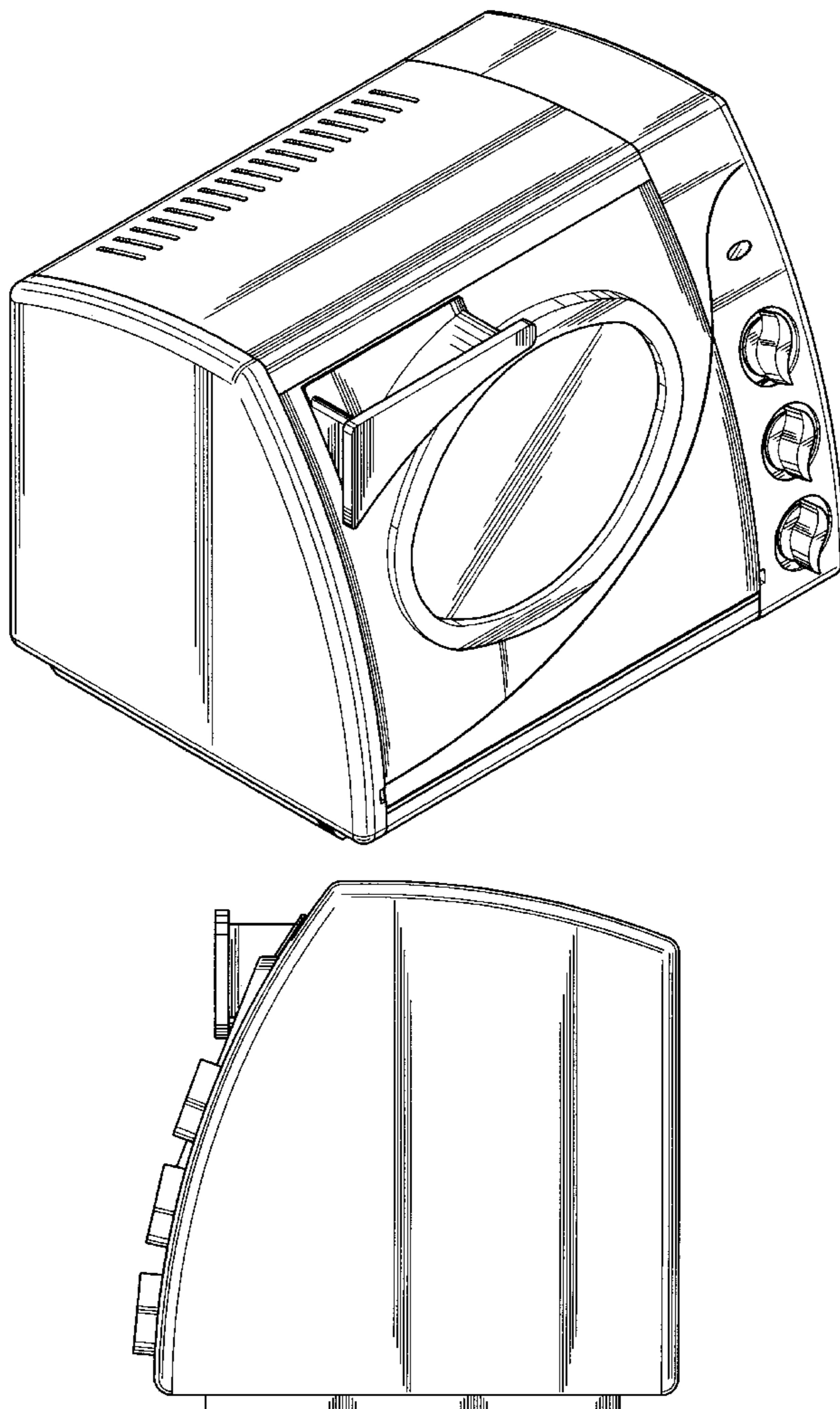
The ornamental design for oven, as shown and described.

DESCRIPTION

FIG. 1 is a perspective view of oven showing my new design;
 FIG. 2 is a front view thereof;
 FIG. 3 is a rear view thereof;
 FIG. 4 is a left view thereof;
 FIG. 5 is a right view thereof;
 FIG. 6 is a top plan view thereof; and,
 FIG. 7 is a bottom plan view.

- (56) **References Cited**
- U.S. PATENT DOCUMENTS**
- D. 300,711 * 4/1989 Moritani D7/351
- D. 309,078 * 7/1990 Kokubo D7/351

1 Claim, 7 Drawing Sheets



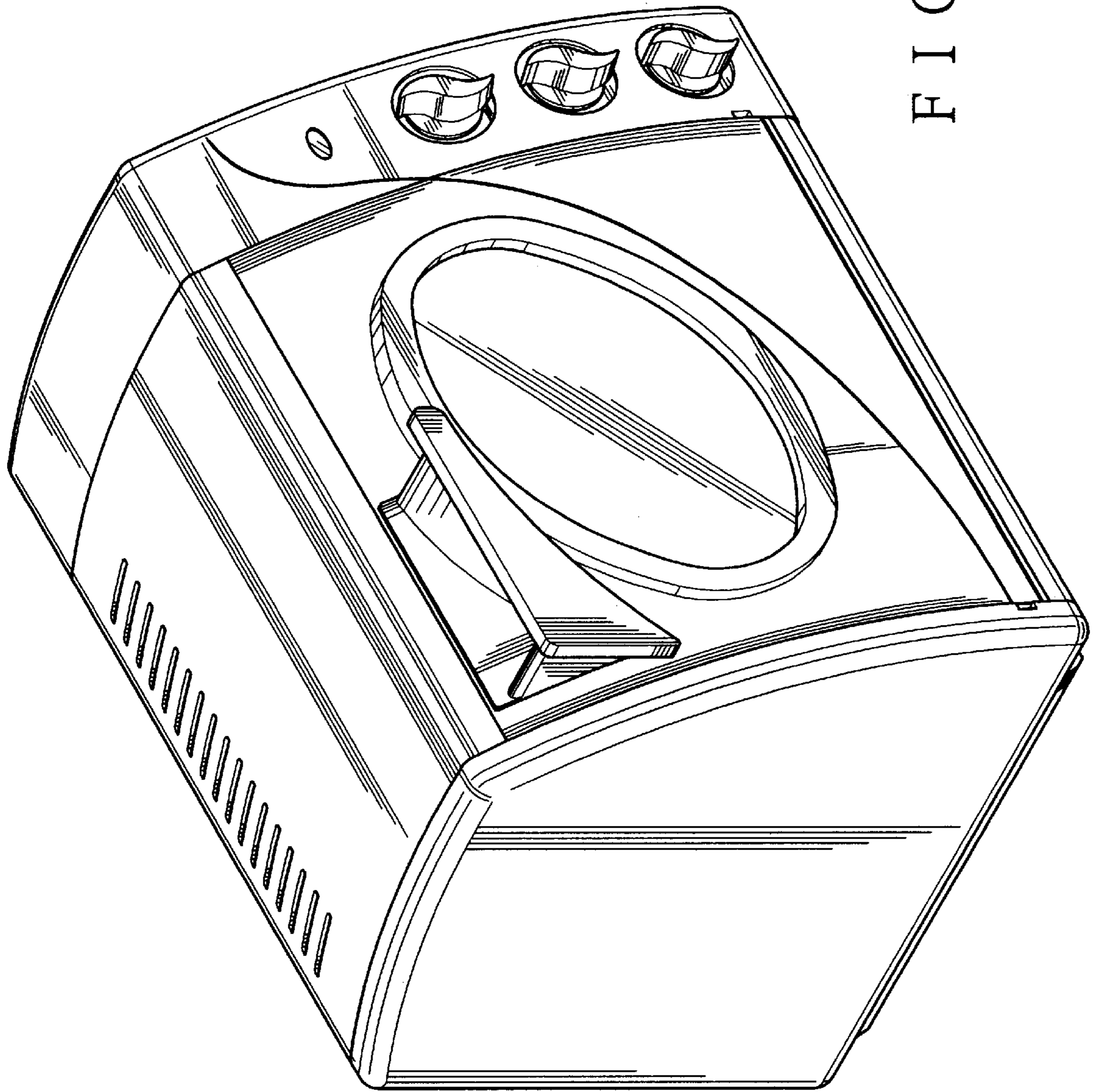


FIG. 1

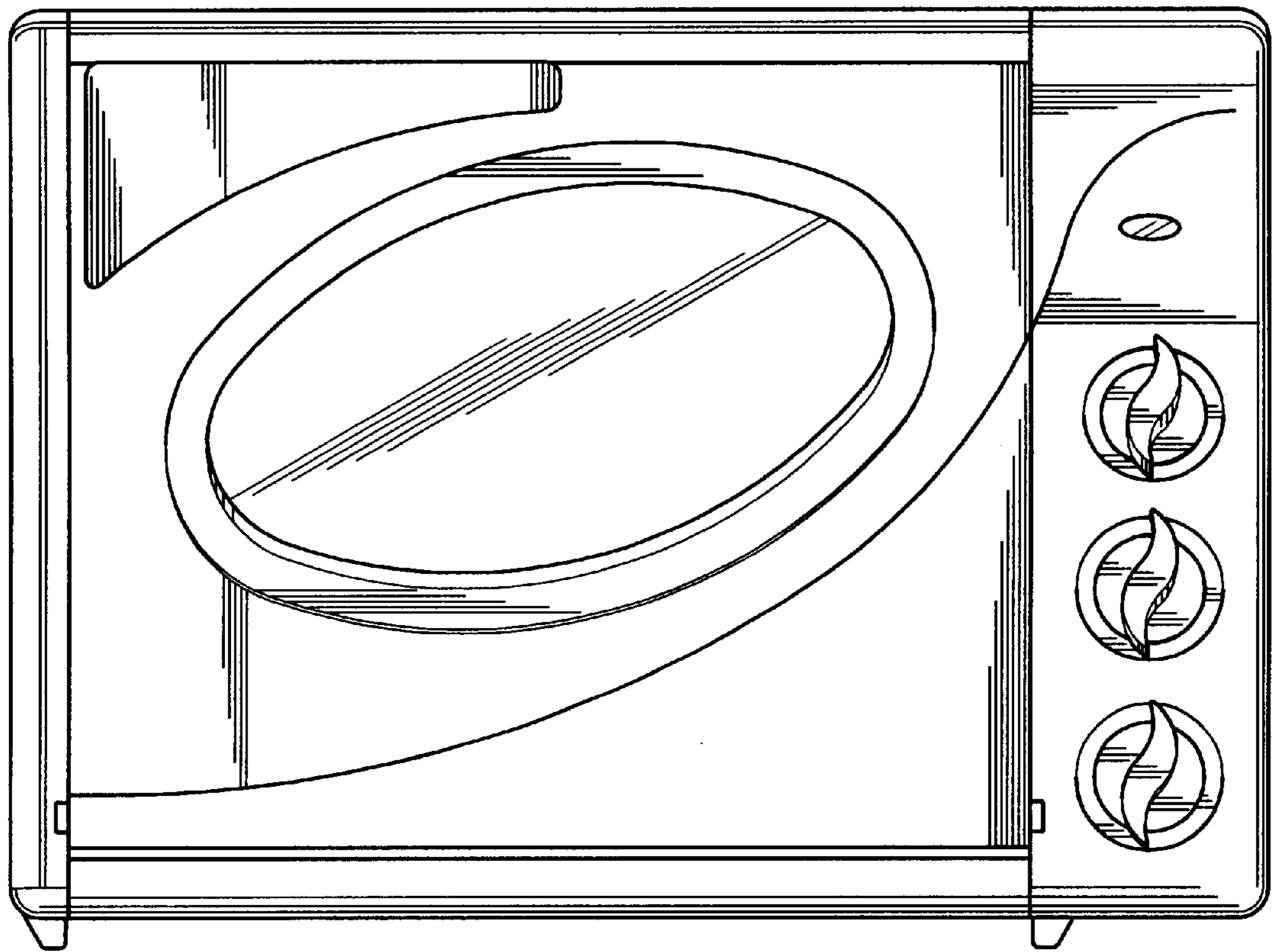


FIG. 2

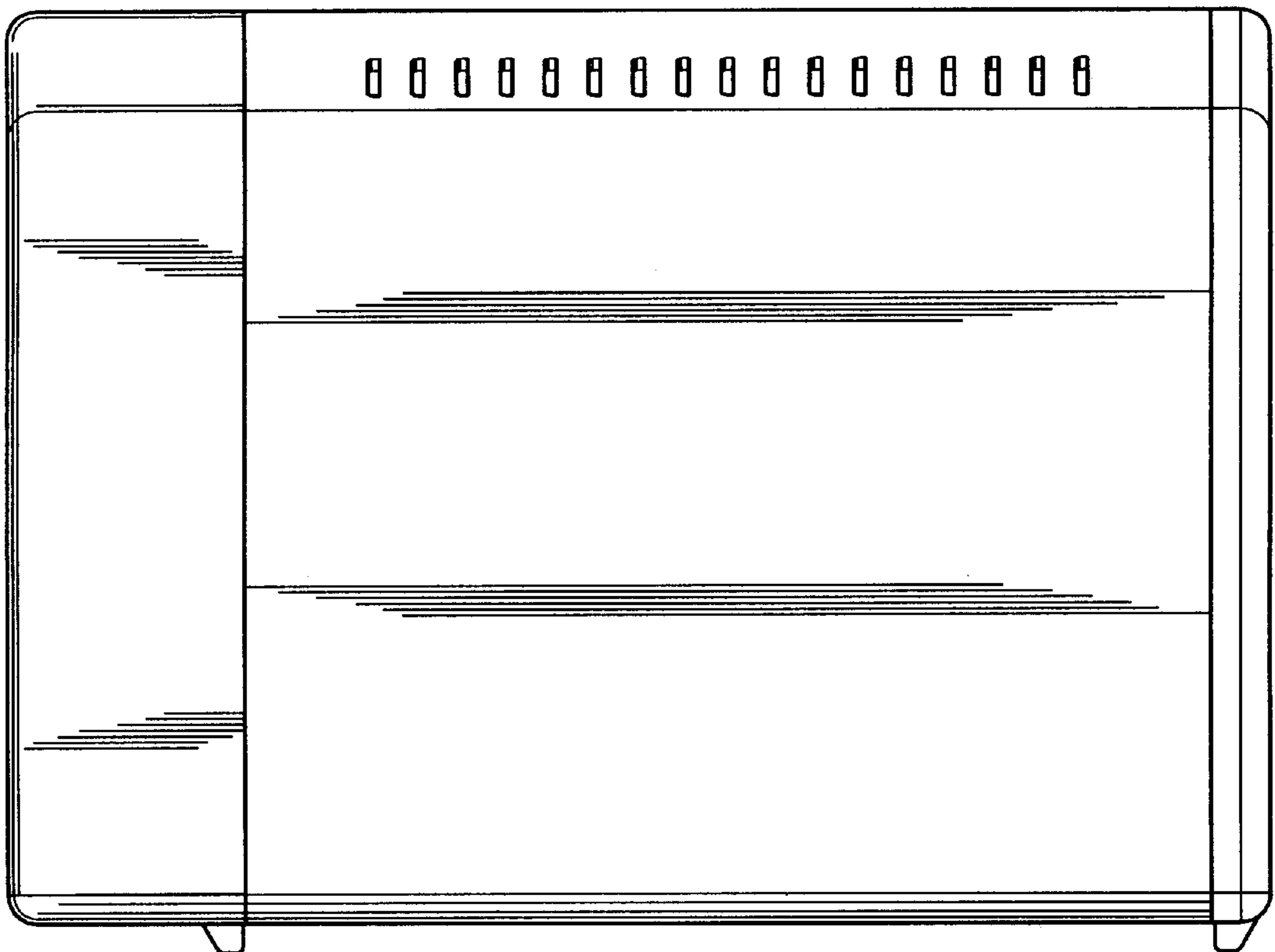


FIG. 3

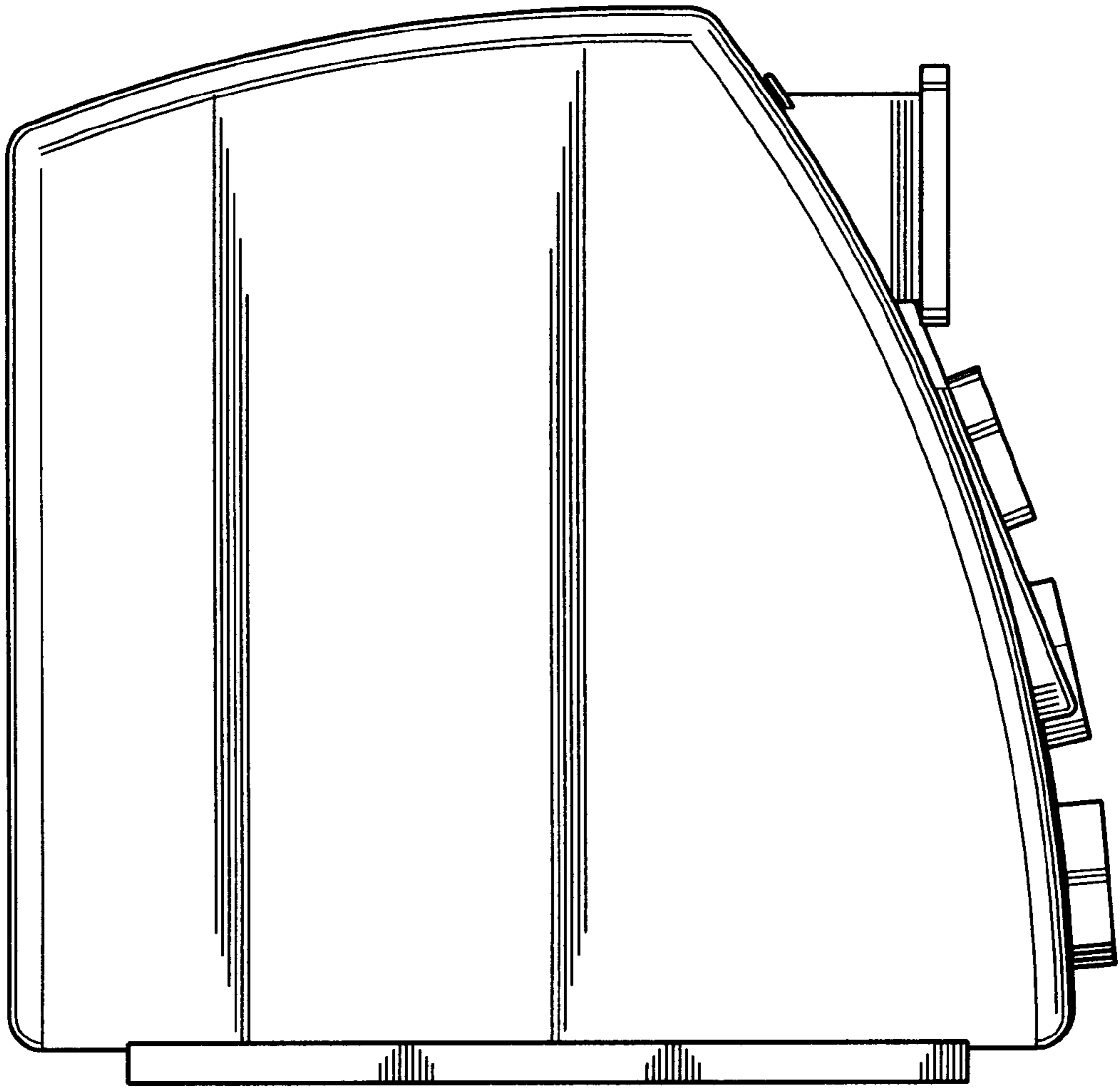


FIG. 4

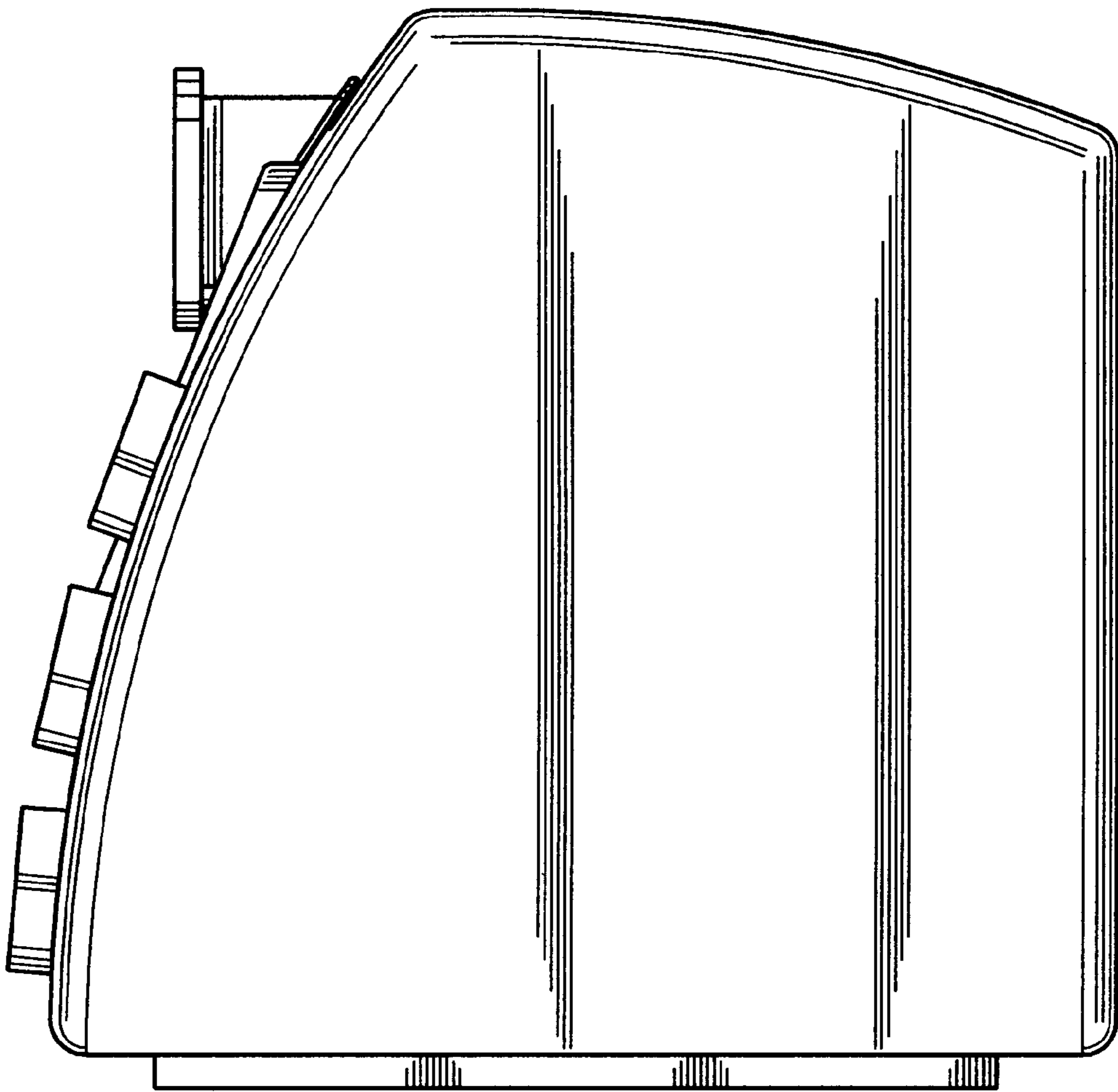


FIG. 5

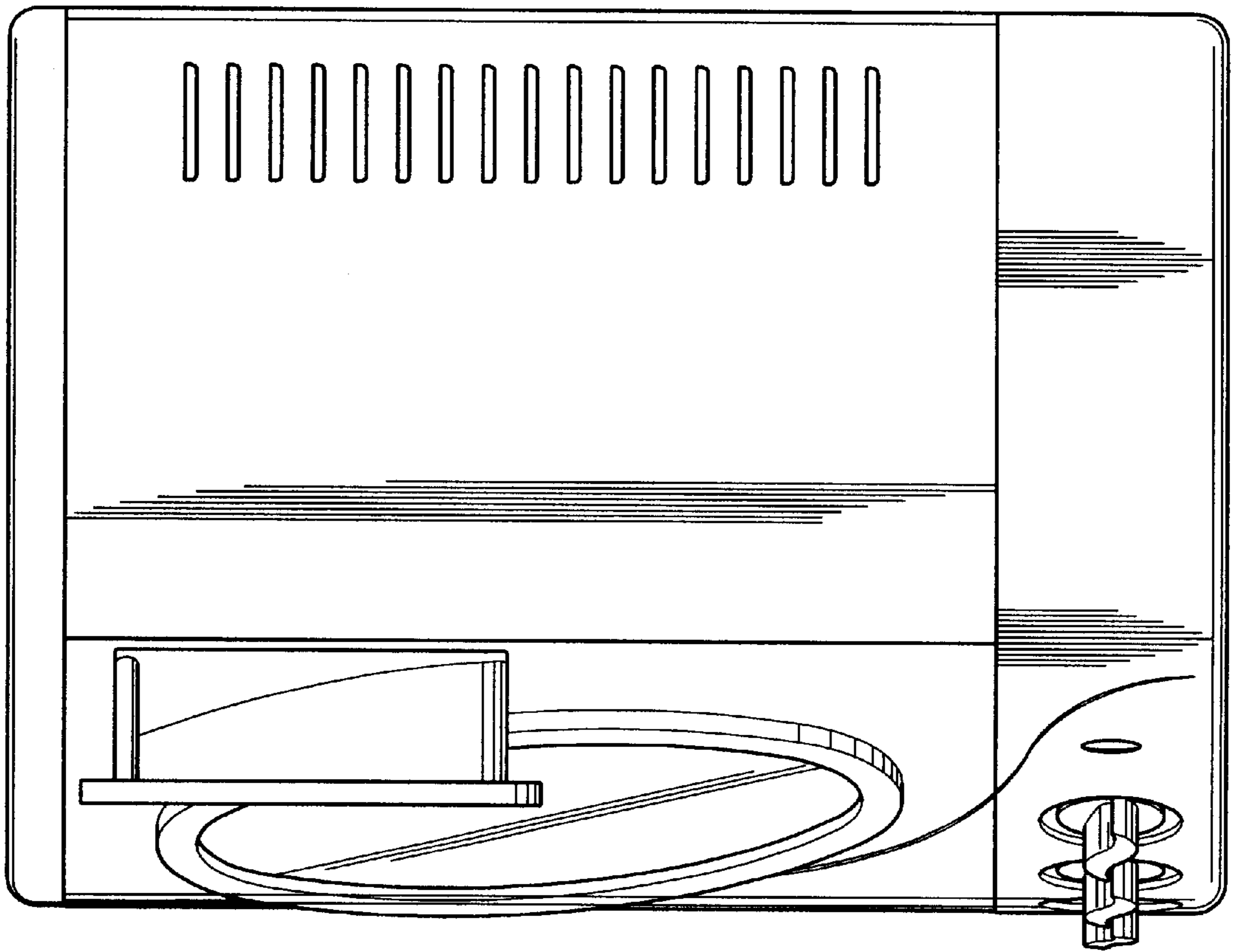


FIG. 6

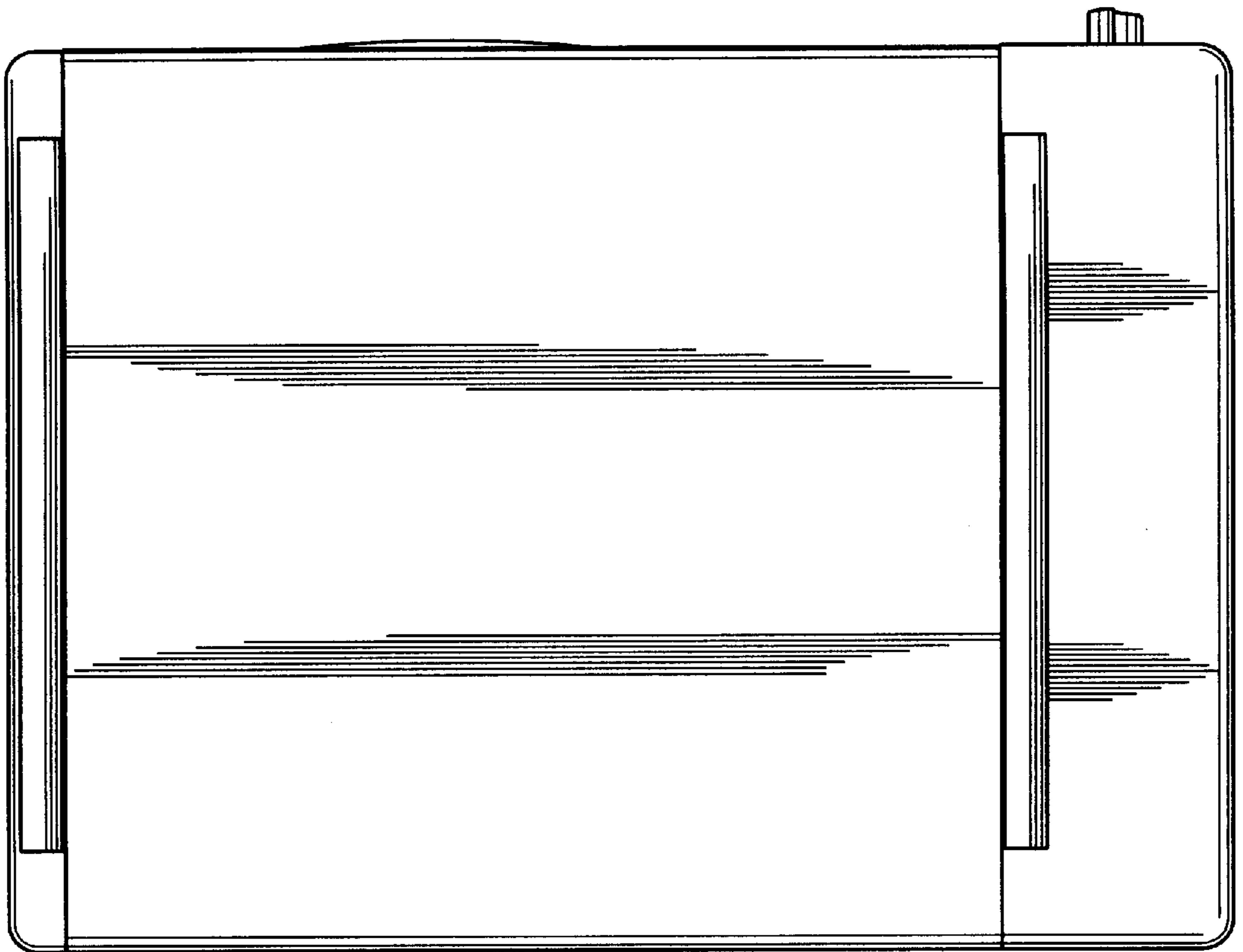


FIG. 7