



US00D439466S

(12) **United States Design Patent**
Bouhuys

(10) **Patent No.:** **US D439,466 S**

(45) **Date of Patent:** **** Mar. 27, 2001**

(54) **ELECTRIC WATER KETTLE**
(75) Inventor: **Louis Johan Bouhuys**, Groningen (NL)
(73) Assignee: **U.S. Philips Corporation**, New York, NY (US)
(**) Term: **14 Years**

D. 377,437 * 1/1997 Magnusson D7/319
D. 389,369 * 1/1998 Hippen D7/319
D. 396,378 * 7/1998 Hensel D7/319
D. 398,184 * 9/1998 Silverberg et al. D7/319
D. 399,090 * 10/1998 Green D7/319
D. 413,481 * 9/1999 Choi D7/319
D. 427,478 * 7/2000 Littmann et al. D7/318

* cited by examiner

(21) Appl. No.: **29/111,119**
(22) Filed: **Sep. 21, 1999**

Primary Examiner—M. N. Pandozzi
(74) *Attorney, Agent, or Firm*—Ernestine C. Bartlett

(30) **Foreign Application Priority Data**

(57) **CLAIM**

Apr. 8, 1999 (XH) DMA 004 444

The ornamental design for an electric water kettle, as shown.

(51) **LOC (7) Cl.** **07-01**
(52) **U.S. Cl.** **D7/319; D7/318**
(58) **Field of Search** D7/312, 313, 316,
D7/317, 318, 319, 322; 99/279, 307, 280,
283; 220/300; 222/475.1, 131, 143, 88

DESCRIPTION

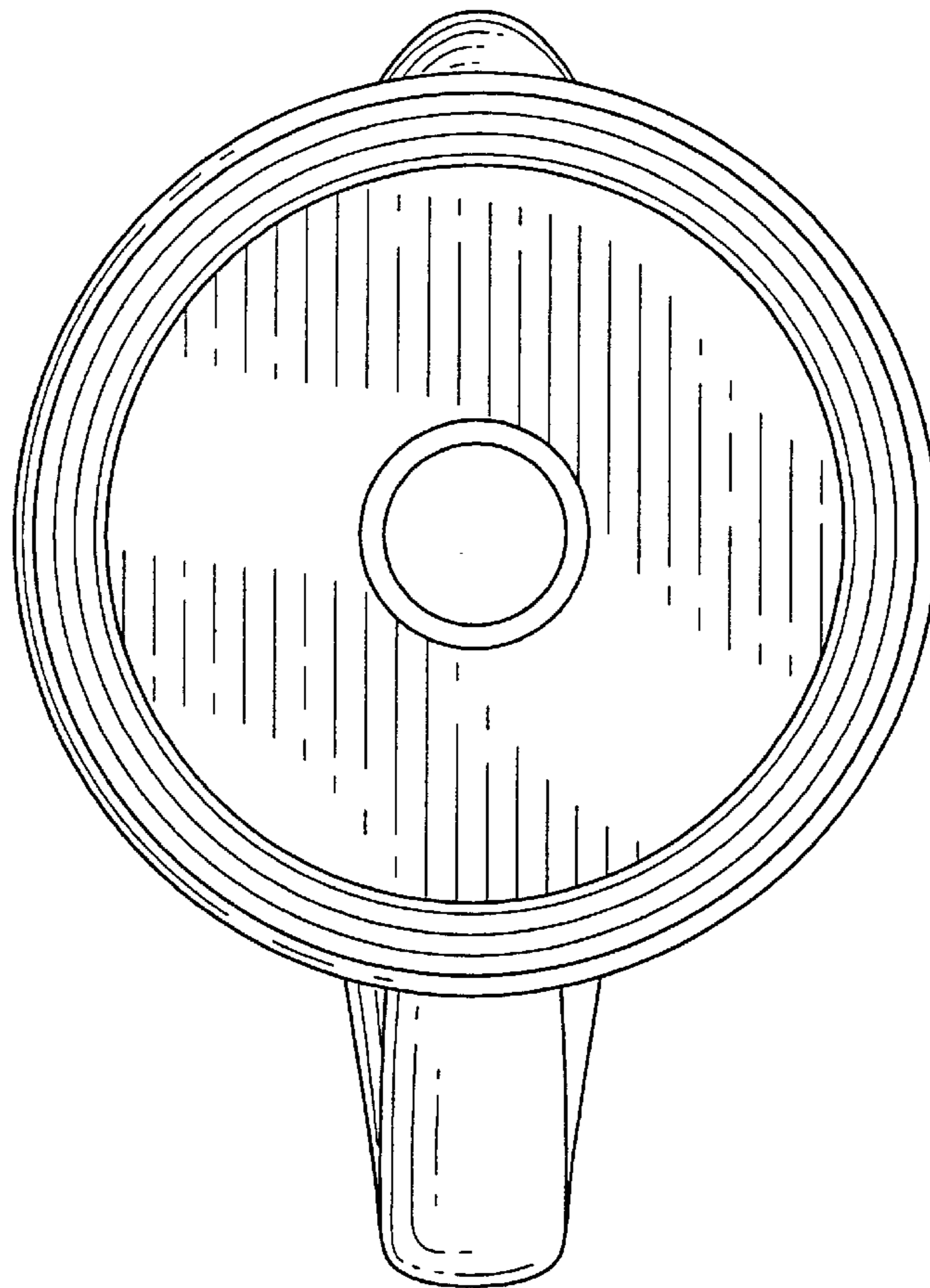
(56) **References Cited**

FIG. 1 is a perspective view showing my design;
FIG. 2 is a front elevational view thereof;
FIG. 3 is a rear elevational view thereof;
FIG. 4 is a right side elevational view thereof;
FIG. 5 is a left side elevational view thereof;
FIG. 6 is a top plan view thereof; and,
FIG. 7 is a bottom plan view thereof.

U.S. PATENT DOCUMENTS

D. 362,151 * 9/1995 Wilson et al. D7/319
D. 362,582 * 9/1995 Wilson et al. D7/319

1 Claim, 7 Drawing Sheets



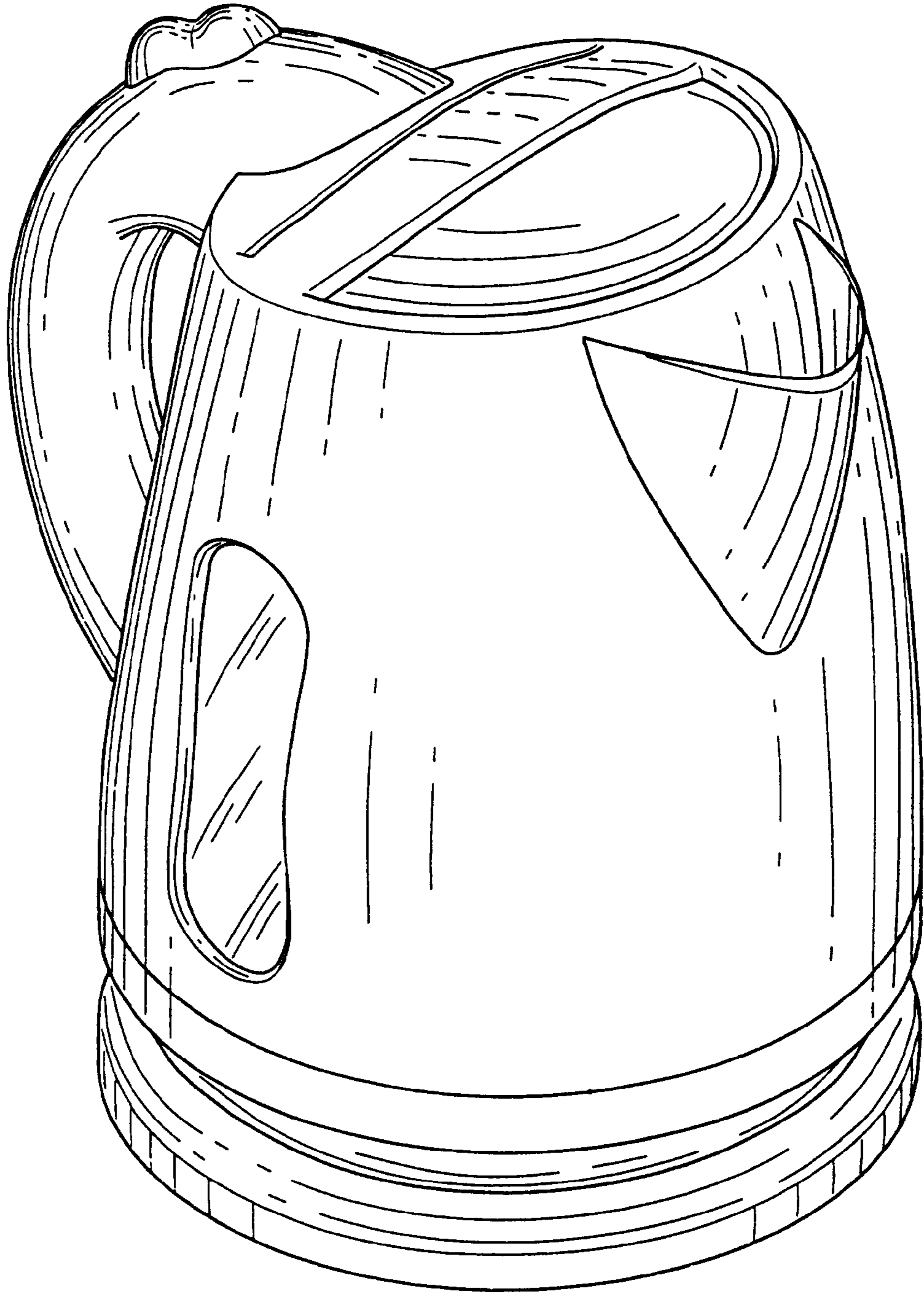


FIG.1

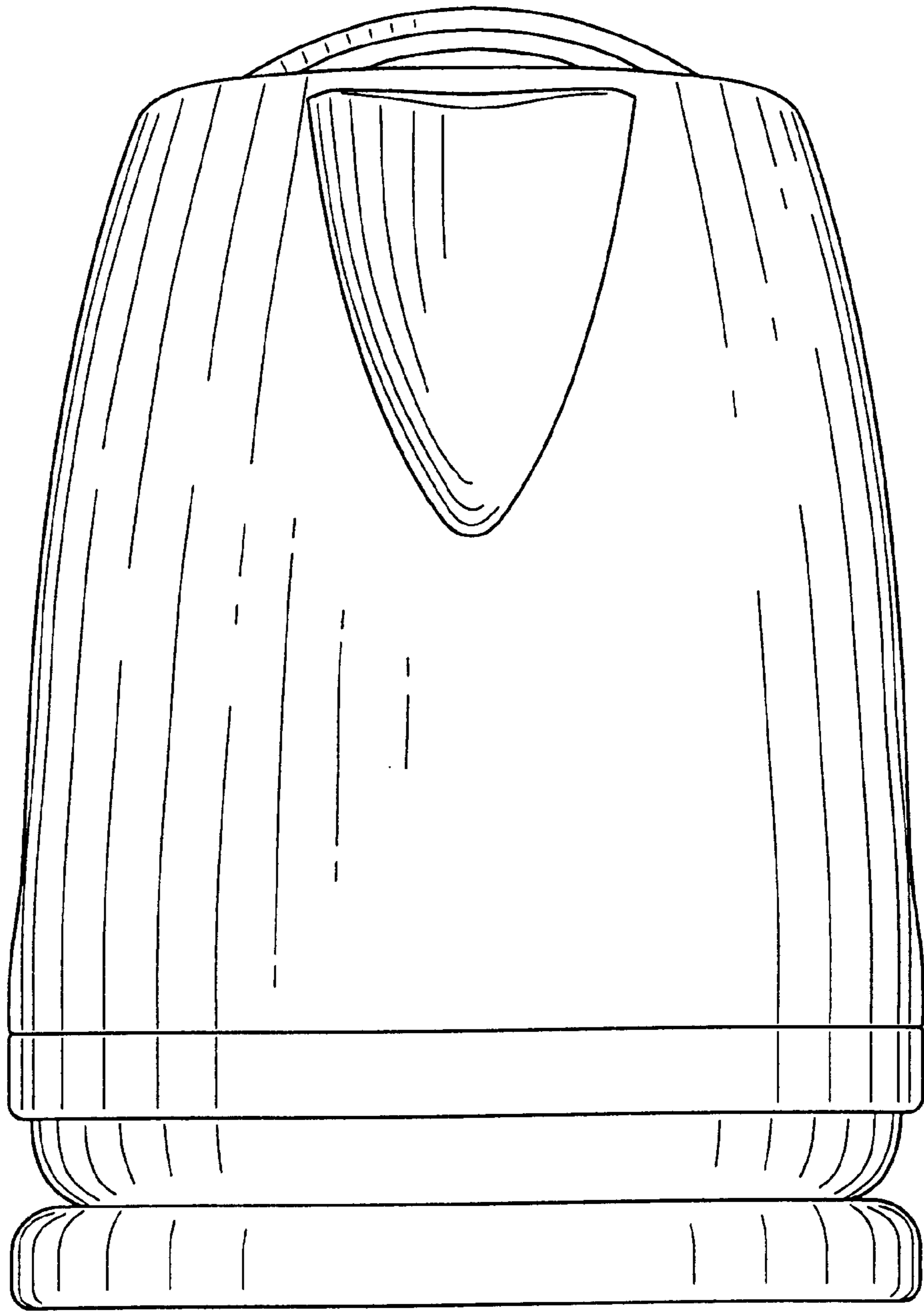


FIG.2

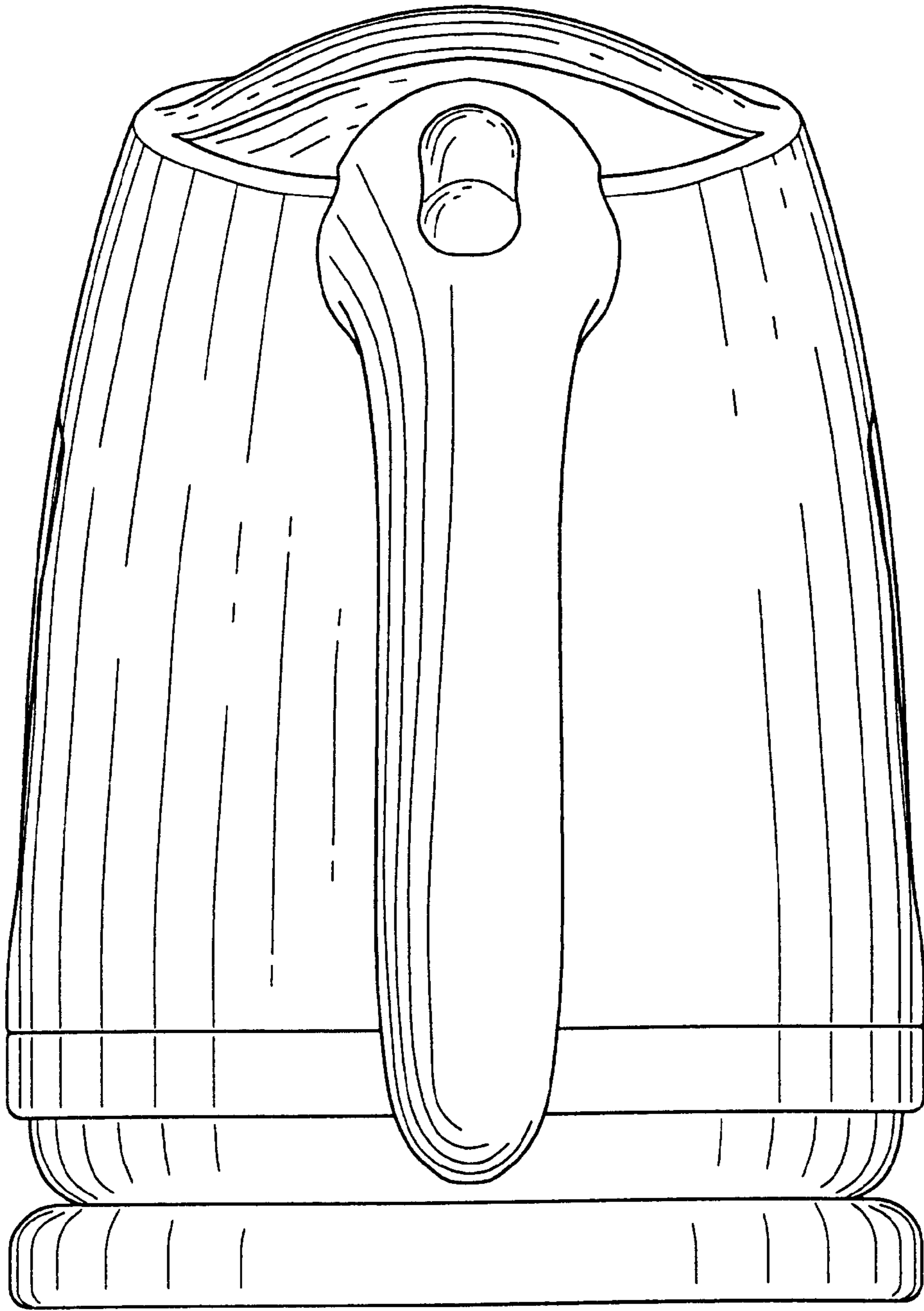


FIG.3

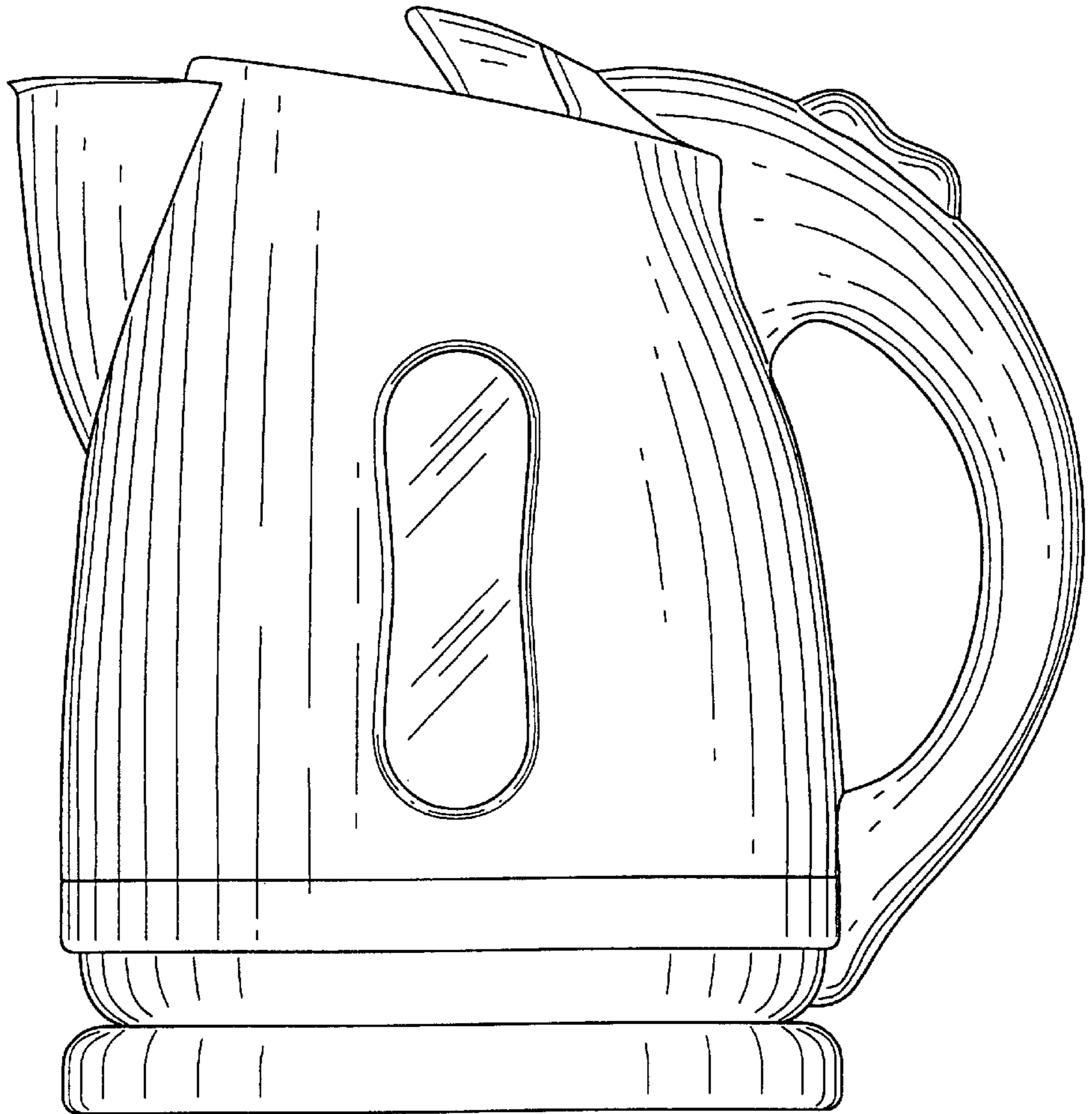


FIG.4

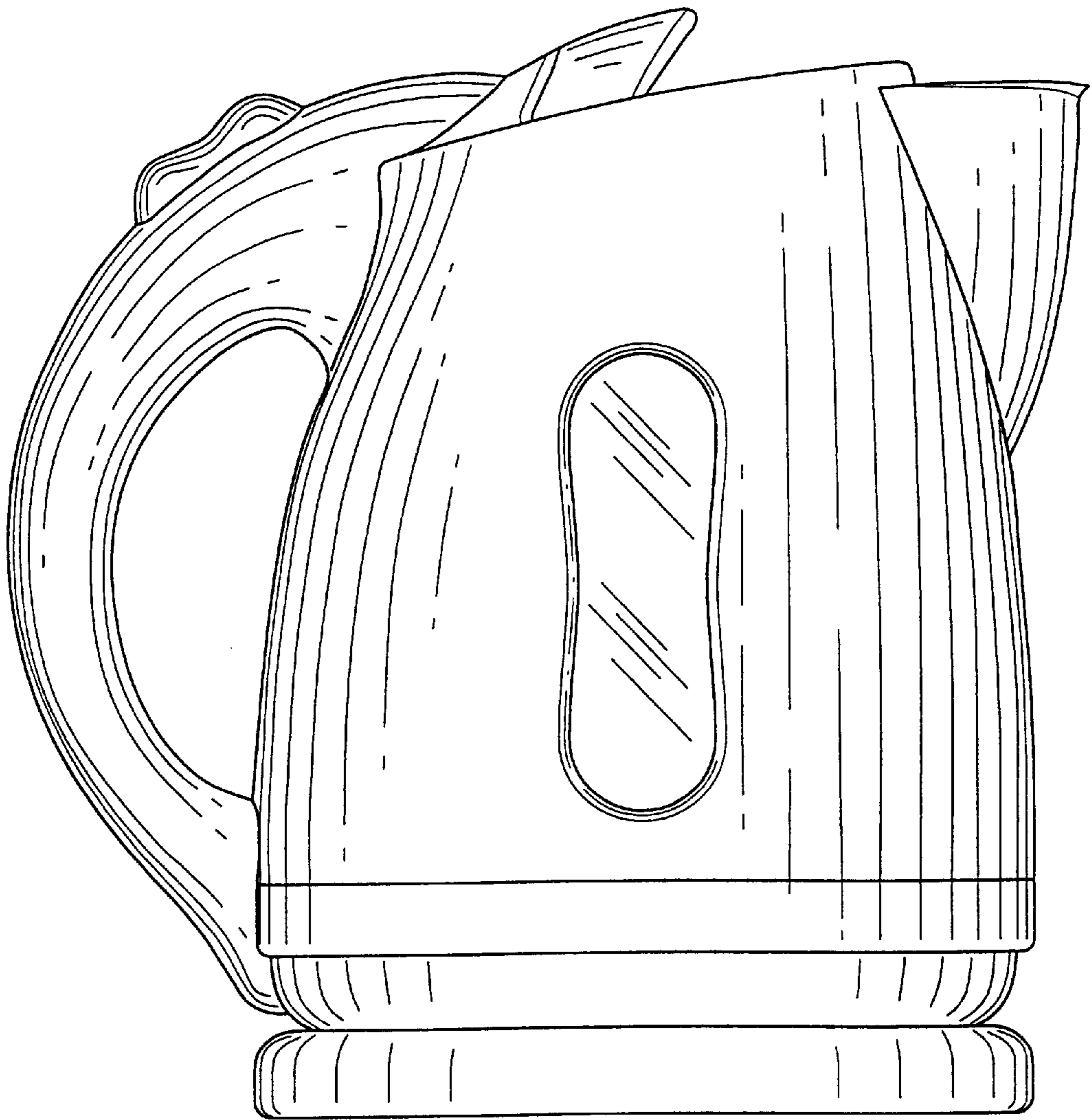


FIG. 5

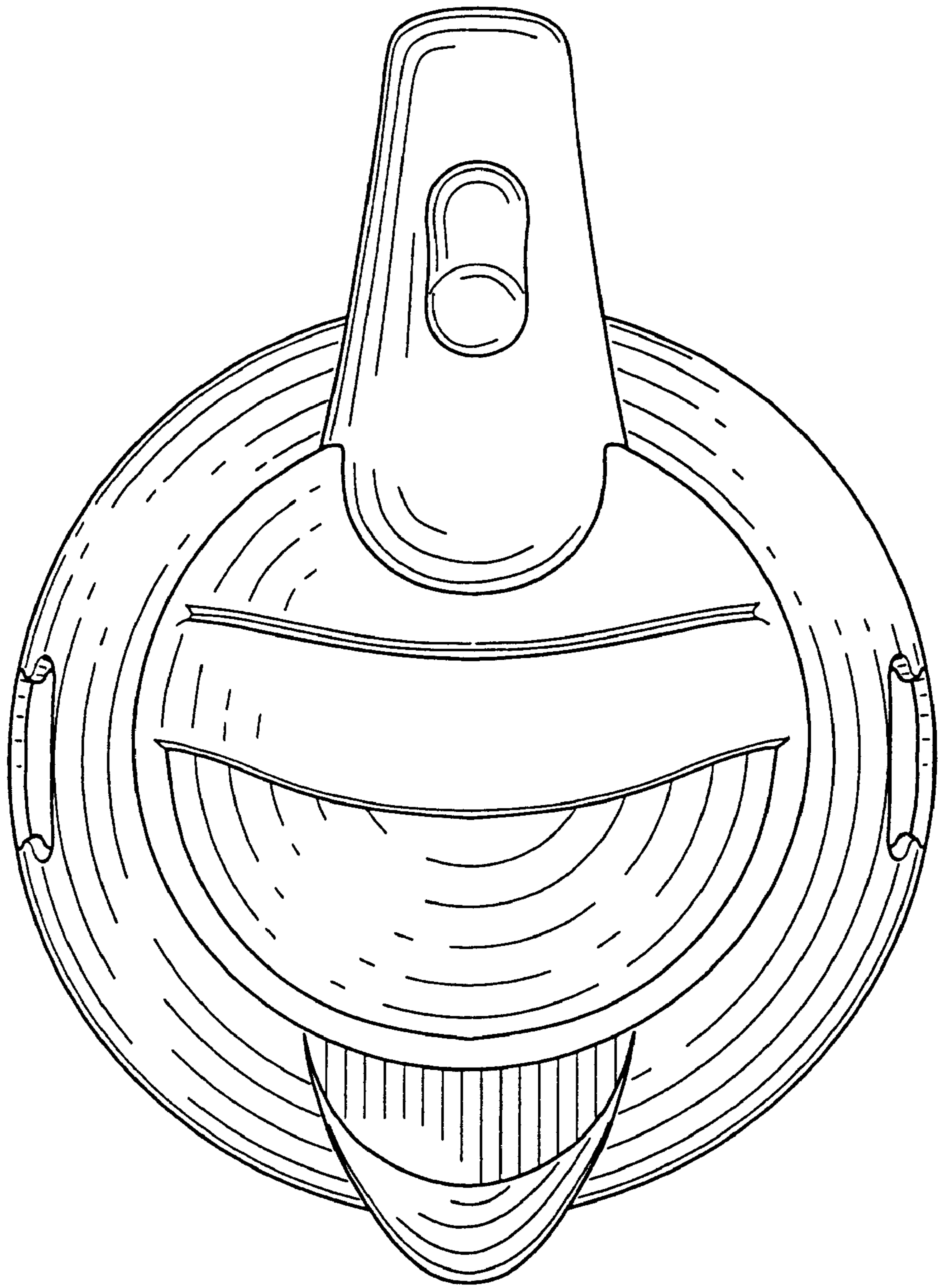


FIG.6

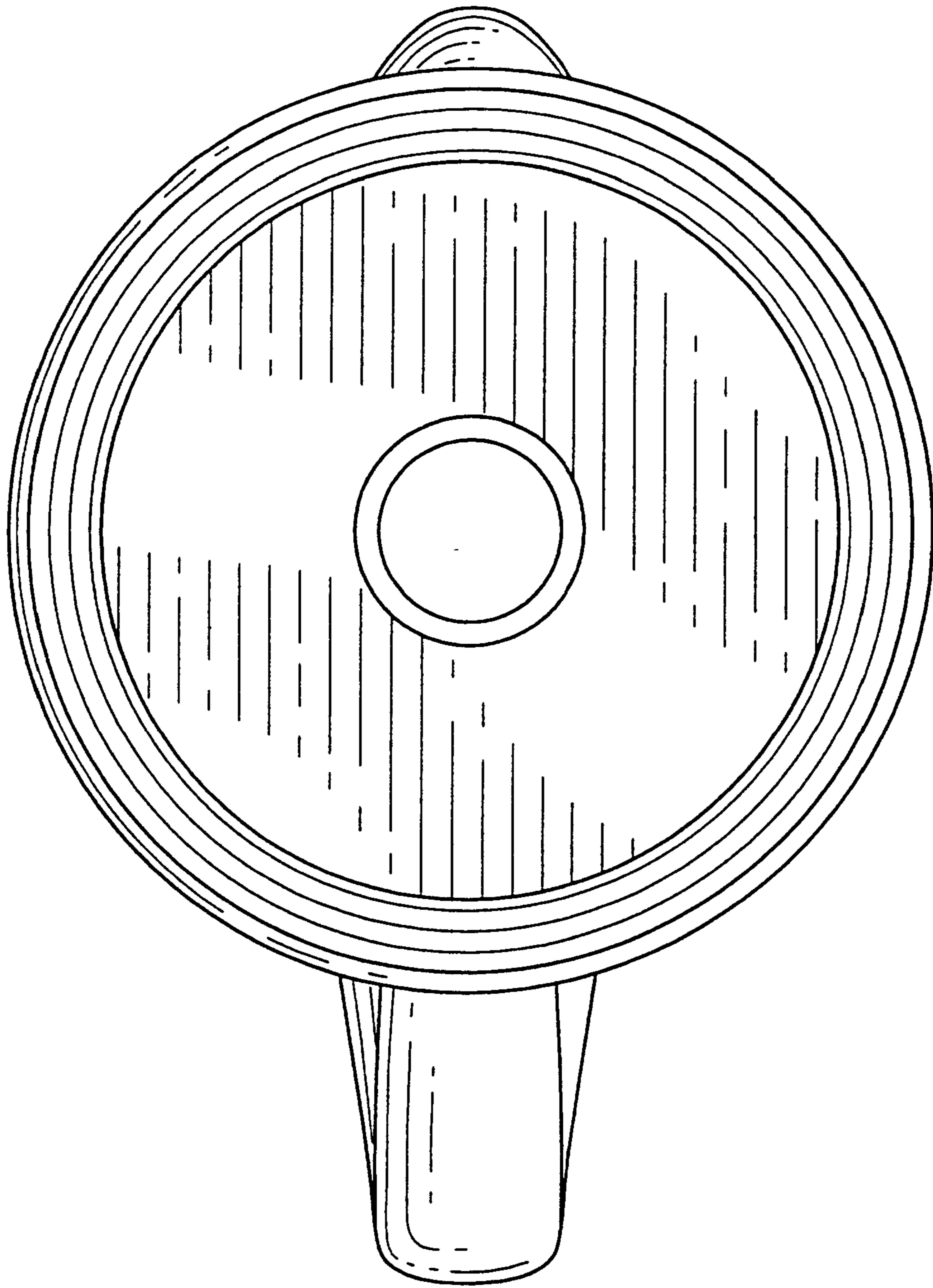


FIG. 7