



US00D439465S

(12) **United States Design Patent**  
**Mok**

(10) **Patent No.:** **US D439,465 S**

(45) **Date of Patent:** **\*\* Mar. 27, 2001**

(54) **STORAGE RACK**

(75) Inventor: **Sze-Man Mok**, Midlevels (HK)

(73) Assignee: **Sunhing Millennium Limited**,  
Kowloon (HK)

(\*\*) Term: **14 Years**

(21) Appl. No.: **29/109,900**

(22) Filed: **Aug. 25, 1999**

(51) **LOC (7) Cl.** ..... **06-04**

(52) **U.S. Cl.** ..... **D6/630**

(58) **Field of Search** ..... D6/407, 626-630,  
D6/462-468, 410, 411, 567; D19/90, 92;  
312/9.1-9.64; D32/55, 58; 211/40, 41.1,  
41.2, 41.3, 41.4, 42, 41.12, 34, 41.18, 37;  
206/307.1, 307, 308.1, 445, 387.15, 454,  
387.1, 182, 189

(56) **References Cited**

**U.S. PATENT DOCUMENTS**

D. 309,998	*	8/1990	Sumrell et al.	.....	D6/567
D. 322,724	*	12/1991	Stravitz	.....	D6/407
D. 325,133	*	4/1992	Stravitz	.....	D6/407
D. 342,171	*	12/1993	McConnell	.....	D6/464
D. 355,795	*	2/1995	Stravitz	.....	D6/465
D. 364,047	*	11/1995	Bucher	.....	D6/407
D. 365,227	*	12/1995	Chambers et al.	.....	D6/465

D. 398,787	*	9/1998	Malik	.....	D6/411
D. 403,880	*	1/1999	Malik	.....	D6/411
D. 424,320	*	5/2000	Klein et al.	.....	D6/411
D. 426,977	*	6/2000	White	.....	D6/407
2,152,192	*	3/1939	Hoffman	.....	211/34
4,896,778	*	1/1990	Ferdinand et al.	.....	211/175
5,035,332	*	7/1991	Stravitz	.....	211/40
5,415,297	*	5/1995	Klein et al.	.....	211/40

\* cited by examiner

*Primary Examiner*—Jeffrey Asch

(74) *Attorney, Agent, or Firm*—Eric Bleich

(57) **CLAIM**

I claim the ornamental design for a storage rack, as shown and described.

**DESCRIPTION**

FIG. 1 is a front plan view of the new ornamental storage rack of the present invention.

FIG. 2 is a rear plan view thereof.

FIG. 3 is a right side view thereof.

FIG. 4 is a left side view thereof.

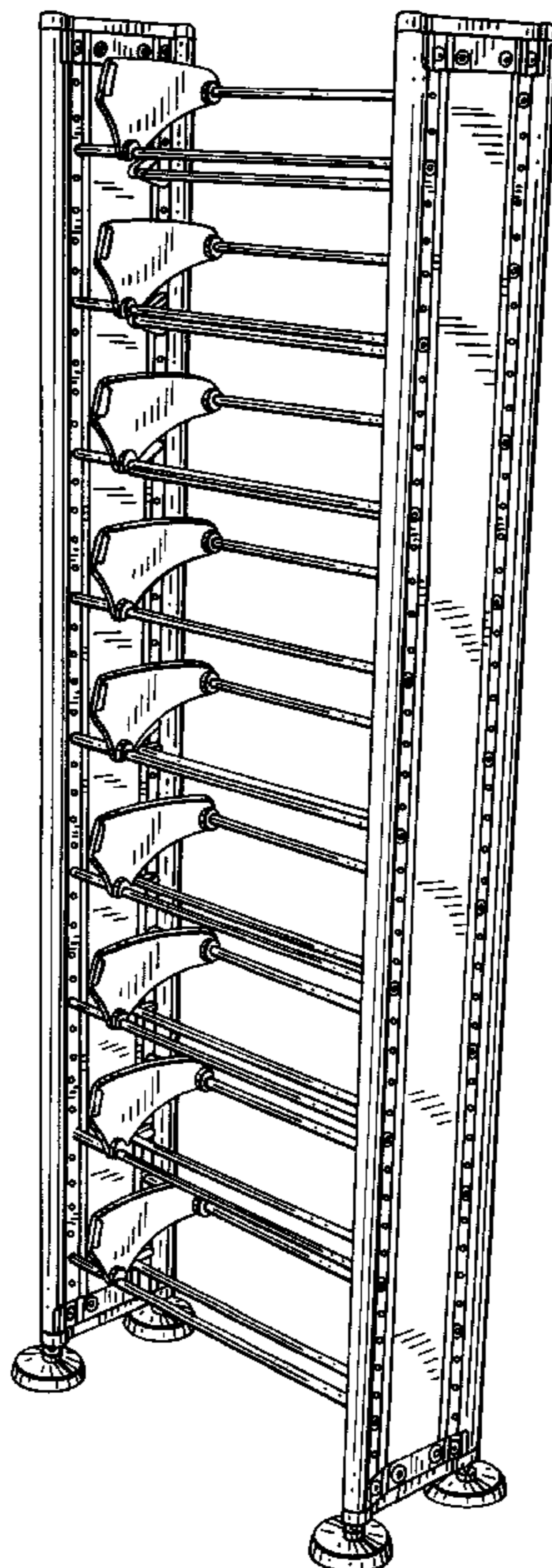
FIG. 5 is a top plan view thereof.

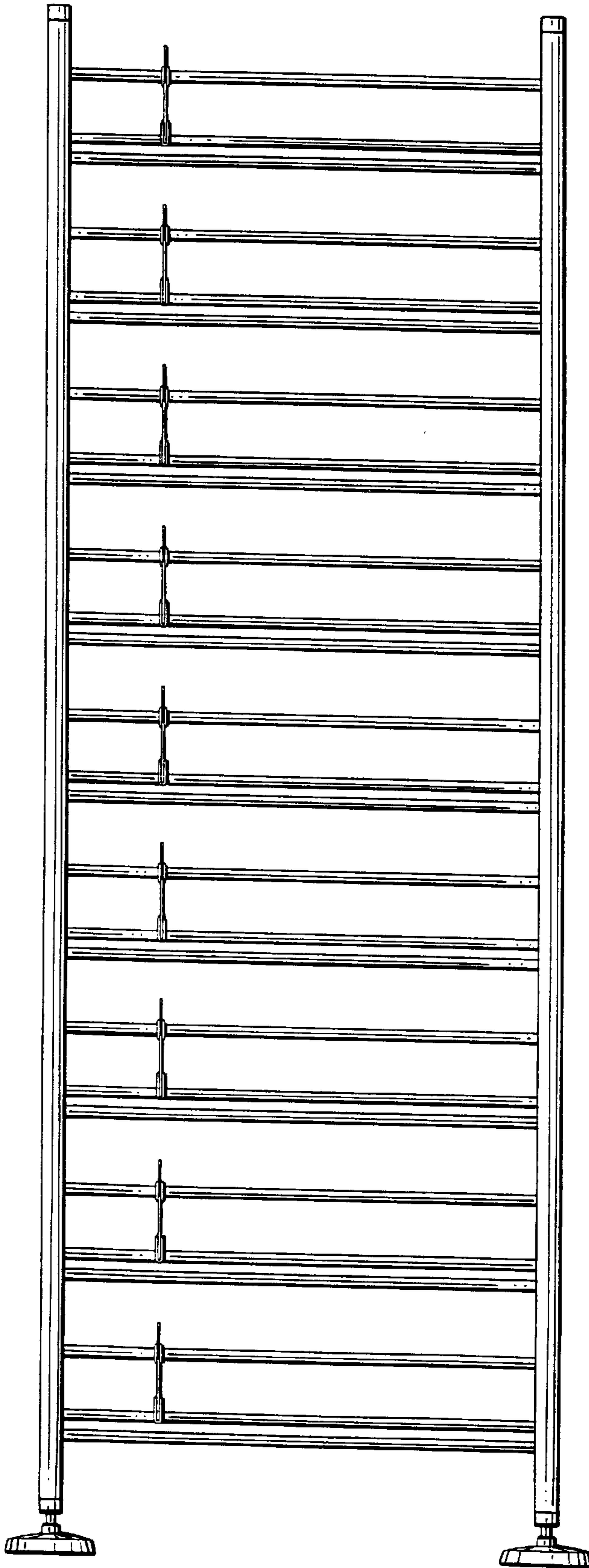
FIG. 6 is a bottom plan view thereof; and,

FIG. 7 is a front perspective view thereof.

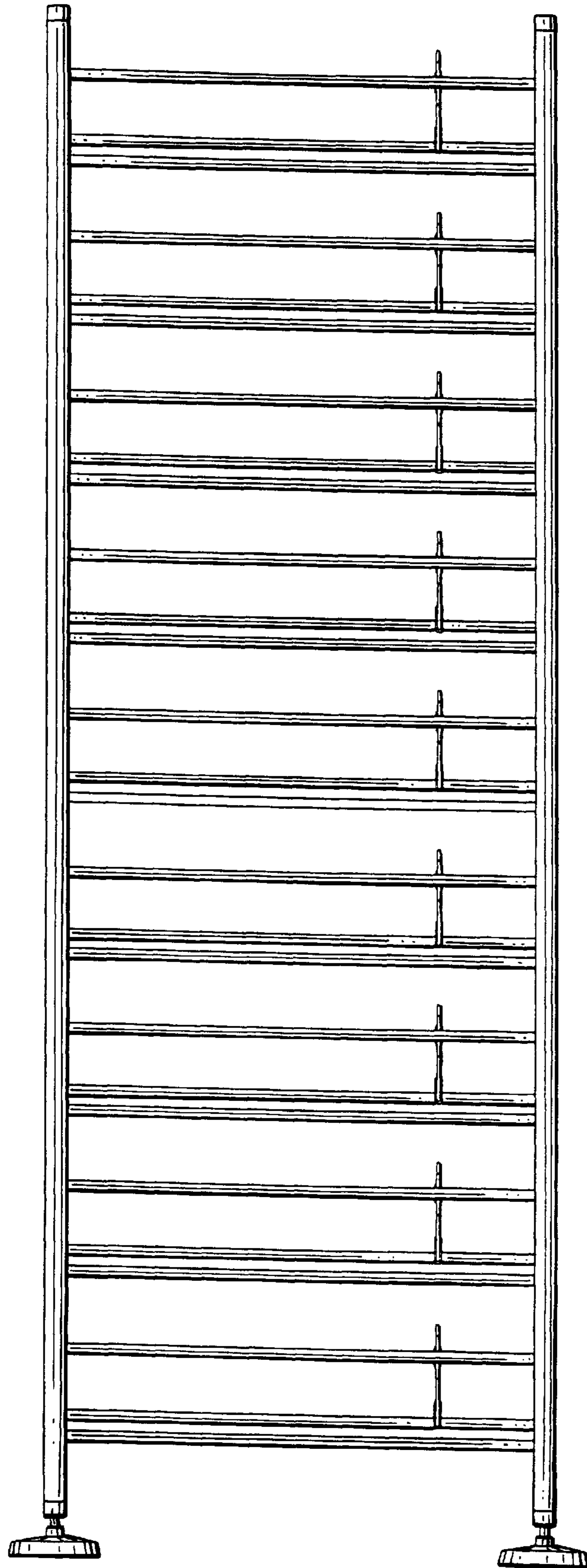
The surface(s) or portion(s) of the article not shown in the drawing or described in the specification form(s) no part of the claimed design.

**1 Claim, 7 Drawing Sheets**

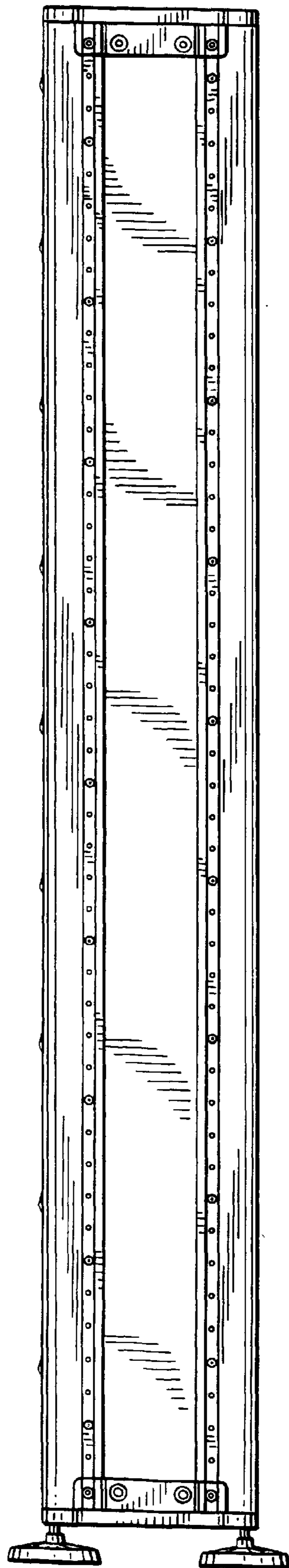




*FIG. 1*



*FIG. 2*



*FIG. 3*

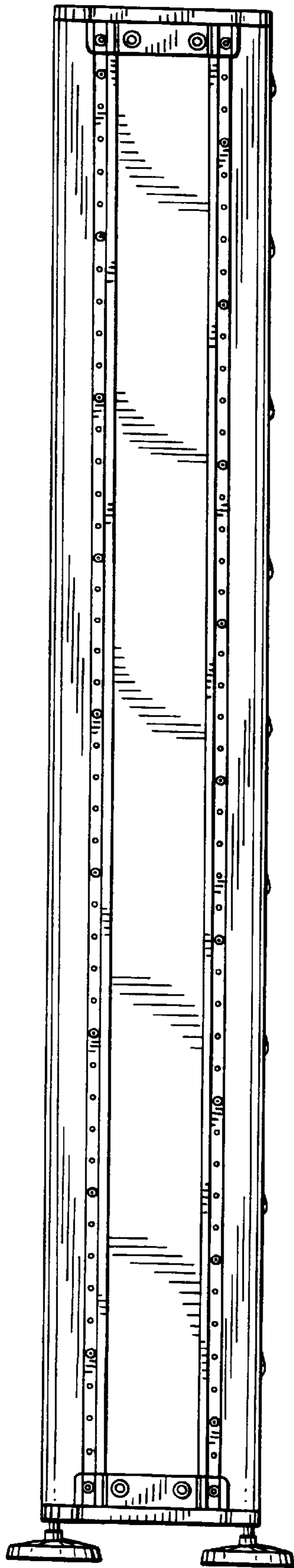
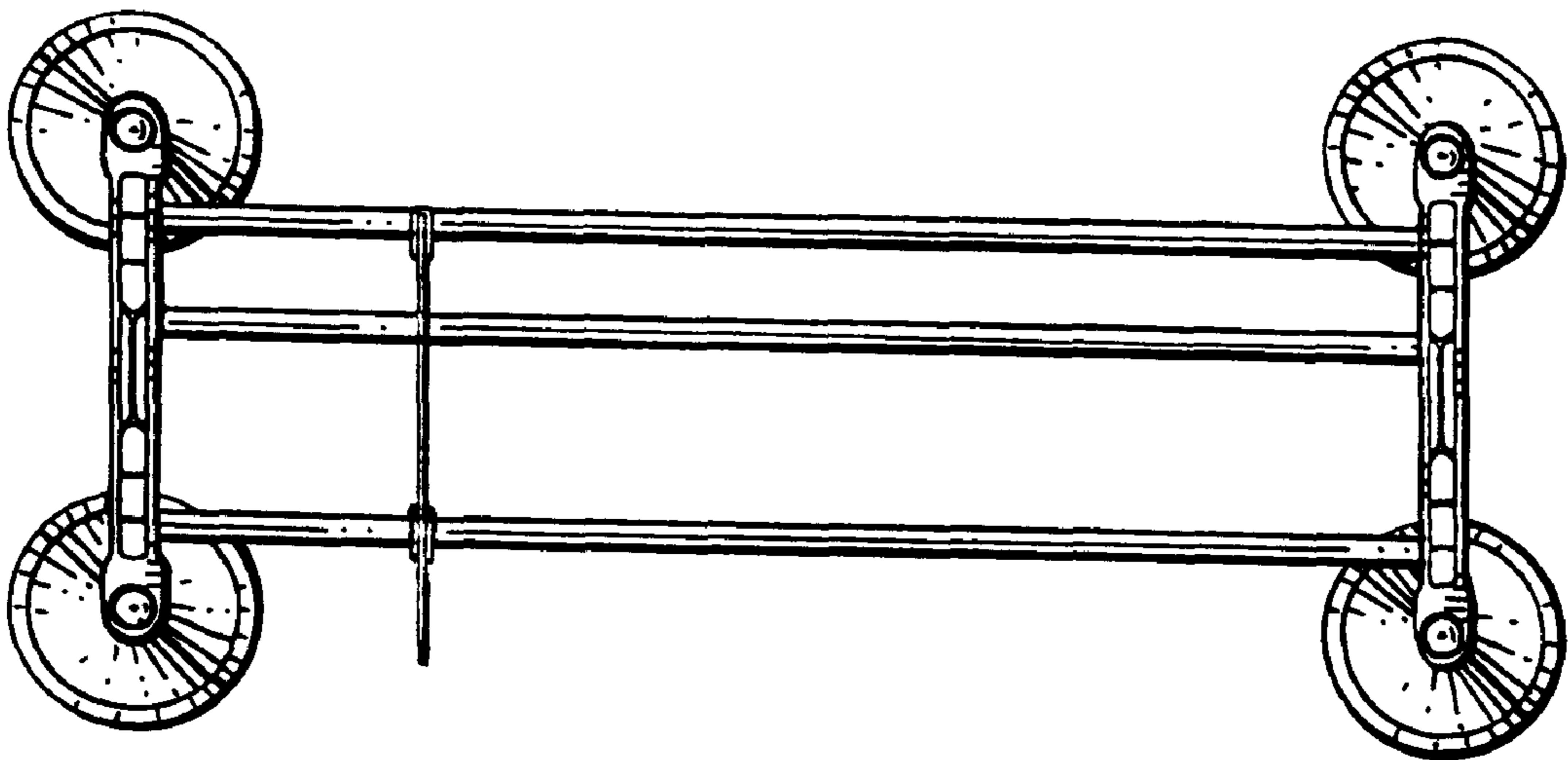
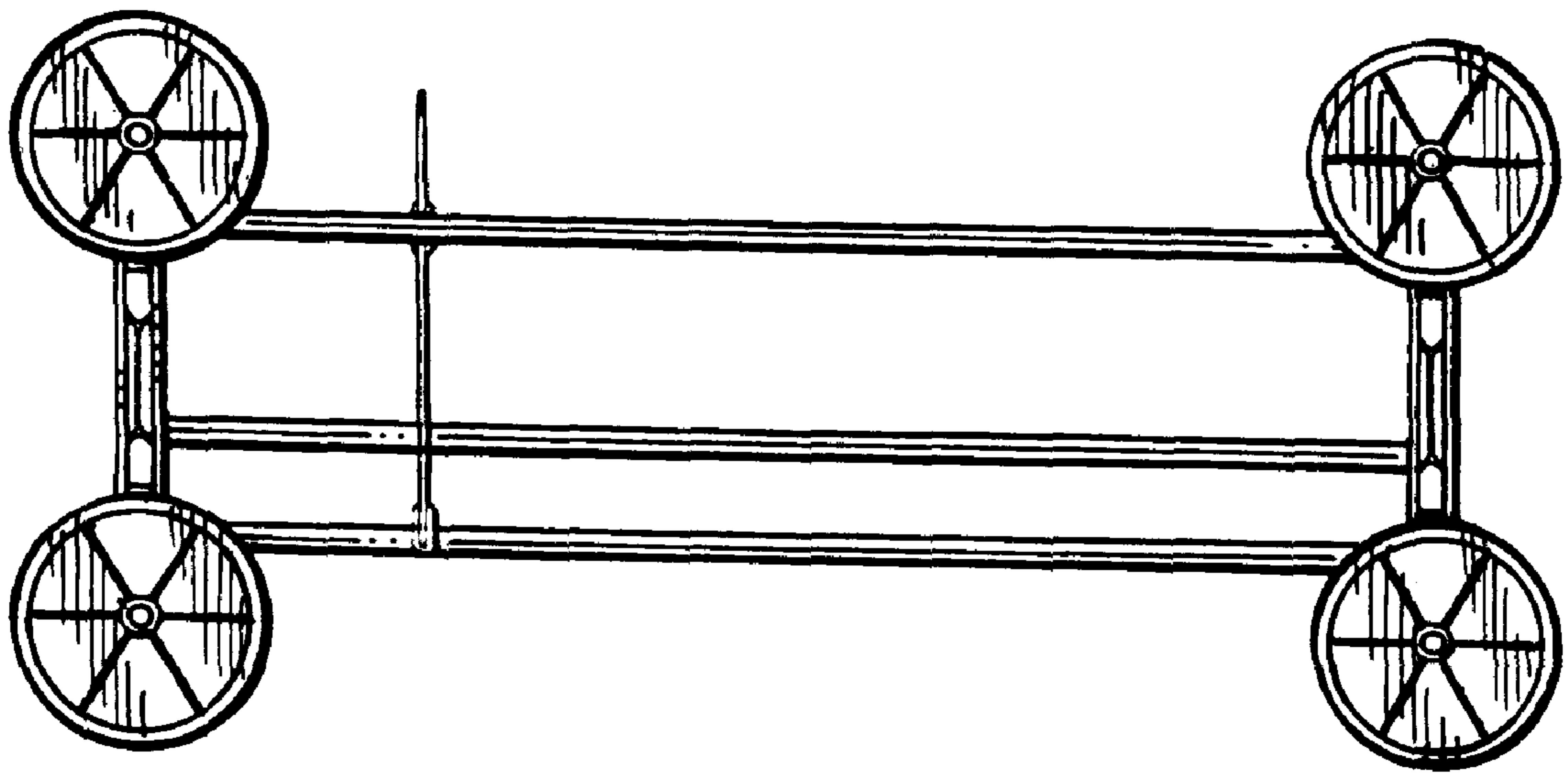


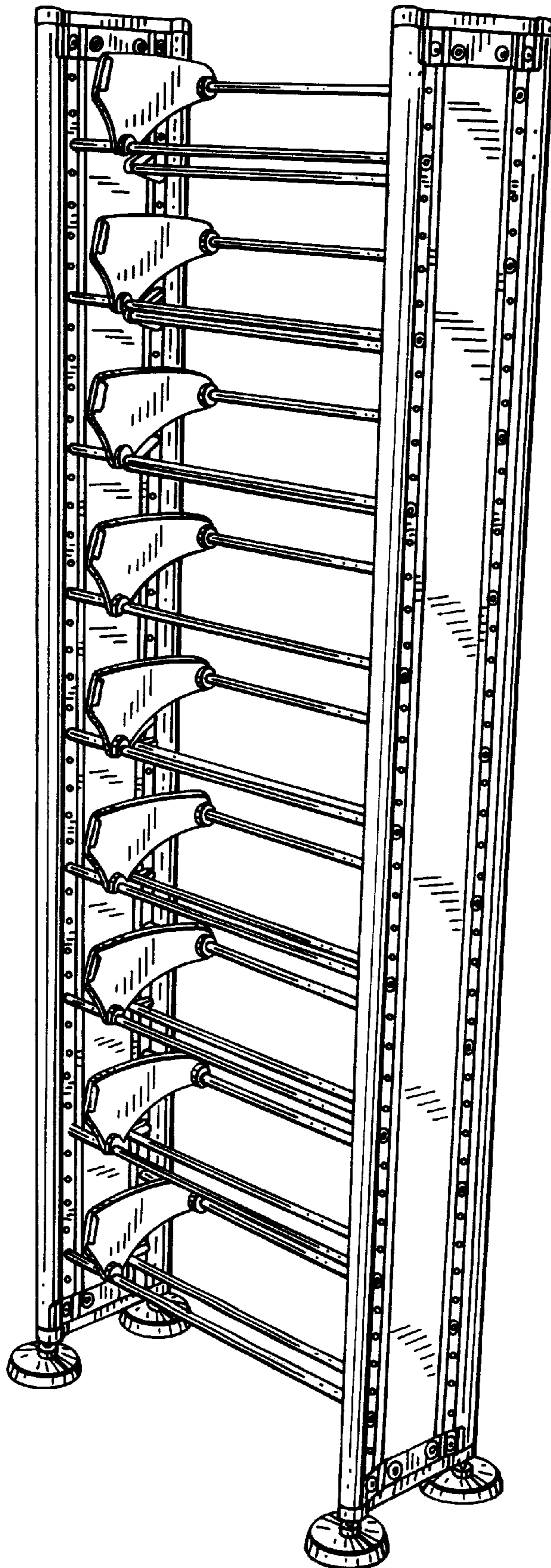
FIG. 4

*FIG. 5*





*FIG. 6*



*FIG. 7*