



US00D439463S

(12) **United States Design Patent**  
**Bare**

(10) **Patent No.:** **US D439,463 S**

(45) **Date of Patent:** **\*\* Mar. 27, 2001**

(54) **ANCHORED BEACH BLANKET ASSEMBLY**

5,361,435 \* 11/1994 Reeves ..... 5/419

(76) Inventor: **Dawn Law Bare**, 5057 Escobedo Dr.,  
Woodland Hills, CA (US) 91364

\* cited by examiner

(\*\*) Term: **14 Years**

*Primary Examiner*—Janice E. Seeger

(74) *Attorney, Agent, or Firm*—Norton R. Townsley

(21) Appl. No.: **29/125,090**

(22) Filed: **Jun. 16, 2000**

(57) **CLAIM**

The ornamental design for the anchored beach blanket assembly, as shown and described.

(51) **LOC (7) Cl.** ..... **06-09**

(52) **U.S. Cl.** ..... **D6/595; D6/603**

(58) **Field of Search** ..... D6/595, 596, 601,  
D6/608, 603; 5/630, 633, 636, 646, 652-655,  
656, 417-420

**DESCRIPTION**

FIG. 1 is a perspective view of my anchored beach blanket assembly, fully deployed, in solid lines with the broken lines showing environmental matter for illustrative purposes only and forming no part of my claimed design;

FIG. 2 is a top plan view thereof;

FIG. 3 is an elevational view thereof as seen from the right;

FIG. 4 is an elevational view thereof as seen from the right;

FIG. 5 is an elevational view as seen from the rear;

FIG. 6 is an elevational view as seen from the front;

FIG. 7 is an exploded view thereof; and,

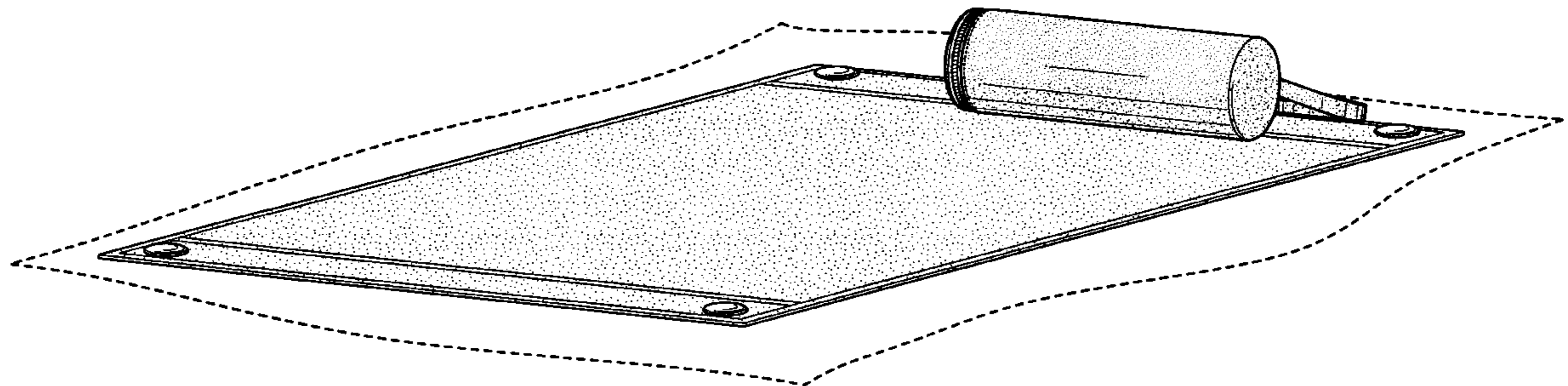
FIG. 8 is an exploded view of my anchored beach blanket assembly, disassembled and in storage mode.

(56) **References Cited**

**U.S. PATENT DOCUMENTS**

- D. 318,772 \* 8/1991 Phillips ..... D6/595
- D. 336,199 \* 6/1993 Bazata, Jr. .... D6/596
- D. 391,109 \* 2/1998 Miller ..... D6/596
- D. 392,146 \* 3/1998 Gregg ..... D6/608
- 3,237,904 \* 3/1966 Abruzese ..... 5/417

**1 Claim, 6 Drawing Sheets**



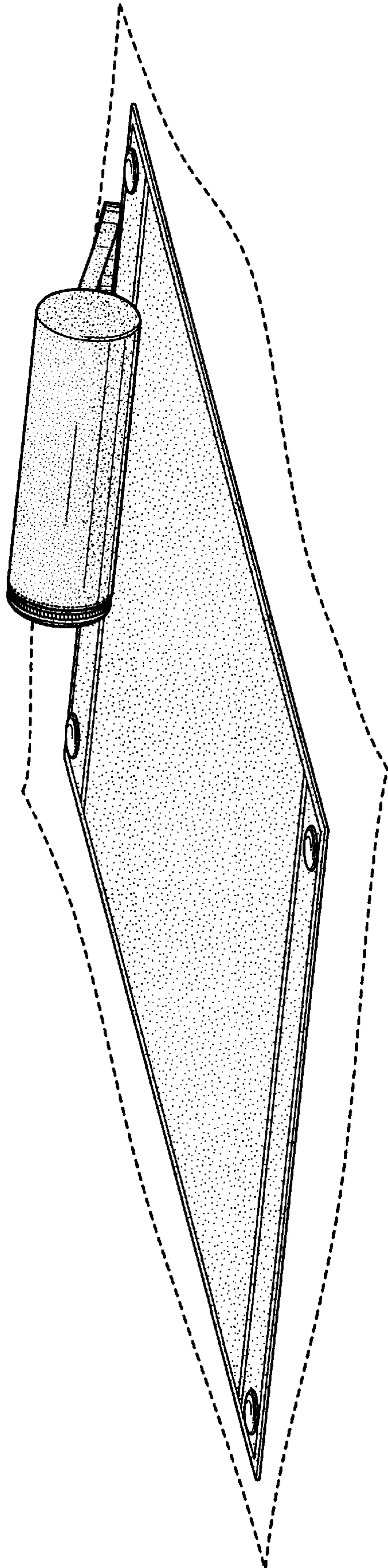


FIG. 1

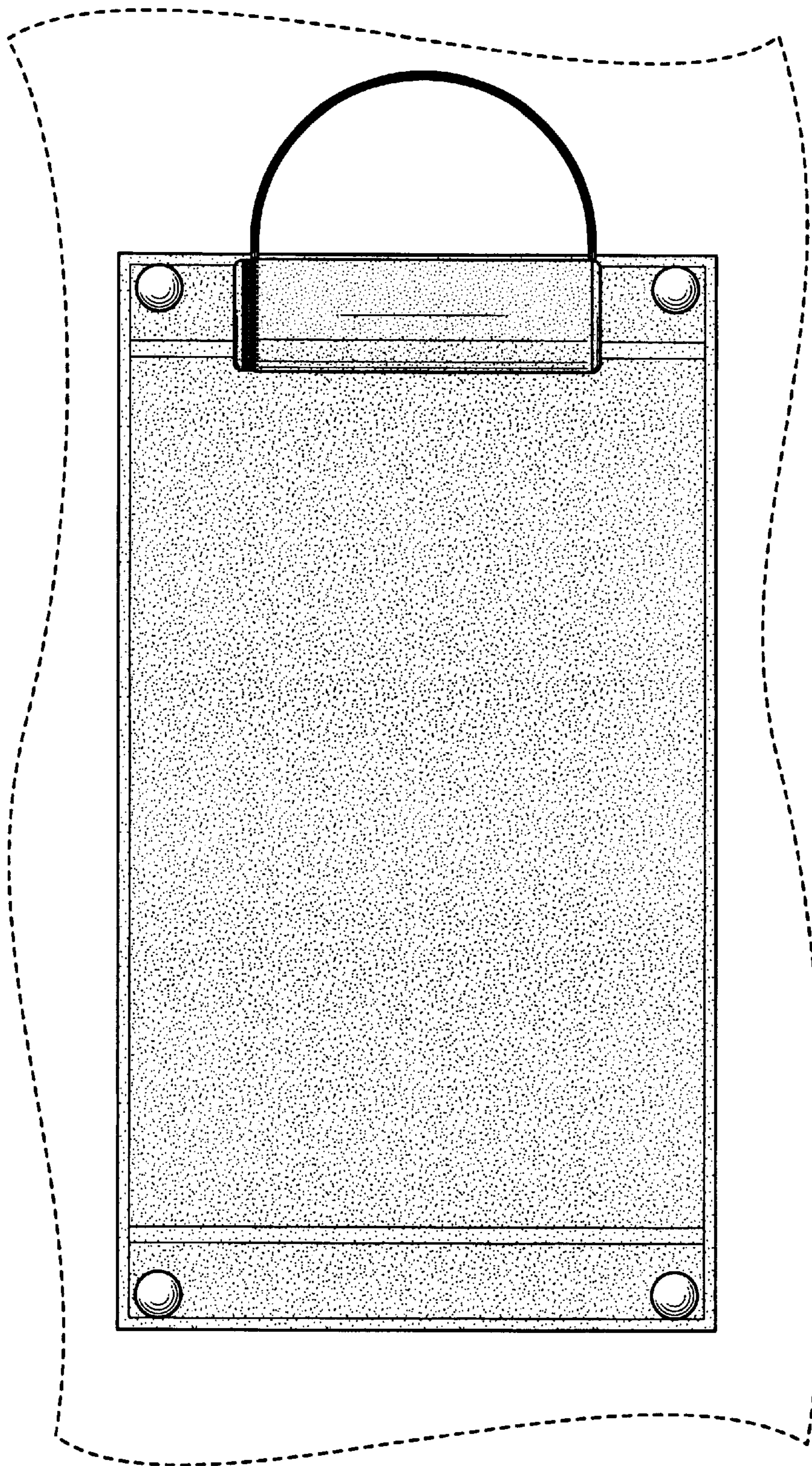


FIG. 2

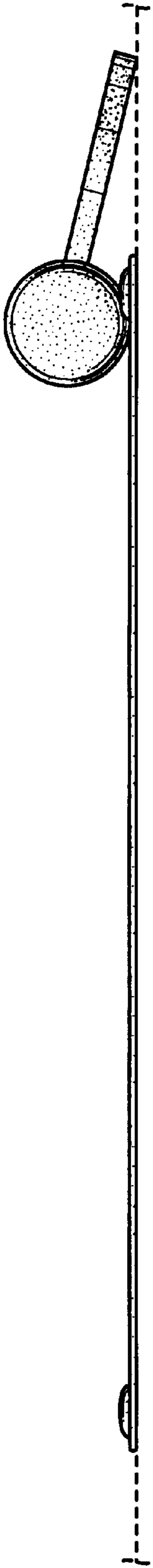


FIG. 3

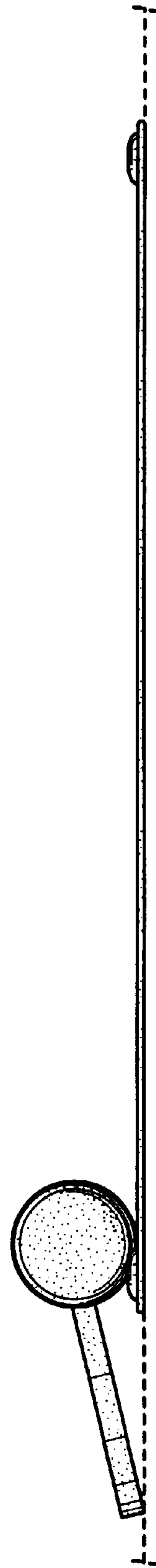


FIG. 4

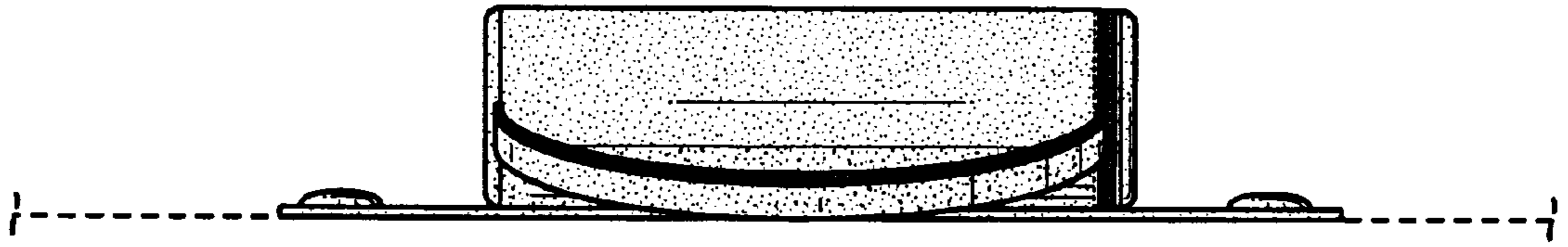


FIG. 5

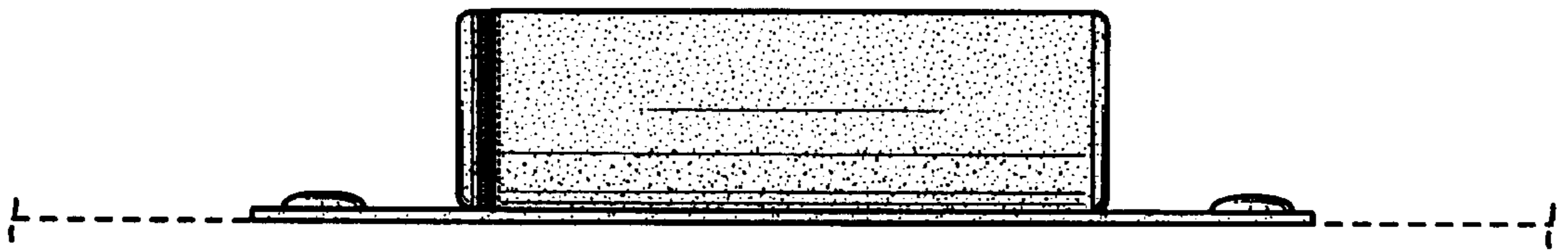


FIG. 6

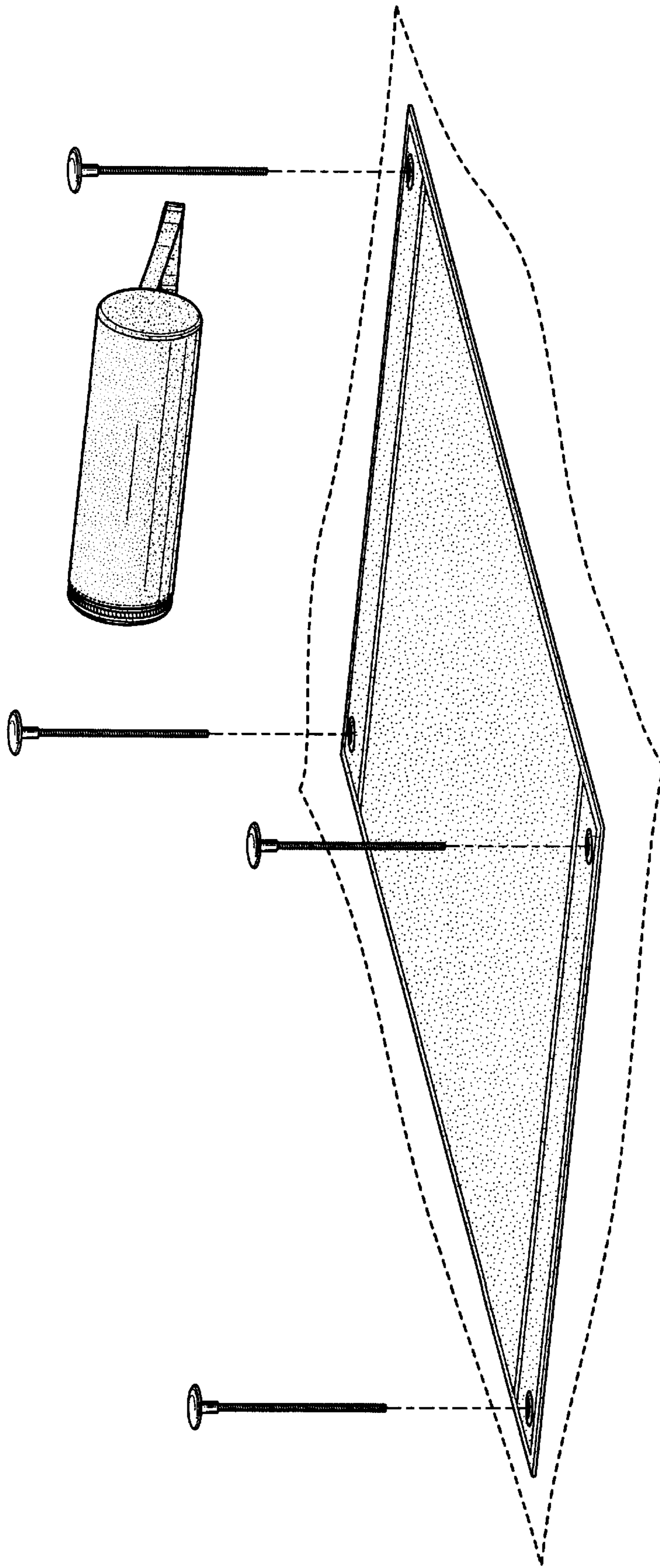


FIG. 7

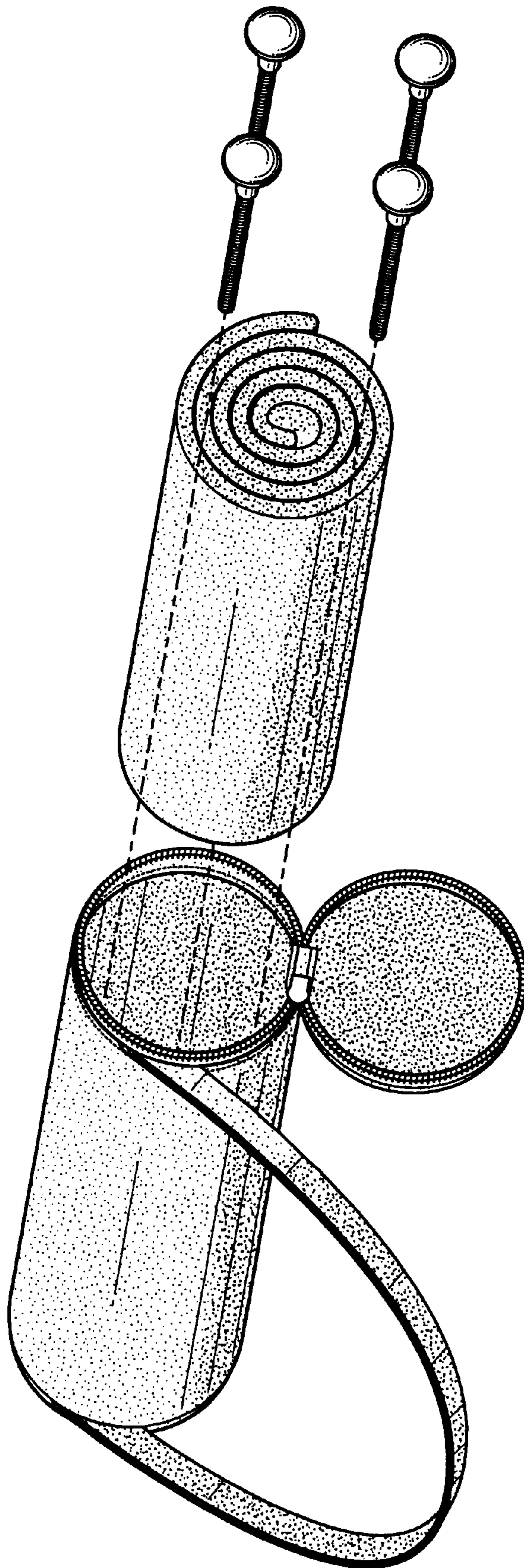


FIG. 8