



US00D439462S

(12) **United States Design Patent**  
**Callas**

(10) **Patent No.:** **US D439,462 S**

(45) **Date of Patent:** **\*\* \*Mar. 27, 2001**

(54) **FLOOR MAT BORDER**

(76) **Inventor:** **Michael T. Callas**, 120 Gideons Point Rd., Tonka Bay, MN (US) 55439

(\* ) **Notice:** This patent is subject to a terminal disclaimer.

(\*\*) **Term:** **14 Years**

(21) **Appl. No.:** **29/088,653**

(22) **Filed:** **May 29, 1998**

3,435,481	4/1969	Kessler .	
4,054,698	10/1977	Hamrah .	
4,187,656	* 2/1980	Lutz .....	16/7
4,353,944	10/1982	Tarui .	
4,654,245	3/1987	Balzer et al. .	
4,877,672	10/1989	Shreiner .	
5,018,235	5/1991	Stamatiou et al. .	
5,114,774	5/1992	Maxim, Jr. .	
5,142,733	9/1992	Mogel et al. .	
5,157,804	10/1992	Williams .	
5,683,780	* 11/1997	Rodger et al. ....	428/95
6,093,469	* 7/2000	Callas .....	428/95

**Related U.S. Application Data**

(63) Continuation-in-part of application No. 29/060,140, filed on Sep. 23, 1996, now Pat. No. Des. 394,776.

(51) **LOC (7) Cl.** ..... **06-11**

(52) **U.S. Cl.** ..... **D6/587**

(58) **Field of Search** ..... D6/582-594; D25/119; 428/82-83, 88, 95, 122, 167; 15/215-217, 238; 16/4, 7-9, 16; 4/581-583; 5/417

(56) **References Cited**

**U.S. PATENT DOCUMENTS**

D. 38,095	*	6/1906	Knapp .....	D6/587
D. 40,863	*	9/1910	Oakley .....	D6/587
D. 267,535		1/1983	Yamazaki et al. .	
D. 273,649	*	5/1984	Spamer .....	D6/509
D. 299,171		12/1988	Allen, Jr. .	
D. 324,575	*	3/1992	Davis .....	D25/119
D. 394,776		6/1998	Callas .	
2,258,314		5/1941	Bonnell .	
2,496,910	*	2/1950	Fridolph .....	16/7
2,644,977	*	7/1953	June .....	16/7
2,770,002	*	11/1956	Thompson .....	16/7
3,234,577		2/1966	Mann, Jr. .	
3,238,554		3/1966	Mann, Jr. .	
3,435,480		4/1969	Mann, Jr. .	

**FOREIGN PATENT DOCUMENTS**

1375276 11/1972 (GB) .

\* cited by examiner

*Primary Examiner*—Ted Shooman  
*Assistant Examiner*—Carol Rademaker

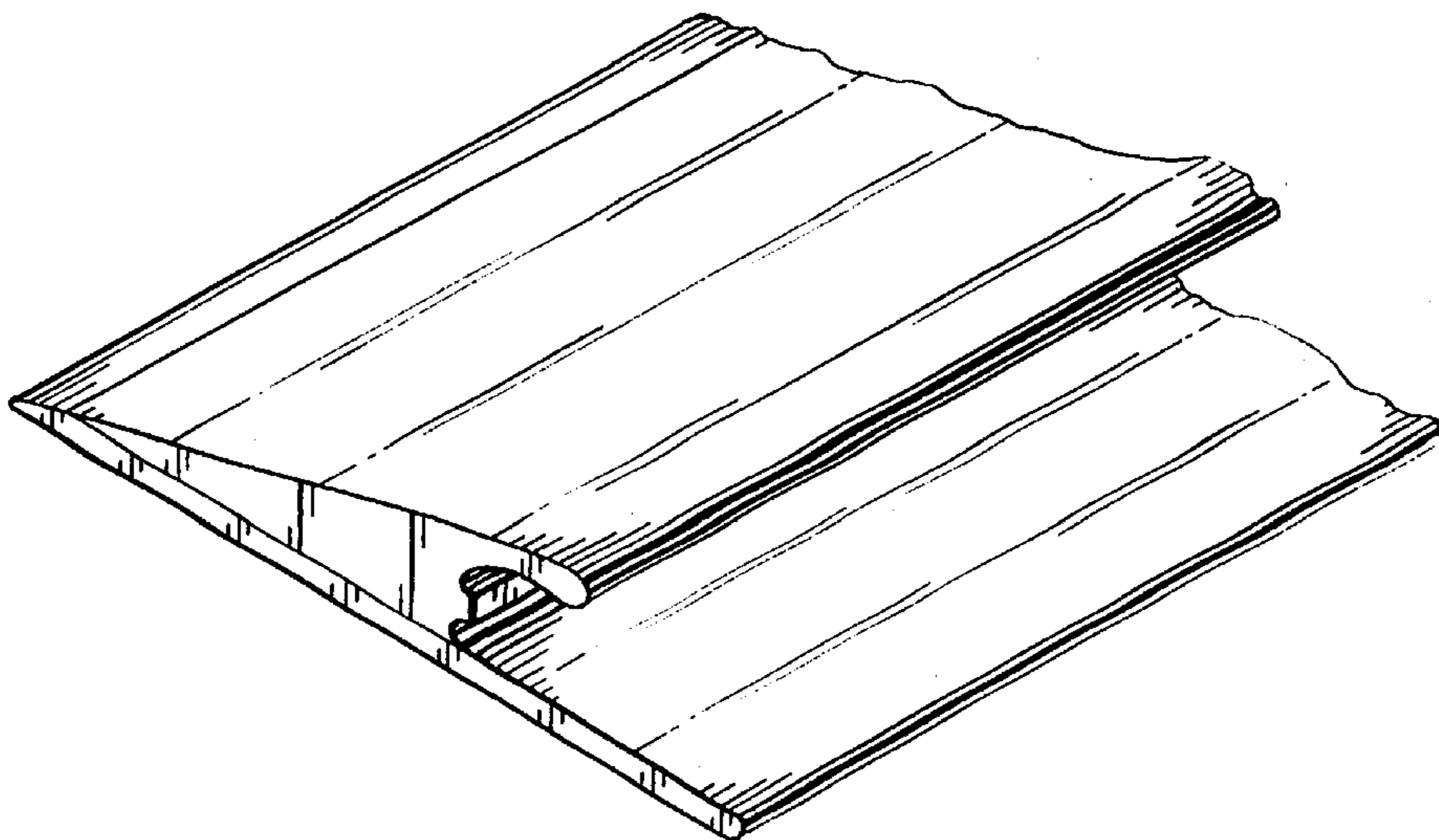
(57) **CLAIM**

The ornamental design for a floor mat border, as shown and described.

**DESCRIPTION**

FIG. 1 is a perspective view of the floor mat border of my design, shown broken away at one end to indicate indeterminate length, it being understood that the contours repeat uniformly along its length;  
FIG. 2 is a top plan view thereof, shown broken away in the middle to indicate indeterminate length;  
FIG. 3 is a front elevational view of FIG. 2;  
FIG. 4 is a bottom plan view of FIG. 2;  
FIG. 5 is a rear elevational view of FIG. 2;  
FIG. 6 is an end elevational view of FIG. 2, the opposite end being a mirror image thereof; and,  
FIG. 7 is a sectional view taken along line 7-7 of FIG. 2.

**1 Claim, 2 Drawing Sheets**



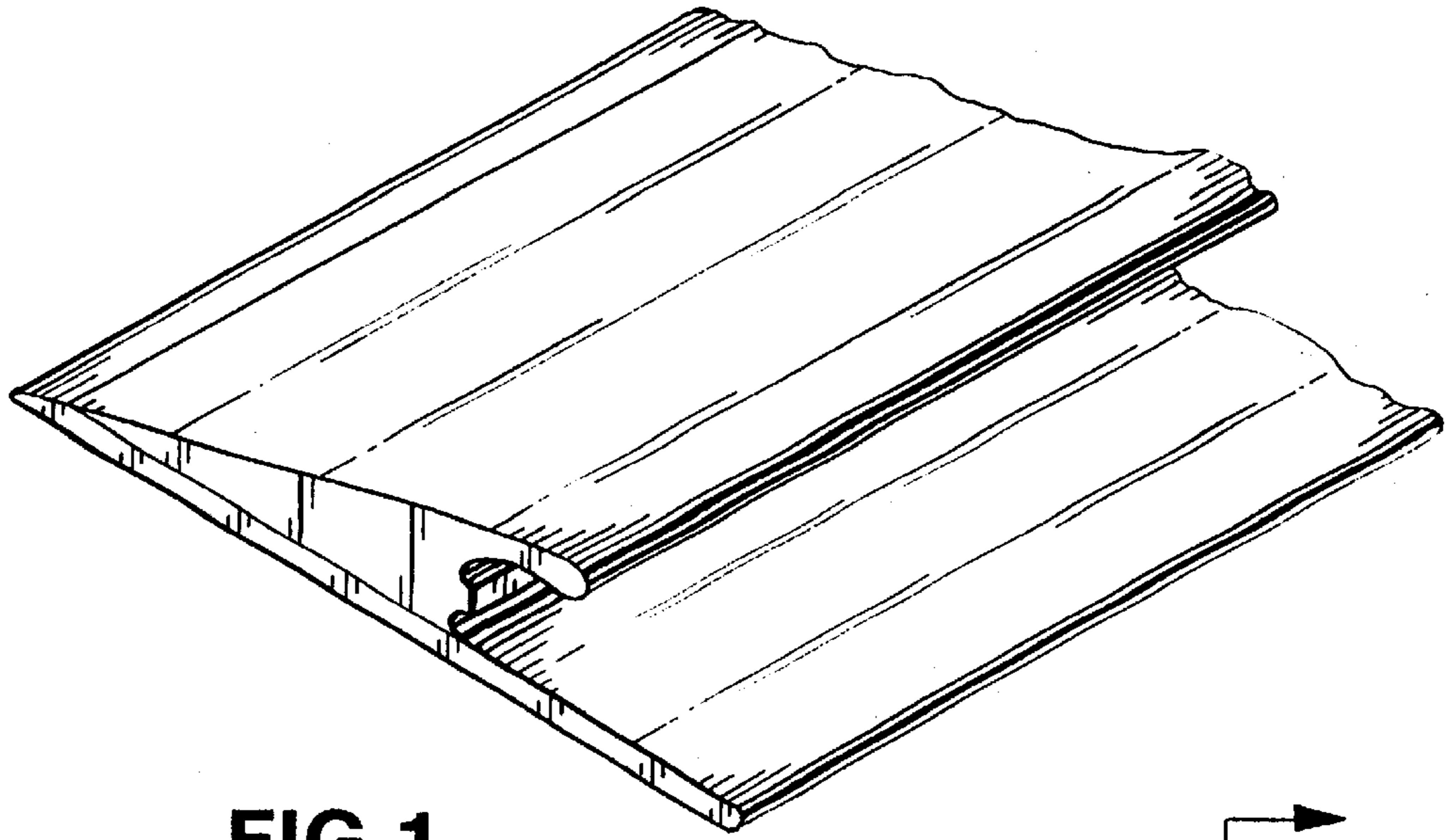


FIG. 1

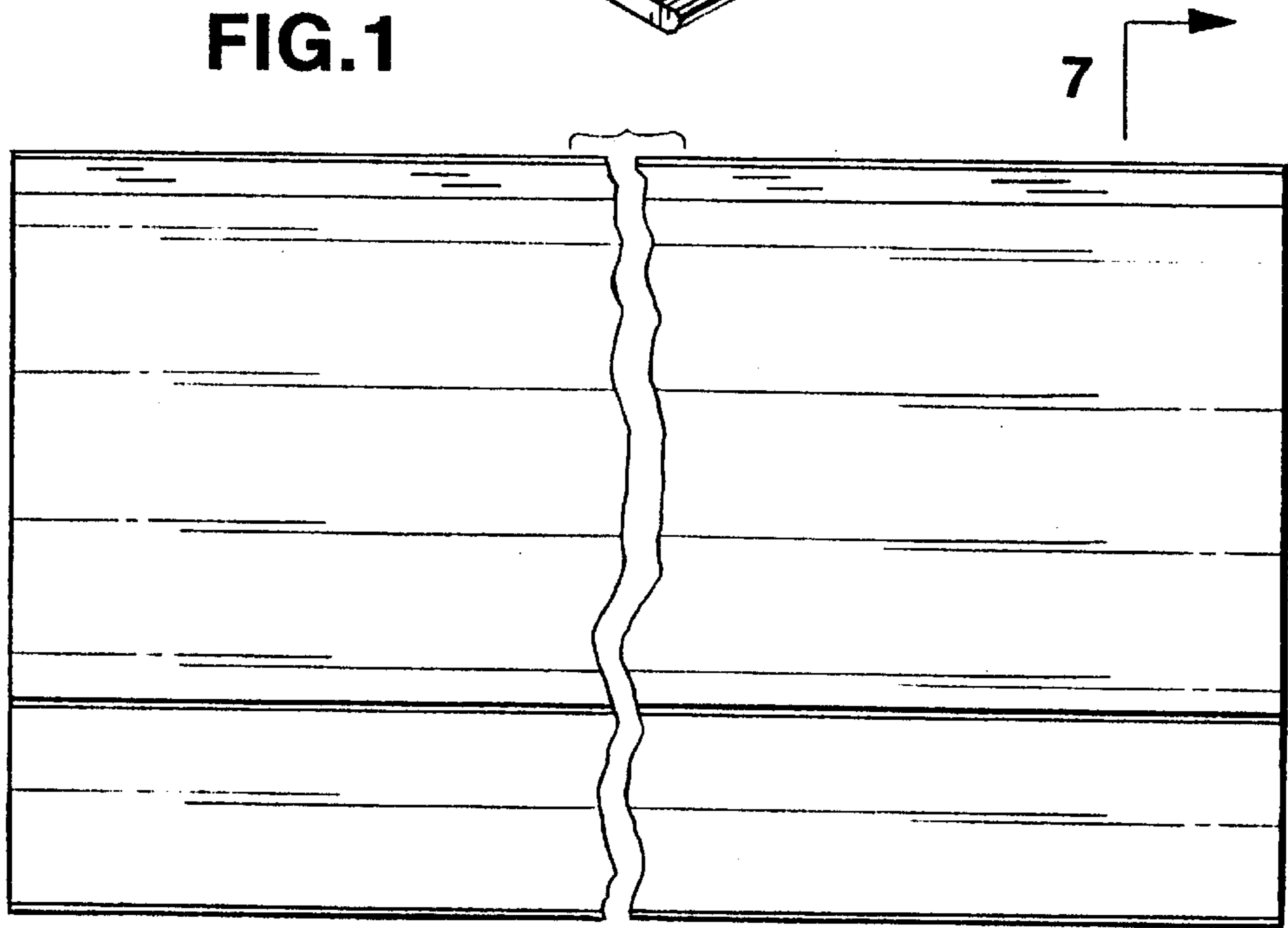


FIG. 2

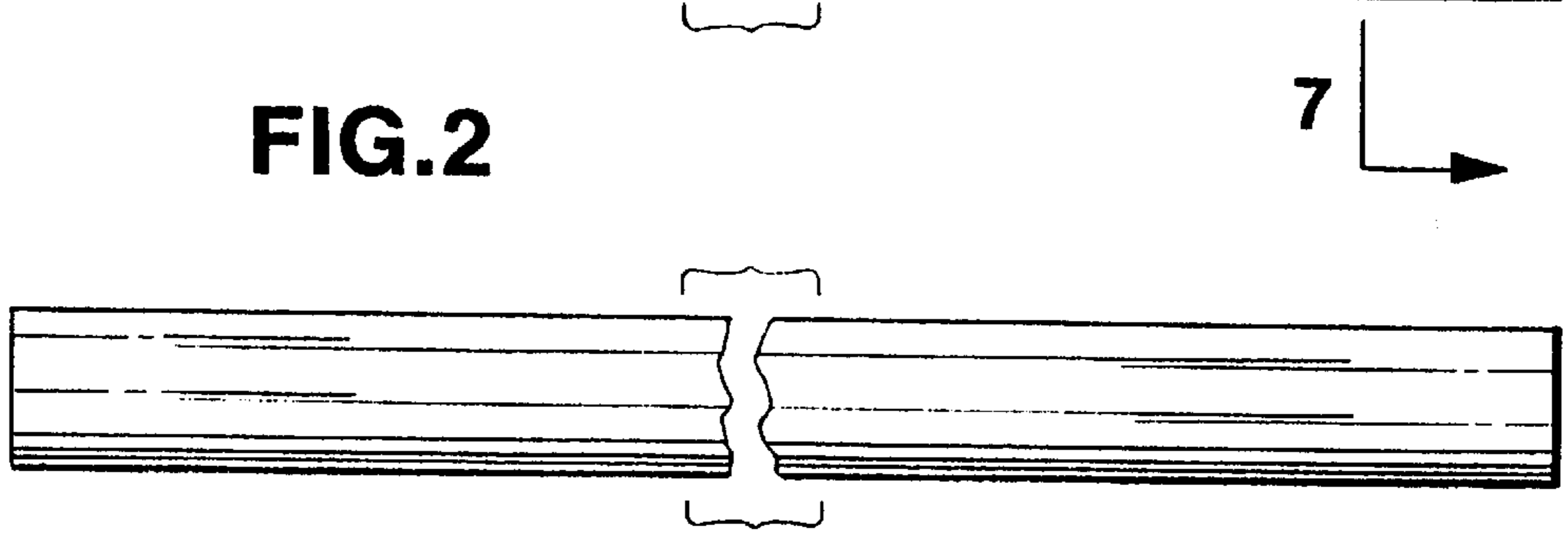
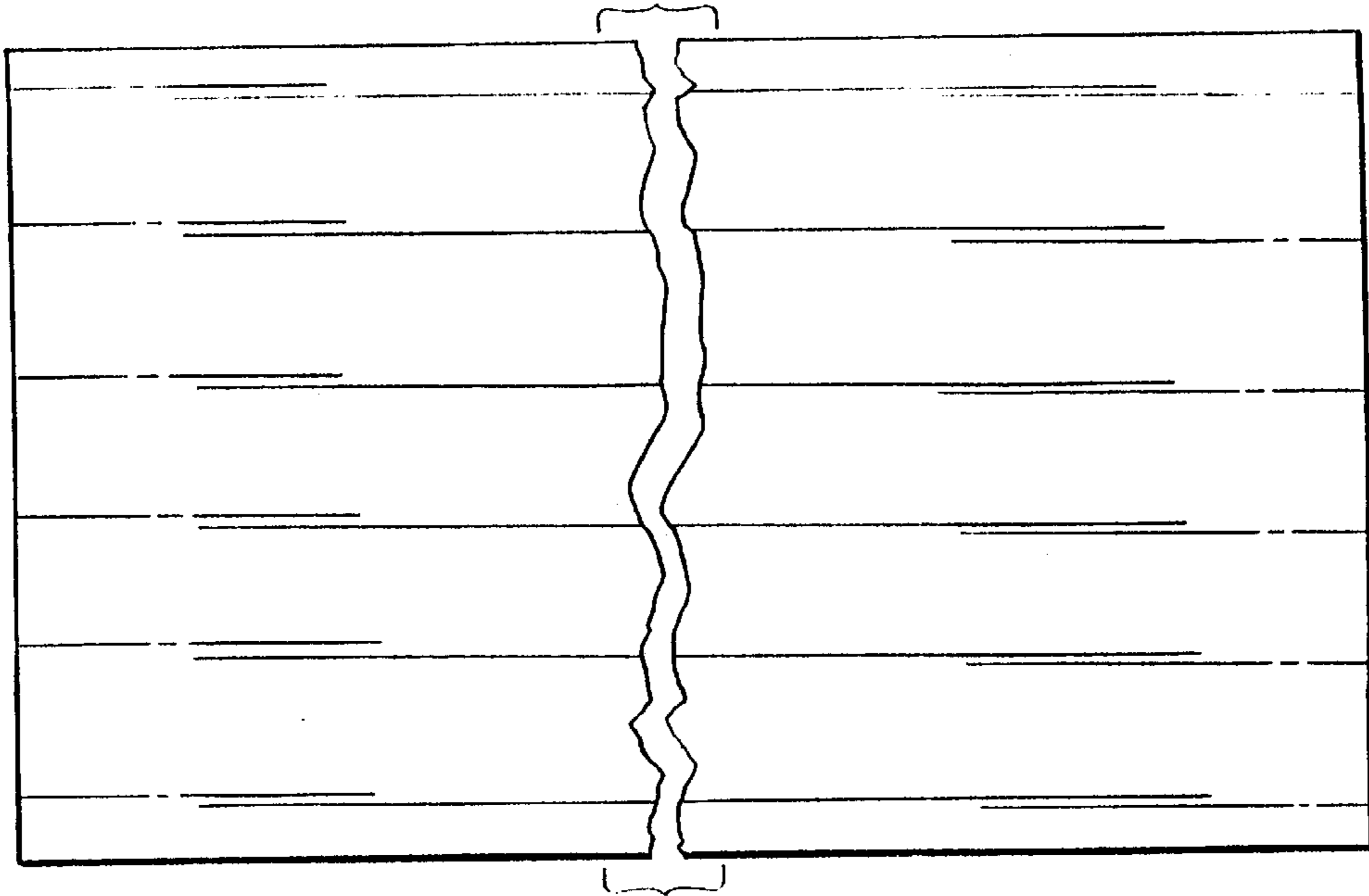
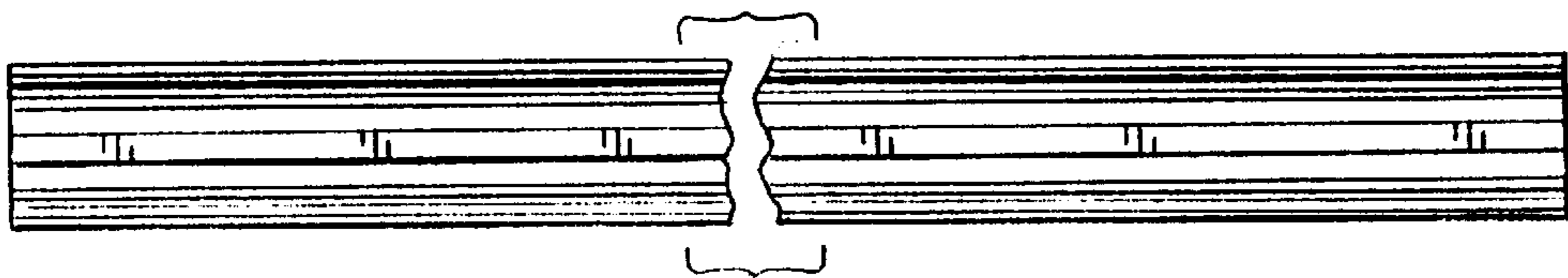


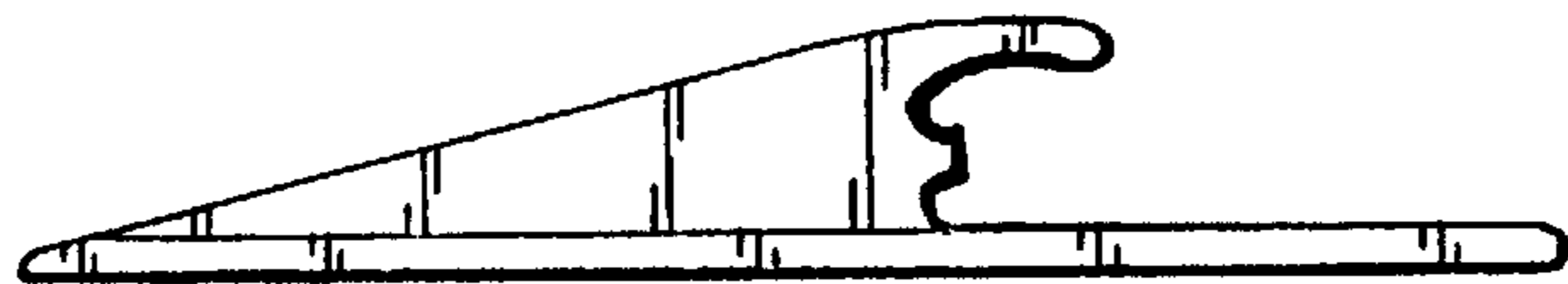
FIG. 3



**FIG. 4**



**FIG. 5**



**FIG. 6**



**FIG. 7**