



US00D439461S

(12) **United States Design Patent**  
**Brunell**

(10) **Patent No.:** **US D439,461 S**

(45) **Date of Patent:** **\*\* Mar. 27, 2001**

(54) **WINDOW COVERING HEAD RAIL**

(75) Inventor: **Shane Brunell**, Clifton Park, NY (US)

(73) Assignee: **Comfortex Corporation**, Watervliet, NY (US)

(\*\*) Term: **14 Years**

(21) Appl. No.: **29/115,938**

(22) Filed: **Dec. 22, 1999**

(51) **LOC (7) Cl.** ..... **06-10**

(52) **U.S. Cl.** ..... **D6/580**

(58) **Field of Search** ..... D6/575, 577, 580;  
D8/376, 377; 160/177, 178.1, 236, 38,  
39, 160

(56) **References Cited**

**U.S. PATENT DOCUMENTS**

D. 231,326	*	4/1974	Miki	.....	D8/377
D. 355,093	*	2/1995	Morris	.....	D6/580
D. 355,094	*	2/1995	Josephson	.....	D6/580
D. 361,010	*	8/1995	Hebsgaard	.....	D6/580
D. 385,449	*	10/1997	Morris	.....	D6/580
D. 403,910	*	1/1999	Anderson	.....	D6/580

\* cited by examiner

*Primary Examiner*—Mitchell Siegel

(74) *Attorney, Agent, or Firm*—Rader, Fishman & Grauer PLLC

(57) **CLAIM**

I claim the ornamental design for a window covering head rail, as shown and described.

**DESCRIPTION**

FIG. 1 is a perspective view of the window covering head rail of the present invention, the broken line showing of the blind is for illustrative purposes only and forms no part of the claimed design;

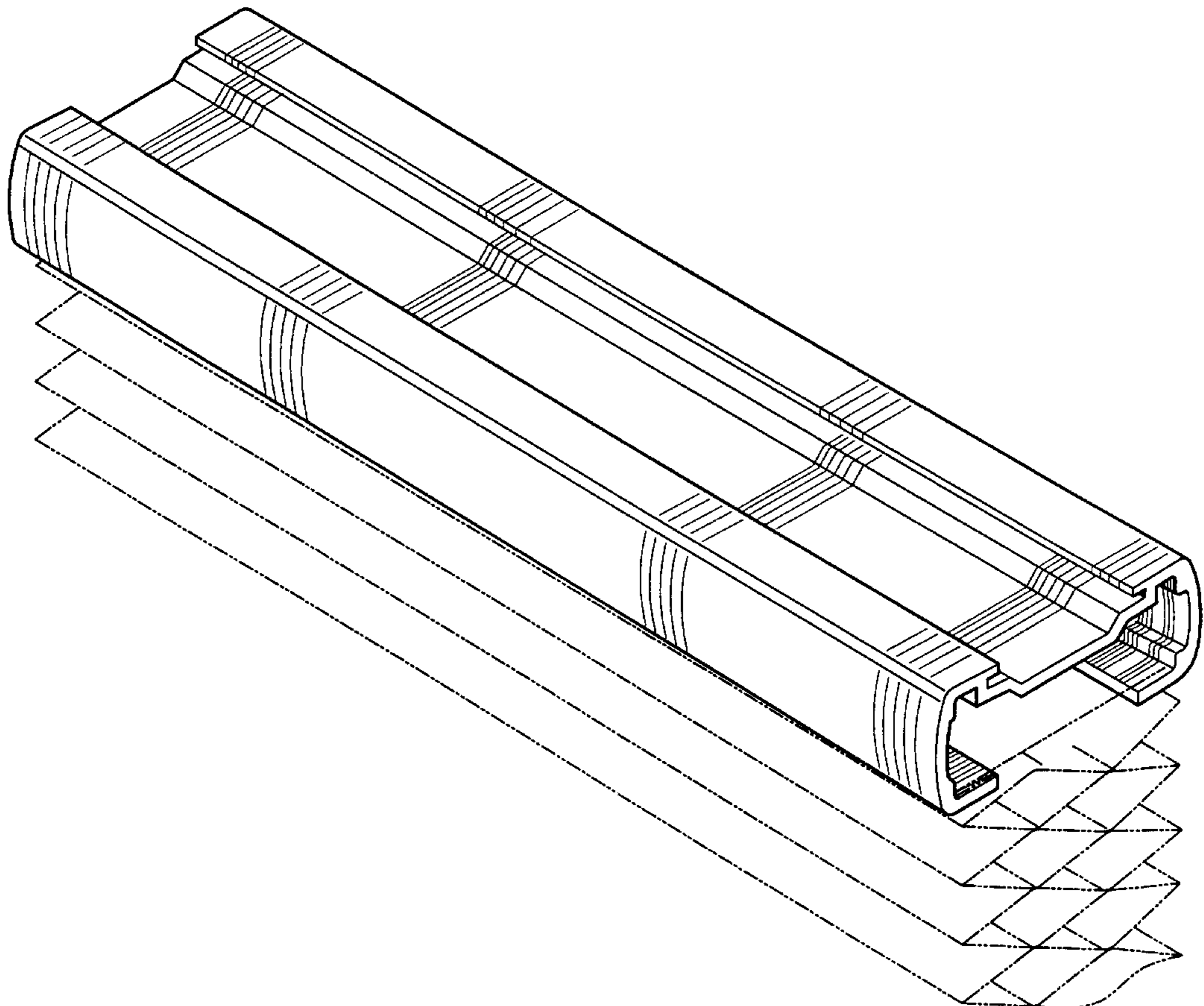
FIG. 2 is a top plan view of the design of the present invention, the broken away section shown for clarity of illustration;

FIG. 3 is a front elevational view of the present invention as disclosed in FIG. 2;

FIG. 4 is a bottom plan view of the present invention as disclosed in FIG. 2; and,

FIG. 5 is an end view of the design of the present invention, the opposite end view being identical.

**1 Claim, 2 Drawing Sheets**



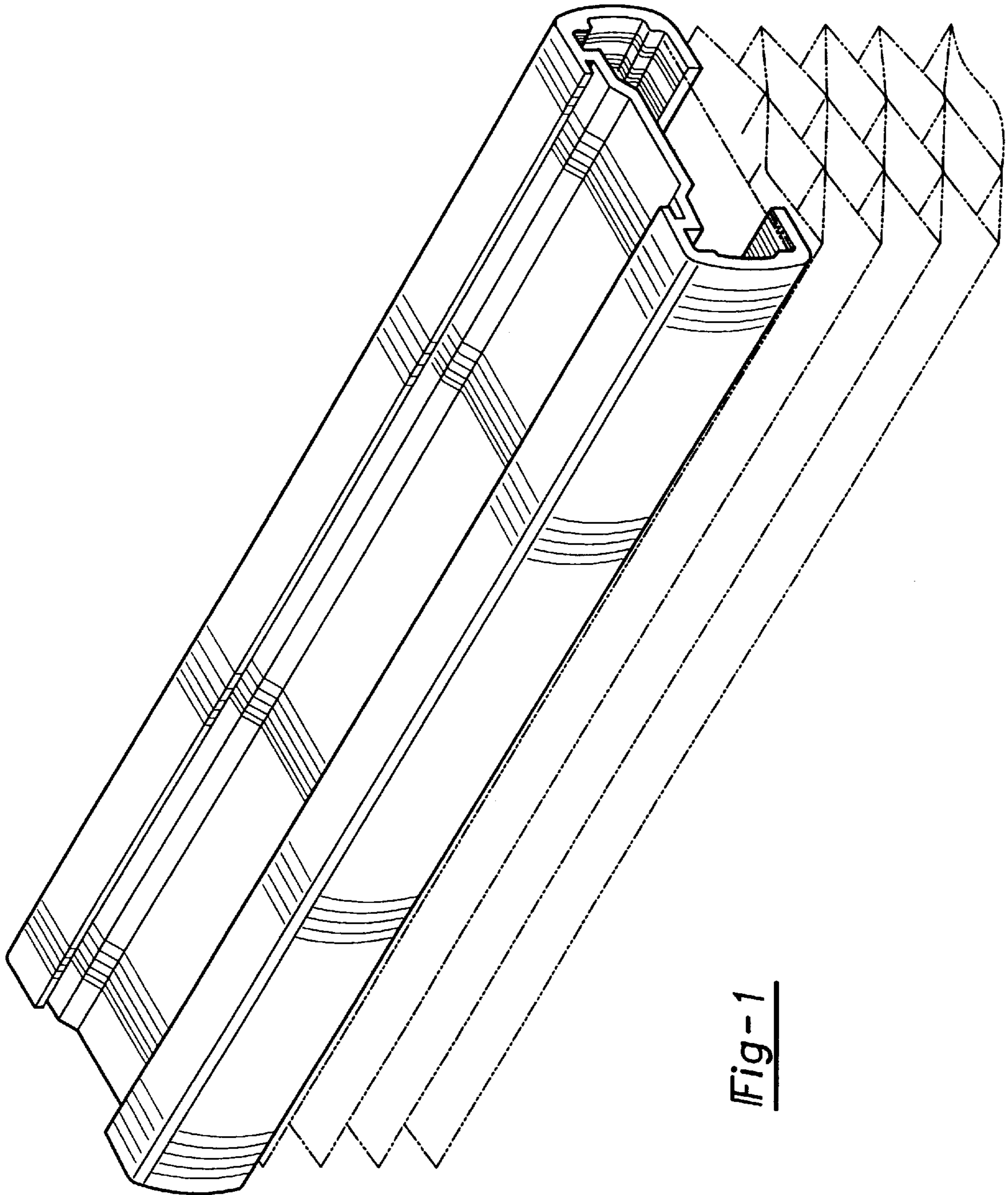


Fig-1

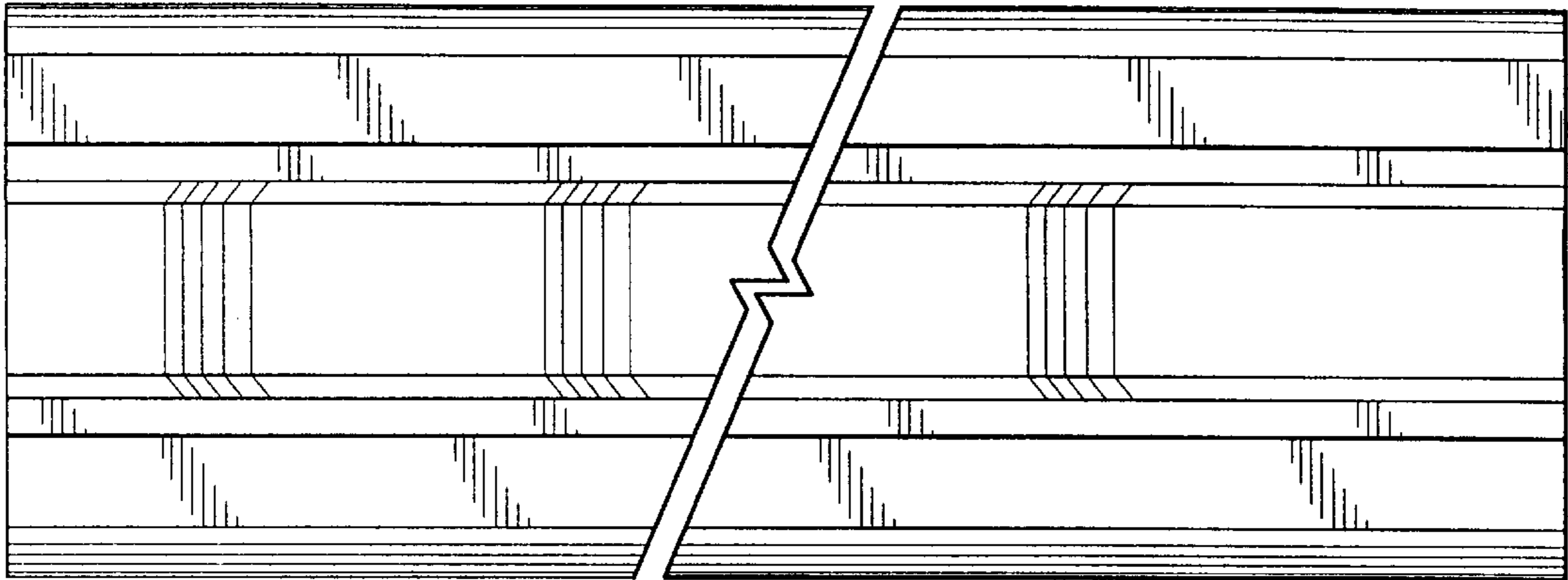


Fig-2

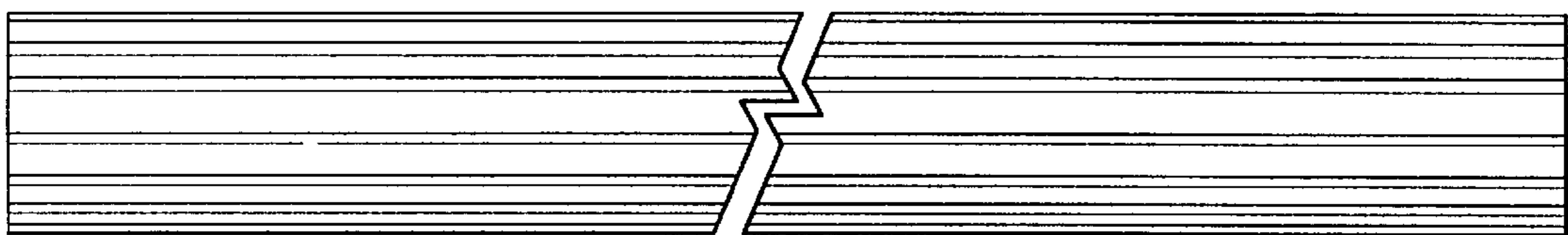


Fig-3

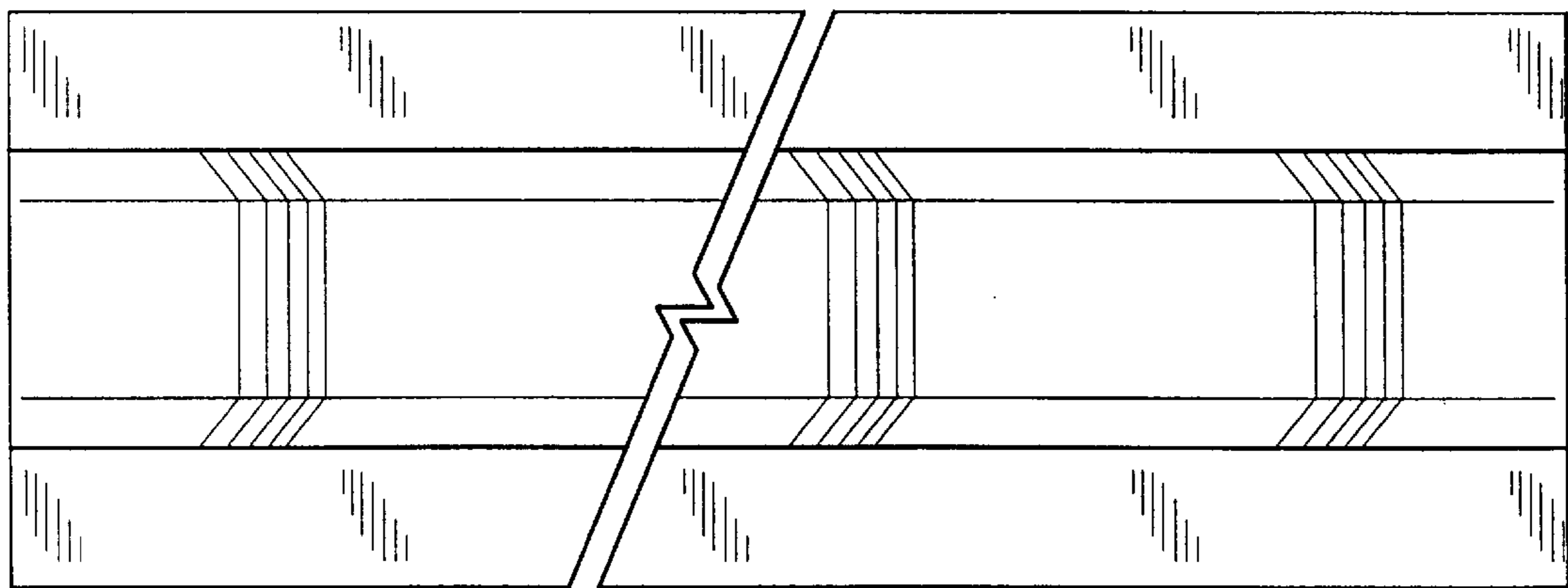


Fig-4

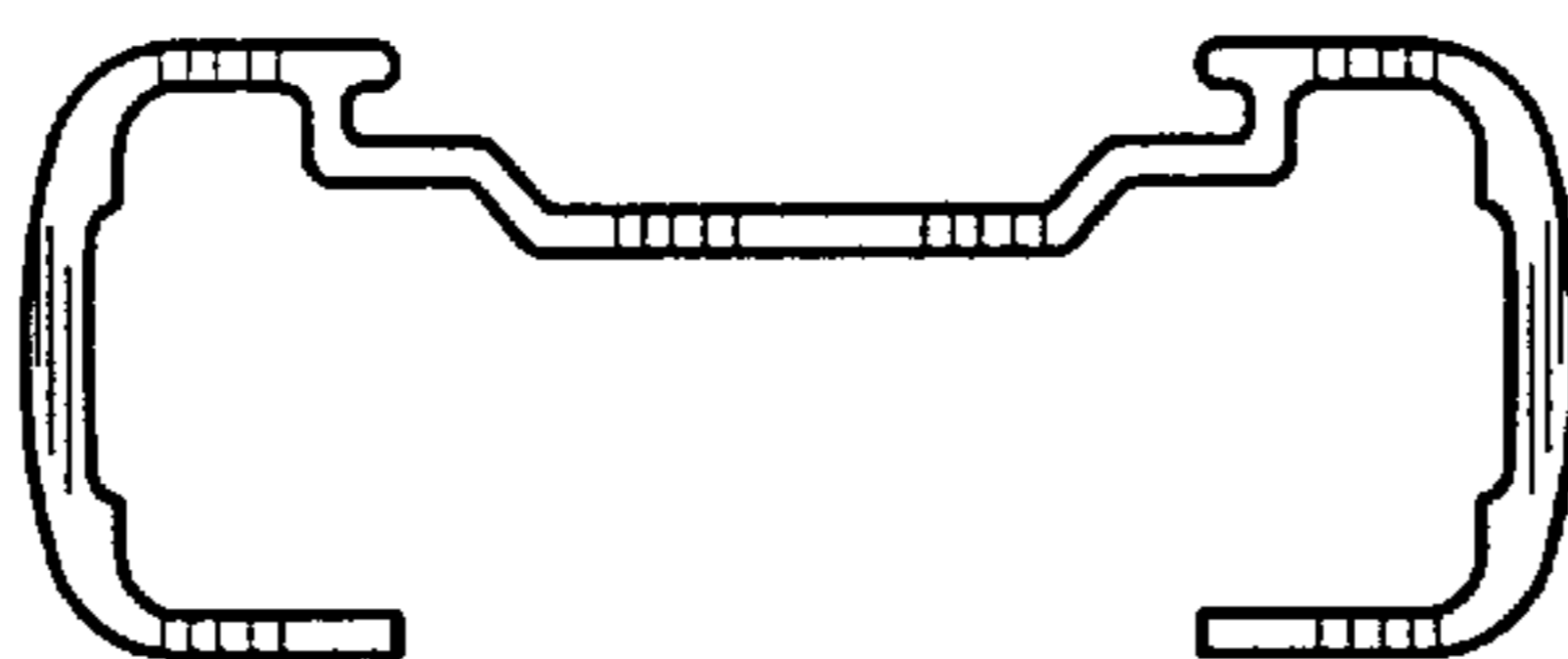


Fig-5