



US00D439459S

(12) **United States Design Patent**  
**Ohanesian**

(10) **Patent No.:** **US D439,459 S**

(45) **Date of Patent:** **\*\* Mar. 27, 2001**

(54) **VALANCE**

2,564,865 \* 8/1951 Turner et al. .... 362/151

(75) **Inventor:** **Harout Ohanesian**, 9 Tattersail La.,  
Laguna Niguel, CA (US) 92677

\* cited by examiner

(73) **Assignee:** **Harout Ohanesian**, Laguna Niguel, CA  
(US)

*Primary Examiner*—Mitchell Siegel

(74) *Attorney, Agent, or Firm*—Myers, Dawes & Andras  
LLP

(\*\*) **Term:** **14 Years**

(57) **CLAIM**

The ornamental design for the valance, as shown and  
described.

(21) **Appl. No.:** **29/103,216**

(22) **Filed:** **Apr. 9, 1999**

**DESCRIPTION**

(51) **LOC (7) Cl.** ..... **06-10**

(52) **U.S. Cl.** ..... **D6/579**

(58) **Field of Search** ..... D6/575, 579; D25/121,  
D25/122-125; 160/1, 5, 7, 19, 38, 39, 168.1,  
178.1, 331, 902; 362/151

FIG. 1 is a front elevational view of the valance of the  
present invention;

FIG. 2 is a top plan view thereof; the opposite view being a  
mirror image thereof;

FIG. 3 is a left-side elevational view thereof;

FIG. 4 is a right-side elevational view thereof;

FIG. 5 is a bottom plan view thereof; and,

FIG. 6 is a perspective view thereof.

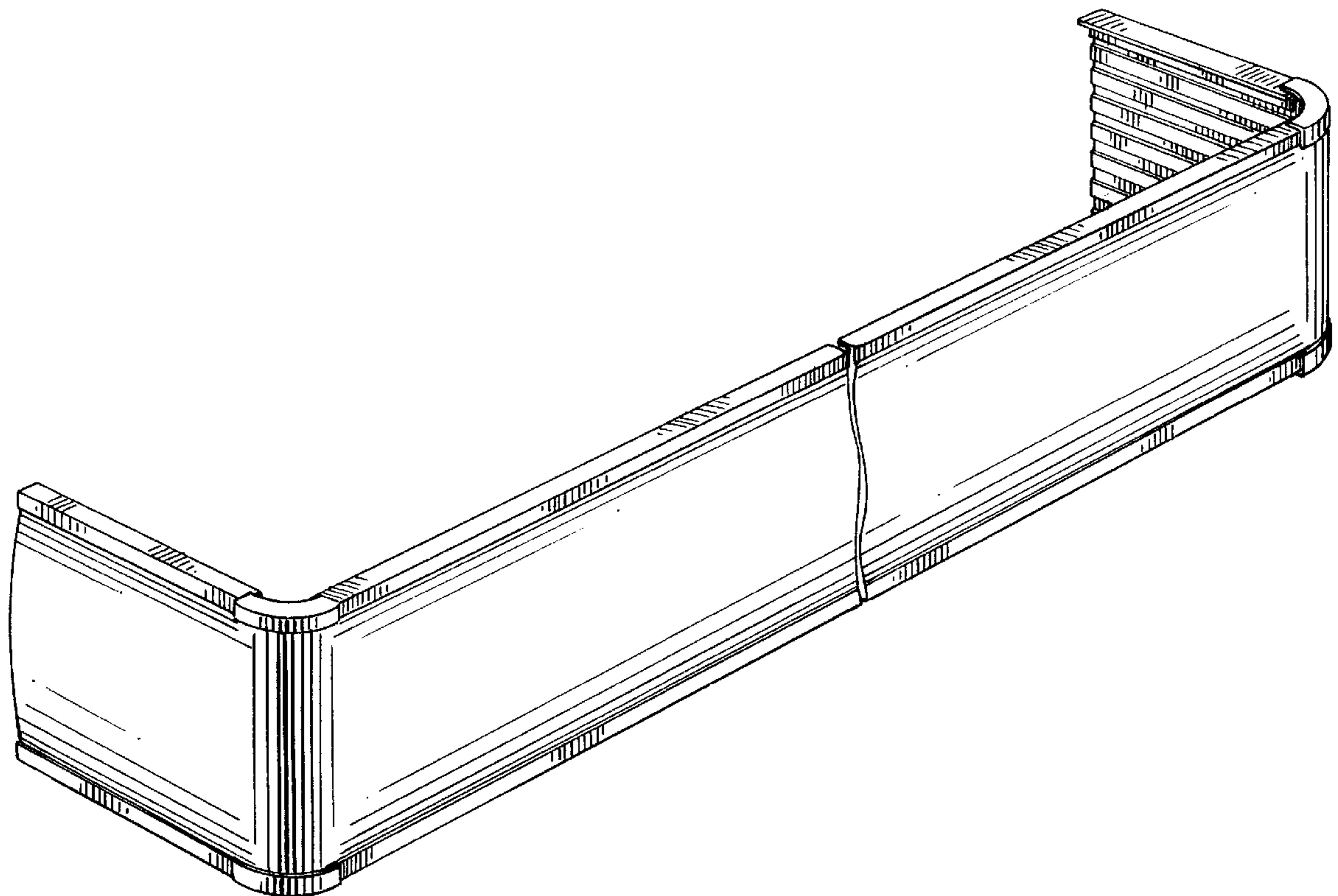
The broken away section on the drawings is due to the  
indeterminate length of the claimed design.

(56) **References Cited**

**U.S. PATENT DOCUMENTS**

- D. 334,683 \* 4/1993 Byrne ..... D6/579
- D. 379,729 \* 6/1997 Ohanesian ..... D6/579
- D. 406,716 \* 3/1999 Growden ..... D6/579

**1 Claim, 2 Drawing Sheets**



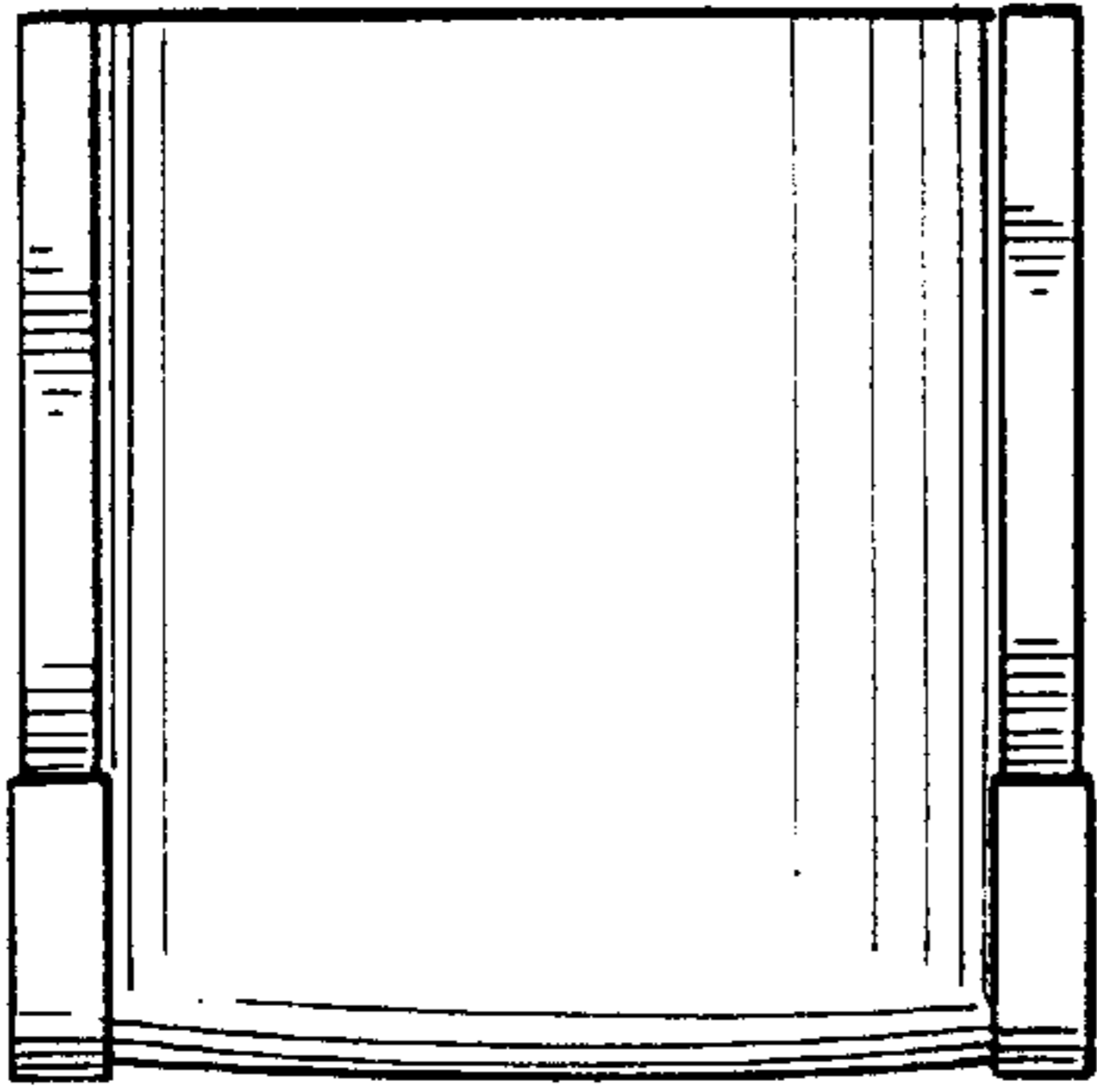


FIG. 3

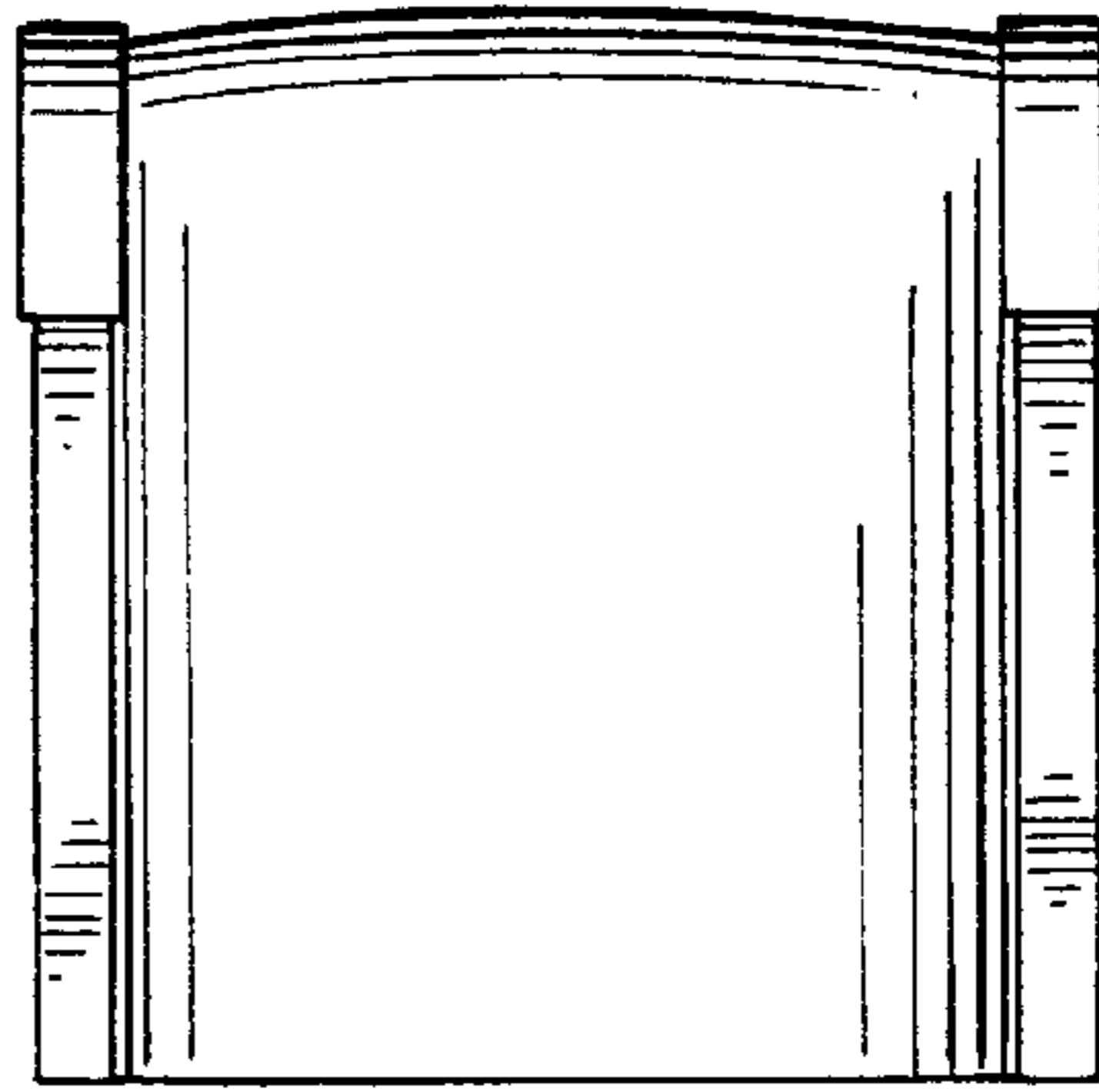


FIG. 4

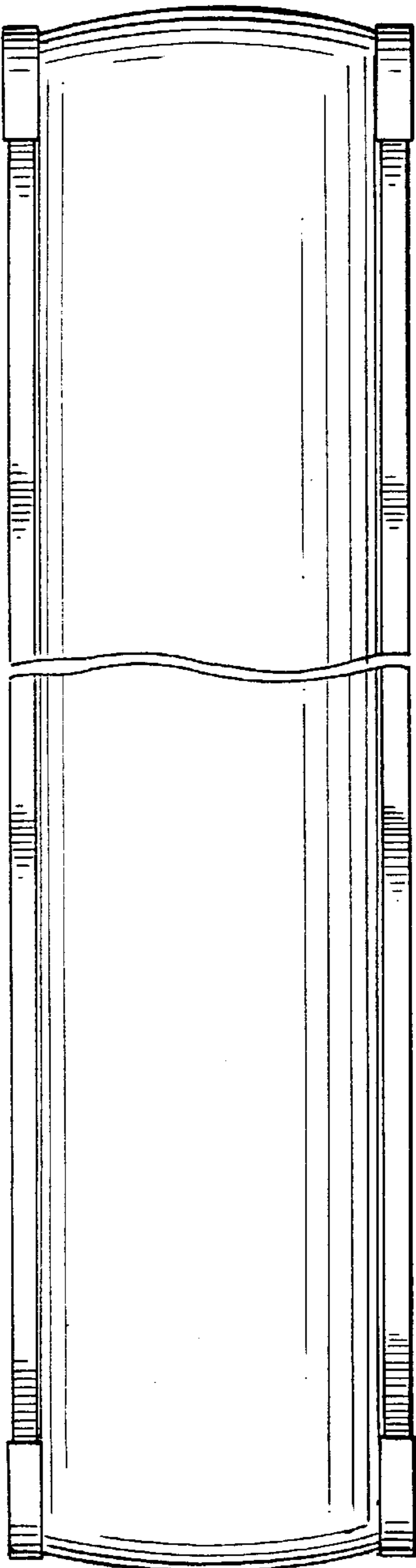


FIG. 1

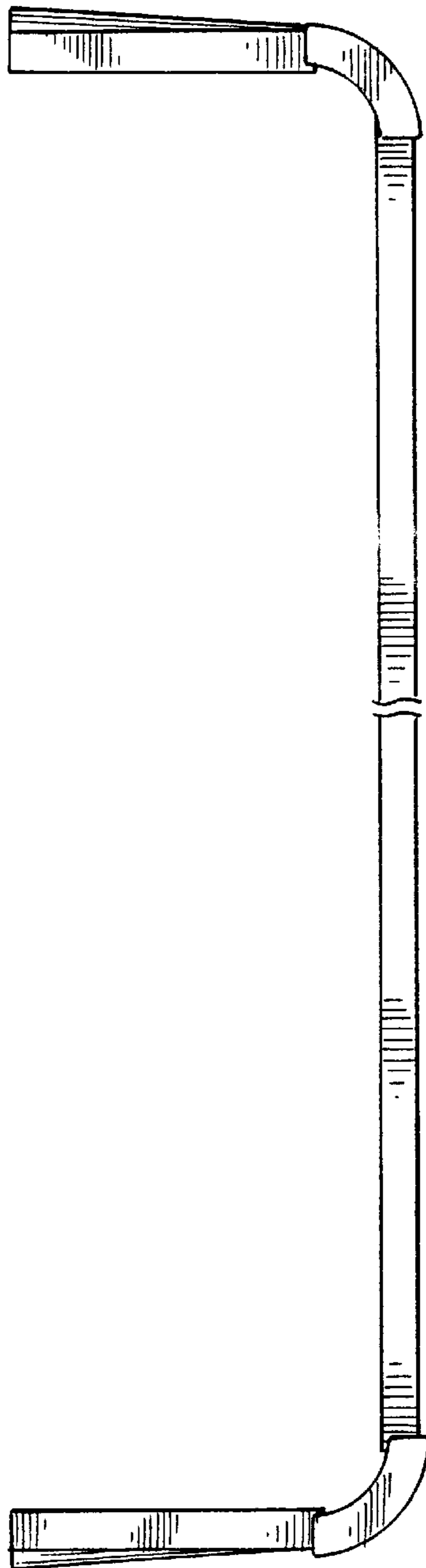


FIG. 2

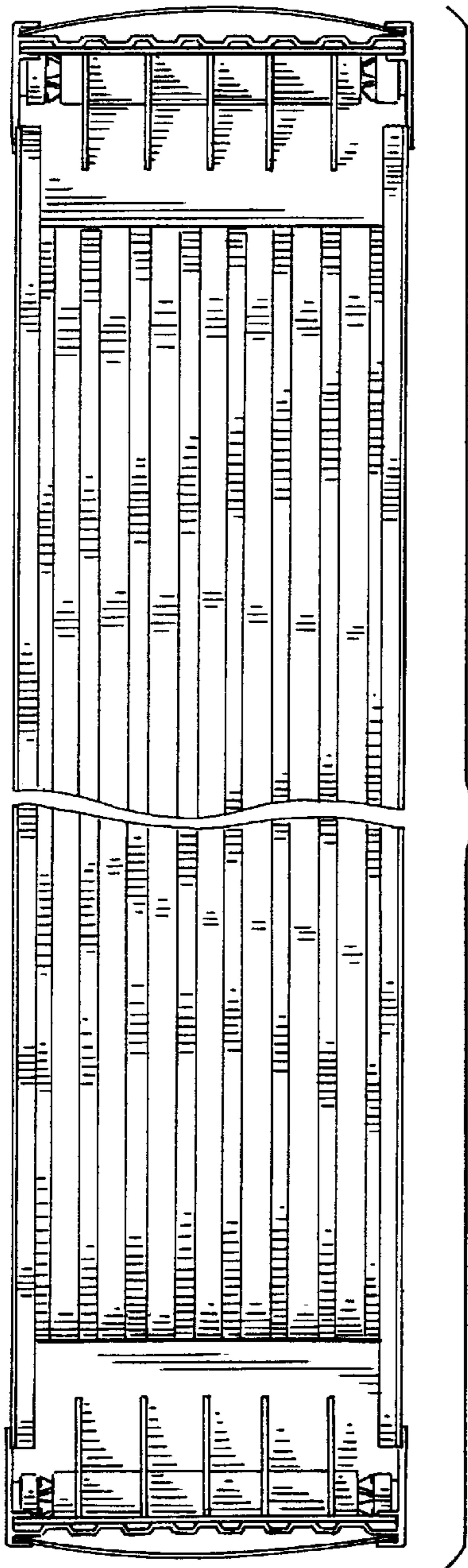


FIG. 5

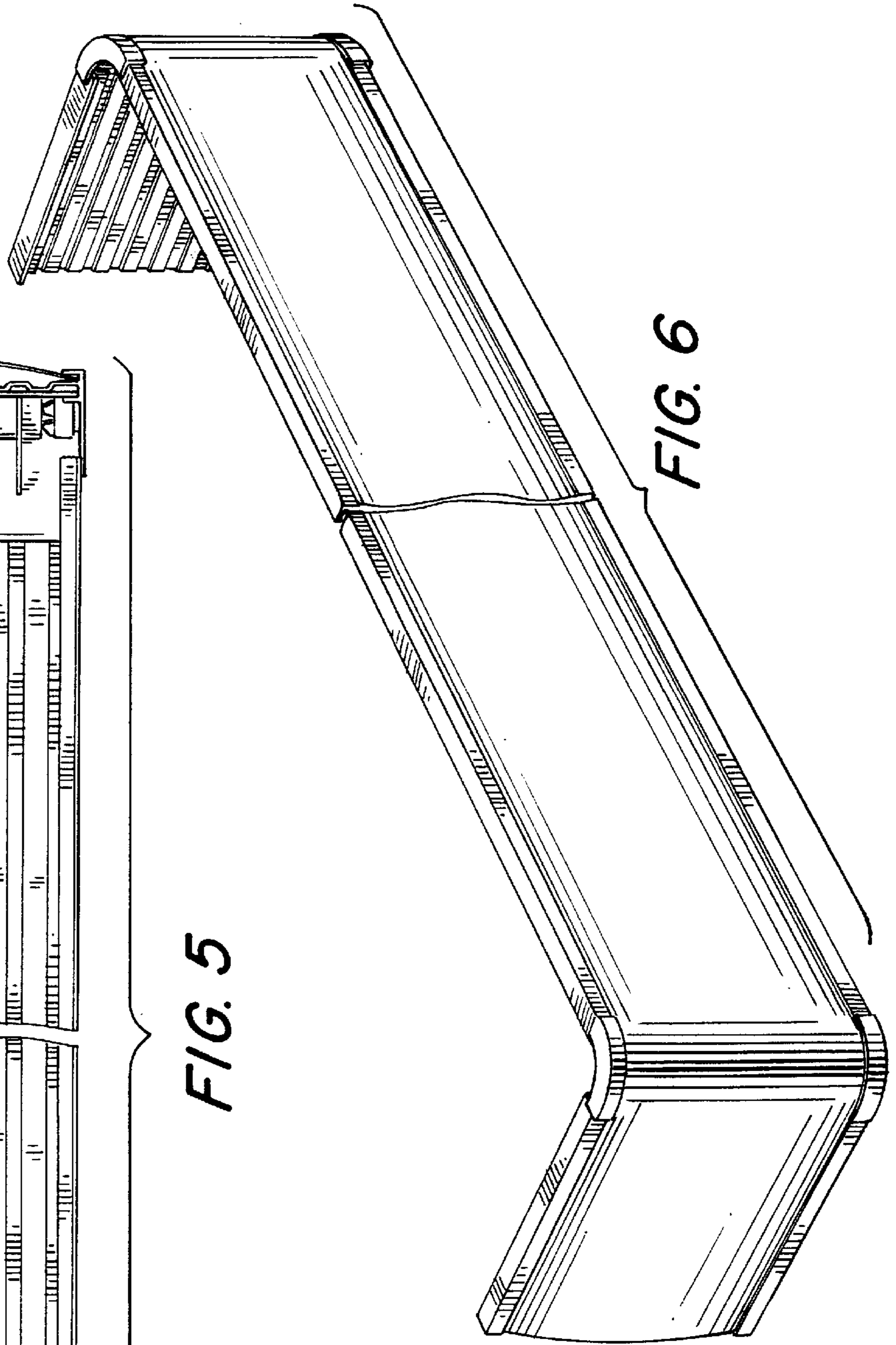


FIG. 6