



US00D439453S

(12) **United States Design Patent**  
**Camfferman**

(10) **Patent No.:** **US D439,453 S**

(45) **Date of Patent:** **\*\* Mar. 27, 2001**

(54) **BEDBOARD**

(75) Inventor: **Brent J. Camfferman**, Winnipeg (CA)

(73) Assignee: **Pallister Furniture Ltd.**, Winnipeg (CA)

(\*\*) Term: **14 Years**

(21) Appl. No.: **29/108,529**

(22) Filed: **Jul. 29, 1999**

(51) **LOC (7) Cl.** ..... **06-01**

(52) **U.S. Cl.** ..... **D6/505; D6/395; D6/508**

(58) **Field of Search** ..... **D6/382, 388-395, D6/505-508; 5/53.1, 279.1, 280, 281, 907**

(56) **References Cited**

**U.S. PATENT DOCUMENTS**

- D. 403,527 \* 1/1999 Annas ..... D6/395
- D. 408,648 \* 4/1999 Walters, III et al. .... D6/395
- 4,679,261 \* 7/1987 Stanley et al. .... 5/53.1 X

**OTHER PUBLICATIONS**

“Rhodes Sales Flyer” magazine, Oct. 1998.

\* cited by examiner

*Primary Examiner*—Janice E. Seeger

(74) *Attorney, Agent, or Firm*—Marshall, O’Toole, Gerstein, Murray & Borun

(57) **CLAIM**

The ornamental design for bedboard, as shown and described.

**DESCRIPTION**

FIG. 1 is a front, right side perspective view of a bedboard showing my design, and the front, left side perspective view is a mirror image;

FIG. 2 is a front view of the headboard in FIG. 1;

FIG. 3 is a cross-sectional side view of the headboard at 3—3 in FIG. 2;

FIG. 4 is a front view of the footboard in FIG. 1; and,

FIG. 5 is a cross-sectional view of the footboard at 5—5 in FIG. 4.

The features shown in broken lines are not part of the claimed design.

**1 Claim, 3 Drawing Sheets**

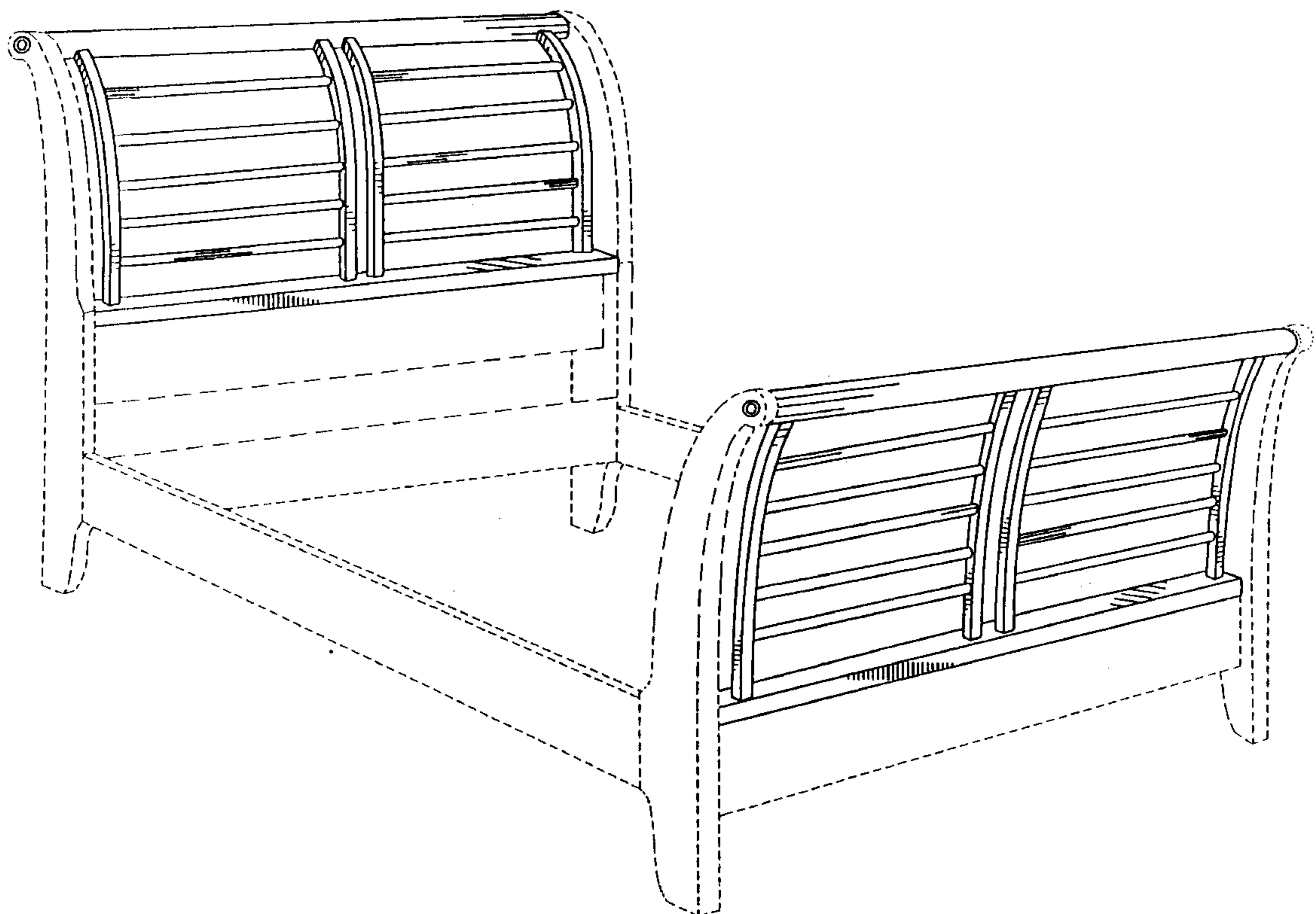
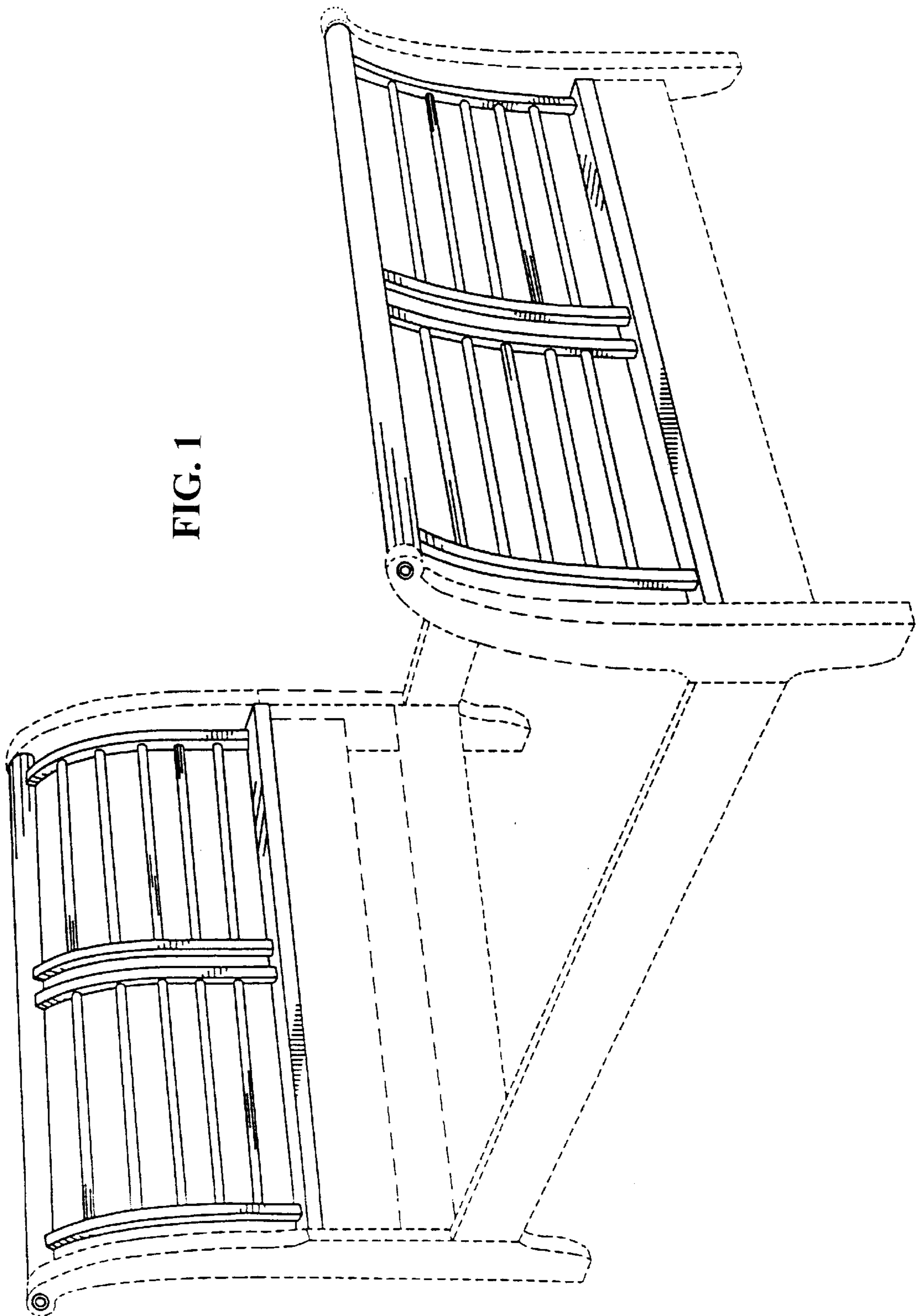


FIG. 1



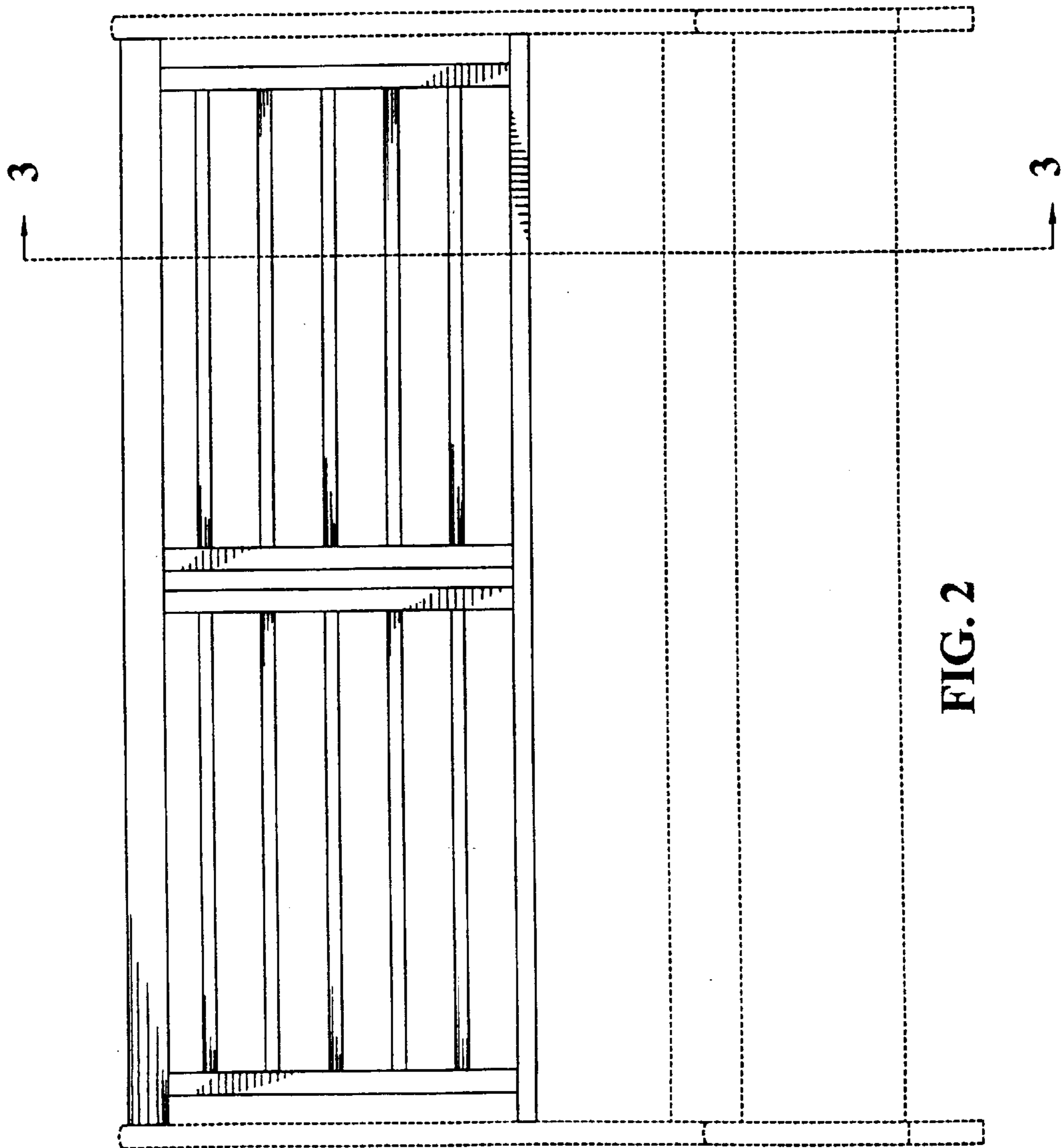


FIG. 2

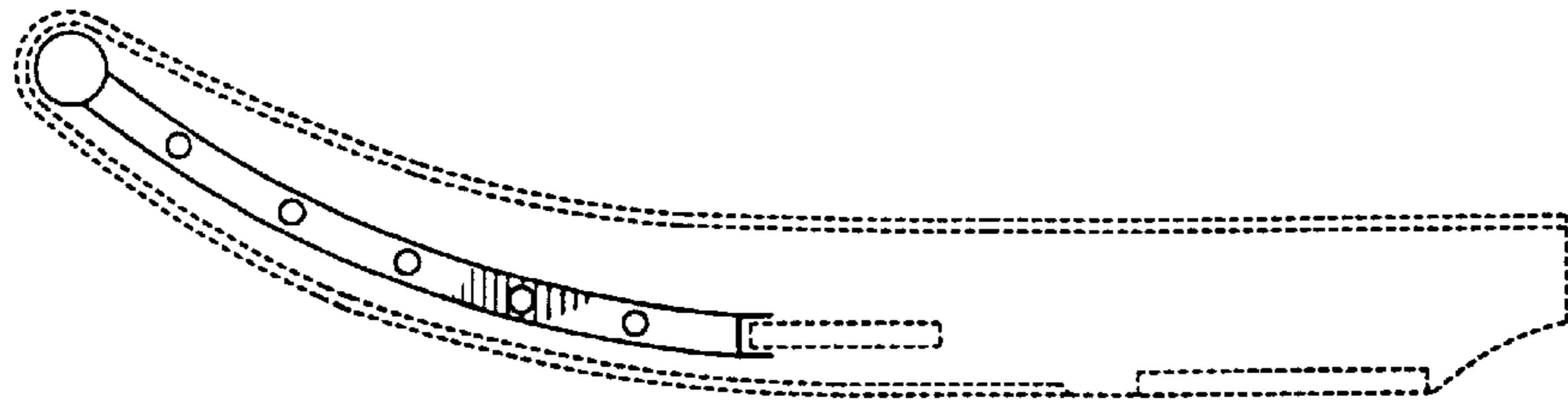


FIG. 3

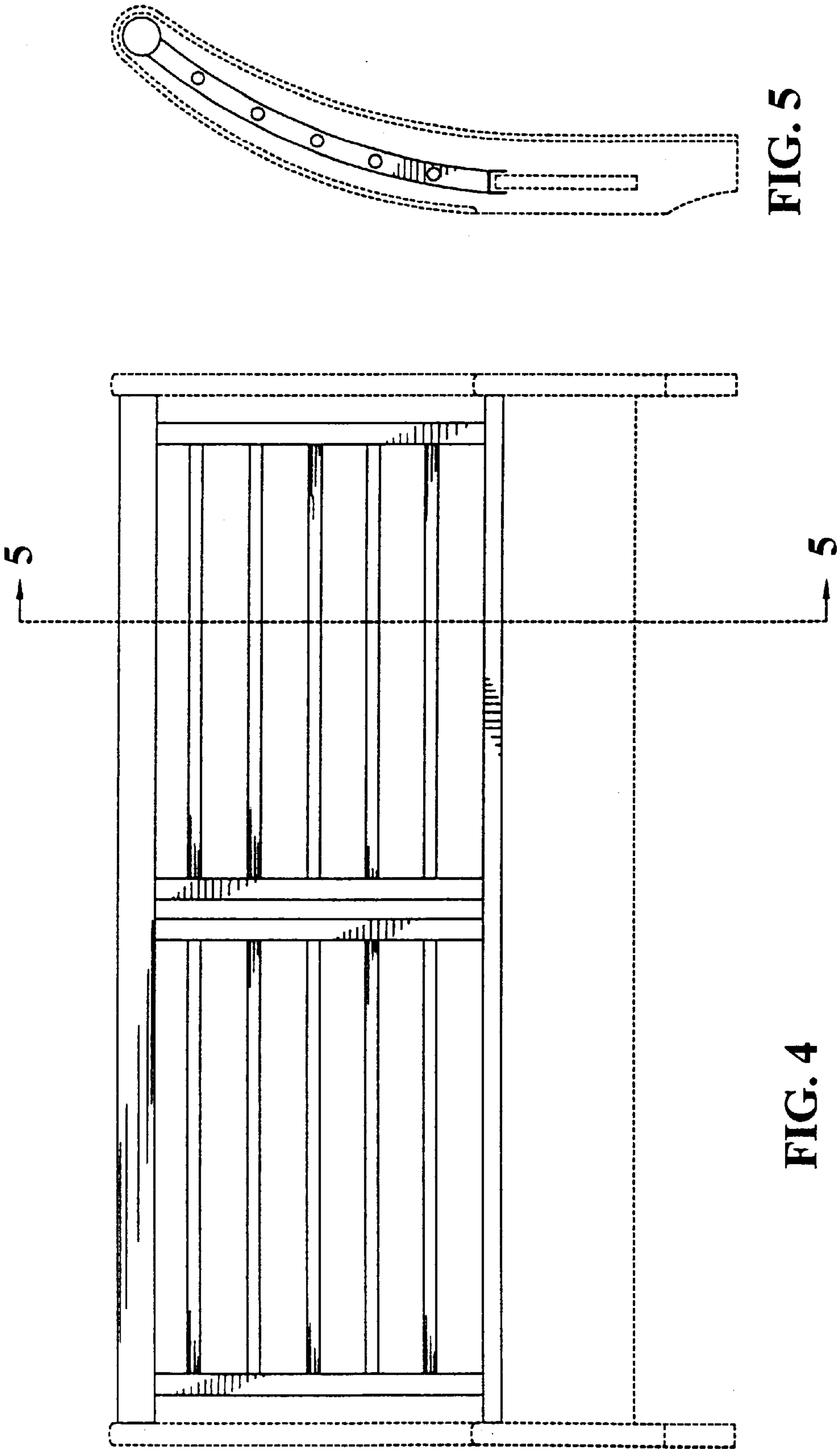


FIG. 5

FIG. 4