



US00D439451S

(12) **United States Design Patent**
Simons, Jr. et al.

(10) **Patent No.:** **US D439,451 S**

(45) **Date of Patent:** **** Mar. 27, 2001**

(54) **BACK FOR A SEATING UNIT**

(75) Inventors: **George J. Simons, Jr.**, East Grand Rapids; **David C. Jenkins**, Grand Rapids, both of MI (US); **Arnold B. Dammermann**, Winona, MN (US); **Thomas B. Eich**, Palo Alto; **Thomas Overthun**, San Francisco, both of CA (US); **Kurt R. Heidmann**, Grand Rapids; **David S. Teppo**, East Grand Rapids, both of MI (US)

(73) Assignee: **Steelcase Development Inc.**, Grand Rapids, MI (US)

(**) Term: **14 Years**

(21) Appl. No.: **29/103,161**

(22) Filed: **Apr. 9, 1999**

(51) **LOC (7) Cl.** **06-06**

(52) **U.S. Cl.** **D6/502; D6/366**

(58) **Field of Search** D6/334, 364, 365, D6/366, 367, 500, 501, 502; 297/411.2, 411.27

(56) **References Cited**

U.S. PATENT DOCUMENTS

- D. 123,831 * 12/1940 Brainard D6/364
- D. 272,204 1/1984 De Boer .
- D. 277,143 1/1985 Helmholdt .
- D. 279,155 6/1985 Aronowitz et al. .
- D. 292,655 11/1987 Hendrick .
- D. 309,384 7/1990 Buhk .
- D. 312,176 * 11/1990 Heidmann D6/502
- D. 320,507 10/1991 Shields .
- D. 320,704 * 10/1991 Monesi D6/366
- D. 326,369 * 5/1992 Buchacz D6/366
- D. 328,199 7/1992 Citterio .
- D. 328,822 * 8/1992 Piretti D6/366
- D. 328,980 * 9/1992 Buchacz D6/366
- D. 330,478 10/1992 Wogoman et al. .
- D. 339,927 10/1993 Fahnstrom et al. .
- D. 343,740 2/1994 Ginat .

- D. 345,259 3/1994 Narita .
- D. 346,279 4/1994 Stumpf et al. .
- D. 349,621 8/1994 Wilson .
- D. 351,070 10/1994 Scheper et al. .
- D. 352,181 11/1994 Ivicevi .
- D. 358,063 5/1995 Larkin .
- D. 362,973 10/1995 Schultz .
- D. 362,974 10/1995 Olson et al. .
- D. 365,453 12/1995 Newhouse .
- D. 367,982 * 3/1996 Stirling et al. D6/500
- D. 371,009 * 6/1996 Werner D6/366
- D. 371,683 7/1996 Tolleson et al. .
- D. 380,110 6/1997 Tortel .
- D. 381,525 * 7/1997 James D6/366
- D. 390,712 2/1998 Koepke et al. .
- D. 391,791 3/1998 Smith .
- D. 393,755 4/1998 Nemeth, Jr. .
- D. 395,366 * 6/1998 Favanello D6/366
- D. 398,163 9/1998 Desanta .
- D. 401,771 * 12/1998 Goodworth et al. D6/366
- D. 411,928 * 7/1999 Ritch et al. D6/500
- D. 414,349 * 9/1999 Jenkins et al. D6/366

(List continued on next page.)

Primary Examiner—Gary D. Watson

(74) *Attorney, Agent, or Firm*—Price, Heneveld, Cooper, Dewitt & Litton

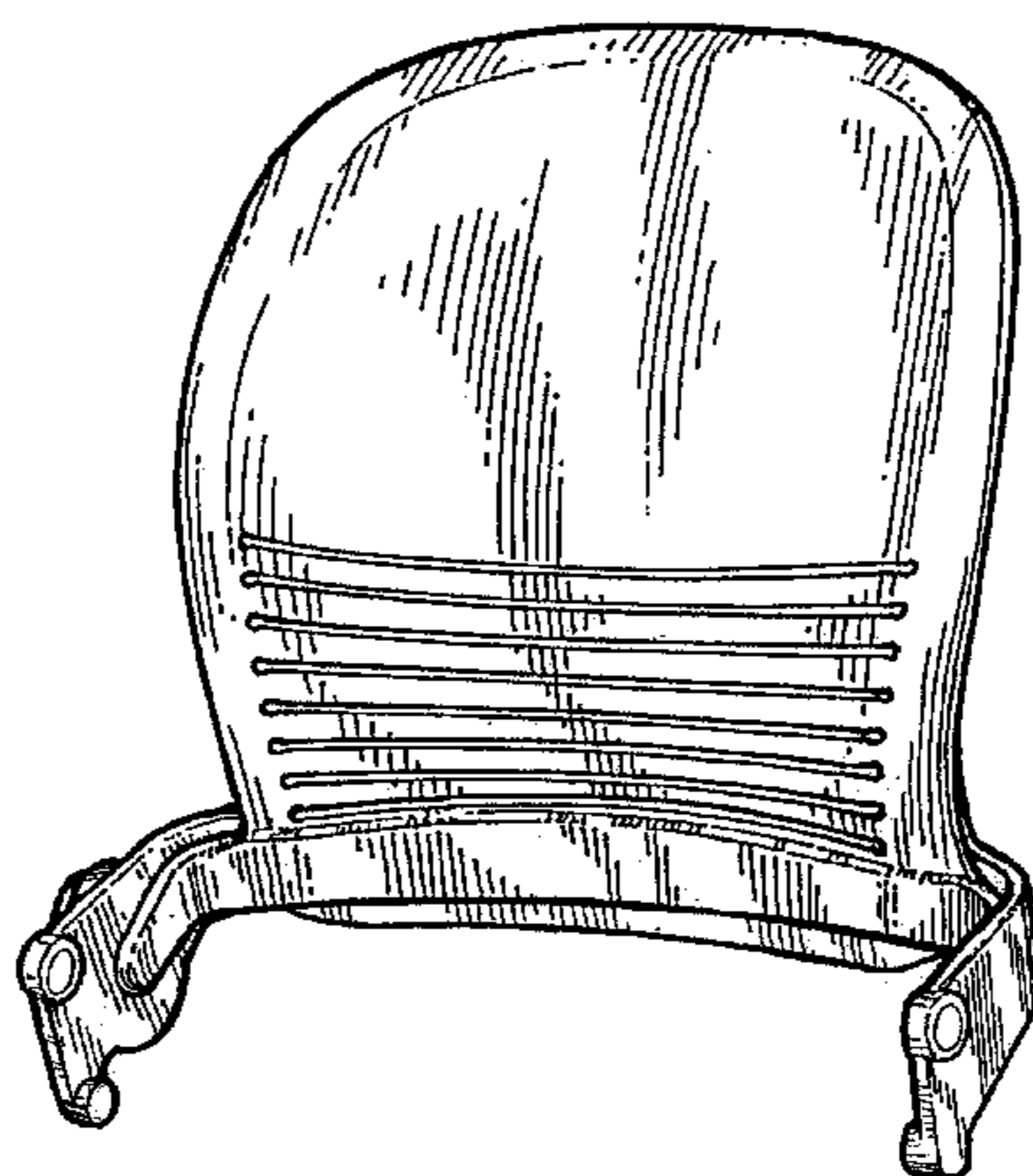
(57) **CLAIM**

The ornamental design for a back for a seating unit, as shown and described.

DESCRIPTION

FIG. 1 is a front perspective view of a chair back embodying the present design;
FIG. 2 is a rear perspective view thereof;
FIG. 3 is a right side view thereof;
FIG. 4 is a left side view thereof;
FIG. 5 is a front view thereof;
FIG. 6 is a rear view thereof;
FIG. 7 is a top view thereof; and,
FIG. 8 is a bottom view thereof.

1 Claim, 4 Drawing Sheets



US D439,451 S

Page 2

U.S. PATENT DOCUMENTS			
		5,382,079	1/1995 Wilson et al. .
		5,385,388	1/1995 Faiks et al. .
D. 417,101	* 11/1999	5,501,507	3/1996 Hummitzsch .
		5,577,807	11/1996 Hodge et al. .
D. 421,540	* 3/2000	5,599,067	2/1997 Schuelke et al. .
		5,667,277	9/1997 Van De Riet .
4,451,085	5/1984		
4,509,793	4/1985		
4,529,247	7/1985		
4,861,108	8/1989		
4,911,501	3/1990		

* cited by examiner

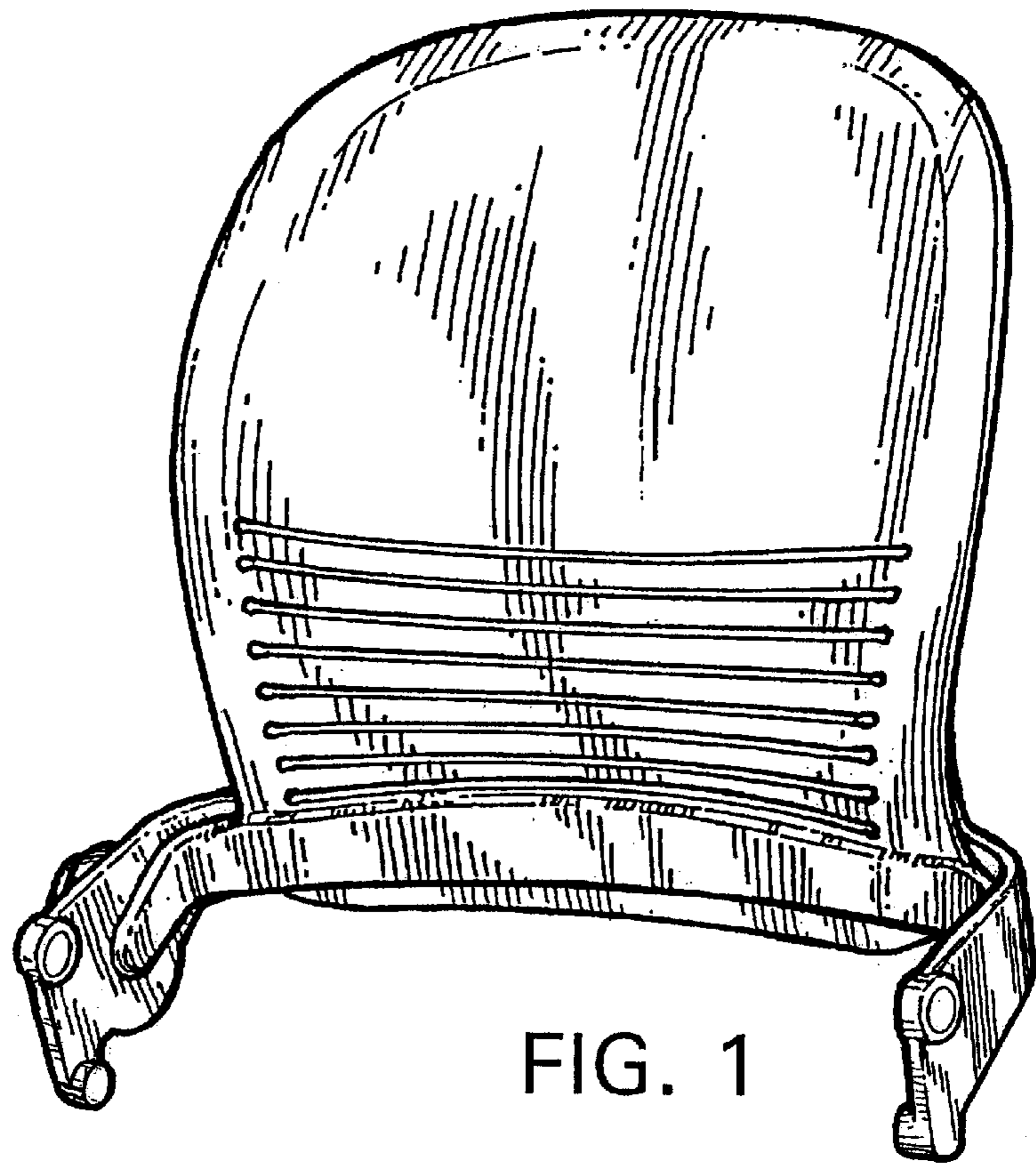


FIG. 1

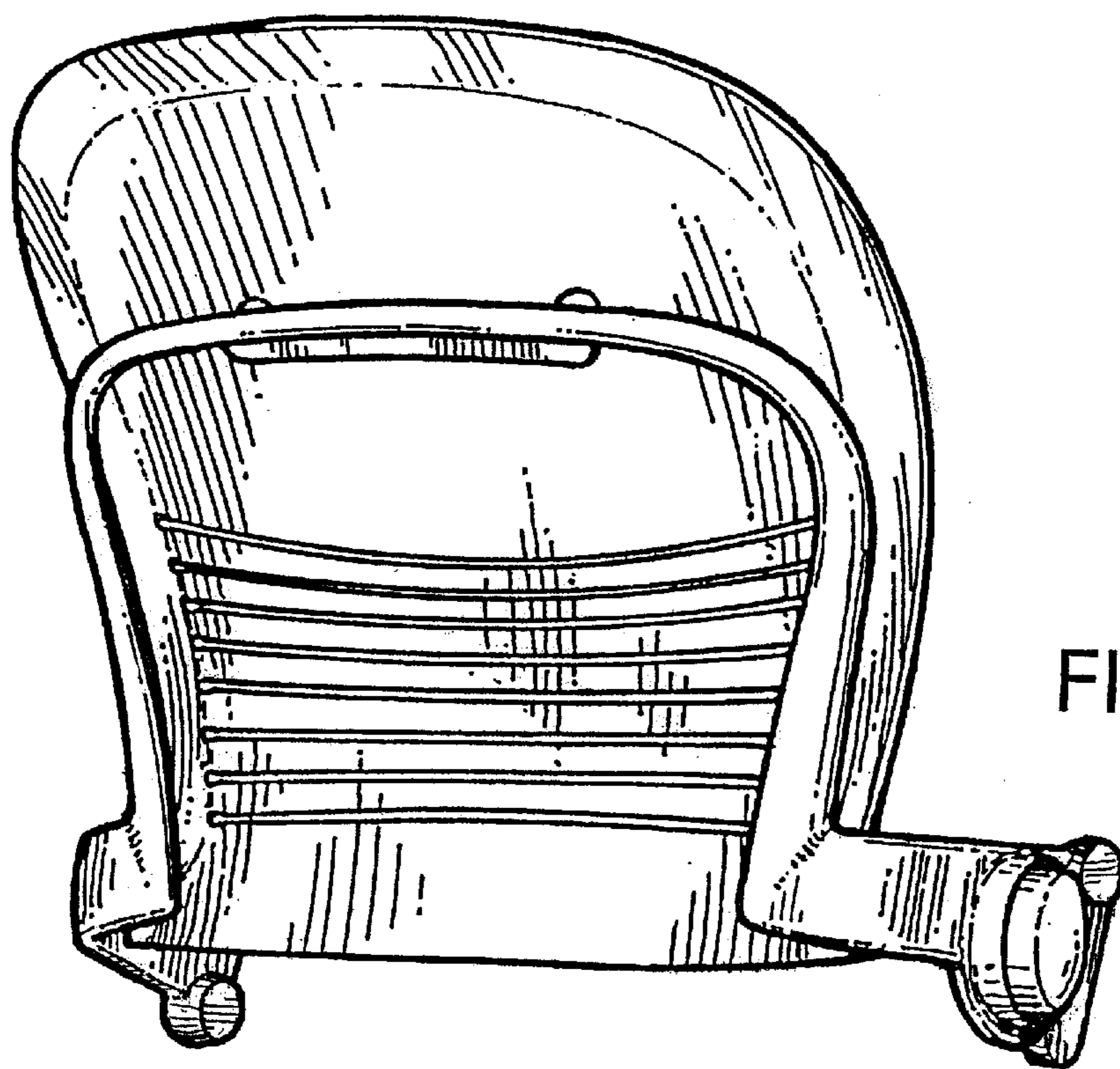


FIG. 2

FIG. 3

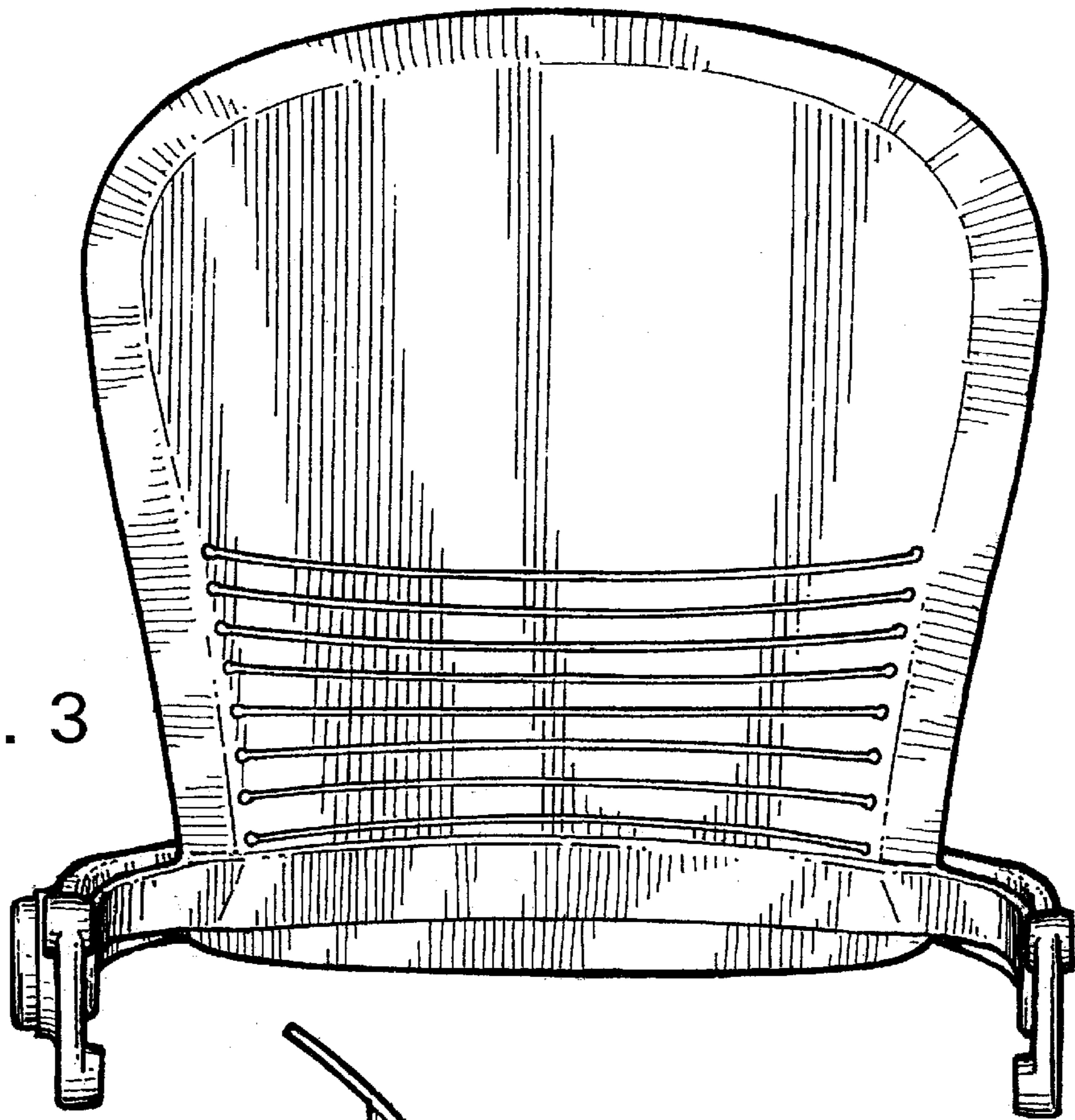


FIG. 4

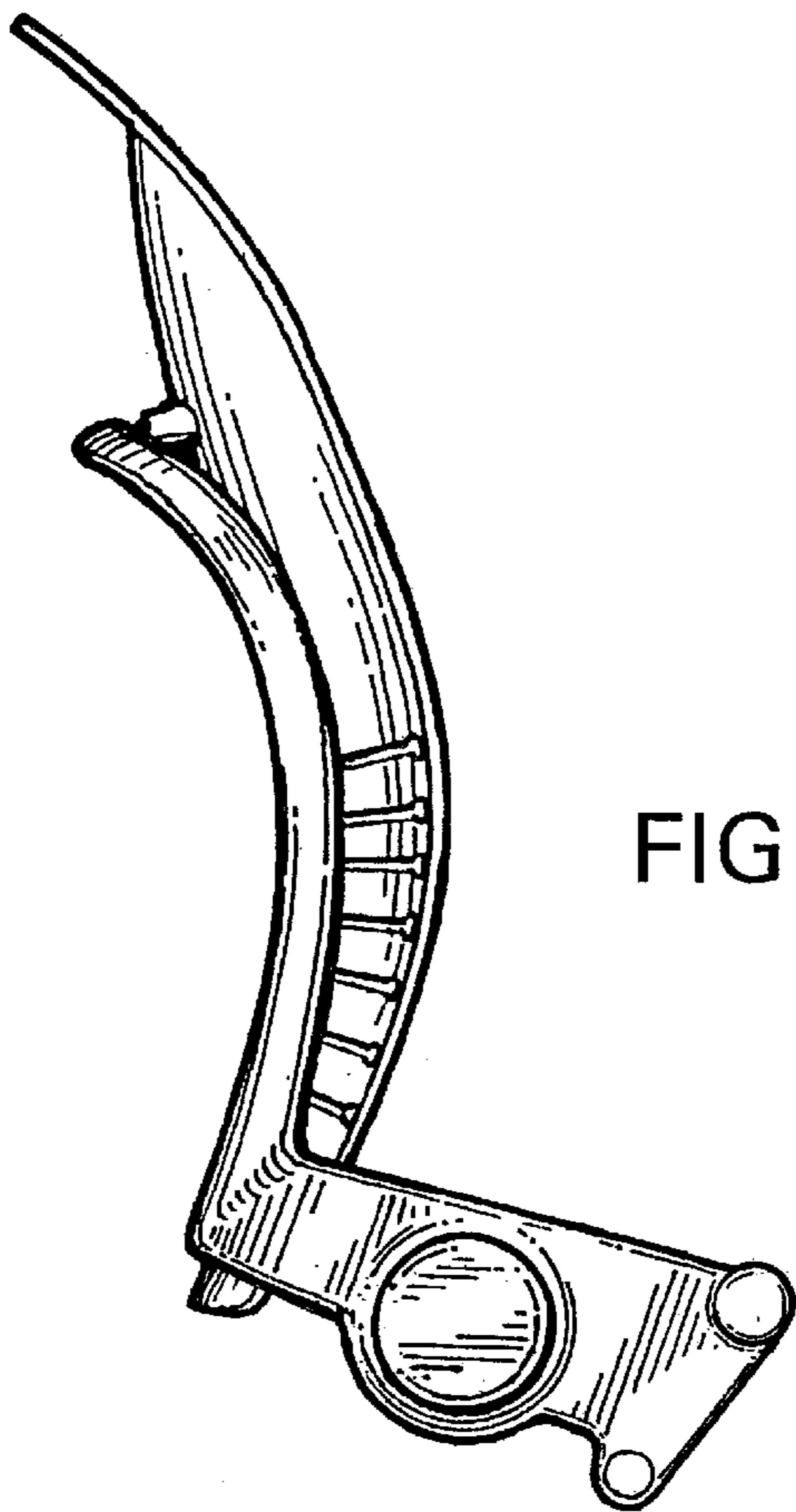


FIG. 5

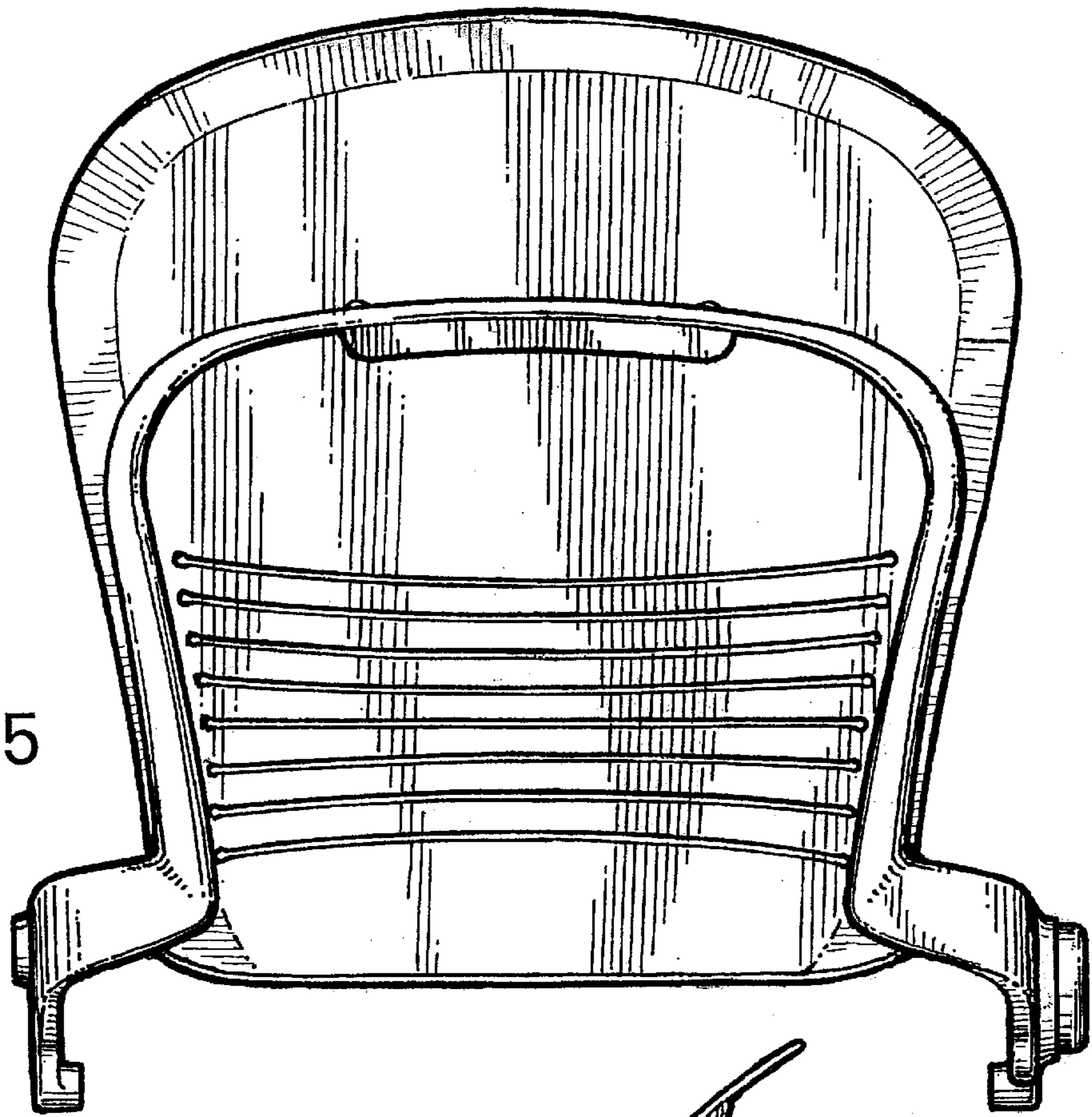
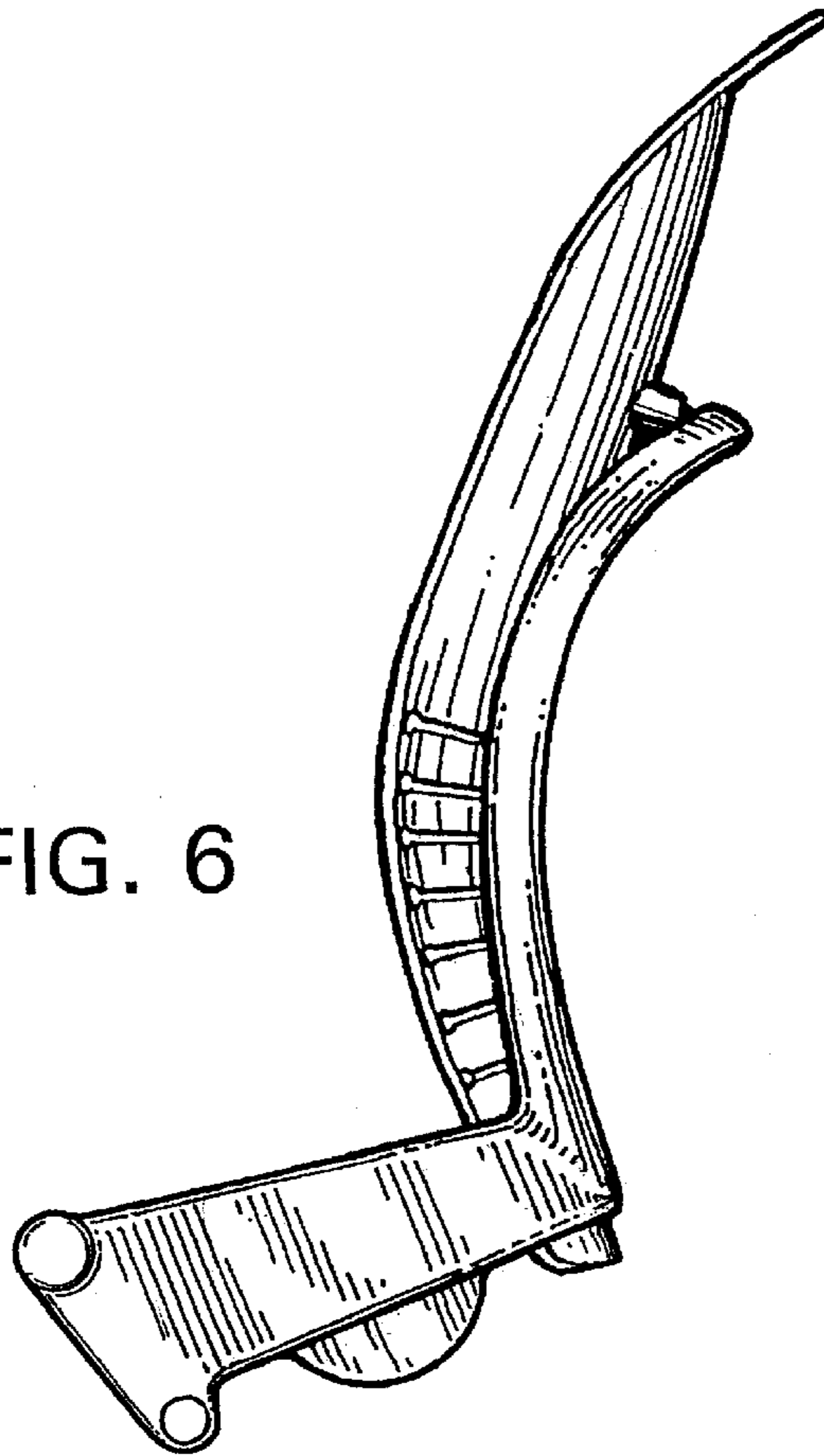


FIG. 6



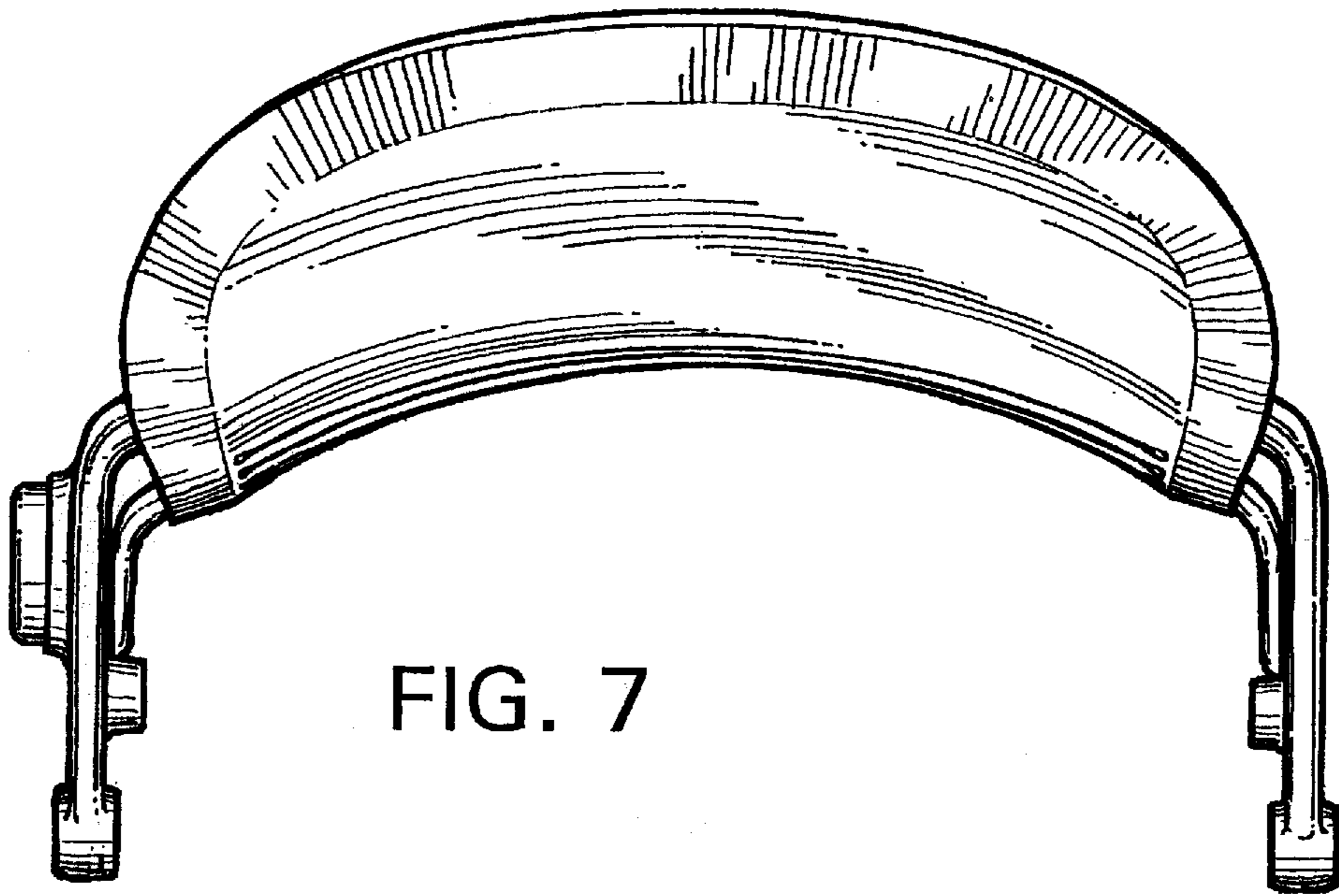


FIG. 7

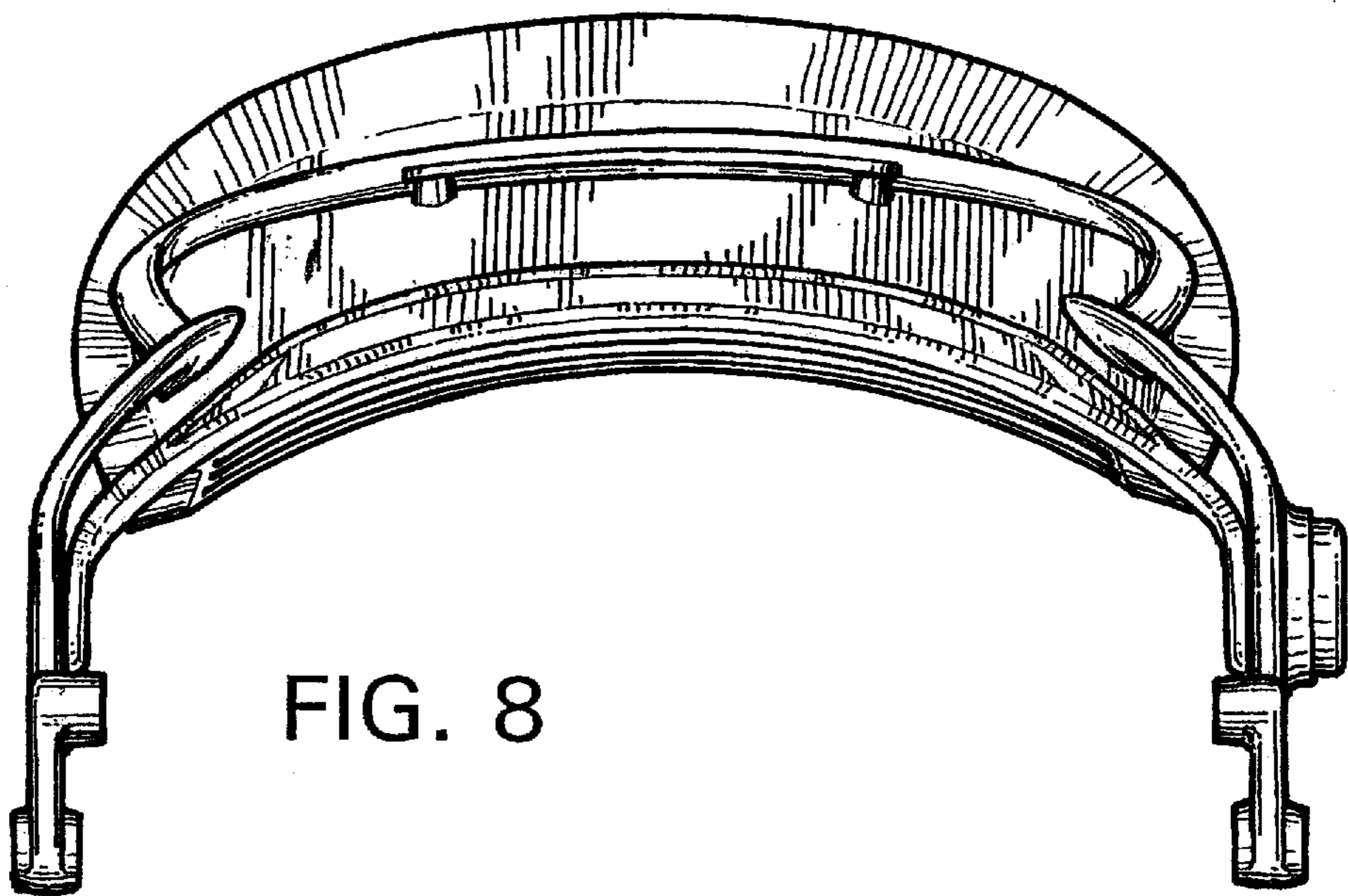


FIG. 8