



US00D439447S

(12) **United States Design Patent**  
**Diekman**

(10) **Patent No.:** **US D439,447 S**

(45) **Date of Patent:** **\*\* Mar. 27, 2001**

(54) **SET OF TABLES**

(75) Inventor: **Norman J. Diekman**, New York, NY (US)

(73) Assignee: **Steelcase Development Inc.**, Caledonia, MI (US)

(\*\*) Term: **14 Years**

(21) Appl. No.: **29/124,184**

(22) Filed: **Jun. 1, 2000**

(51) **LOC (7) Cl.** ..... **06-03**

(52) **U.S. Cl.** ..... **D6/486; D6/495; D6/601**

(58) **Field of Search** ..... D6/349, 351-353, D6/355, 486, 495, 601, 480, 484; 297/181, 461, 462, 423.1, 423.39, 423.41; 108/150

(56) **References Cited**

**U.S. PATENT DOCUMENTS**

D. 373,477	*	9/1996	Lewis	.....	D6/349
D. 406,470	*	3/1999	Lin	.....	D6/349
D. 406,480	*	3/1999	Lin	.....	D6/486
D. 419,340	*	1/2000	Swensson et al.	.....	D6/486

**OTHER PUBLICATIONS**

Intrex Monoforms, c1984, front cover.\*  
Intrex Habitat, p. 5.\*  
Intrex Monoforms, c1984, p. 15, table arrangement at lower left corner.\*

Richard Serra, "Torqued Ellipses", p. 1-12 and 59-74, bearing a designation of "© 1997" (25 sheets).

Architectural Digest, "Designer Focus—Clodagh", p. 86, Aug. 2000 issue (1 color sheet).

Architettura D'Interni, "L'opera e lo spazio", p. 76-78, undated (3 color sheets).

\* cited by examiner

*Primary Examiner*—Janice E. Seeger

(74) *Attorney, Agent, or Firm*—Foley & Lardner

(57) **CLAIM**

The ornamental design for a set of tables, substantially as shown and described.

**DESCRIPTION**

FIG. 1 is a perspective view of the set of tables according to an exemplary embodiment.

FIG. 2 is a top plan view.

FIG. 3 is a rear elevation view.

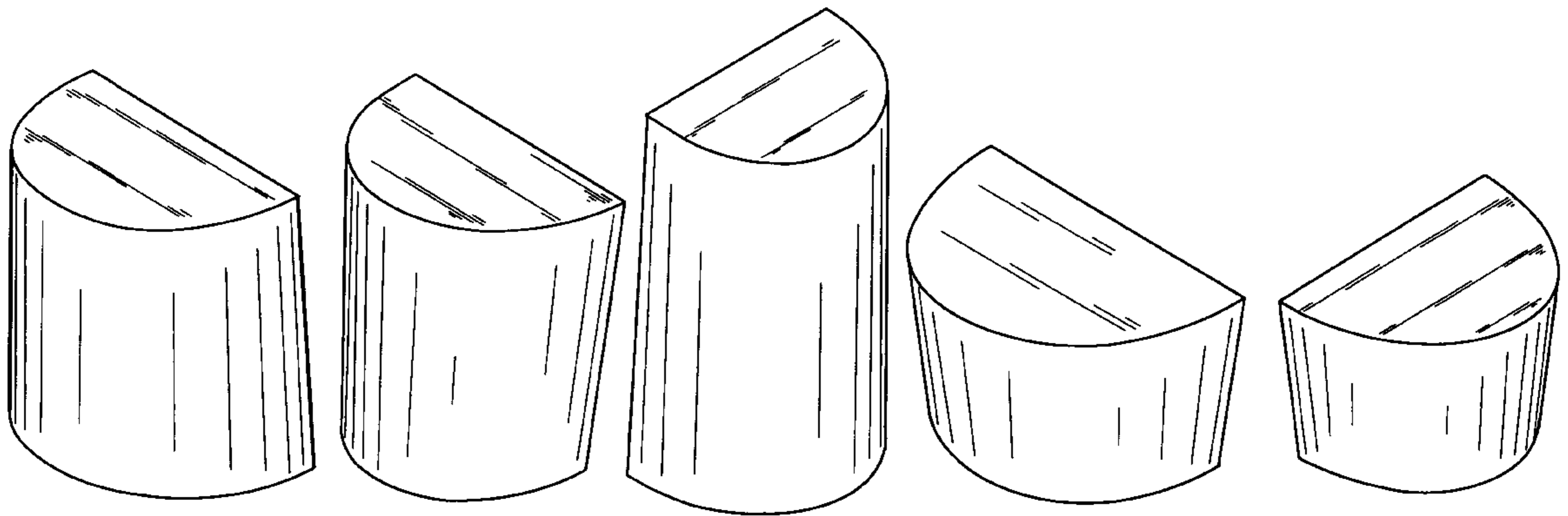
FIG. 4 is a side elevation view.

FIG. 5 is a front elevation view; and,

FIG. 6 is a bottom plan view.

Any broken line disclosure is for illustrative purposes only and forms no part of the claimed design. The relative arrangement and positioning of each table in the set of tables as shown in the FIGURES is for illustrative purposes only and forms no part of the claimed design.

**1 Claim, 6 Drawing Sheets**



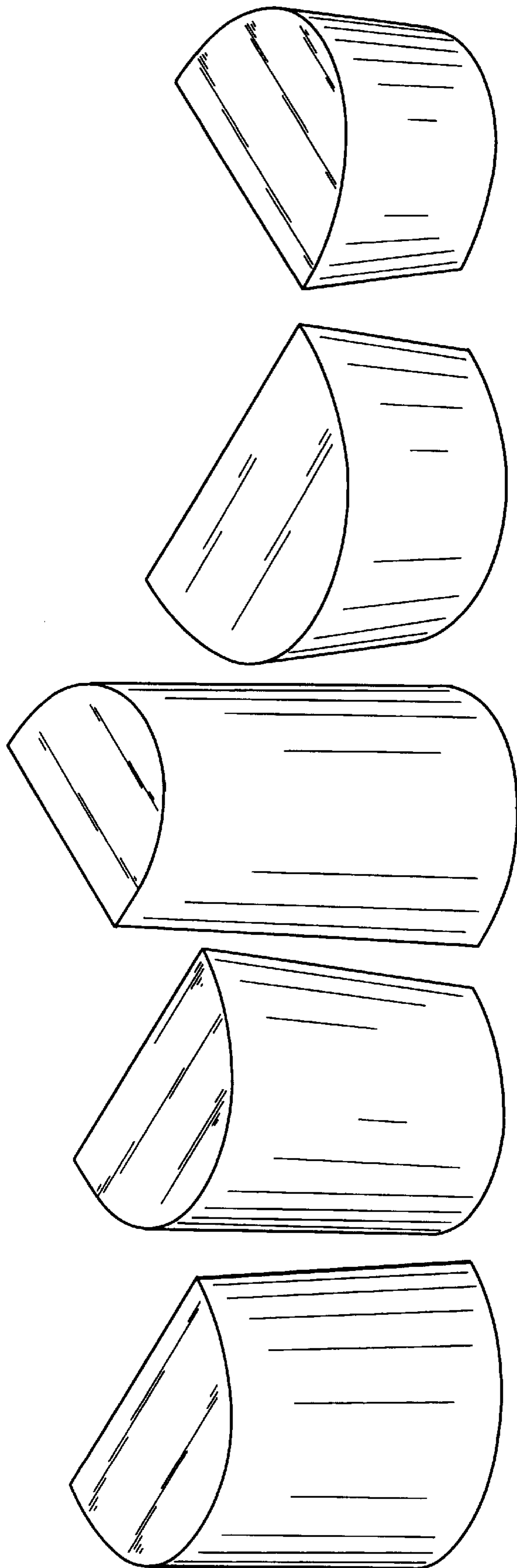


FIG. 1

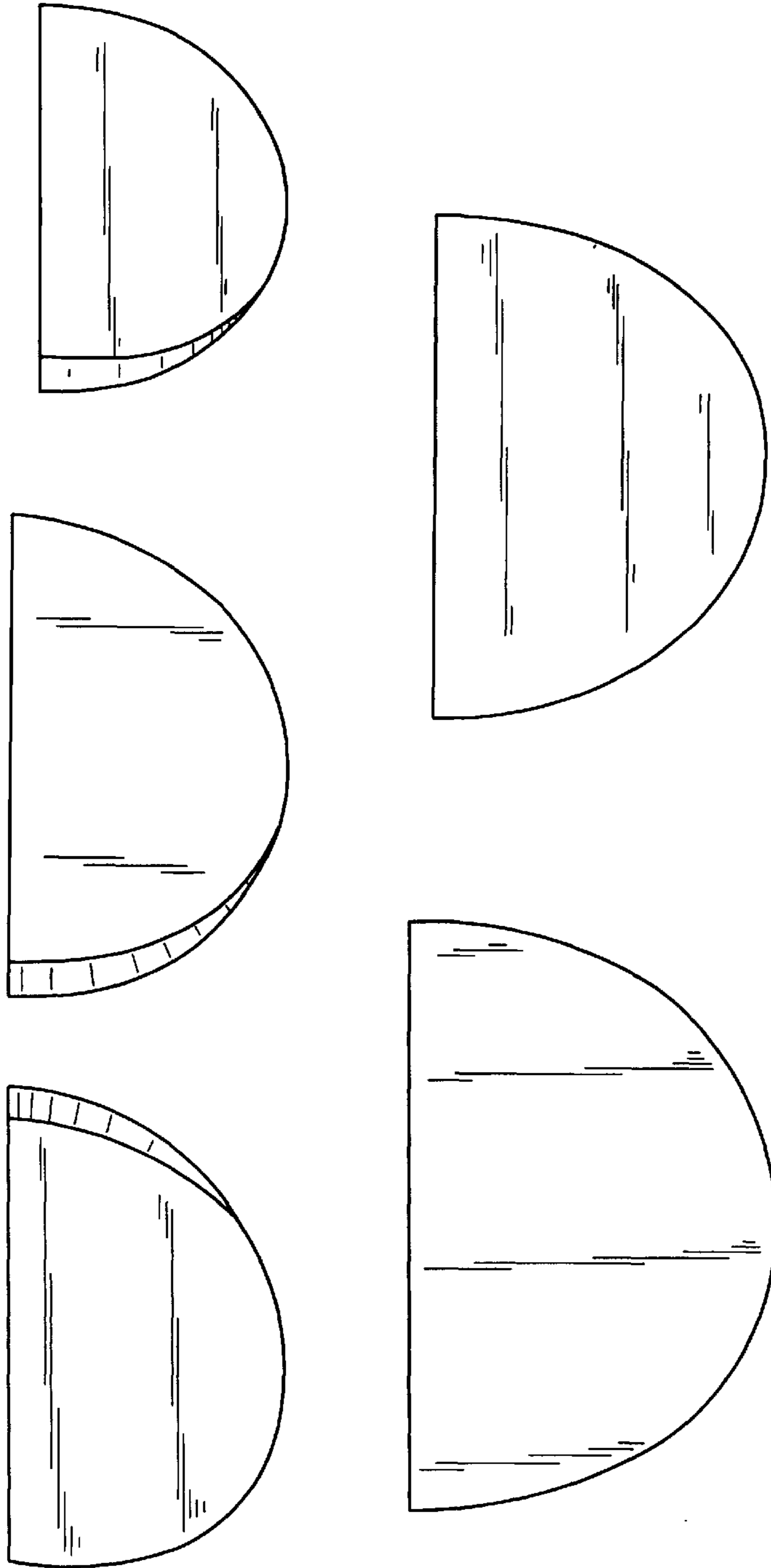


FIG. 2

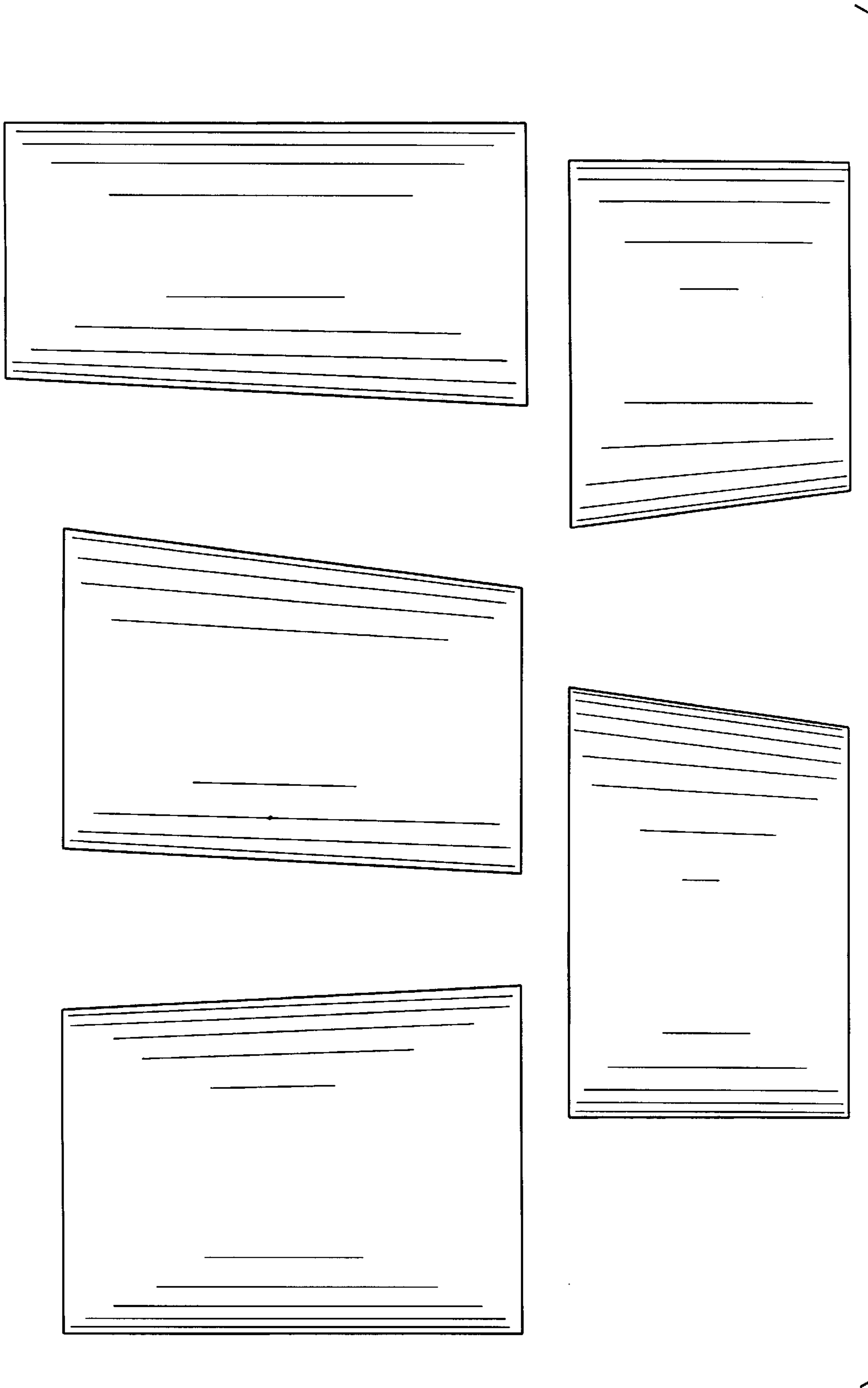


FIG. 3

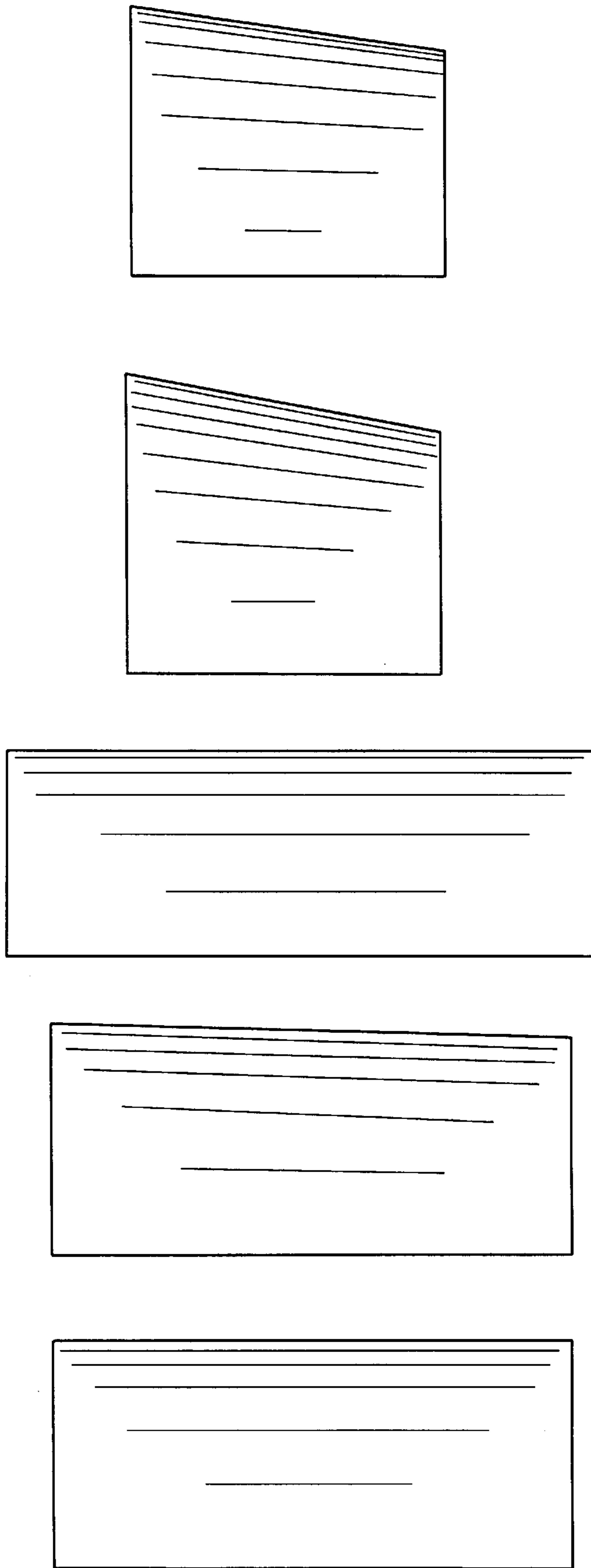


FIG. 4

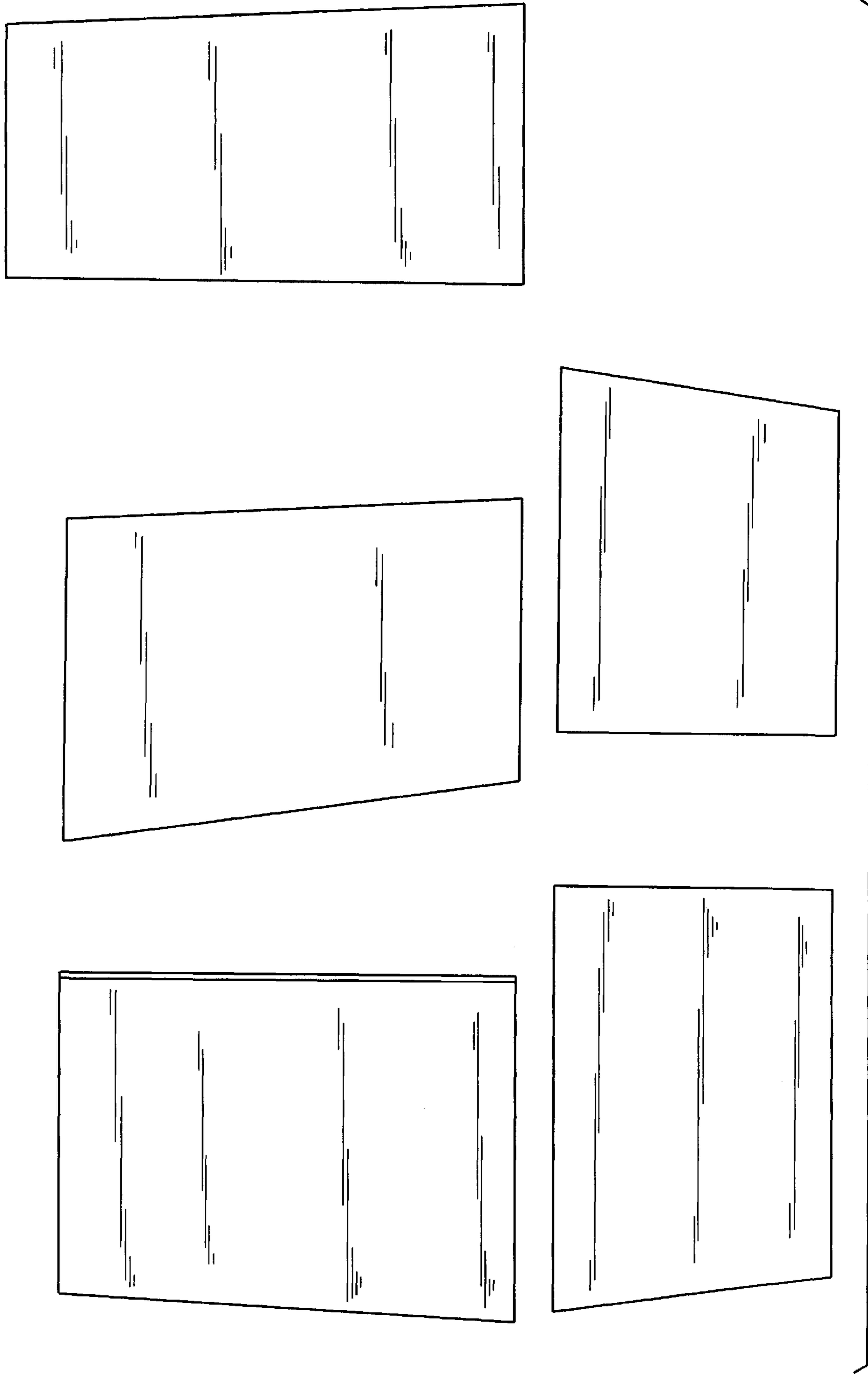


FIG. 5

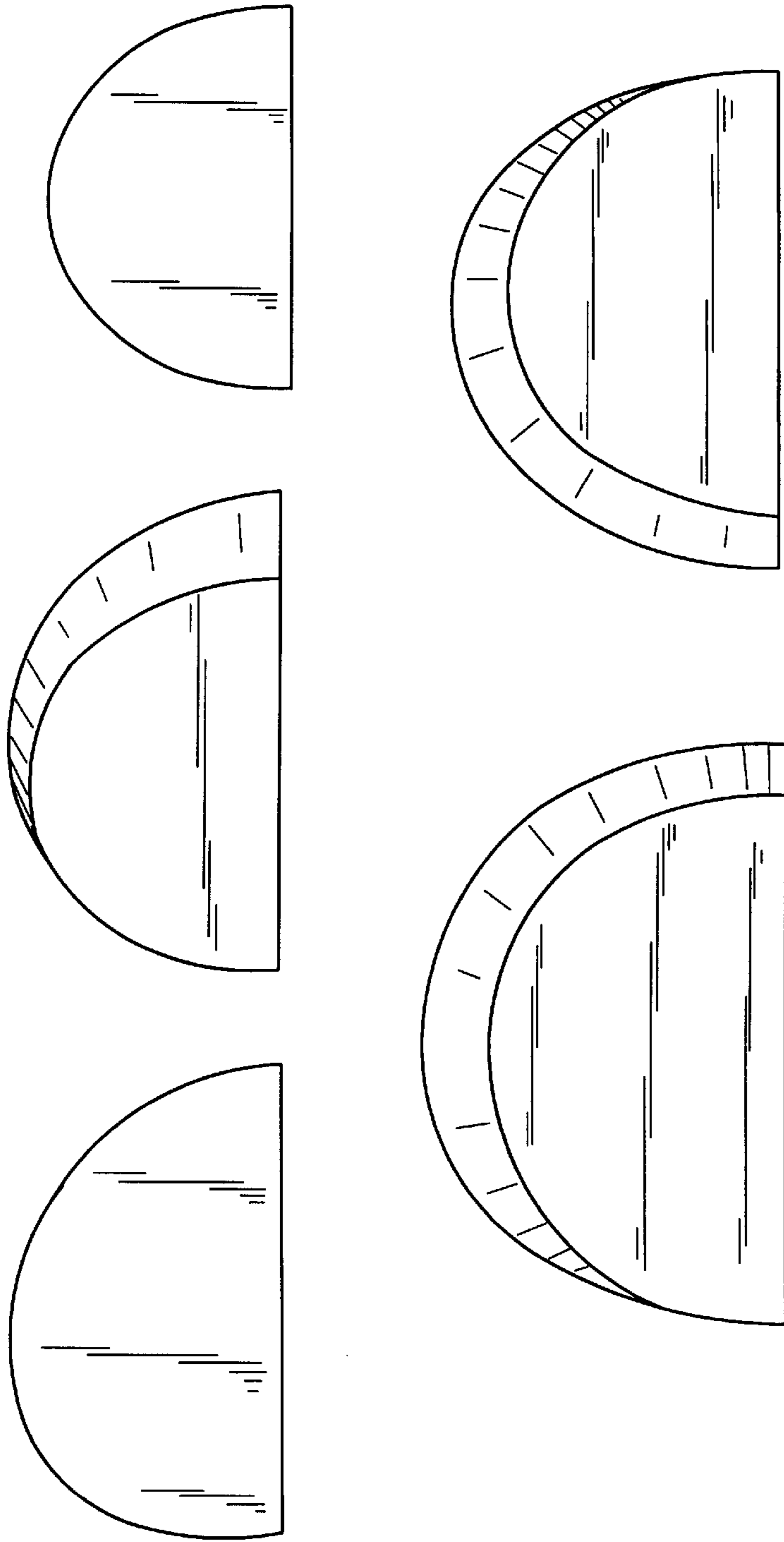


FIG. 6