



US00D439443S

(12) **United States Design Patent**
Nadon

(10) **Patent No.:** **US D439,443 S**

(45) **Date of Patent:** **** Mar. 27, 2001**

(54) **READY TO ASSEMBLE MODULAR STORAGE UNIT**

6,062,401 * 5/2000 Hall et al. 211/187

(76) **Inventor:** **Robert L. Nadon**, RR # 1, Owen Sound, Ontario (CA), N4K 5N3

(**) **Term:** **14 Years**

(21) **Appl. No.:** **29/118,891**

(22) **Filed:** **Feb. 18, 2000**

(51) **LOC (7) Cl.** **06-04**

(52) **U.S. Cl.** **D6/465**

(58) **Field of Search** D6/329, 396, 397, D6/403, 405, 407, 449, 458, 462, 465, 474-479, 490, 491, 509-511; D3/304, 313, 314; 108/91, 155, 180, 181, 186, 187; 211/134, 188-189, 191, 194, 182; 312/107, 108, 111; 217/6, 7, 10, 11, 12 R, 36, 40, 43 R

(56) **References Cited**

U.S. PATENT DOCUMENTS

211,093	*	1/1879	Henry	217/14
D. 232,340	*	8/1974	Lax	D7/708
D. 233,872	*	12/1974	Jester	D6/484
D. 255,853	*	7/1980	Tome	D6/436
D. 260,837	*	9/1981	Tome	D6/436
D. 273,066	*	3/1984	Kneale, III	D6/462
925,799	*	6/1909	Boyd	217/36
1,983,436	*	12/1934	Brunaa	217/12 R
2,960,238	*	11/1960	Park	211/134
3,612,289	*	10/1971	Zink	108/180
4,321,873	*	3/1982	Nealis	108/91

OTHER PUBLICATIONS

Spiegel Spring 1983, p. 350: items A, B and C.*

* cited by examiner

Primary Examiner—Catherine Tuttle

(74) *Attorney, Agent, or Firm*—Bereskin & Parr

(57) **CLAIM**

The ornamental design for a ready to assemble modular storage unit, as shown and described.

DESCRIPTION

FIG. 1 is a top, front and right side perspective view of a ready to assemble modular storage unit showing my new design;

FIG. 2 is a bottom and rear perspective view thereof;

FIG. 3 is a front elevational view thereof;

FIG. 4 is a rear elevational view thereof;

FIG. 5 is a left side elevational view thereof;

FIG. 6 is a right side elevational view thereof;

FIG. 7 is a top plan view thereof;

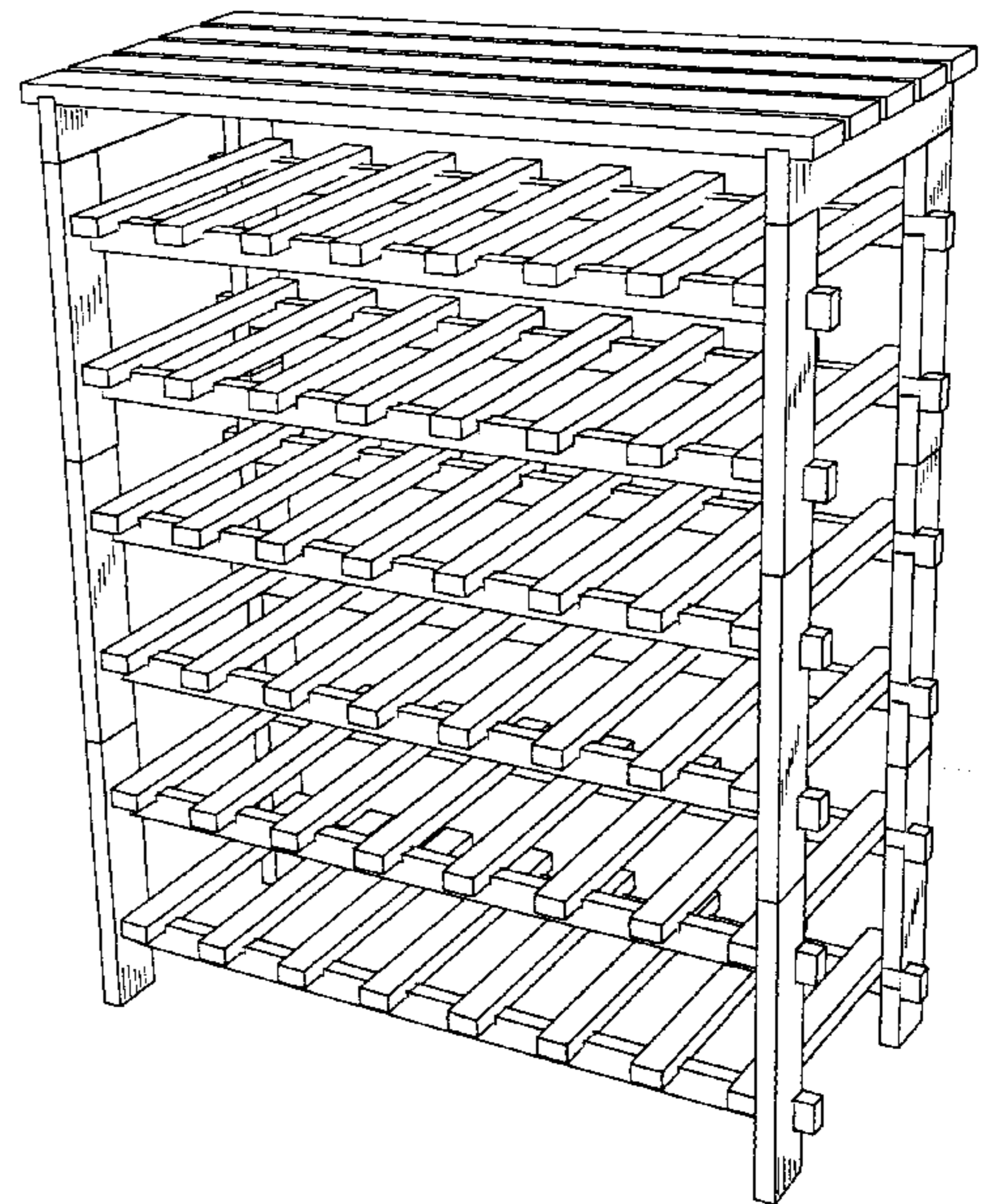
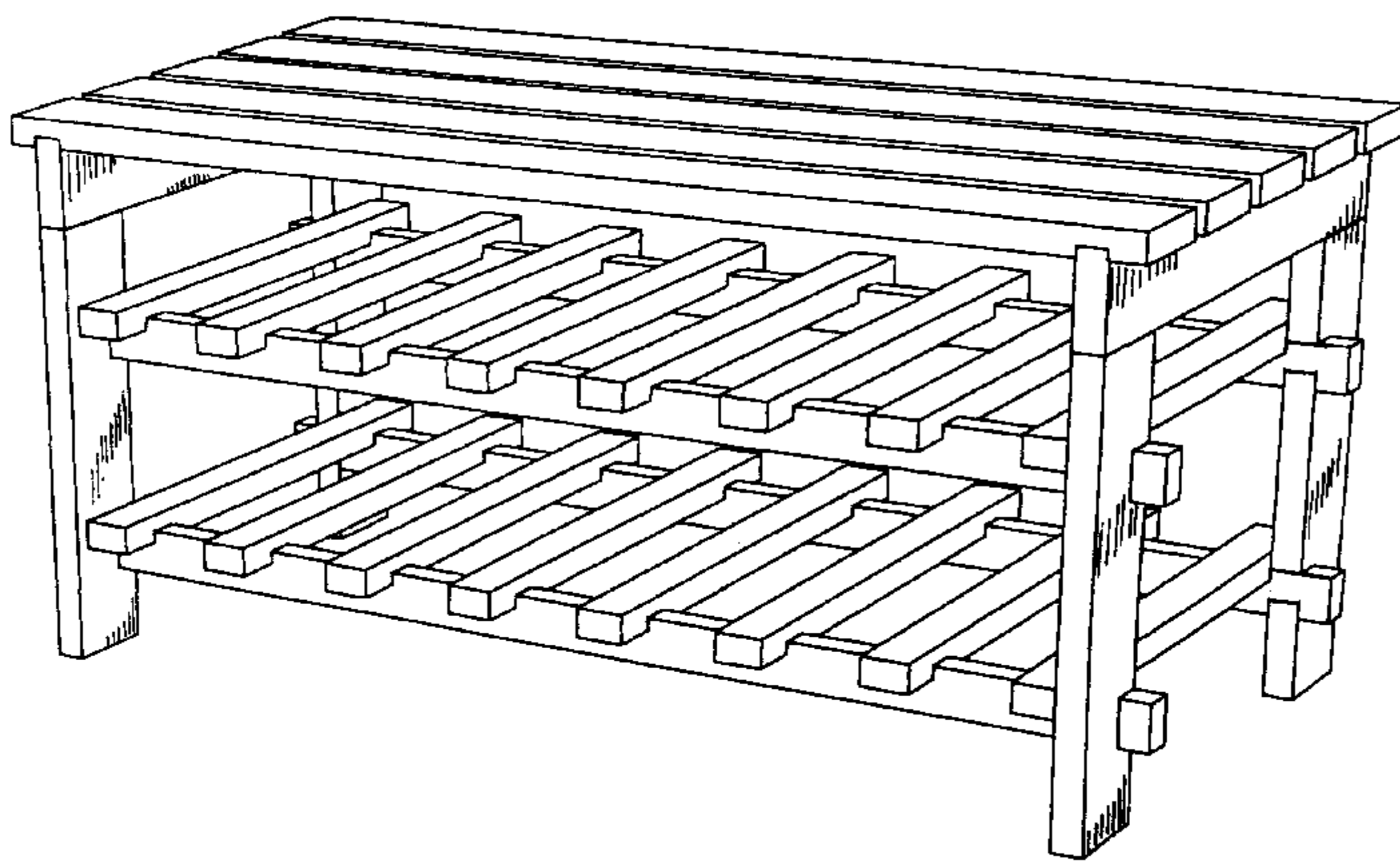
FIG. 8 is a bottom plan view thereof;

FIG. 9 is an enlarged fragmentary view of the lower left and front portions of FIG. 1;

FIG. 10 is an enlarged fragmentary view of the lower left portions of FIG. 2; and,

FIG. 11 is a top, front and right side perspective view of a second embodiment of my new design.

1 Claim, 8 Drawing Sheets



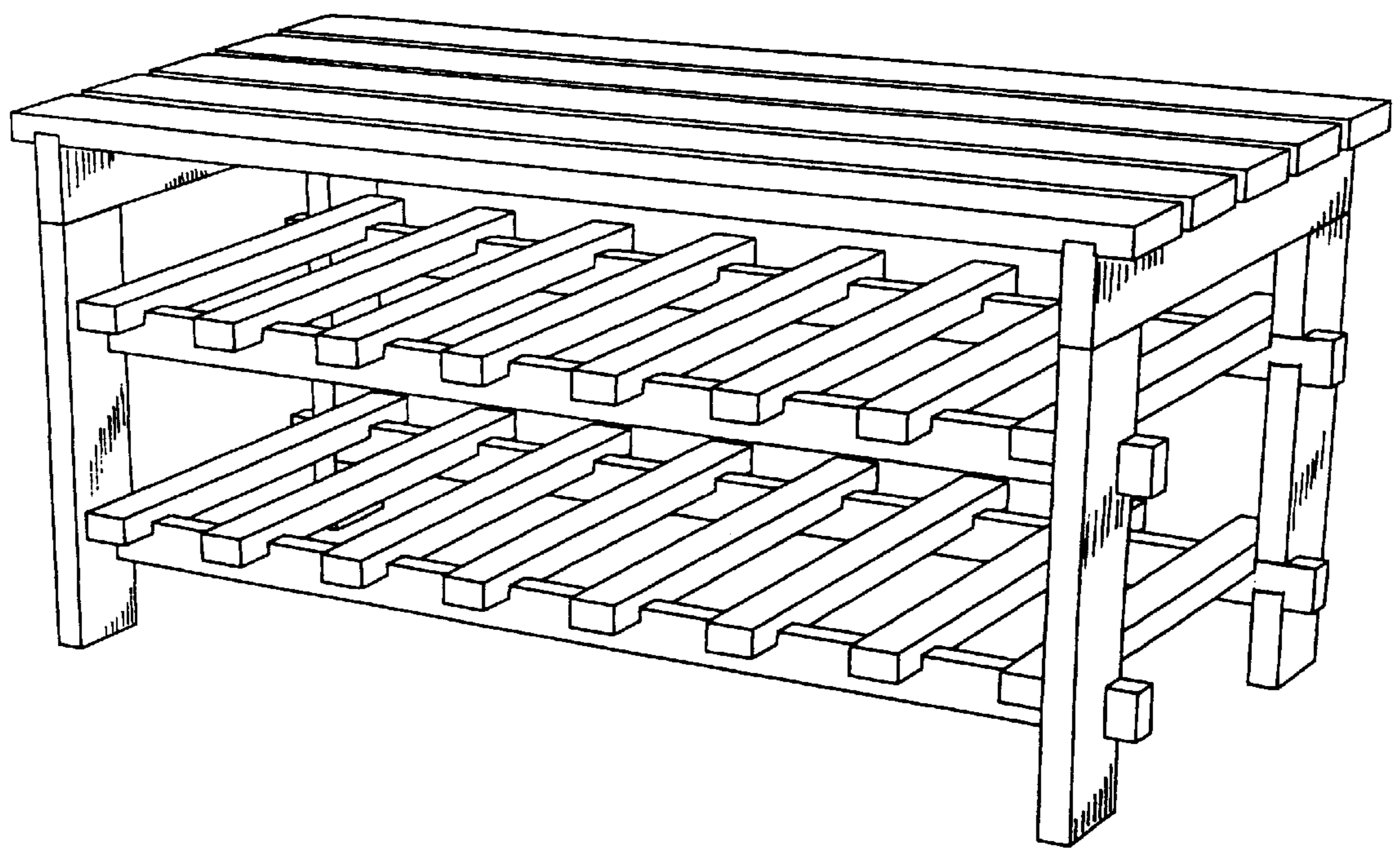


Fig. 1

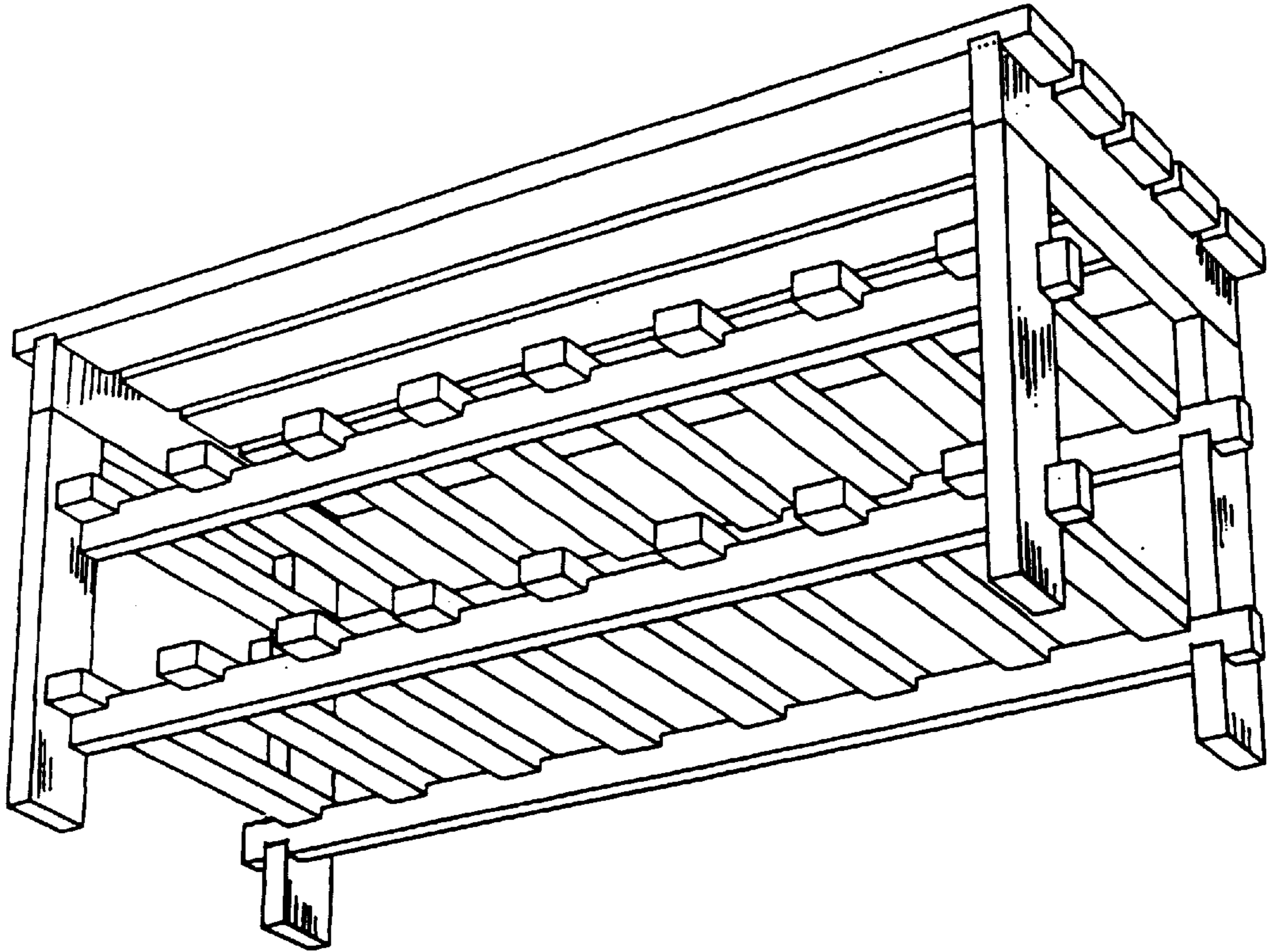


Fig. 2

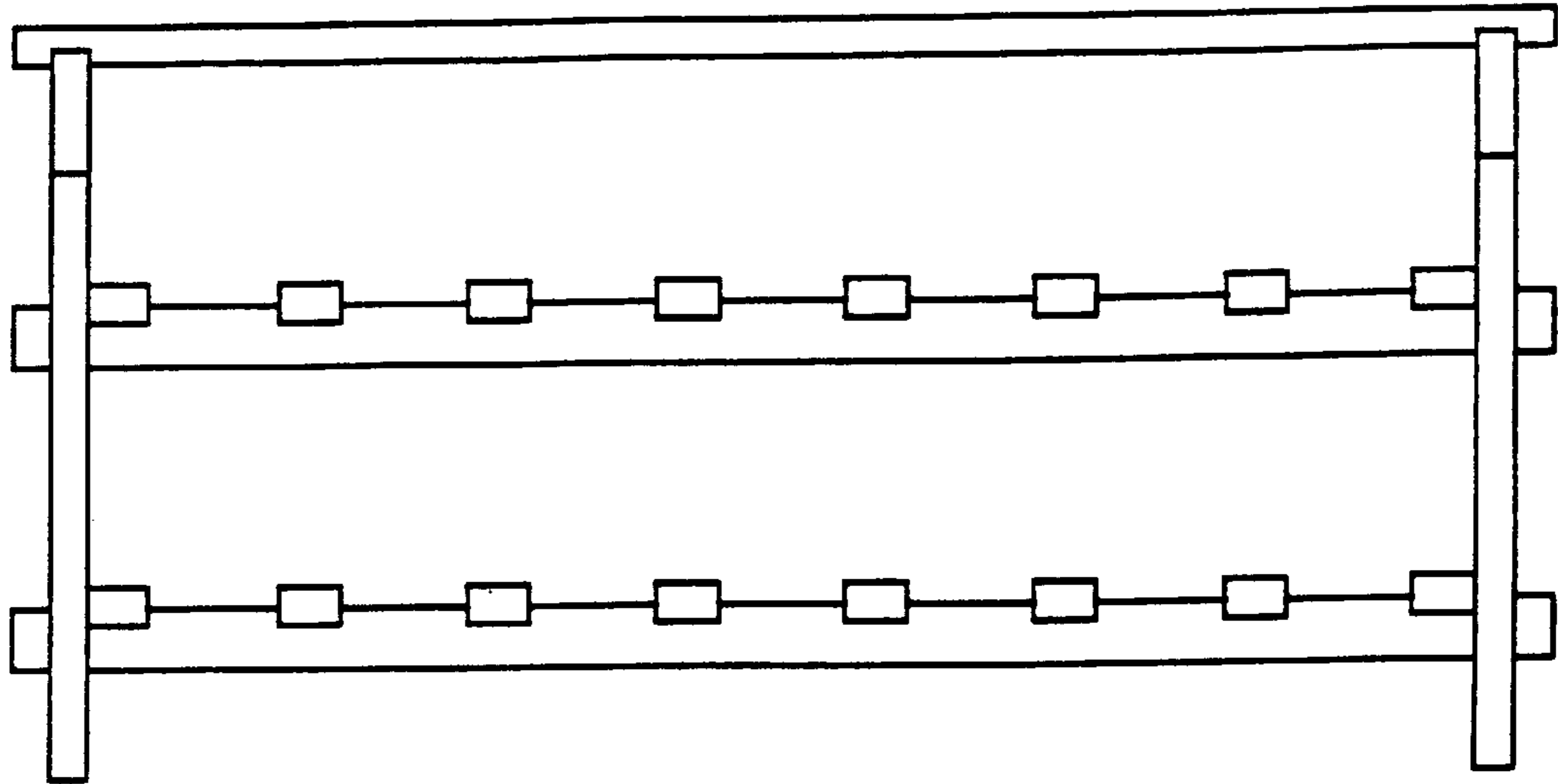


Fig. 3

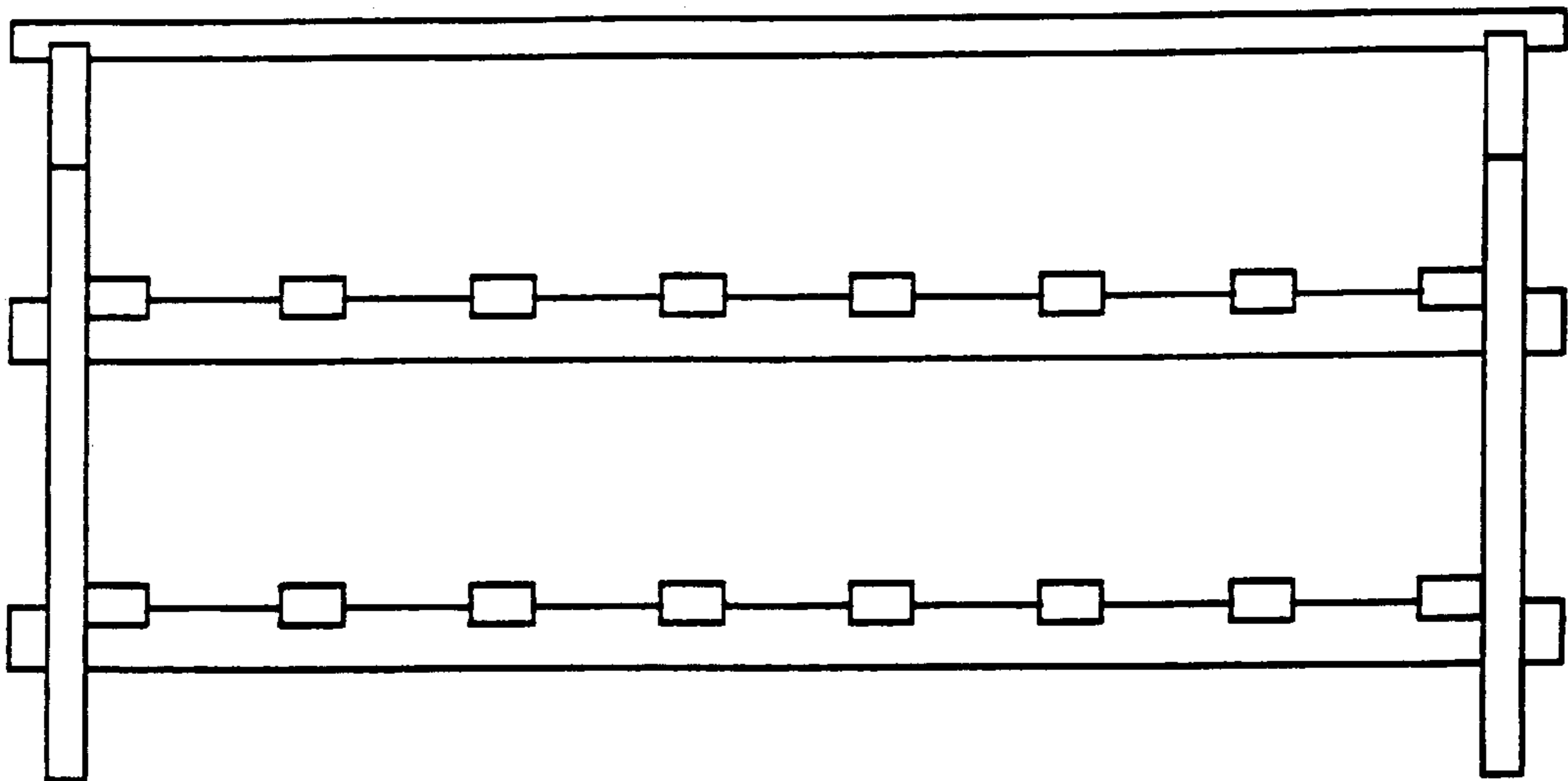


Fig. 4

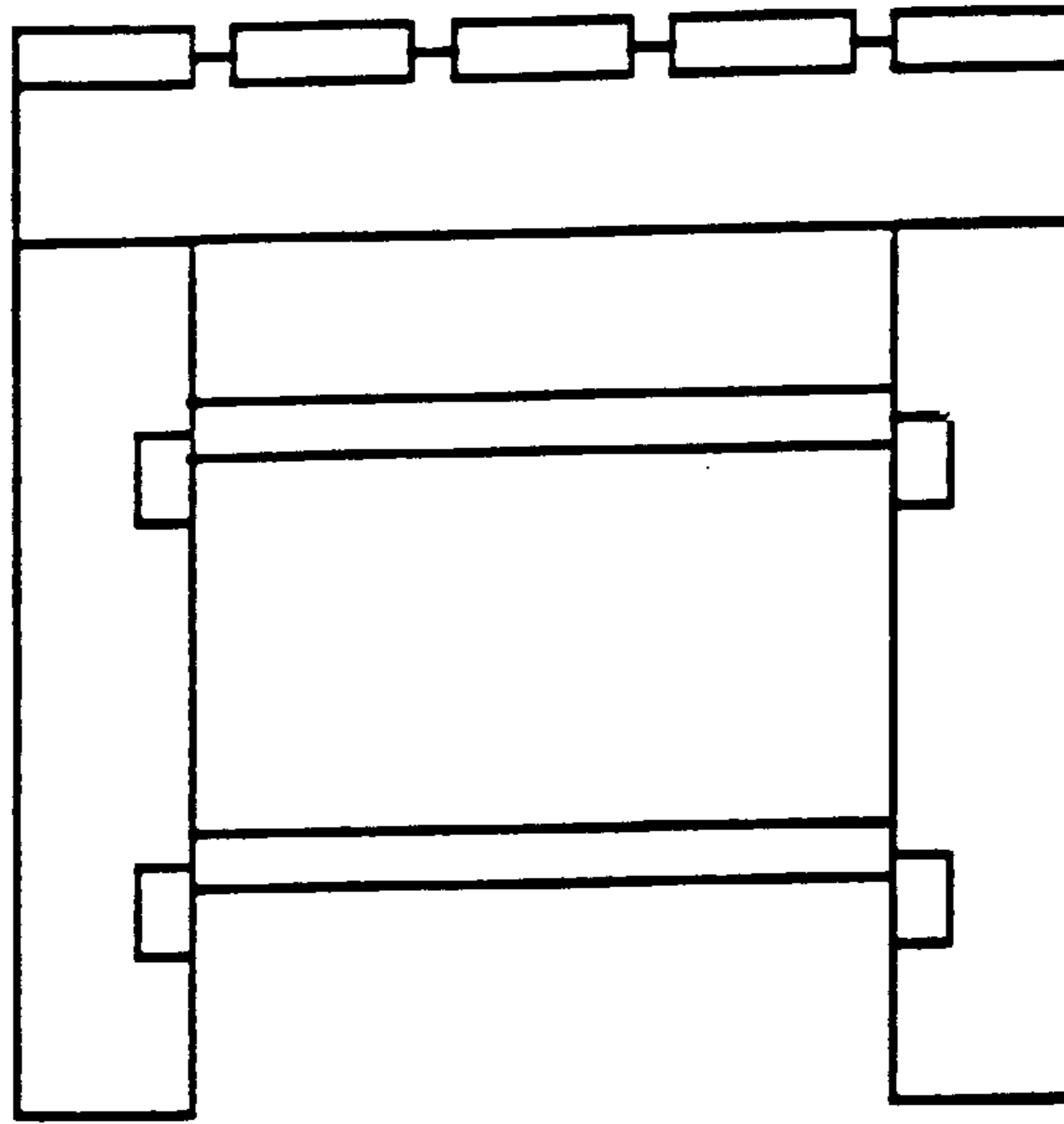


Fig. 5

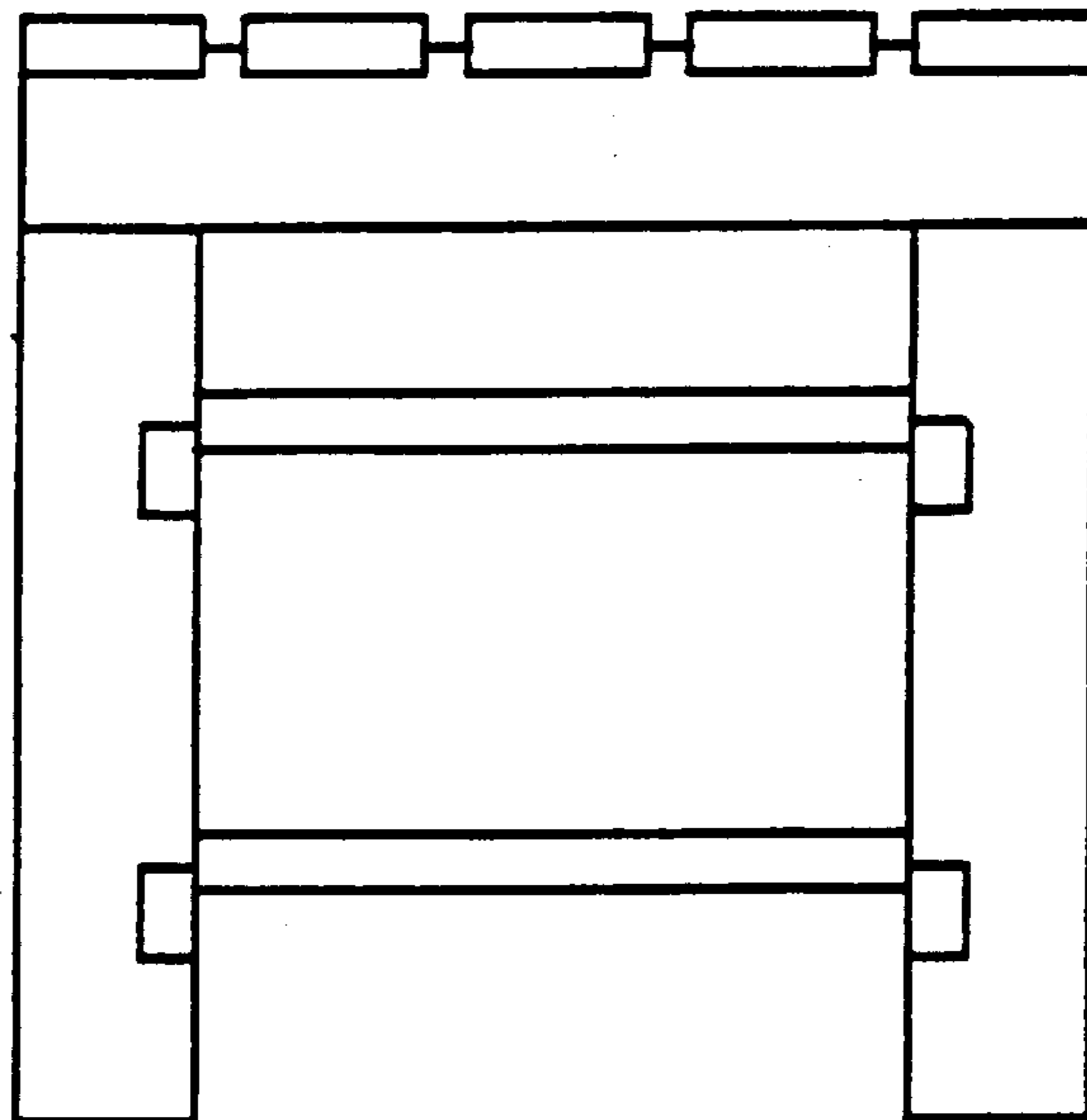


Fig. 6

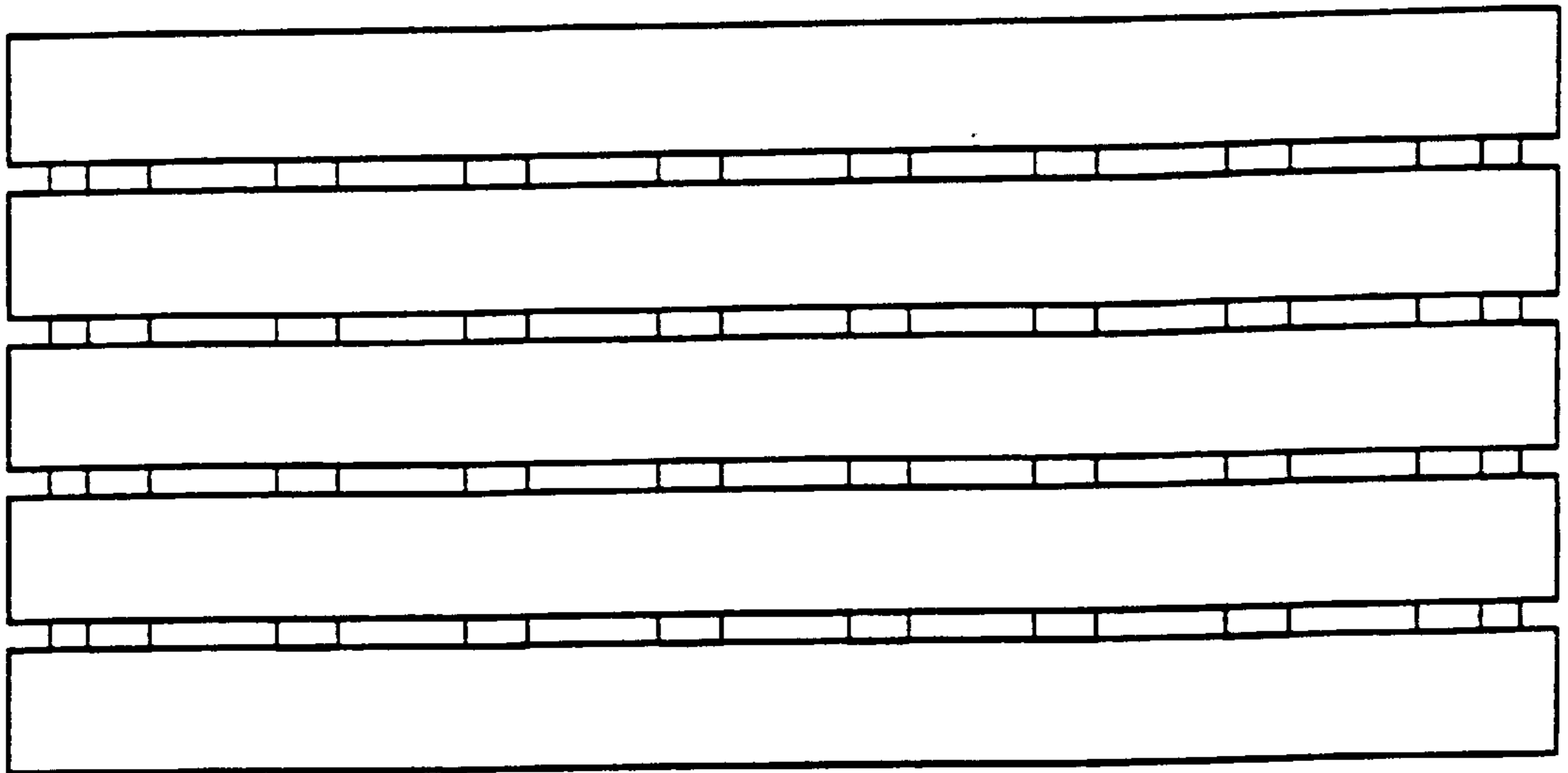


Fig. 7

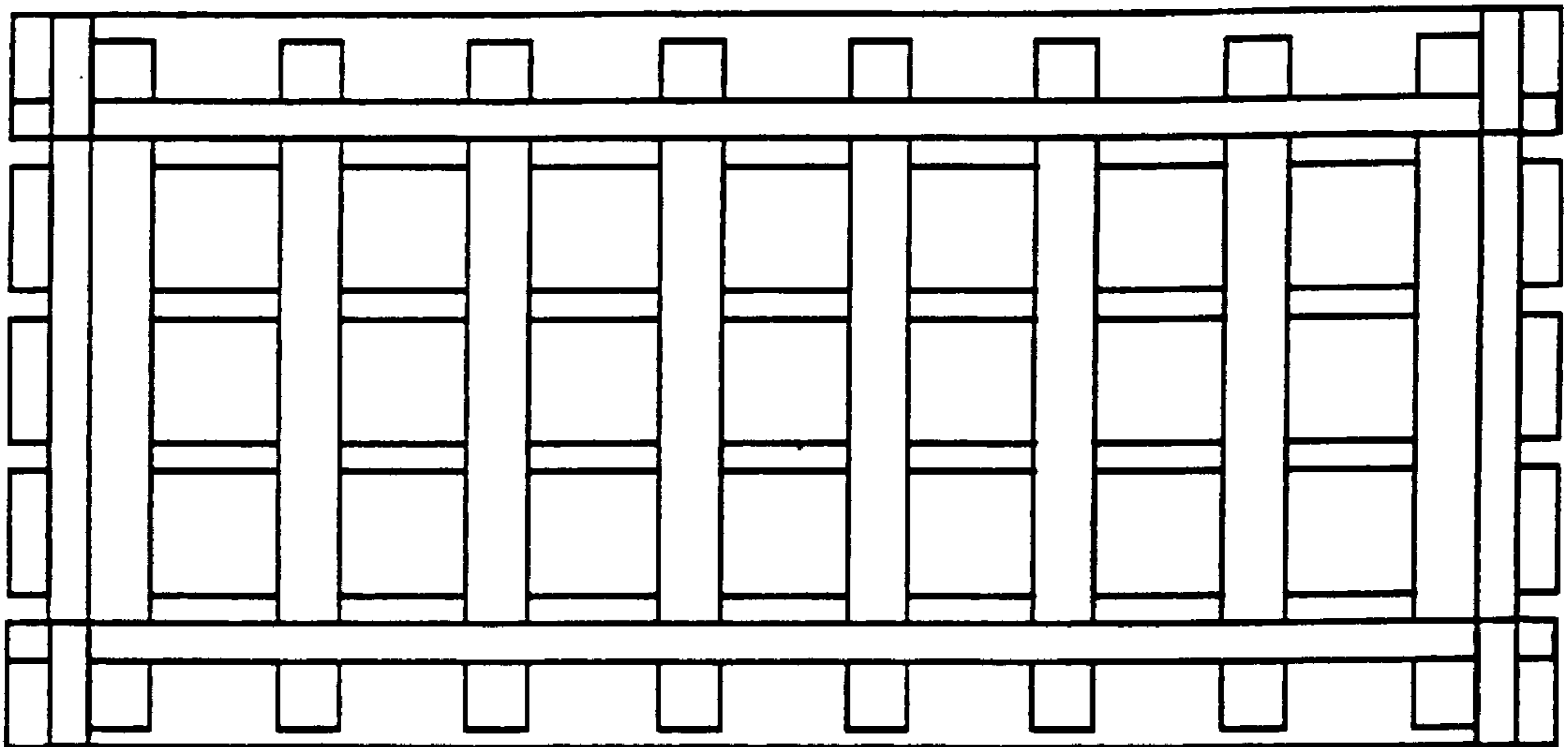


Fig. 8

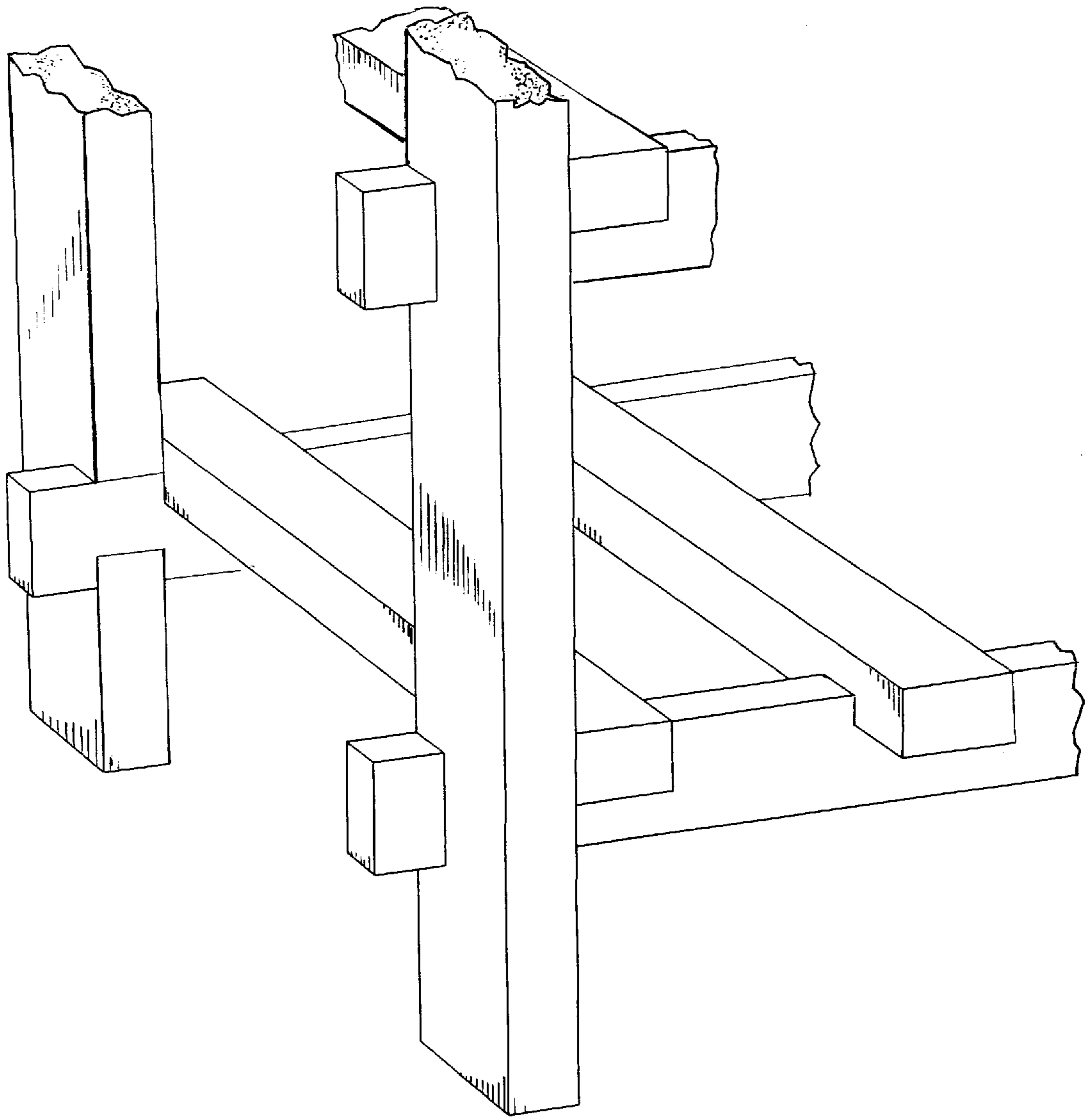


Fig. 9

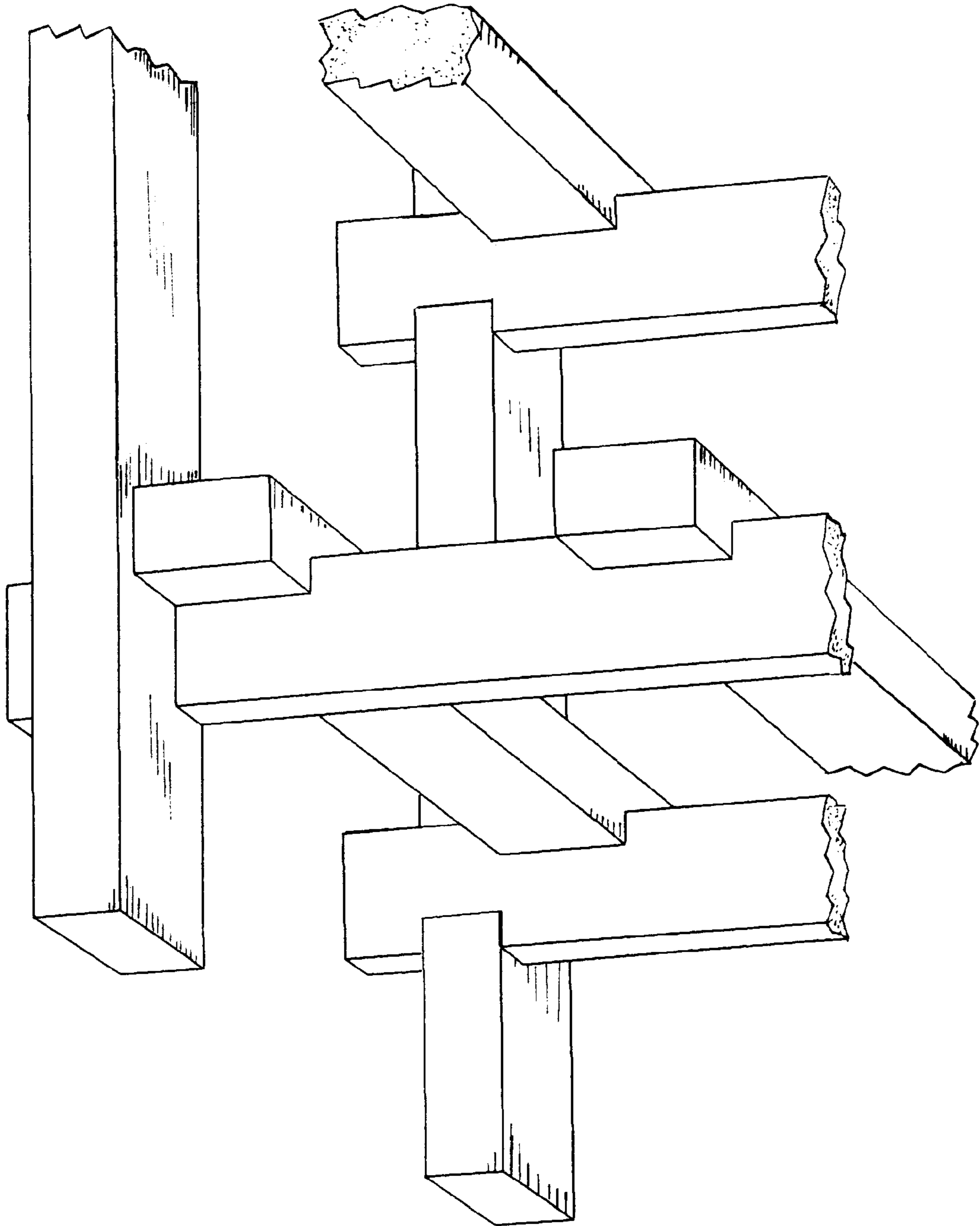


Fig. 10

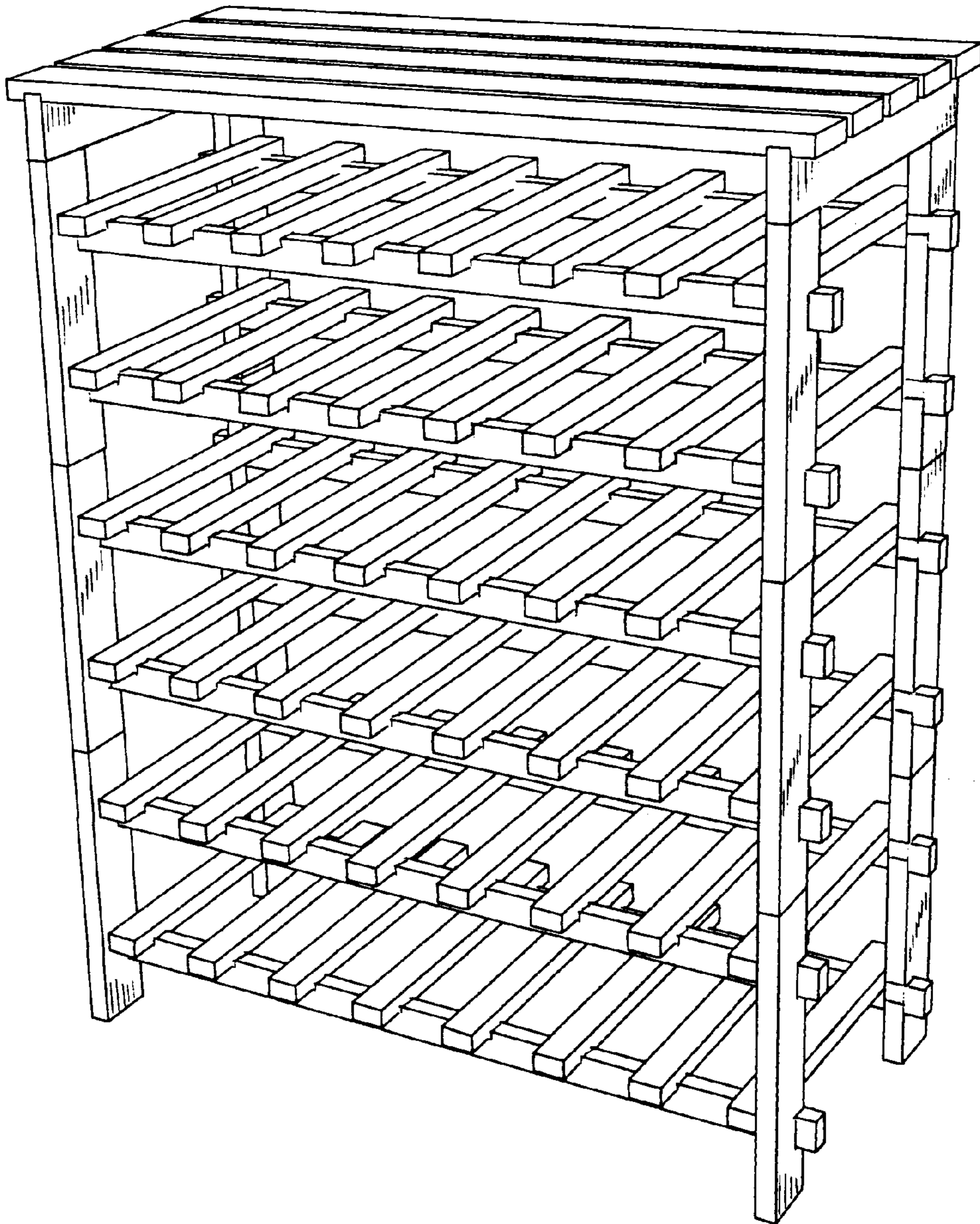


Fig. 11