



US00D439442S

(12) **United States Design Patent**
Adams

(10) **Patent No.:** **US D439,442 S**

(45) **Date of Patent:** **** Mar. 27, 2001**

(54) **STAND WITH HANGERS FOR SUSPENDING ARTICLES**

(76) Inventor: **Brian Adams**, 10627 N. 15th La.,
Phoenix, AZ (US) 85029

(**) Term: **14 Years**

(21) Appl. No.: **29/095,862**

(22) Filed: **Oct. 30, 1998**

(51) **LOC (7) Cl.** **06-04**

(52) **U.S. Cl.** **D6/458**

(58) **Field of Search** D6/411-416, 462-468,
D6/455, 458; 211/85.3, 33; 248/519, 121,
125.8, 161, 157, 163.1

(56) **References Cited**

U.S. PATENT DOCUMENTS

D. 156,022	*	11/1949	Mannheimer	D6/411
D. 174,739	*	5/1955	Crockett, Jr.	D6/414
D. 175,139	*	7/1955	Allen	D6/412
D. 179,820	*	3/1957	Reynolds	D6/414
D. 195,212	*	5/1963	Koch	D6/414
D. 241,790	*	10/1976	Longen	D6/458
D. 298,193	*	10/1988	Carlson	D6/462
D. 389,338	*	1/1998	Vairo	D6/458
1,409,852	*	3/1922	Harvey	248/163.1

* cited by examiner

Primary Examiner—Doris V. Coles

Assistant Examiner—Linda Brooks

(74) *Attorney, Agent, or Firm*—Gregory J. Nelson

(57) **CLAIM**

The ornamental design for a stand with hangers for suspending articles, as shown and described.

DESCRIPTION

FIG. 1 is a perspective view of the stand with hangers for suspending articles showing my new design;

FIG. 2 is a front elevational view of the stand with hangers for suspending articles, the rear being substantially the same;

FIG. 3 is a top view thereof;

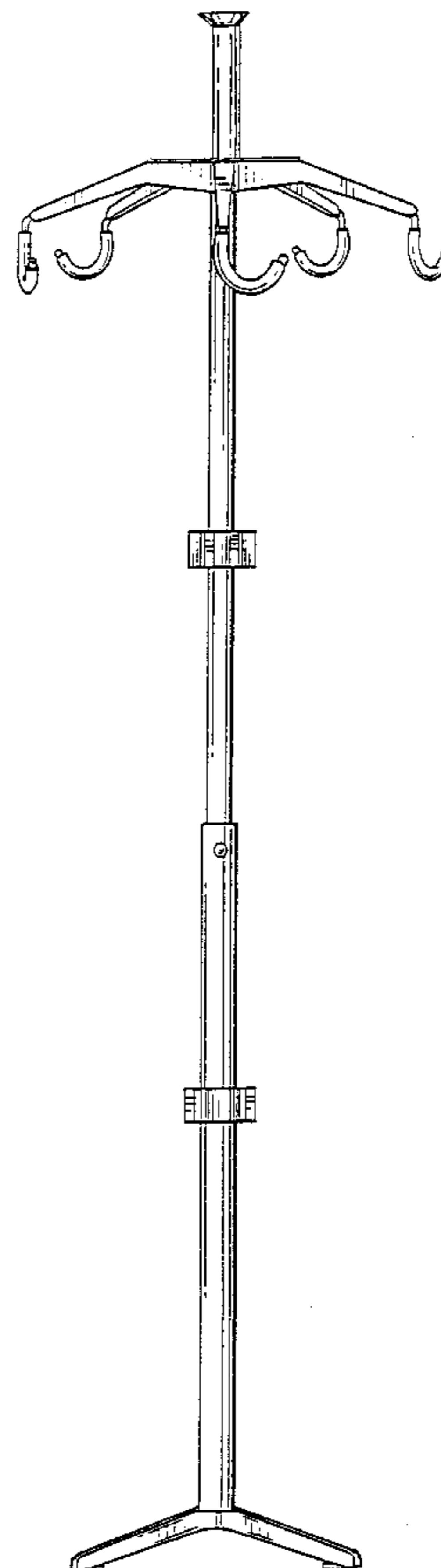
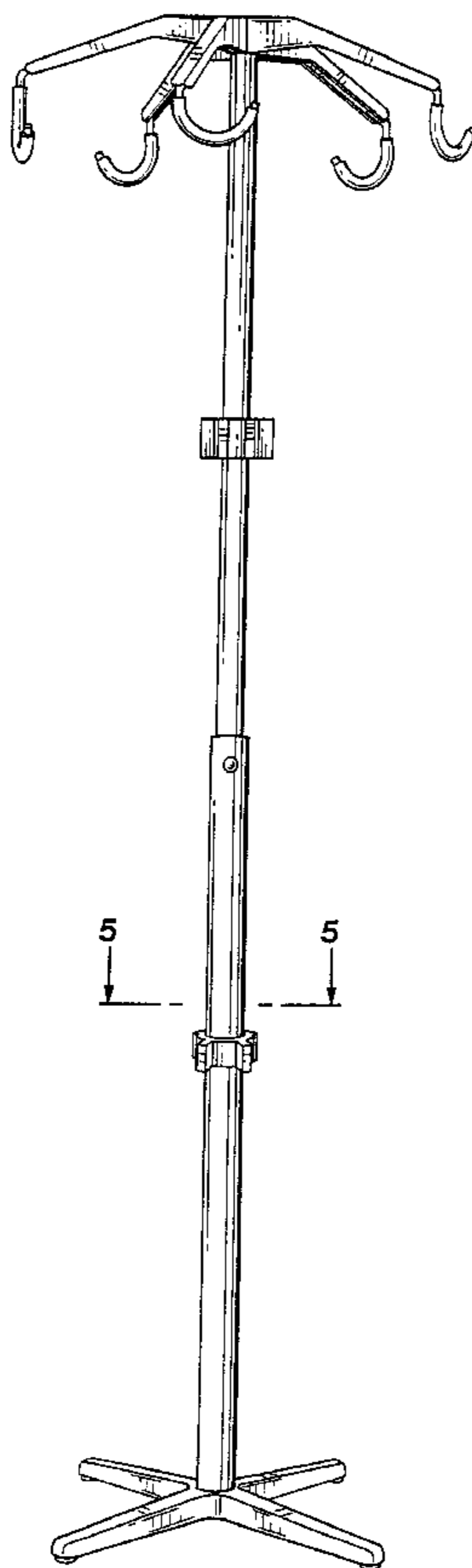
FIG. 4 is a bottom view thereof;

FIG. 5 is an enlarged sectional view taken along line 5—5 of FIG. 1;

FIG. 6 shows an alternate embodiment of FIG. 1, the differences being the lower placement of the top horizontal surface and the configuration of the center support, it being understood that the opposite side is substantially the same; and,

FIG. 7 shows yet another embodiment of FIG. 1, the only difference being the shape of the base member.

1 Claim, 3 Drawing Sheets



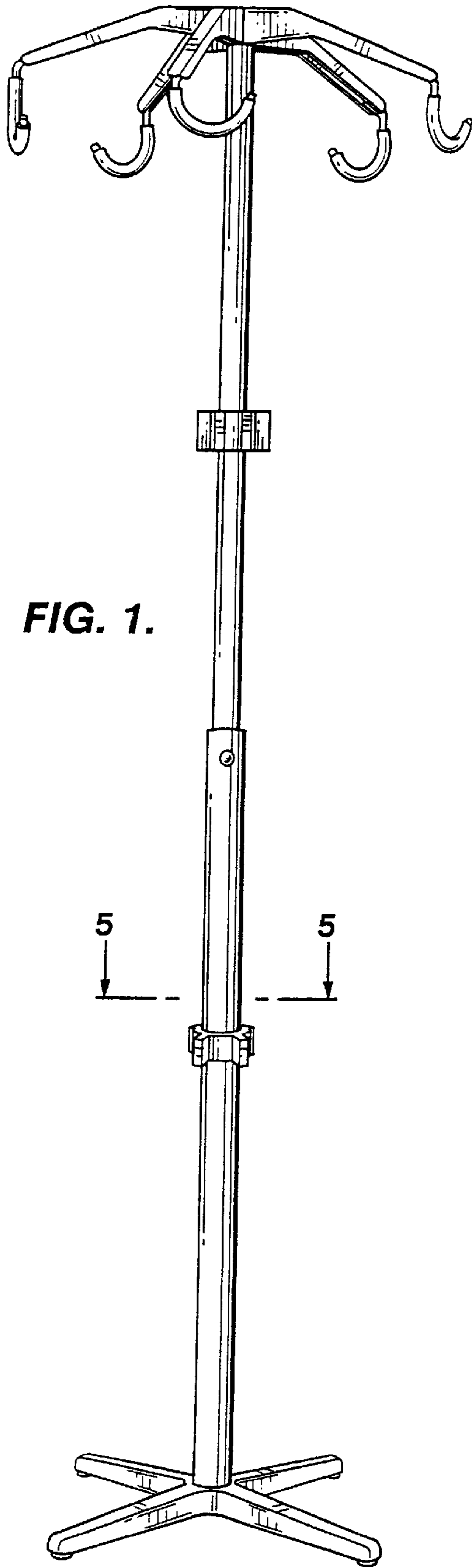


FIG. 3.

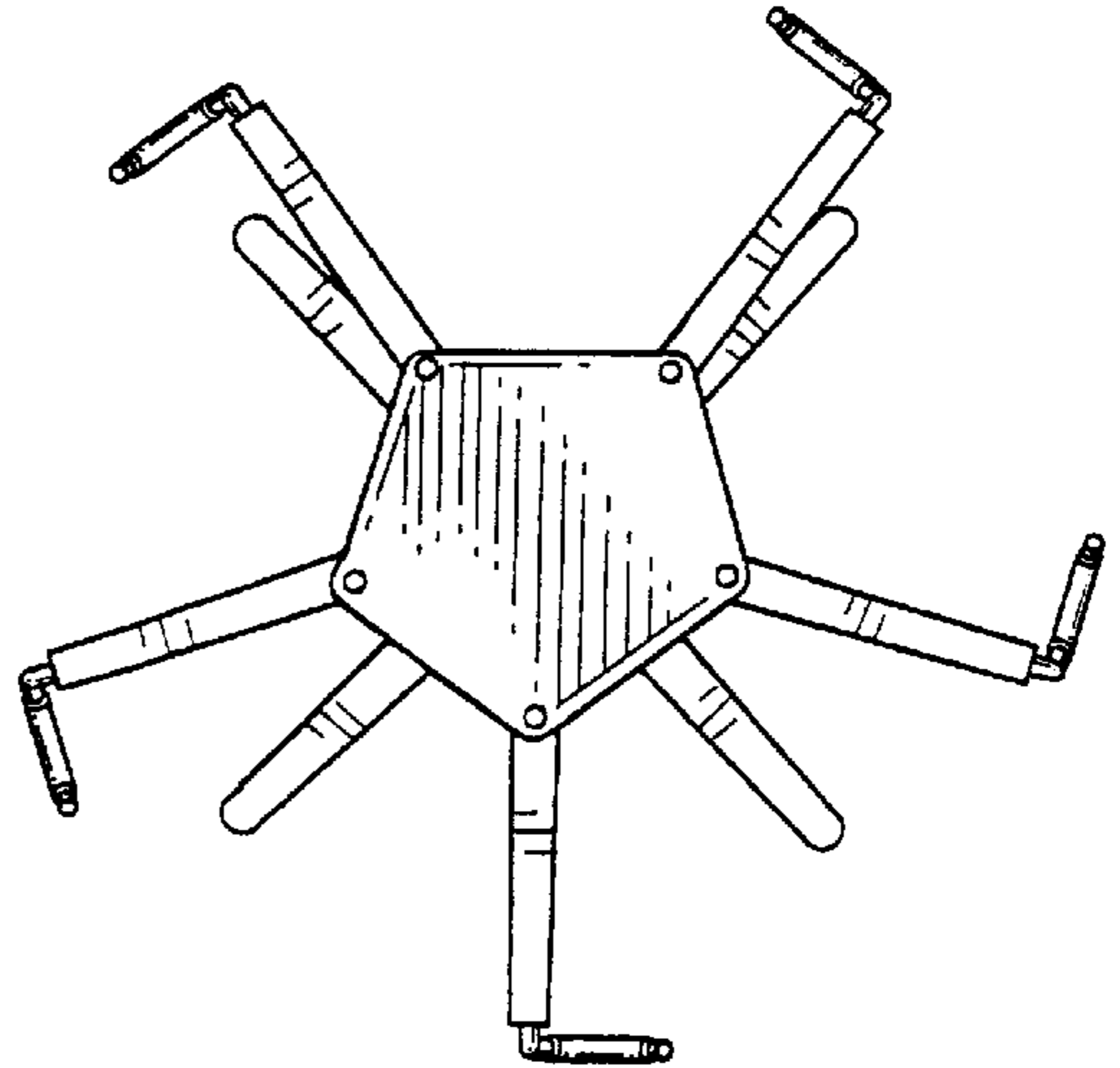
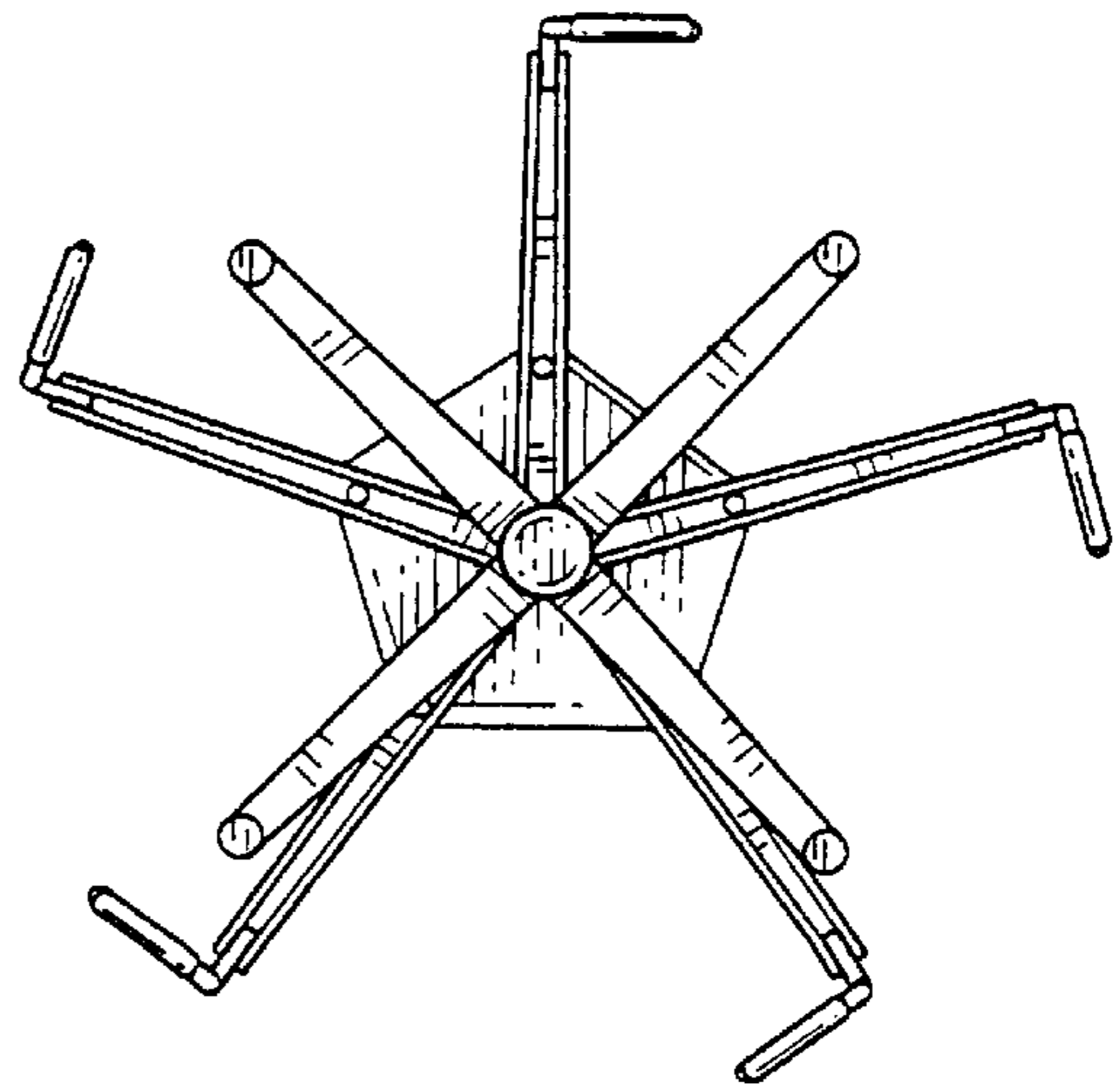


FIG. 4.



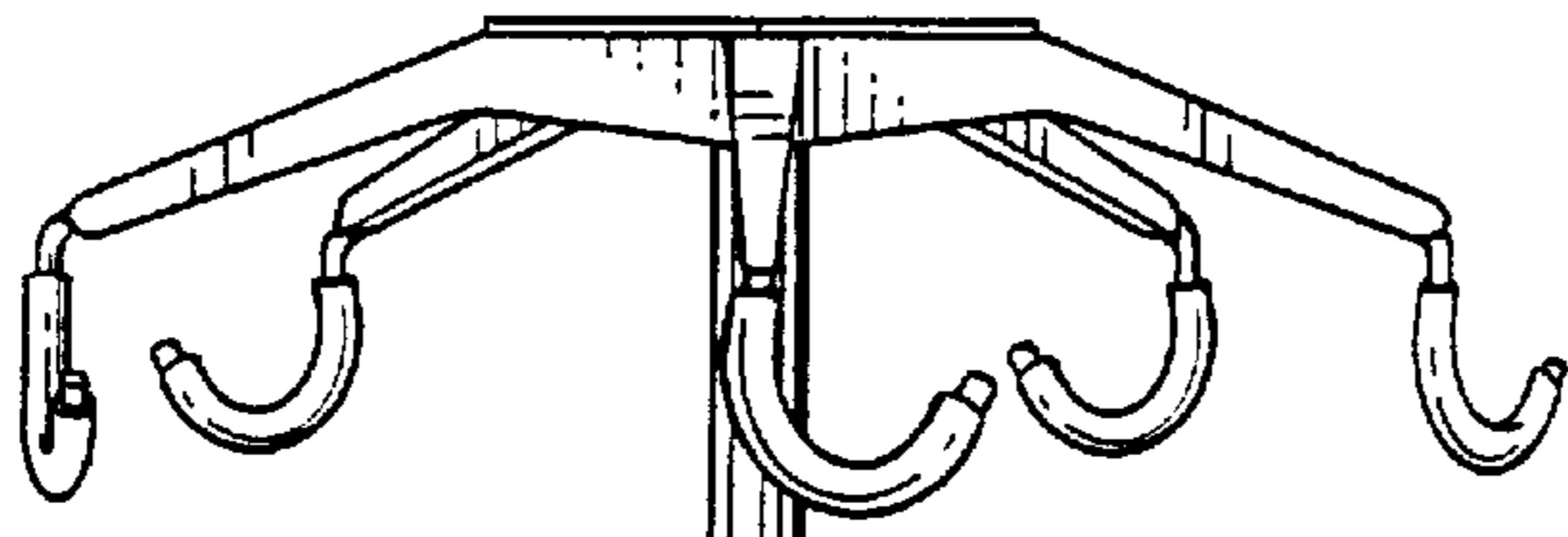


FIG. 2.

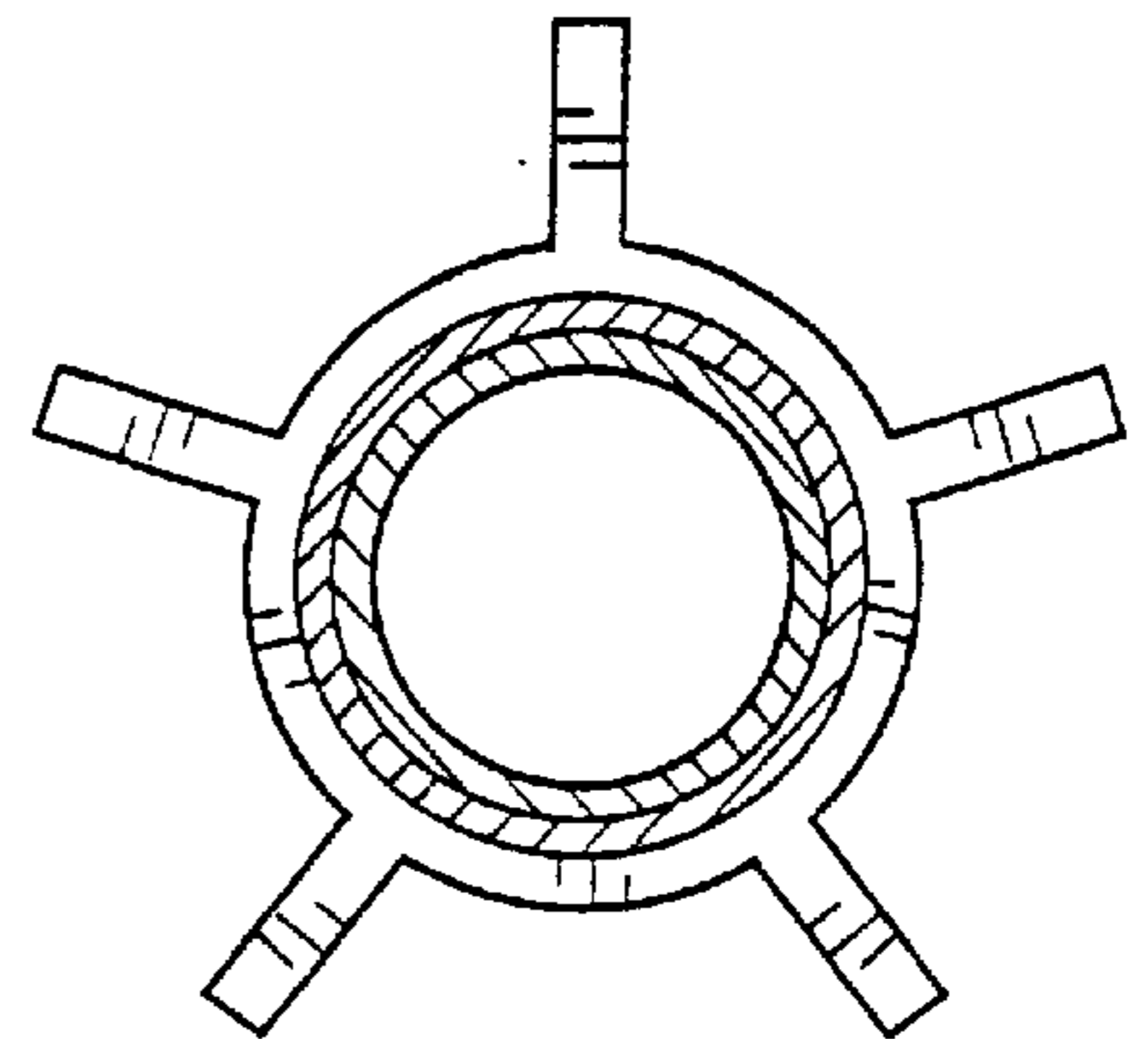
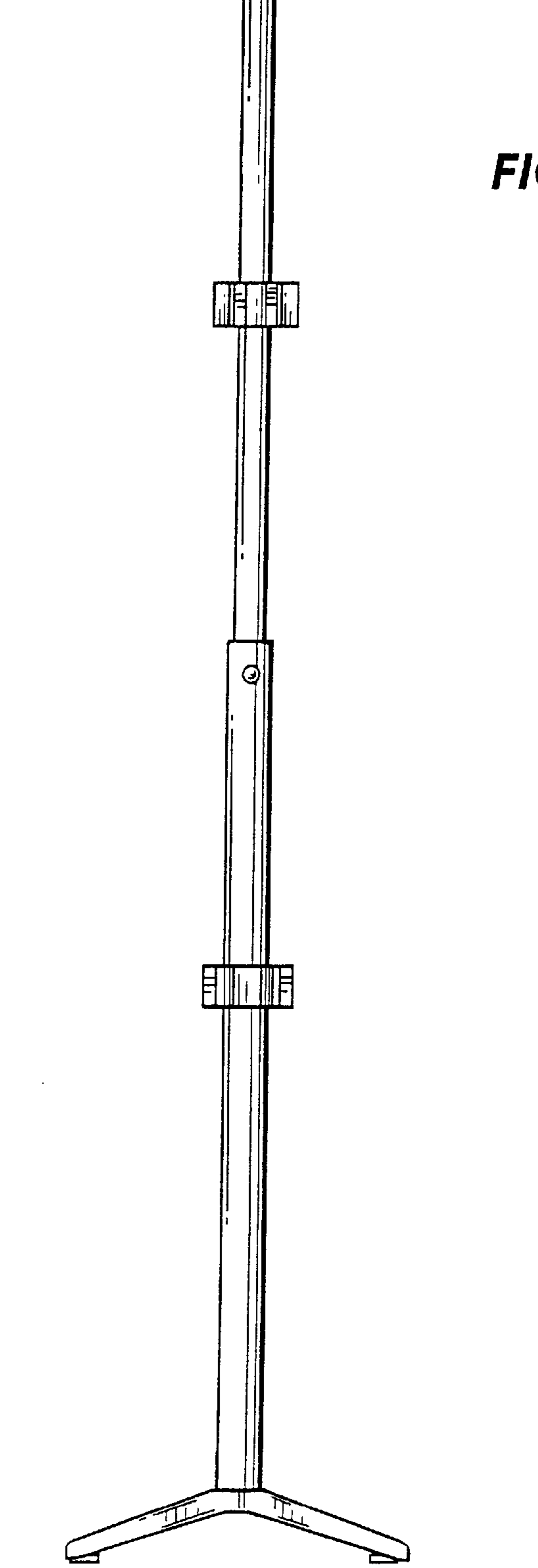


FIG. 5.

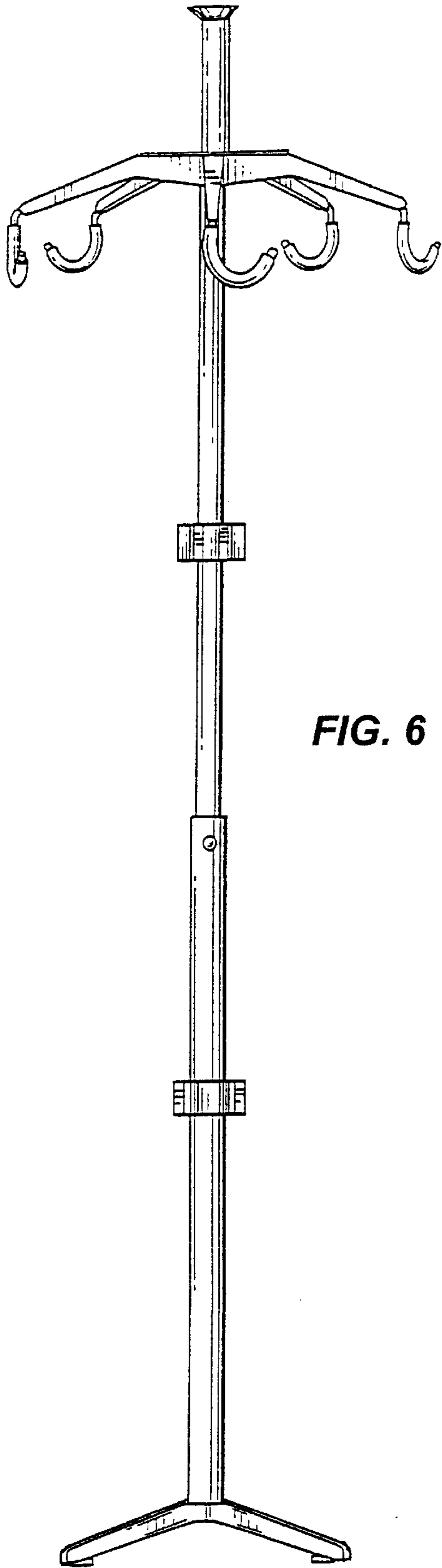


FIG. 6

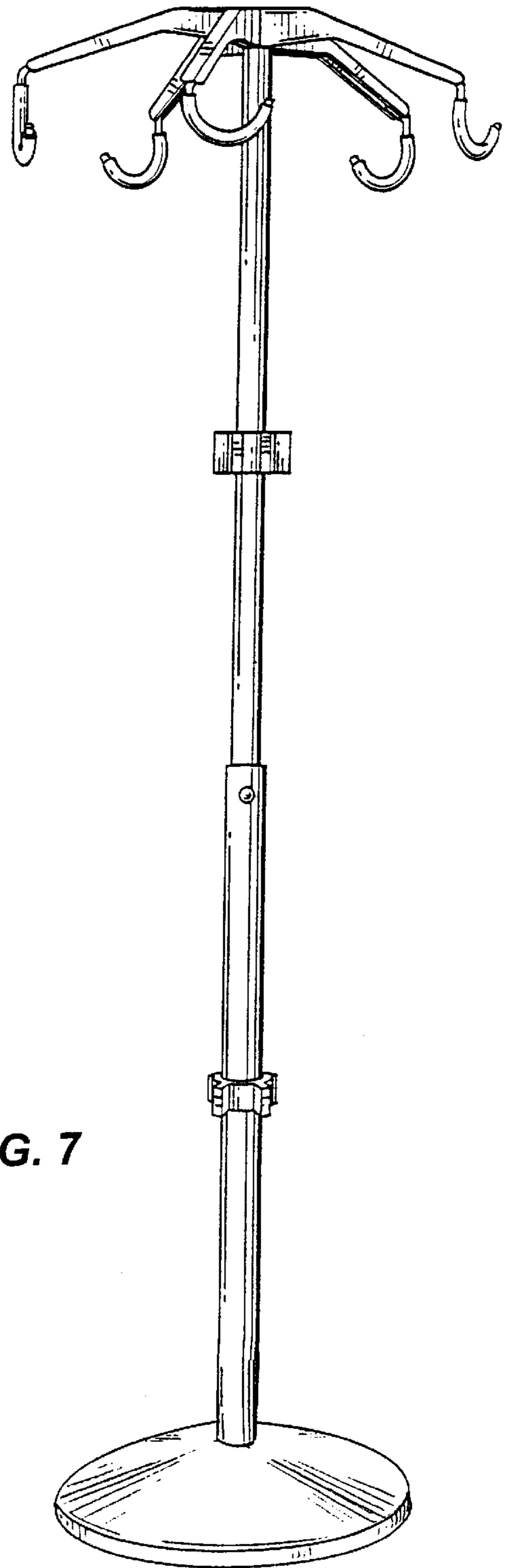


FIG. 7