



US00D439440S

(12) **United States Design Patent**
Mathieu et al.

(10) **Patent No.:** **US D439,440 S**

(45) **Date of Patent:** **** Mar. 27, 2001**

(54) **CABINET**

(74) *Attorney, Agent, or Firm*—Heslin & Rothenberg, P.C.

(75) Inventors: **Paul Mathieu**, Aix-en-Provence (FR);
Sherri Donghia; **Thomas Fuchs**, both
of New York, NY (US); **Masaru**
Suzuki, Brooklyn, NY (US); **Jennifer**
Hutton, West Islip, NY (US)

(57) **CLAIM**

The ornamental design for the cabinet, as shown and described.

(73) Assignee: **Donghia Furniture/Textiles Ltd.**, New York, NY (US)

DESCRIPTION

(**) Term: **14 Years**

FIG. 1 is a perspective view of the cabinet comprising our new design;

(21) Appl. No.: **29/120,169**

FIG. 2 is a top plan view thereof;

(22) Filed: **Mar. 15, 2000**

FIG. 3 is a front elevational view thereof;

(51) **LOC (7) Cl.** **06-04**

(52) **U.S. Cl.** **D6/446**

FIG. 4 is a right side elevational view thereof, the left side elevational view being a mirror image thereof; and,

(58) **Field of Search** D6/432-448, 480,
D6/484; 312/204

FIG. 5 is a front elevational view of a second embodiment of the cabinet shown in FIG. 1, the sole difference residing in the joining together of two cabinets.

(56) **References Cited**

U.S. PATENT DOCUMENTS

- D. 223,373 * 4/1972 Elvestad D6/440
- D. 412,628 * 8/1999 Lewis D6/441

The bottom and rear form no part of the claimed design.

OTHER PUBLICATIONS

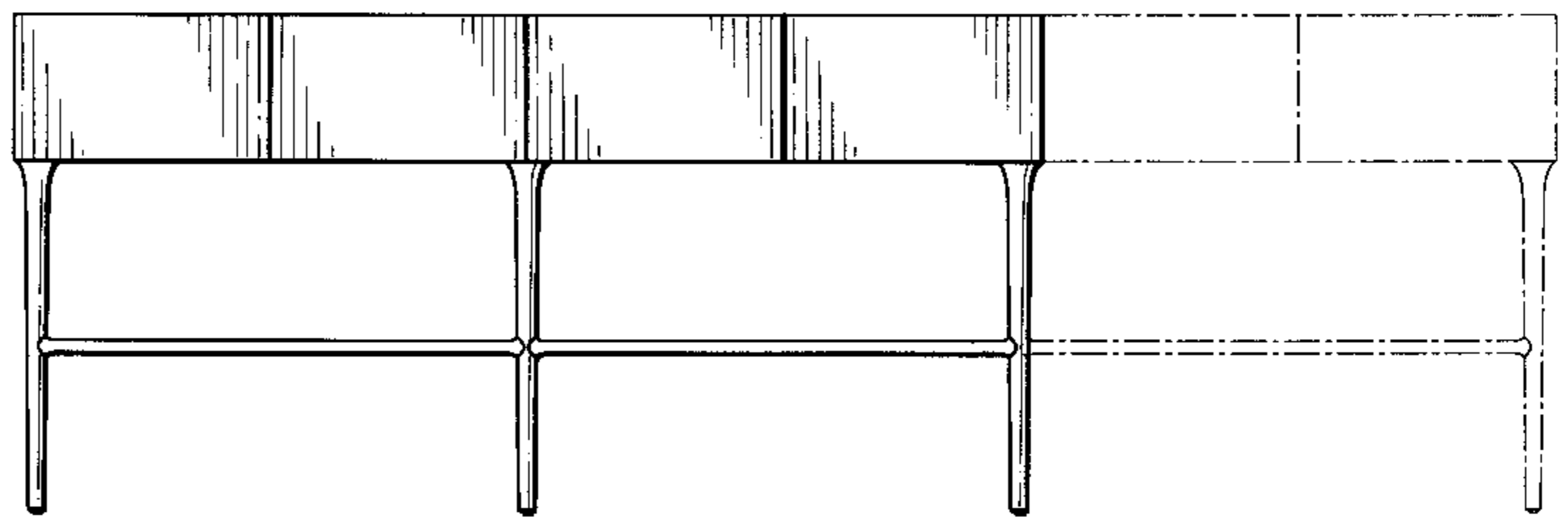
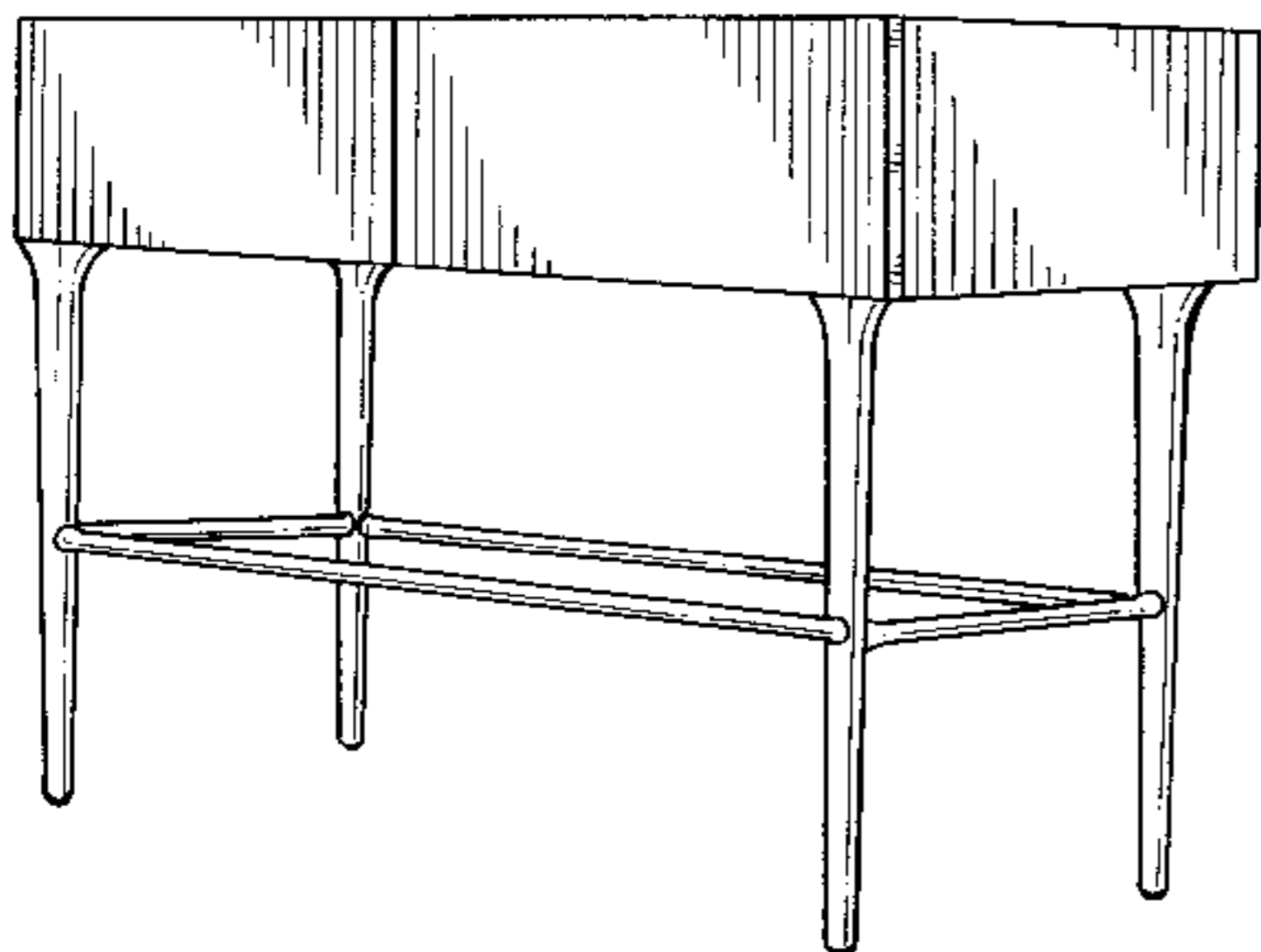
Willow and Reed, *Commode* #192, p. 52, 1970.*

The broken line showing of drawer pulls in FIG. 2 and of an additional cabinet in FIG. 5 are for illustrative purposes only and forms no part of the claimed design.

* cited by examiner

Primary Examiner—Cathron Brooks

1 Claim, 3 Drawing Sheets



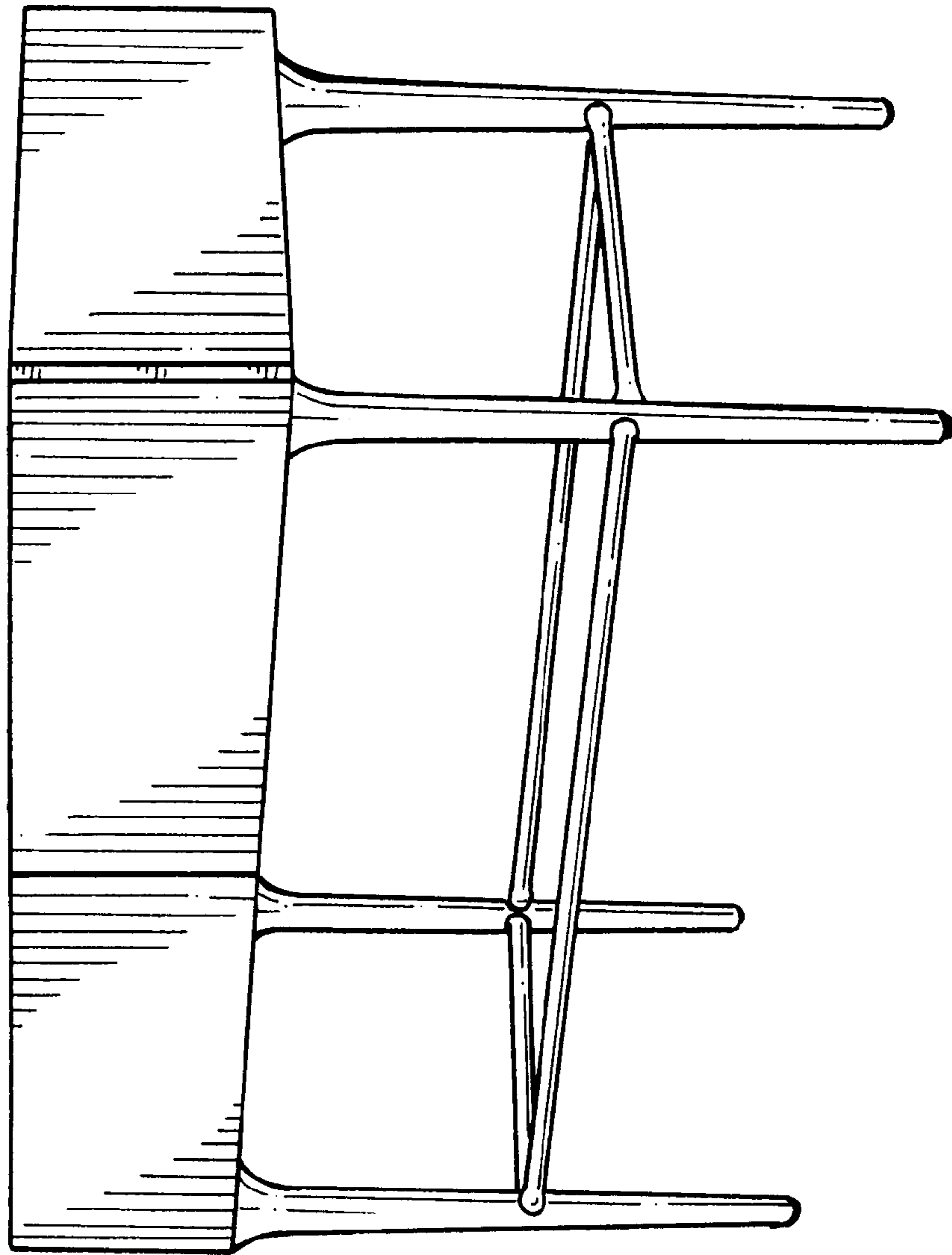


FIG. 1

FIG. 2

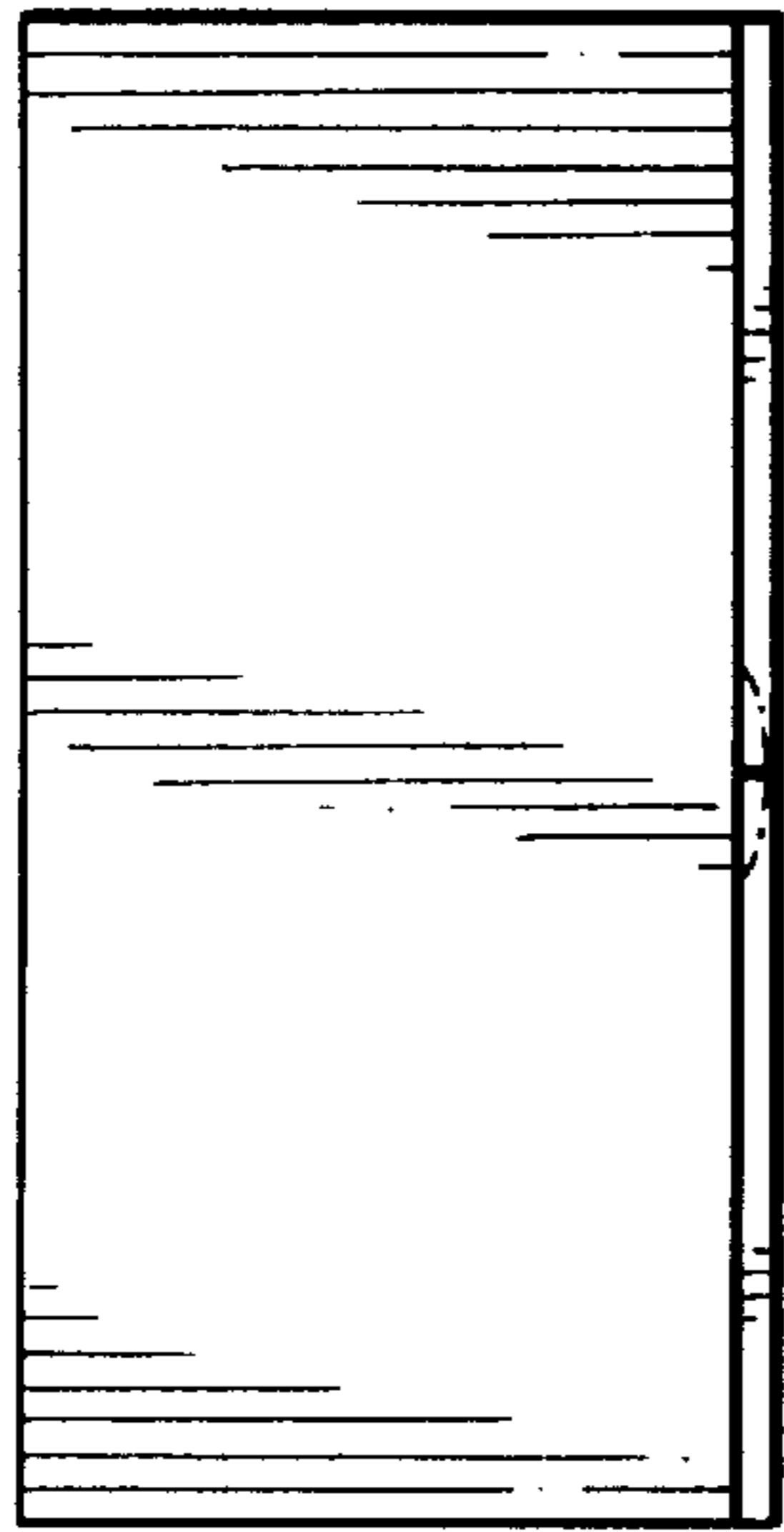


FIG. 3

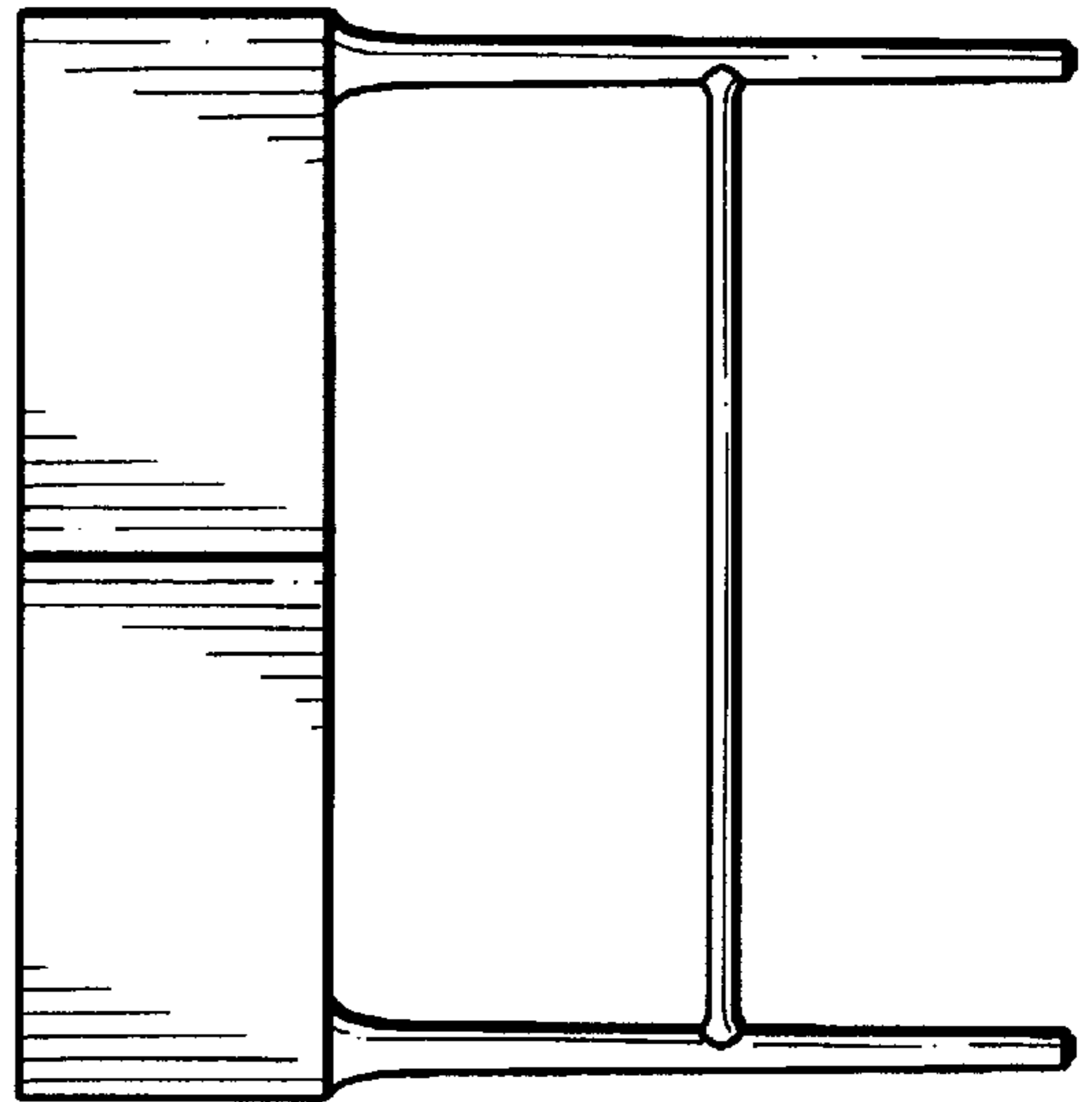


FIG. 4

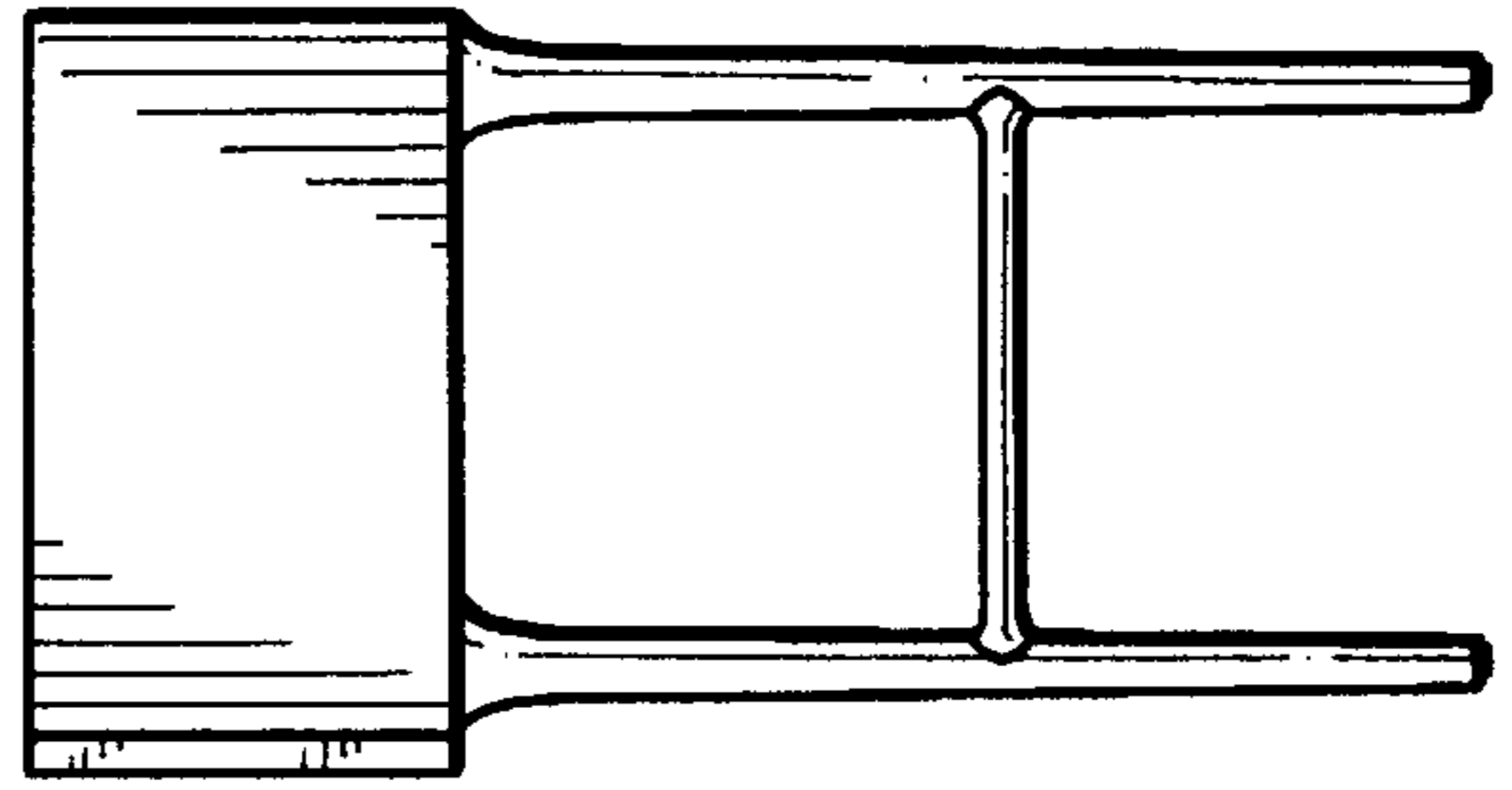


FIG. 5

