



US00D439437S

(12) **United States Design Patent**
Crete

(10) **Patent No.:** **US D439,437 S**

(45) **Date of Patent:** **** Mar. 27, 2001**

(54) **UMBRELLA SUPPORT STAND**

Primary Examiner—Nanda Bondade

(76) Inventor: **Serge Crete**, 9829 123rd Street, Surrey,
BC (CA), V3V 4P2

(**) Term: **14 Years**

(21) Appl. No.: **29/106,526**

(22) Filed: **Jun. 17, 1999**

(51) **LOC (7) Cl.** **06-06**

(52) **U.S. Cl.** **D6/416**

(58) **Field of Search** D6/416, 417, 418,
D6/486, 495; 135/16, 118; 211/62; 248/156,
530, 533, 545

(56) **References Cited**

U.S. PATENT DOCUMENTS

D. 364,286	*	11/1995	Loadheltz	D6/417
D. 388,974	*	1/1998	Piker	D6/417
D. 389,334	*	1/1998	Attridge	D6/418
D. 399,367	*	10/1998	Sieland et al.	D6/416
4,065,085	*	12/1977	Gellatly	248/156
5,502,910	*	4/1996	Lucchesi	248/156
5,735,494	*	4/1998	Kurk	248/156
5,881,495	*	3/1999	Clark	135/118

* cited by examiner

(57) **CLAIM**

The ornamental design for a umbrella support stand, as shown and described.

DESCRIPTION

The nature and intended use of the article being an ornamental design for an umbrella support stand that is used to support an umbrella when at the beach.

FIG. 1 is a front elevational view of the umbrella support stand of the present invention;

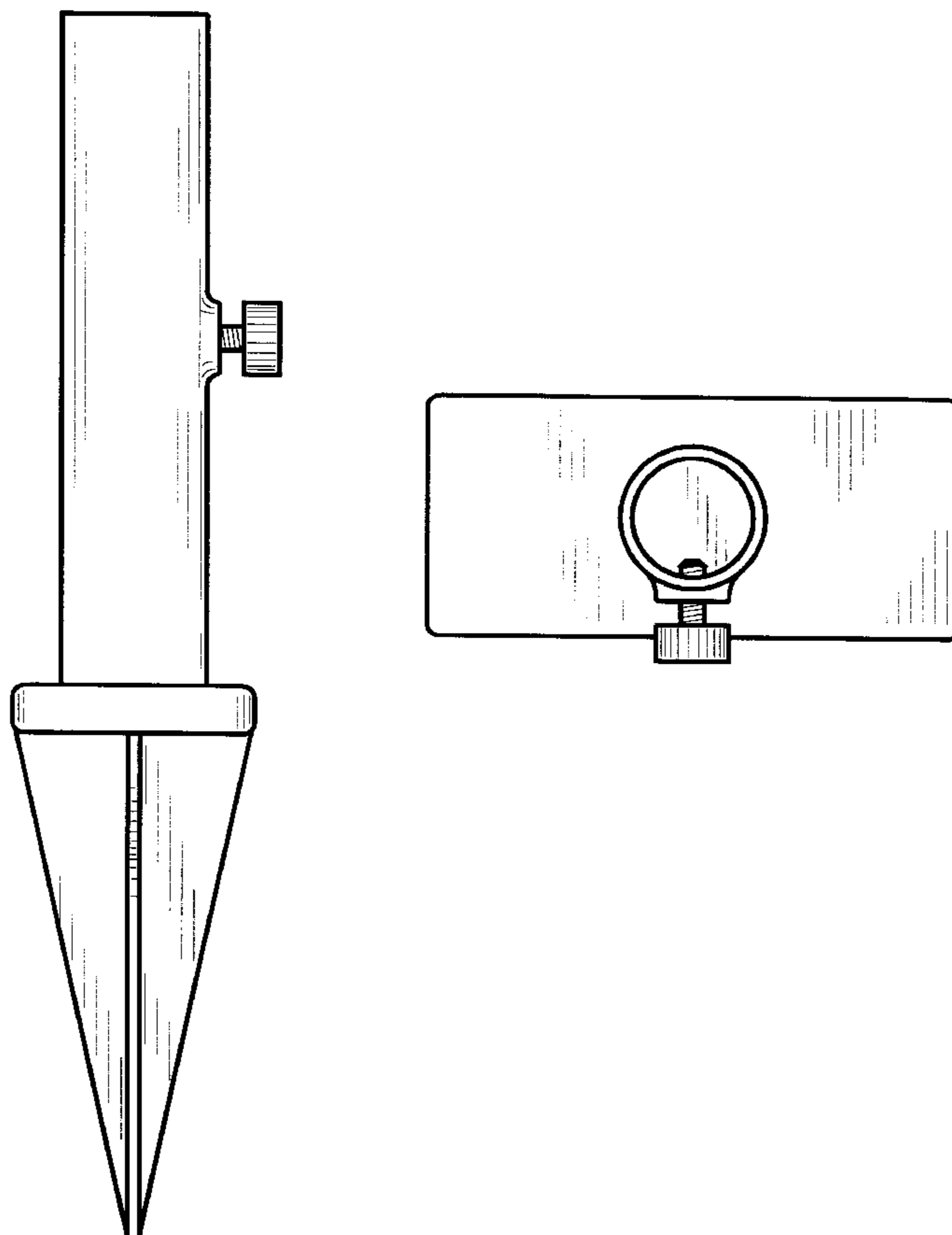
FIG. 2 is a rear elevational view of the umbrella support stand of FIG. 1;

FIG. 3 is a left side elevational view of the umbrella support stand of FIG. 1, the right side elevation view being a mirror image thereof;

FIG. 4 is a top plan view of the umbrella support stand of FIG. 1; and,

FIG. 5 is a bottom plan view of the umbrella support stand of FIG. 1.

1 Claim, 2 Drawing Sheets



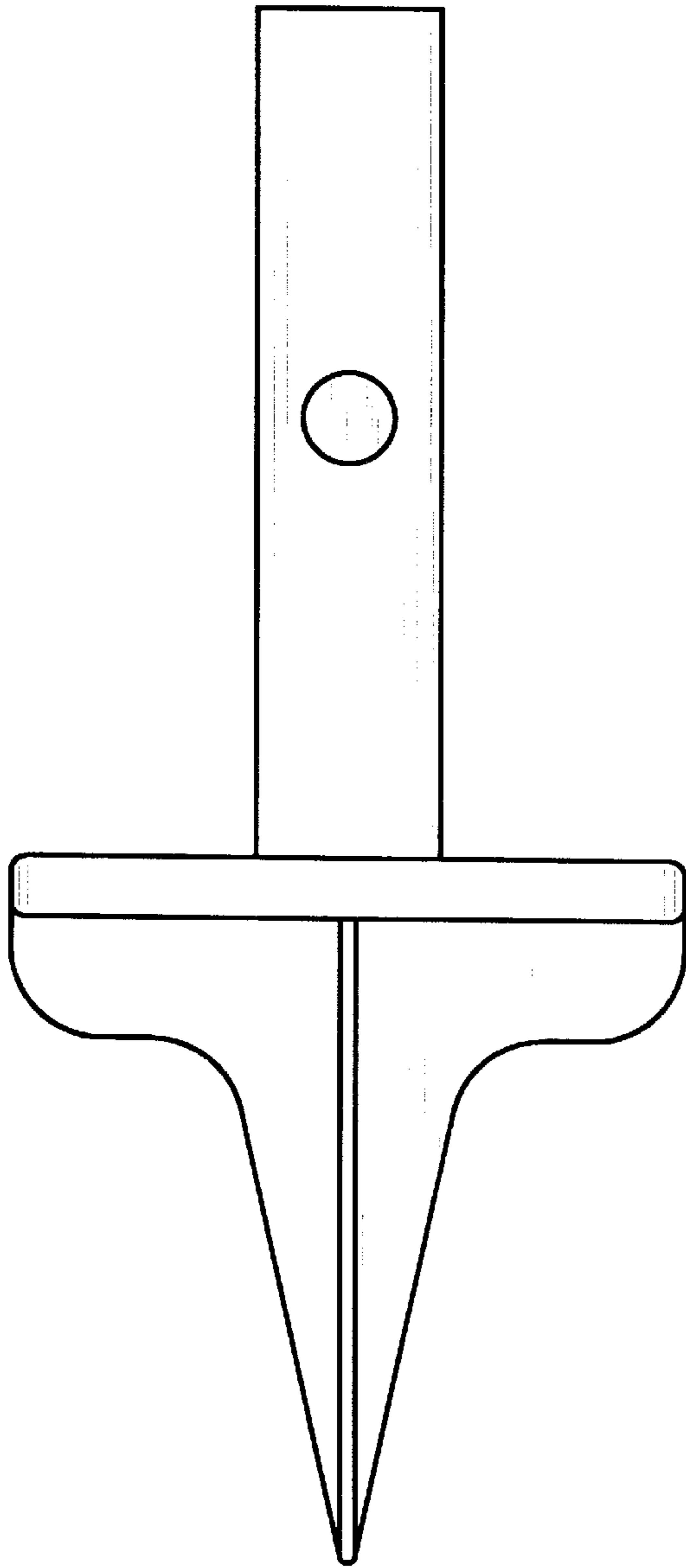


FIG. 1

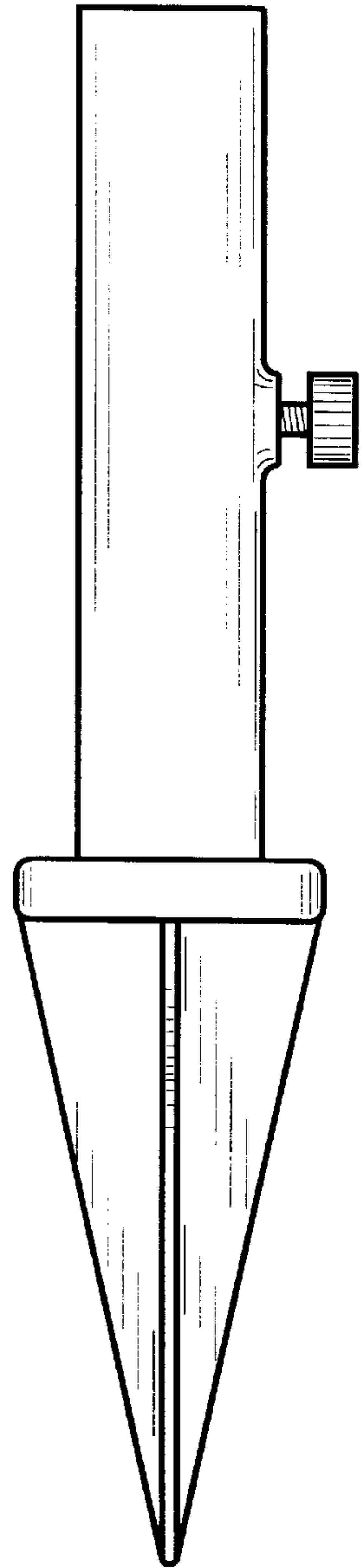


FIG. 3

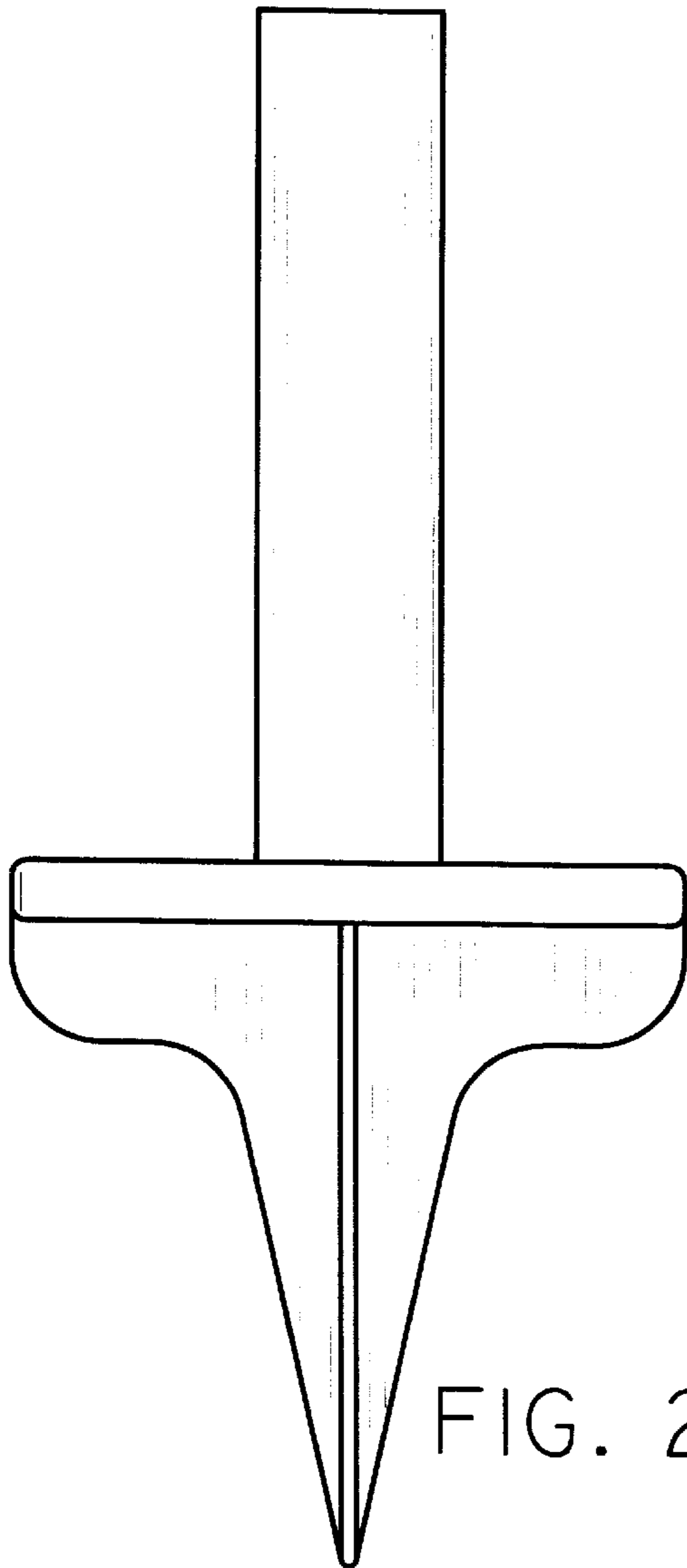


FIG. 2

FIG. 4

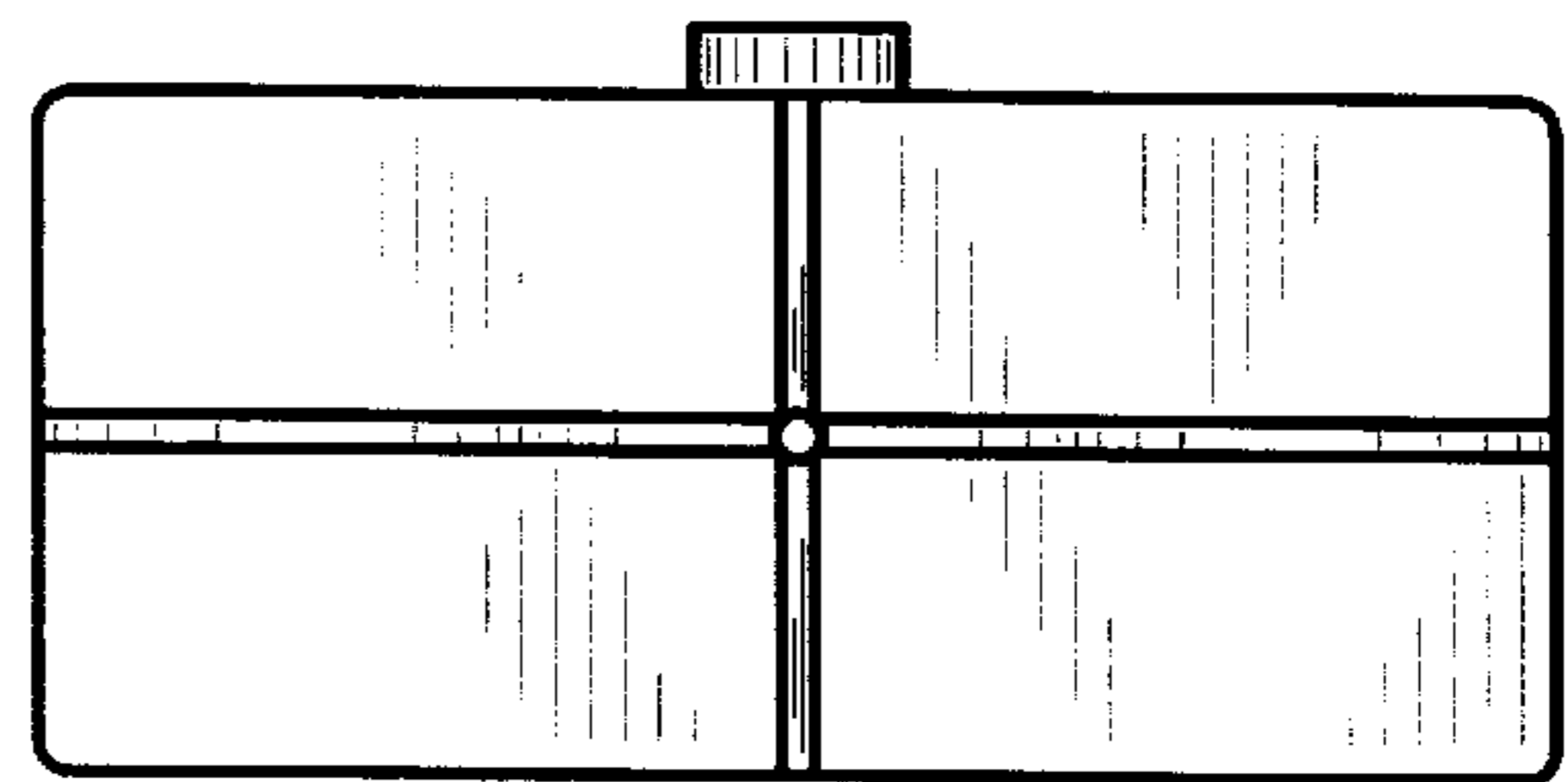
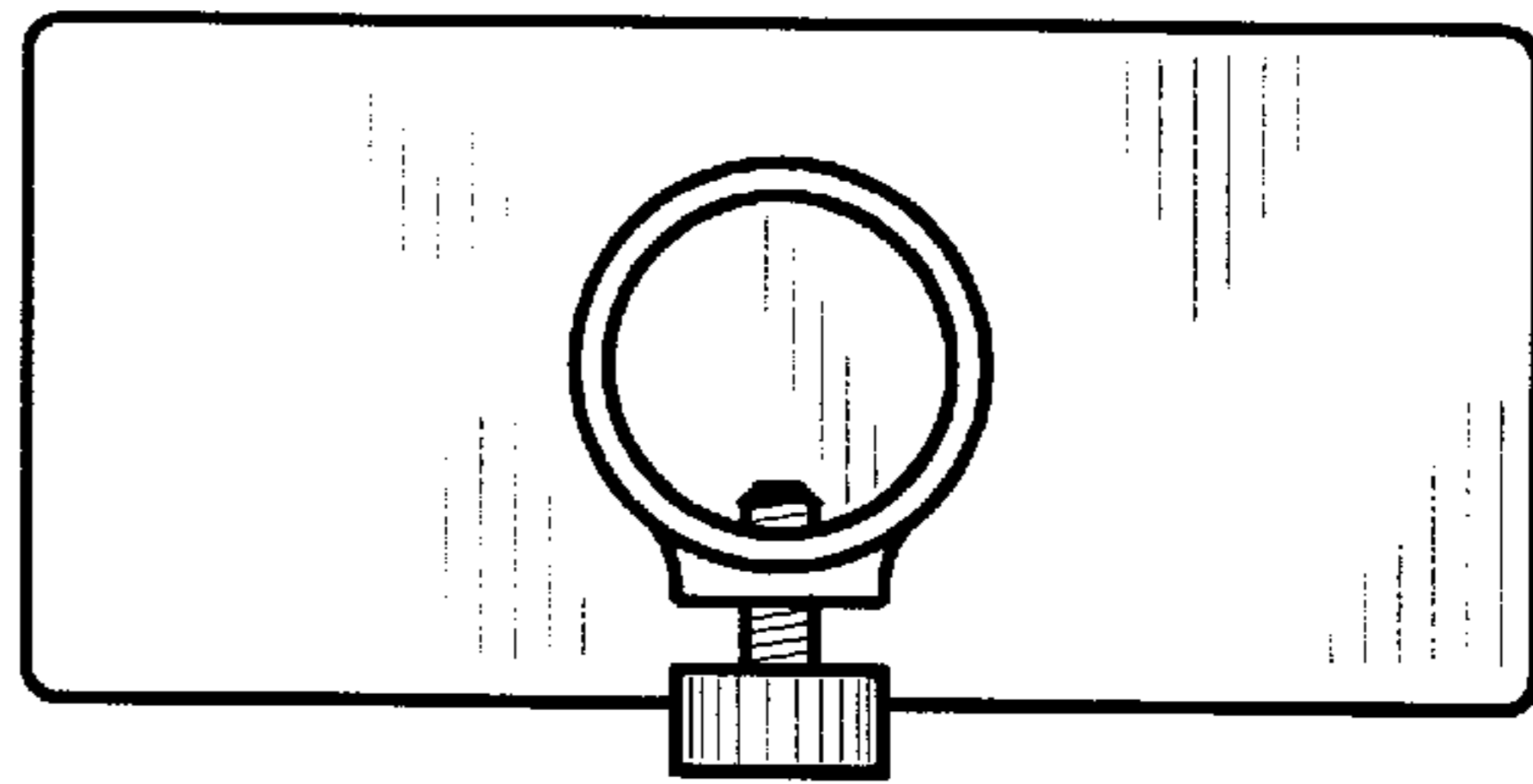


FIG. 5