



US00D439435S

(12) **United States Design Patent**
Belden, Jr. et al.

(10) **Patent No.:** **US D439,435 S**

(45) **Date of Patent:** **** Mar. 27, 2001**

(54) **HUB FOR HOLDING RECORDED MEDIA**

(75) Inventors: **Dennis D. Belden, Jr.**, Canton; **James K. Sankey**, Hudson, both of OH (US)

(73) Assignee: **Alpha Enterprises, Inc.**, North Canton, OH (US)

(**) Term: **14 Years**

(21) Appl. No.: **29/101,486**

(22) Filed: **Mar. 5, 1999**

Related U.S. Application Data

(63) Continuation-in-part of application No. 09/245,944, filed on Feb. 5, 1999, which is a continuation-in-part of application No. 09/108,635, filed on Jul. 1, 1998, now Pat. No. 5,996,788.

(51) **LOC (7) Cl.** **06-04**

(52) **U.S. Cl.** **D6/407**

(58) **Field of Search** D3/201; D6/407, D6/408, 626-635; D14/124; D19/26, 27, 32, 33, 74; 40/340, 360, 626, 771, 775, 307; 206/307, 308.1, 308.3, 309, 311, 312, 313, 387.13, 396, 408; 229/67.1, 68.1, 70-72; 283/116, 117

(56) **References Cited**

U.S. PATENT DOCUMENTS

D. 351,963	*	11/1994	Lim	D6/631
2,600,023		6/1952	Rice	206/62
4,049,120		9/1977	Bower	206/396
4,120,398		10/1978	Braddon, Sr.	206/408
4,499,994		2/1985	Rentch	206/45.19
4,520,470		5/1985	D'Alayer de	369/72
4,535,888		8/1985	Nusselder	206/444
4,614,269		9/1986	Dietze	206/387
4,702,369		10/1987	Philosophe	206/312
4,709,812		12/1987	Kosterka	206/310
4,709,813		12/1987	Wildt	206/312
4,746,013		5/1988	Suzuki	206/309
4,750,618		6/1988	Schubert	206/309
4,793,479		12/1988	Otsuka	206/310

4,805,770	2/1989	Grobecker	206/309
4,819,799	4/1989	Nomula	206/310
4,874,085	10/1989	Grobecker	206/309
4,895,252	1/1990	Nomula	206/310
4,903,829	2/1990	Clemens	206/310
5,101,971	4/1992	Grobecker	206/232
5,168,991	12/1992	Whitehead	206/310
5,238,107	8/1993	Kownacki	206/310
5,244,085	9/1993	Lammerant	206/310
5,249,677	10/1993	Lim	206/310
5,251,750	10/1993	Gelardi	206/310
5,299,186	3/1994	Tsurushima	369/291
5,310,054	5/1994	Stumpff	206/310
5,322,162	6/1994	Melk	206/310
5,377,825	1/1995	Sykes	206/232
5,400,902	3/1995	Kaminski	206/310
5,402,882	4/1995	Bandy	206/310

(List continued on next page.)

FOREIGN PATENT DOCUMENTS

3425579A1	1/1986	(DE)	G11B/23/03
2291640B	3/1994	(GB)	G11B/33/04
2312665	4/1996	(GB)	G11B/33/04

Primary Examiner—Celia Murphy

(74) *Attorney, Agent, or Firm*—Sand & Sebolt

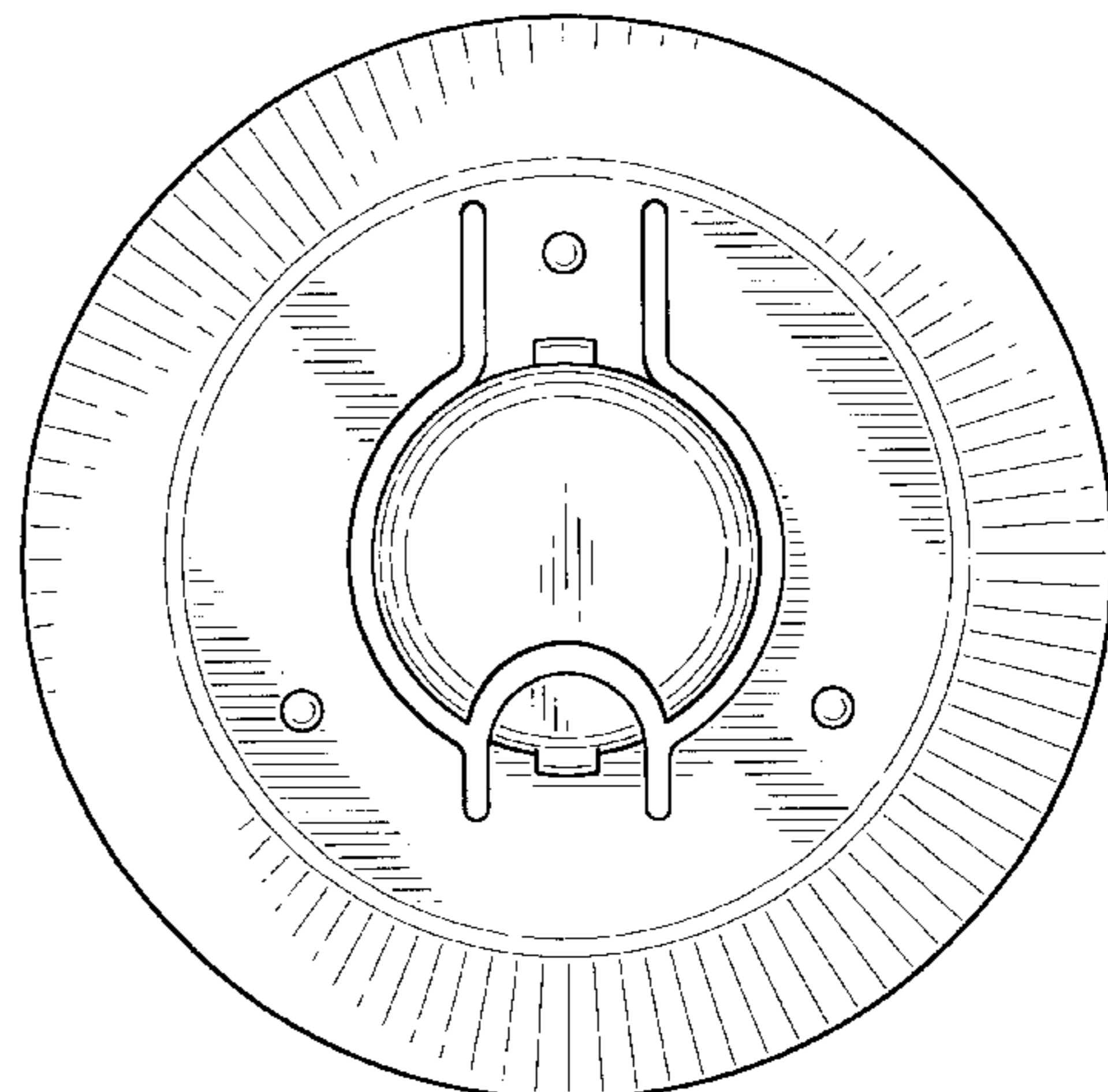
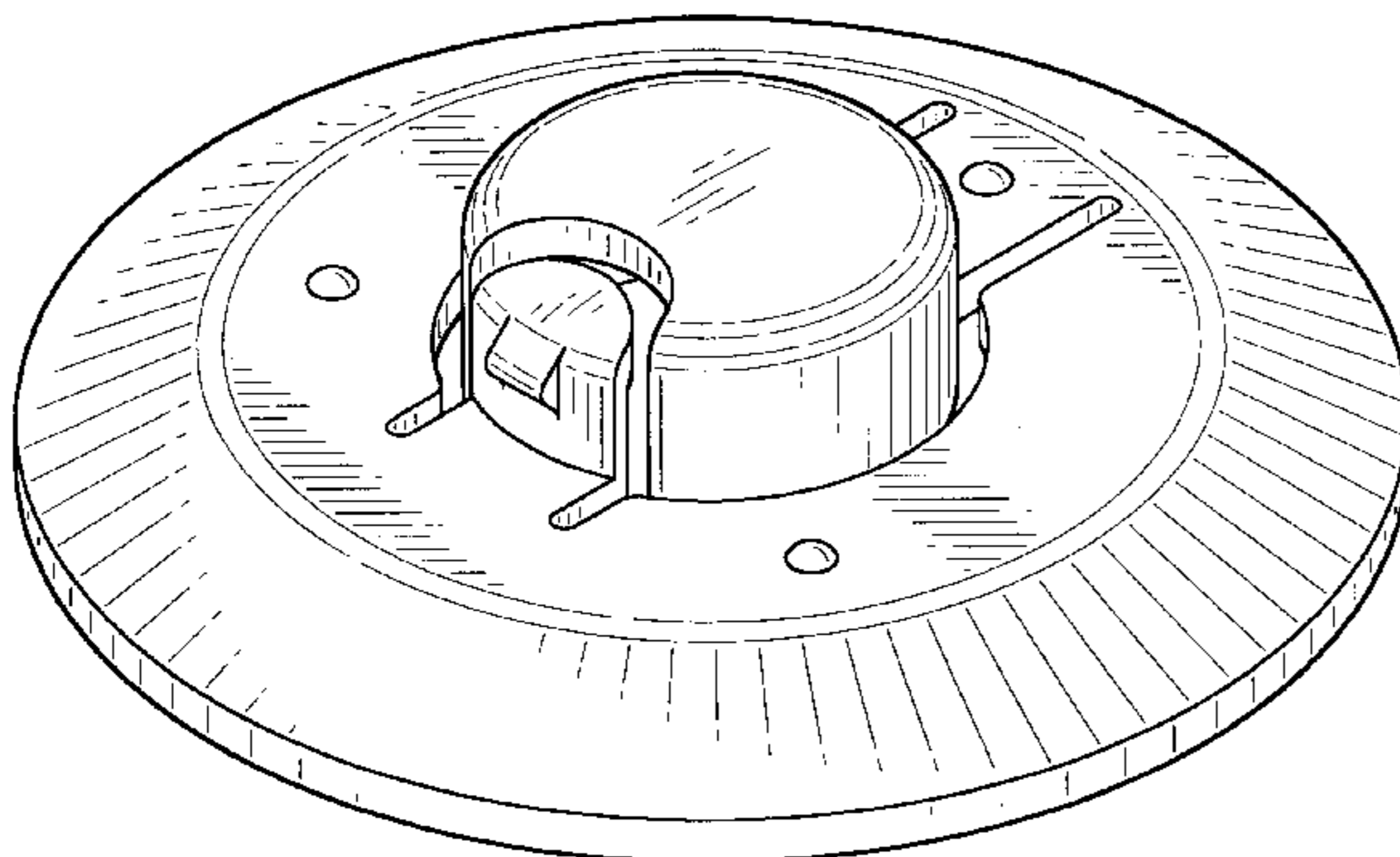
(57) **CLAIM**

We claim the ornamental design for a hub for holding recorded media, as shown and described.

DESCRIPTION

FIG. 1 is a perspective view of a hub for holding recorded media showing our new design;
FIG. 2 is a top plan view of the hub for holding recorded media;
FIG. 3 is a front elevational view of the hub of FIG. 2;
FIG. 4 is a bottom plan view of FIG. 2;
FIG. 5 is a rear elevational view of FIG. 2;
FIG. 6 is a left side elevational view of FIG. 2; and,
FIG. 7 is a right side elevational view of FIG. 2.

1 Claim, 2 Drawing Sheets



US D439,435 S

Page 2

U.S. PATENT DOCUMENTS

5,417,324	5/1995	Joyce	206/310	5,682,988	11/1997	Salisbury	206/303
5,450,953	9/1995	Reisman	206/310	5,682,990	11/1997	Schluger	206/308.1
5,477,960	12/1995	Chen	206/308.1	5,685,425	11/1997	Choi	206/310
5,494,156	2/1996	Nies	206/310	5,685,427	11/1997	Kuitems	206/310
5,515,968	5/1996	Taniyama	206/310	5,727,680	3/1998	Liu	206/308.1
5,529,182	6/1996	Anderson	206/308.1	5,775,491	7/1998	Taniyama	206/308.1
5,533,612	7/1996	Focke	206/268	5,785,172	7/1998	Bologna	206/308.1
5,533,614	7/1996	Walker	206/308.1	5,788,068	8/1998	Fraser	206/310
5,558,220	9/1996	Gartz	206/308.1	5,799,782	9/1998	Gelardi	206/308.1
5,575,388	11/1996	Bologna	206/308.1	5,894,924 *	4/1999	Koch	206/310
5,586,651	12/1996	Krummenacher	206/310	5,896,985 *	4/1999	Nakasuji	206/308.2
5,593,030	1/1997	Tell	206/308.1	5,896,986 *	4/1999	Bologna et al.	206/310
5,609,249	3/1997	Cheng	206/308.1	5,931,294 *	8/1999	Weingarden et al.	206/308.1
5,626,225	5/1997	Joyce	206/308.1	5,944,181 *	8/1999	Lau	206/308.1
5,651,458	7/1997	Brosmith	206/308.1	5,950,822 *	9/1999	Cloran et al.	206/310
5,660,274	8/1997	Chien	206/308.1	5,996,788 *	12/1999	Belden, Jr. et al.	206/310

* cited by examiner

FIG-1

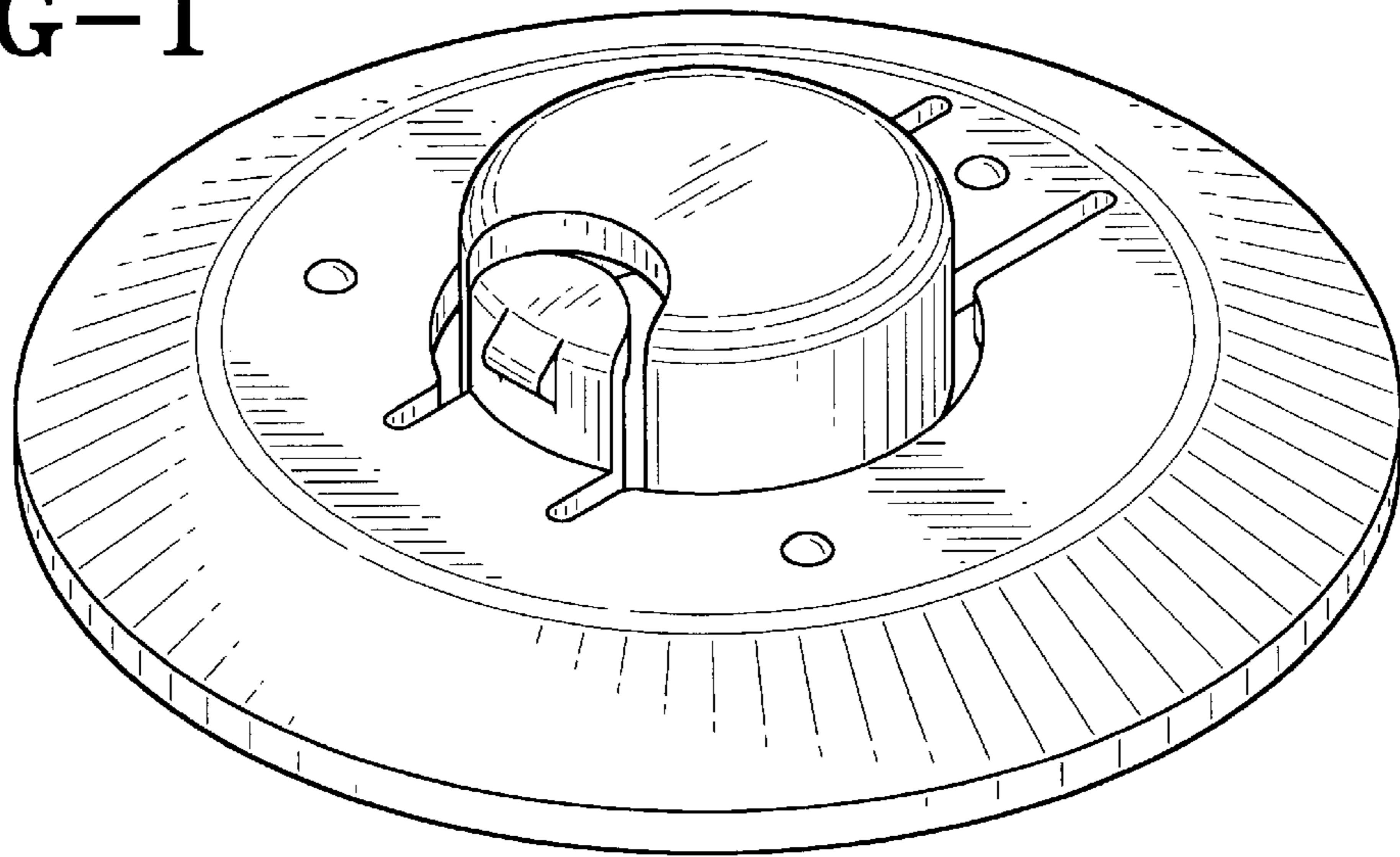


FIG-2

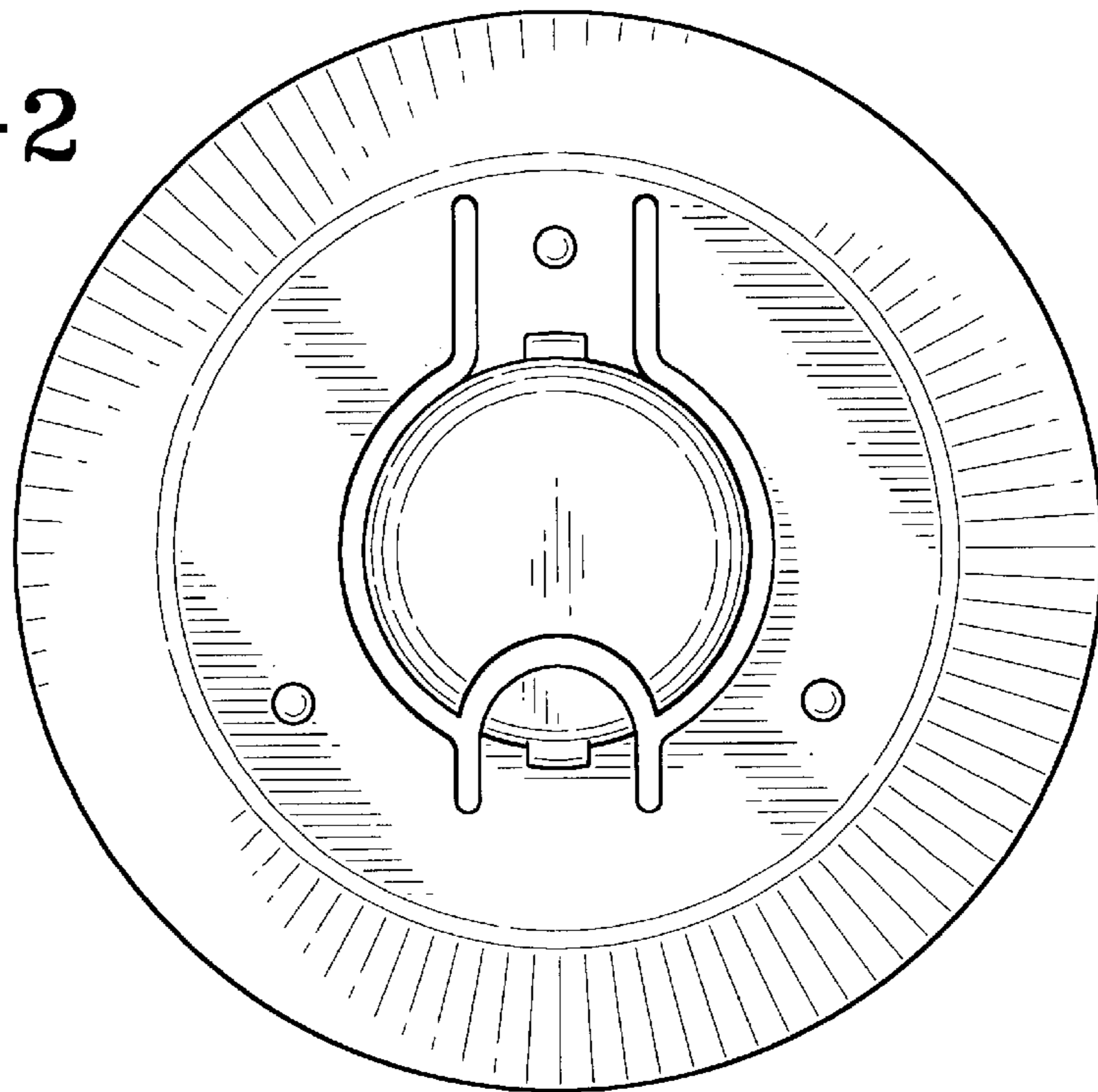


FIG-3

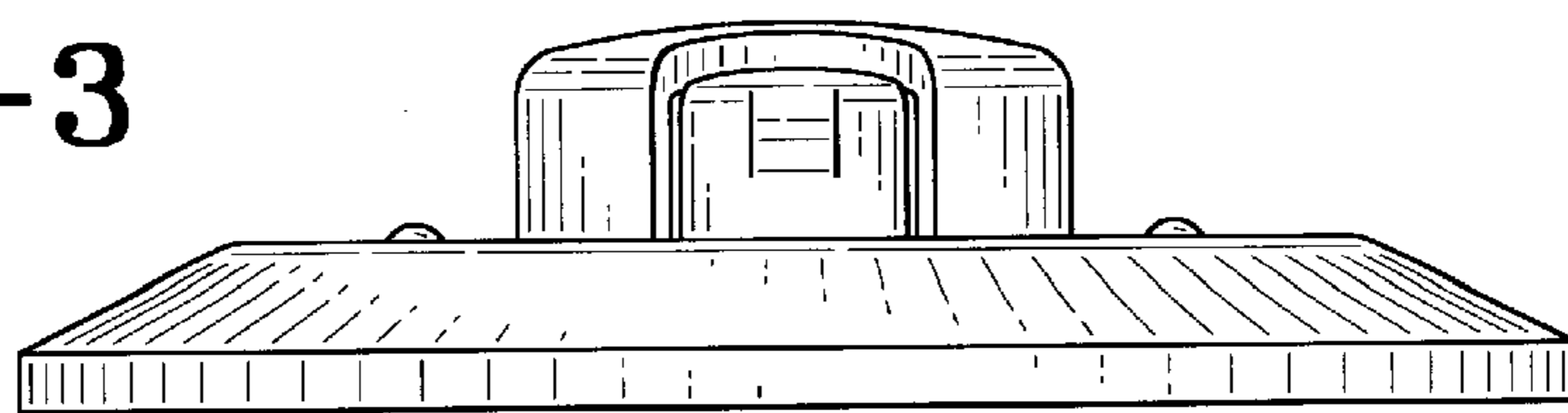


FIG-4

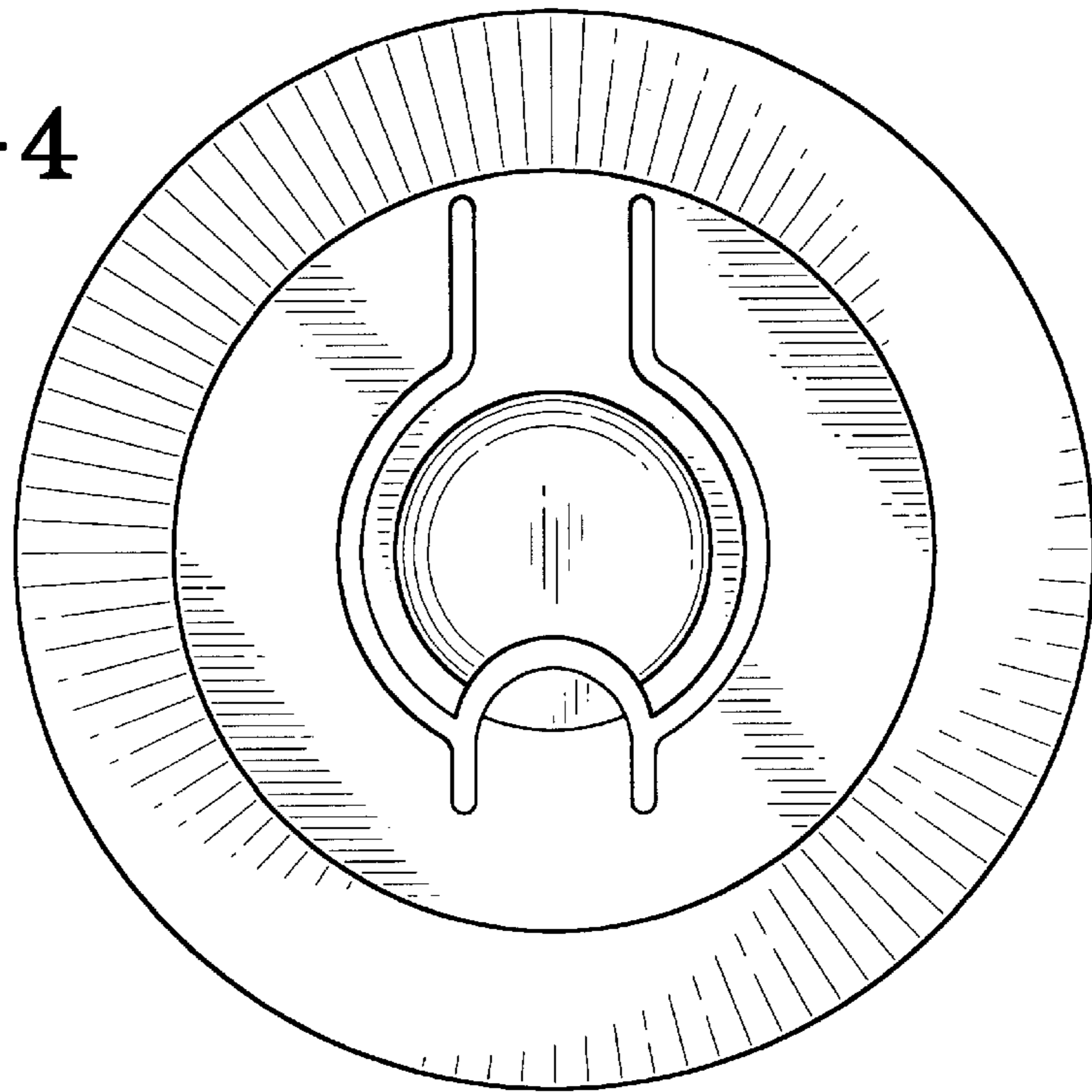


FIG-5

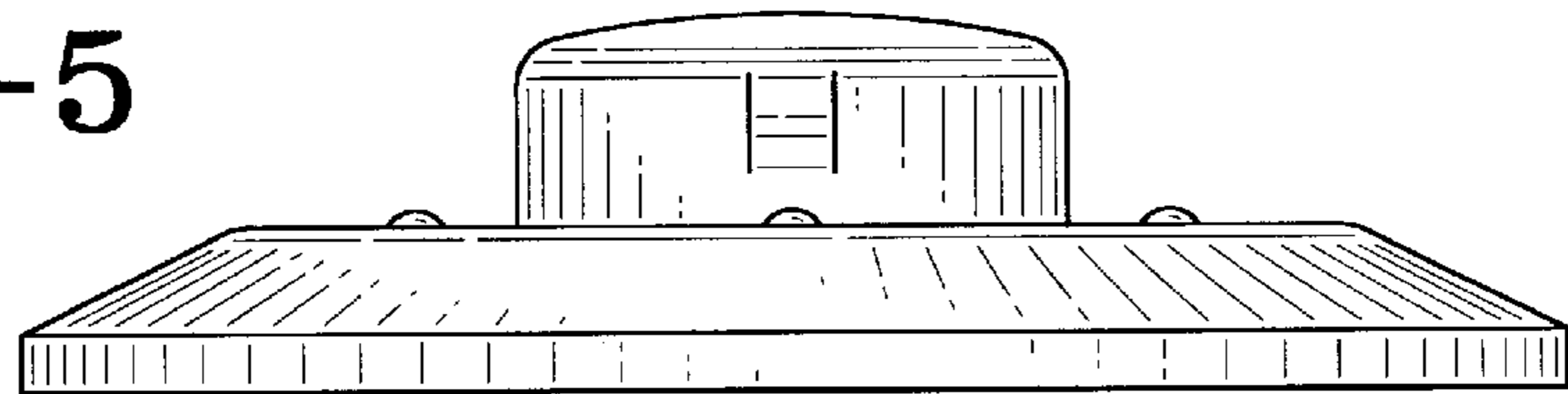


FIG-6

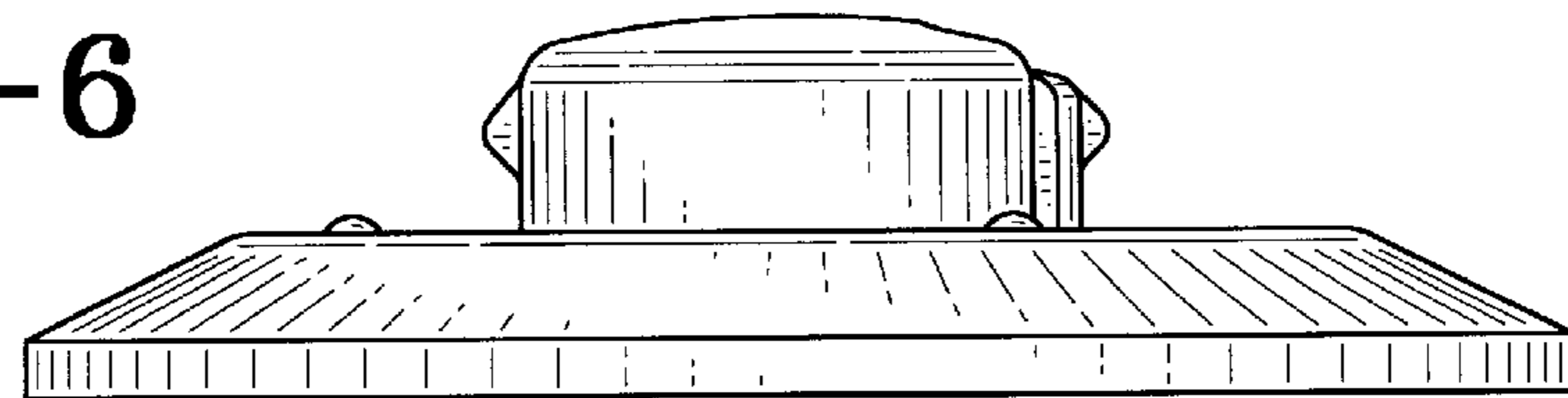


FIG-7

