



US00D439434S

(12) **United States Design Patent**
Dewitt

(10) **Patent No.:** **US D439,434 S**

(45) **Date of Patent:** **** Mar. 27, 2001**

(54) **CHECKSTAND COUNTER**

2,741,523 * 4/1956 George 312/140.1 X

(75) Inventor: **Wayne Dewitt**, Jacksonville, FL (US)

* cited by examiner

(73) Assignee: **Load King Manufacturing Co.**,
Jacksonville, FL (US)

Primary Examiner—Cathron B. Matta

(74) *Attorney, Agent, or Firm*—Allen, Dyer, Doppelt,
Milbrath & Gilchrist, P.A.

(**) Term: **14 Years**

(57) **CLAIM**

(21) Appl. No.: **29/090,298**

The ornamental design for a checkstand counter, as shown
and described.

(22) Filed: **Jul. 6, 1998**

DESCRIPTION

(51) **LOC (7) Cl.** **06-03**

(52) **U.S. Cl.** **D6/402**

(58) **Field of Search** D6/402, 396, 397;
312/140.1; 186/59-68

FIG. 1 is a top view of the invention.

FIG. 2 is a rear view.

FIG. 3 is a right side view.

FIG. 4 is a left side view.

FIG. 5 is a front view; and,

FIG. 6 is a perspective view on a reduced scale.

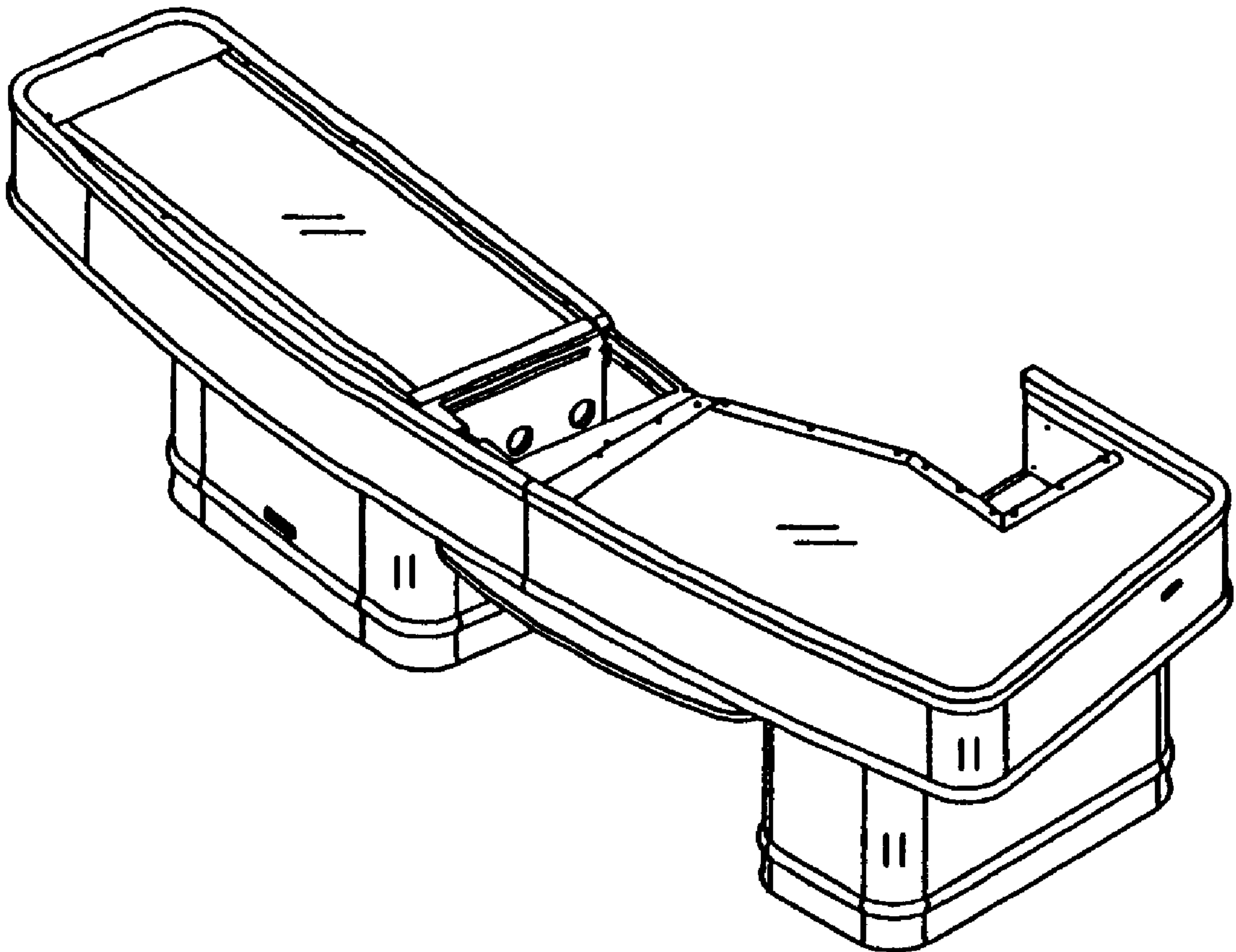
The surface(s) or portion(s) of the article not shown in the
drawing or described in the specification form(s) no part of
the claimed design.

(56) **References Cited**

U.S. PATENT DOCUMENTS

D. 377,272	*	1/1997	Dewitt	D6/402
D. 378,715	*	4/1997	Dewitt	D6/402
D. 396,573	*	8/1998	Dewitt	D6/402
2,599,909	*	6/1952	George	186/67

1 Claim, 2 Drawing Sheets



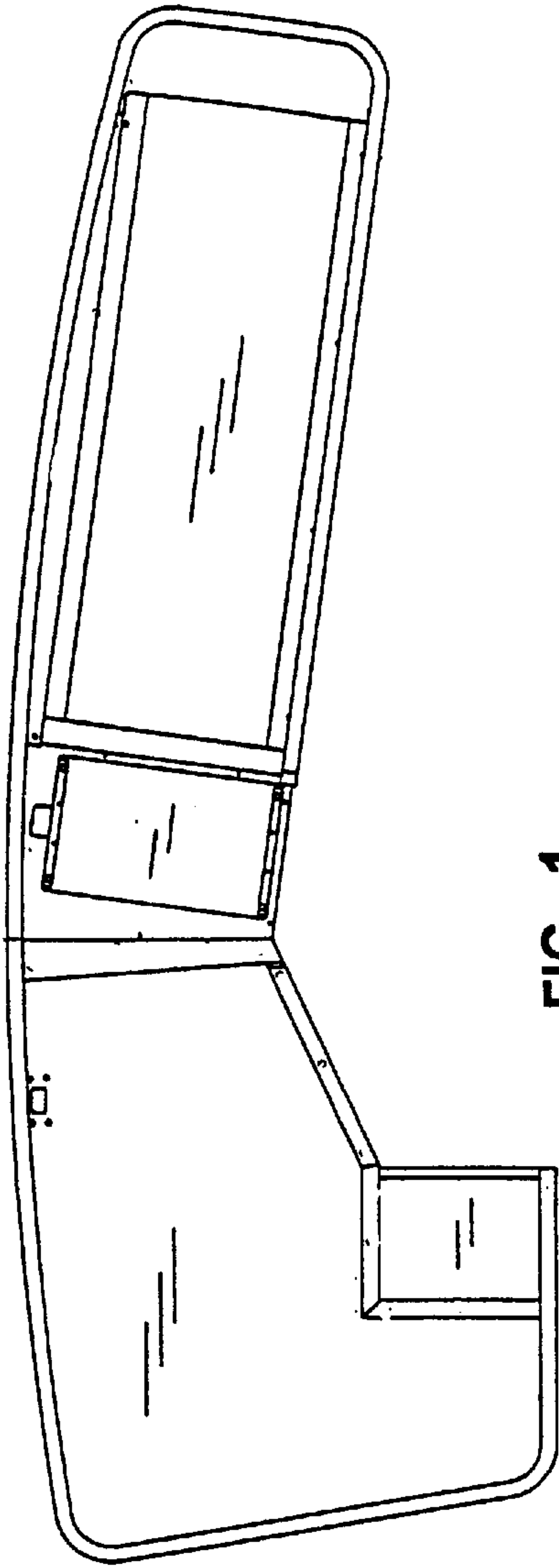


FIG. 1

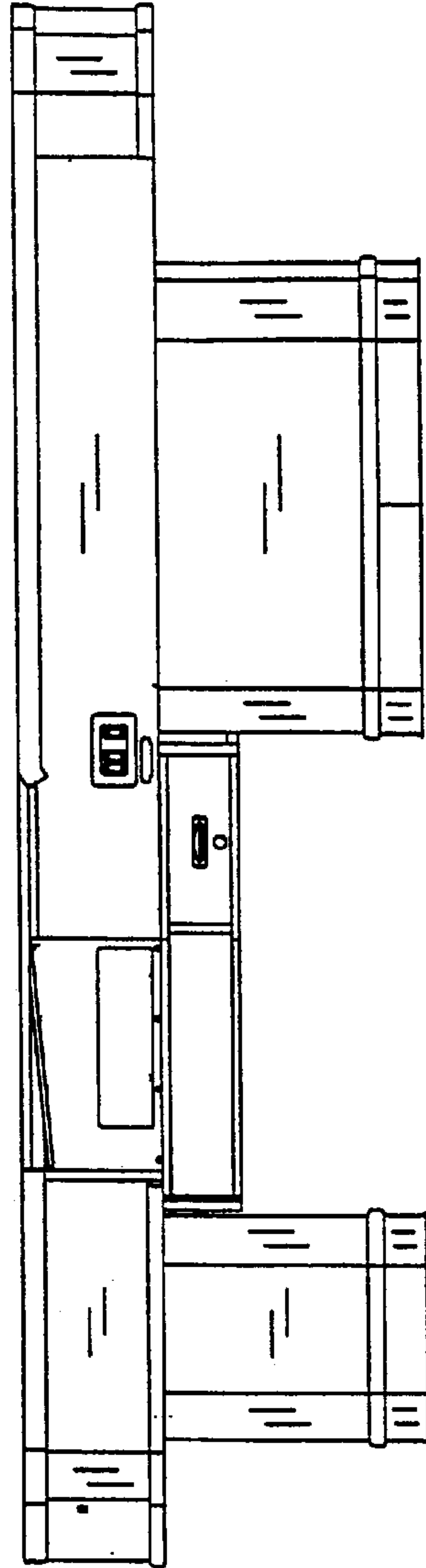


FIG. 2

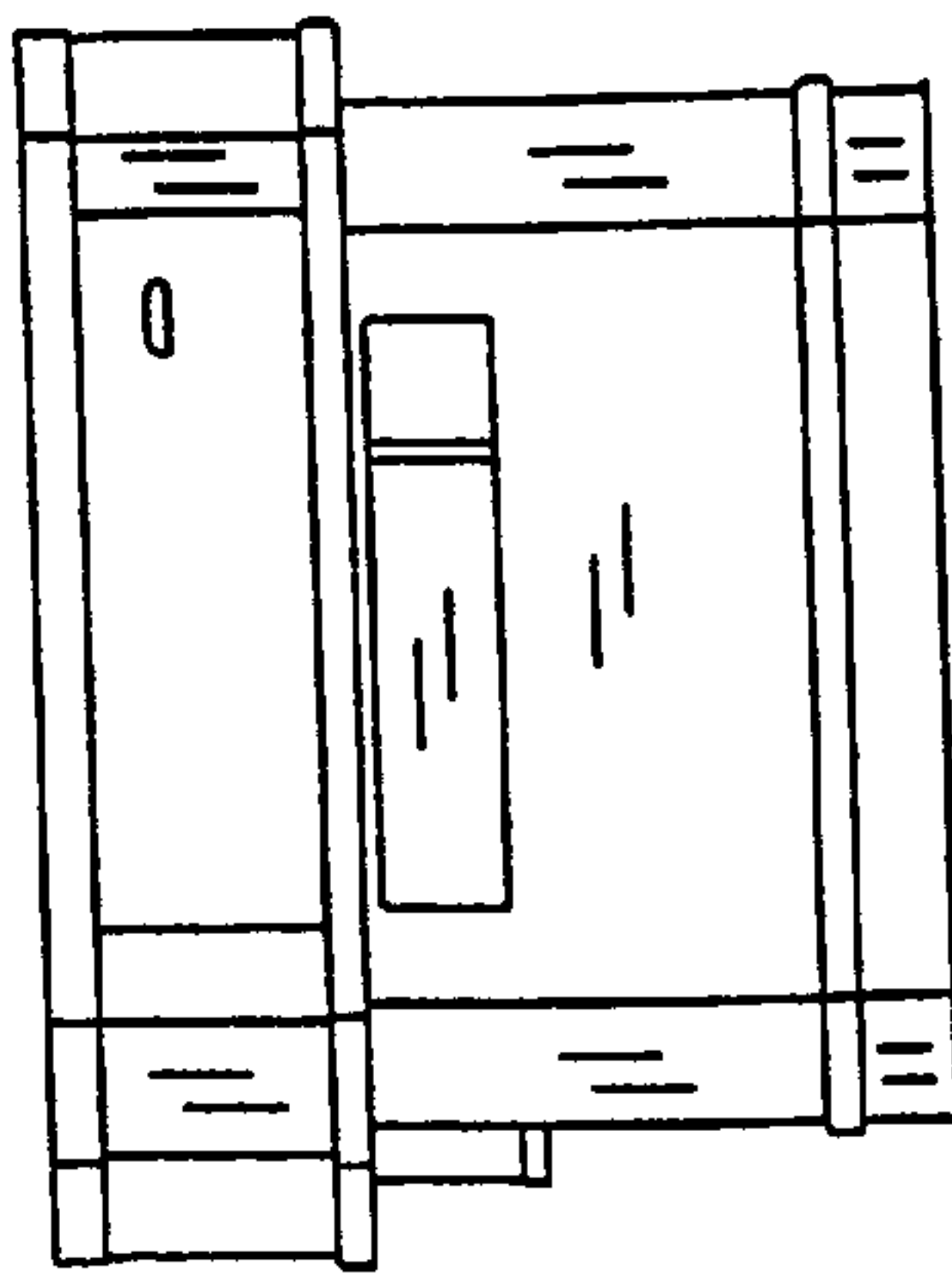


FIG. 3

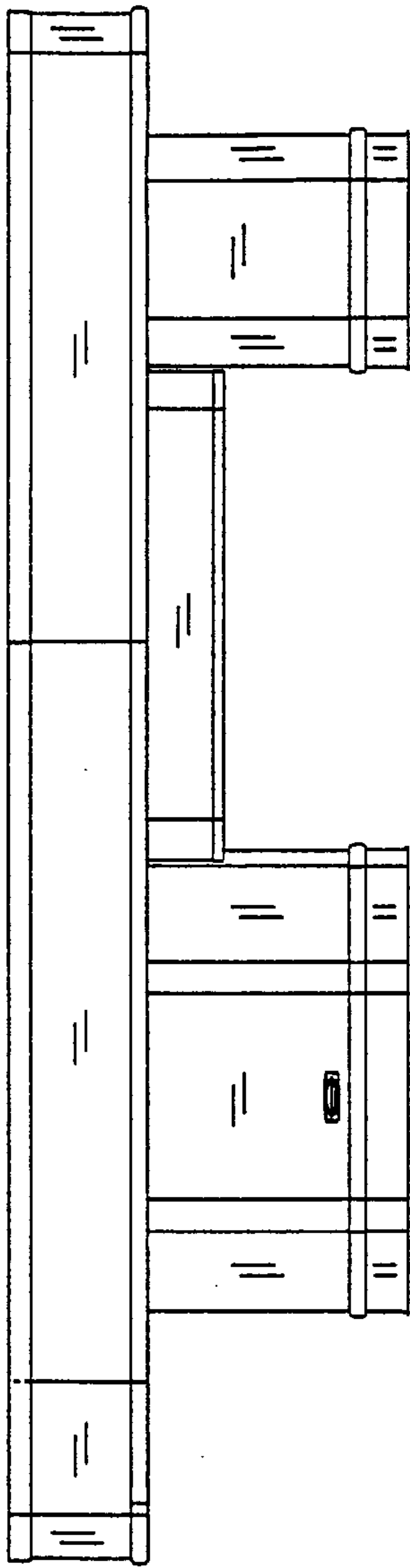


FIG. 4

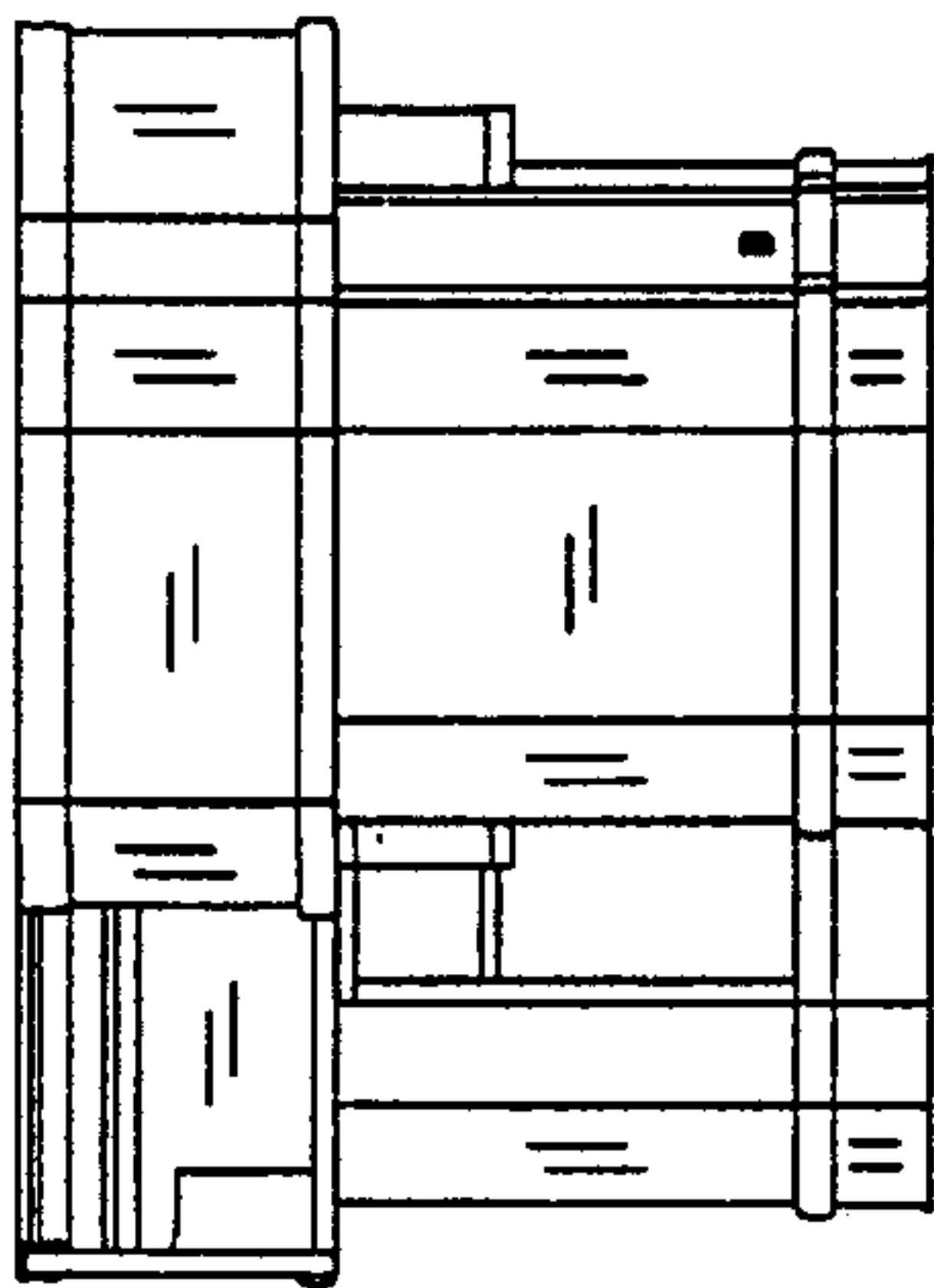


FIG. 5

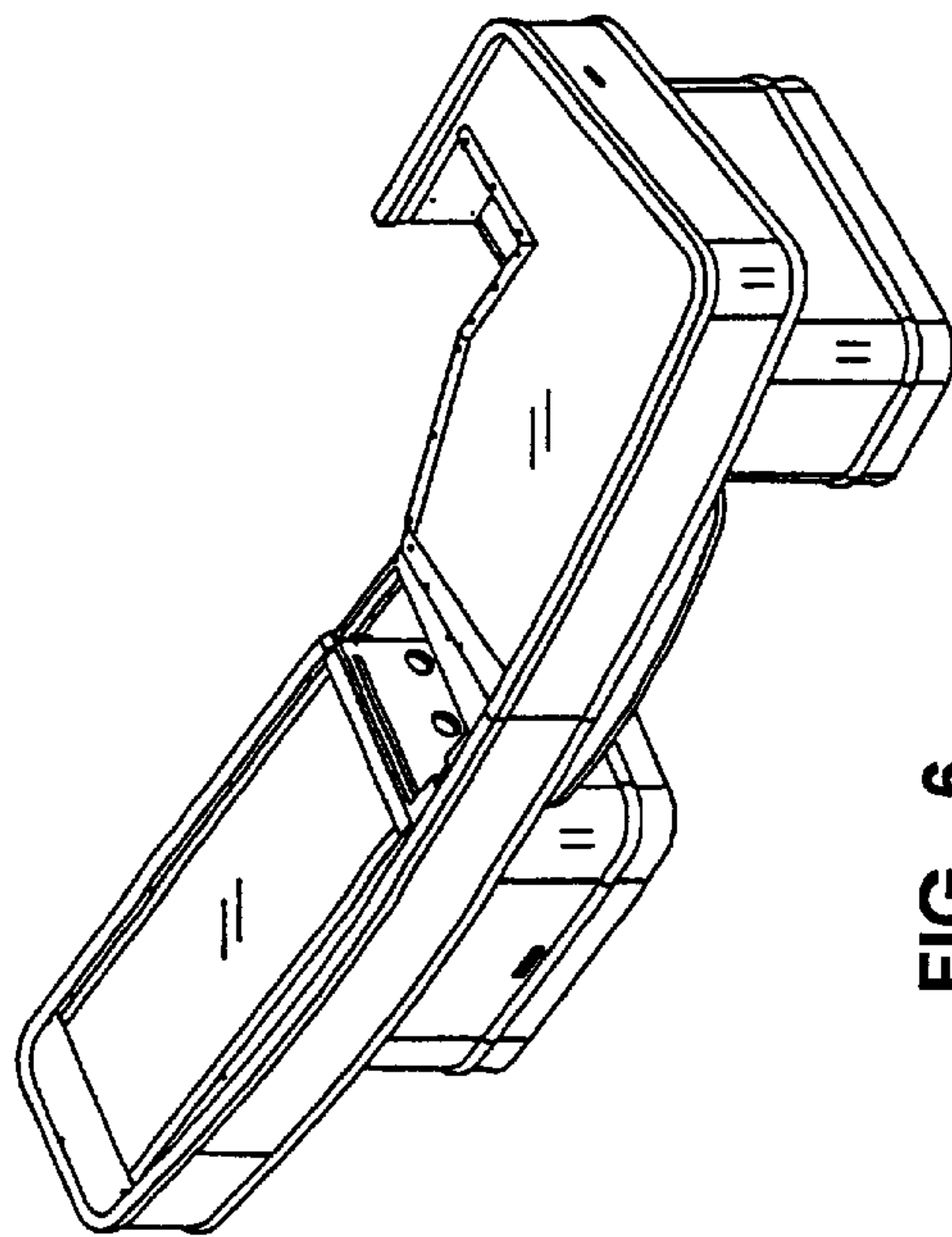


FIG. 6