



US00D439428S

(12) **United States Design Patent**
Mizuno

(10) **Patent No.:** **US D439,428 S**

(45) **Date of Patent:** **** Mar. 27, 2001**

(54) **CONNECTED CHAIRS**

(75) Inventor: **Satoshi Mizuno, Tokyo (JP)**

(73) Assignee: **Kotobuki Corporation, Tokyo (JP)**

(**) Term: **14 Years**

(21) Appl. No.: **29/114,920**

(22) Filed: **Dec. 6, 1999**

(30) **Foreign Application Priority Data**

Jun. 4, 1999 (JP) 11-14522

(51) **LOC (7) Cl.** **06-01**

(52) **U.S. Cl.** **D6/368**

(58) **Field of Search** D6/334, 335, 356,
D6/364, 368, 374, 380, 381, 500-502;
297/232, 377, 411.2, 411.44

(56) **References Cited**

U.S. PATENT DOCUMENTS

- D. 198,498 * 6/1964 Malitte D6/356
- D. 252,482 * 7/1979 Blodee D6/365
- D. 253,859 * 1/1980 Hosoe D6/372
- D. 352,400 * 11/1994 Yamazaki D6/334
- 3,287,060 * 11/1966 Thompson 297/342
- 3,729,226 * 4/1973 Barecki 297/232
- 4,211,450 * 7/1980 Sutter 297/232
- 4,382,628 * 5/1983 Palmgren 297/232

- 5,375,914 * 12/1994 Donnelly 297/335
- 5,671,975 * 9/1997 Muller 297/232
- 5,678,889 * 10/1997 Purcell, Jr. 297/232

* cited by examiner

Primary Examiner—Doris V. Coles

Assistant Examiner—Mimosa De

(74) *Attorney, Agent, or Firm*—Young & Thompson

(57) **CLAIM**

The ornamental design for connected chairs, as shown and described.

DESCRIPTION

FIG. 1 is a front view of connected chairs embodying my new design;

FIG. 2 is a rear view thereof;

FIG. 3 is a top plan view thereof;

FIG. 4 is a bottom view thereof;

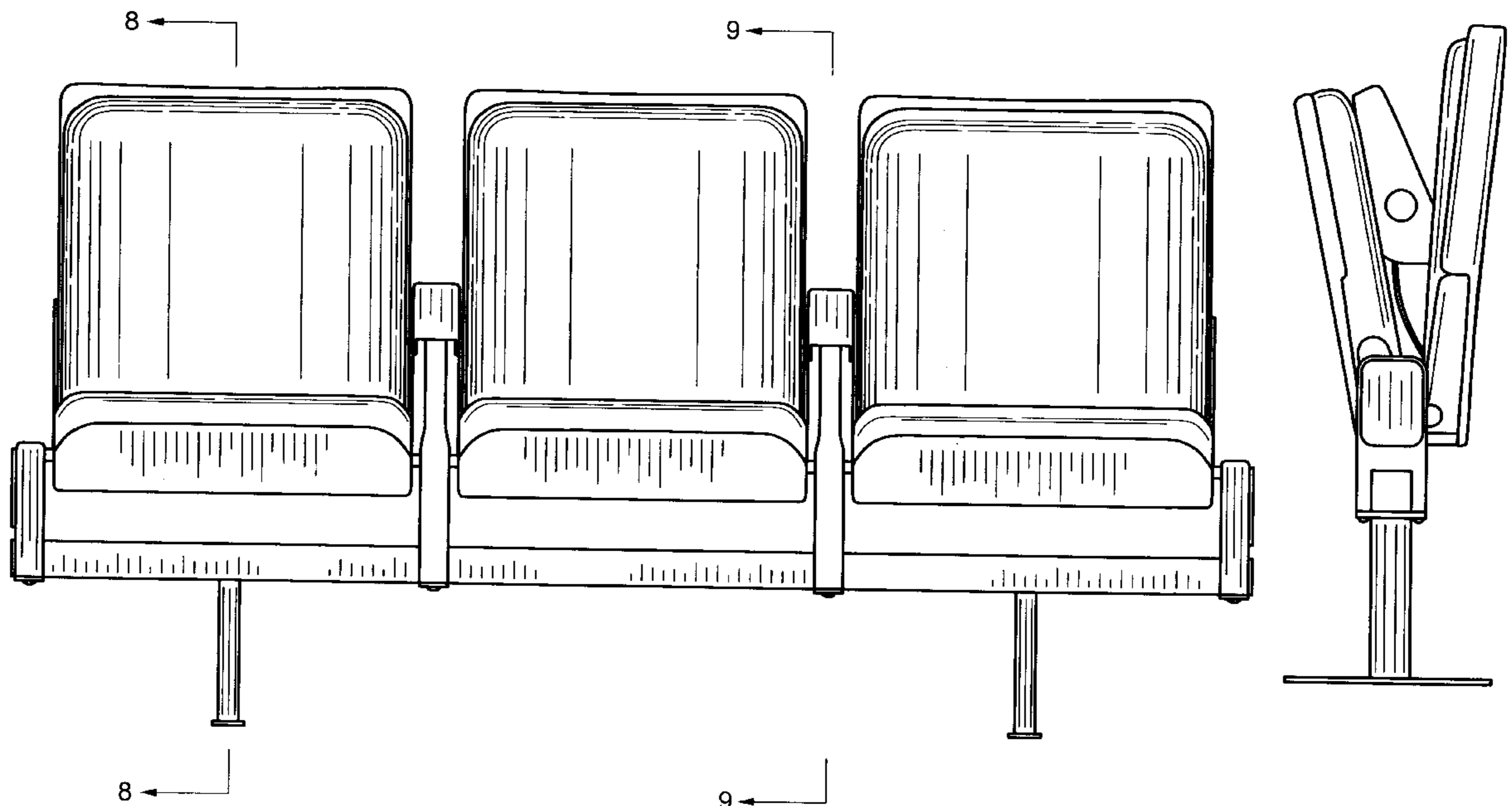
FIG. 5 is a right side view thereof, it being understood that left side view is mirror image to the right side view;

FIG. 6 is a right side view showing the seat portions in their lifted positions;

FIG. 7 is a sectional view taken along line 7—7 in FIG. 3; FIG. 8 is a sectional view taken along line 8—8 in FIG. 1; and,

FIG. 9 is a sectional view taken along line 9—9 in FIG. 1.

1 Claim, 7 Drawing Sheets



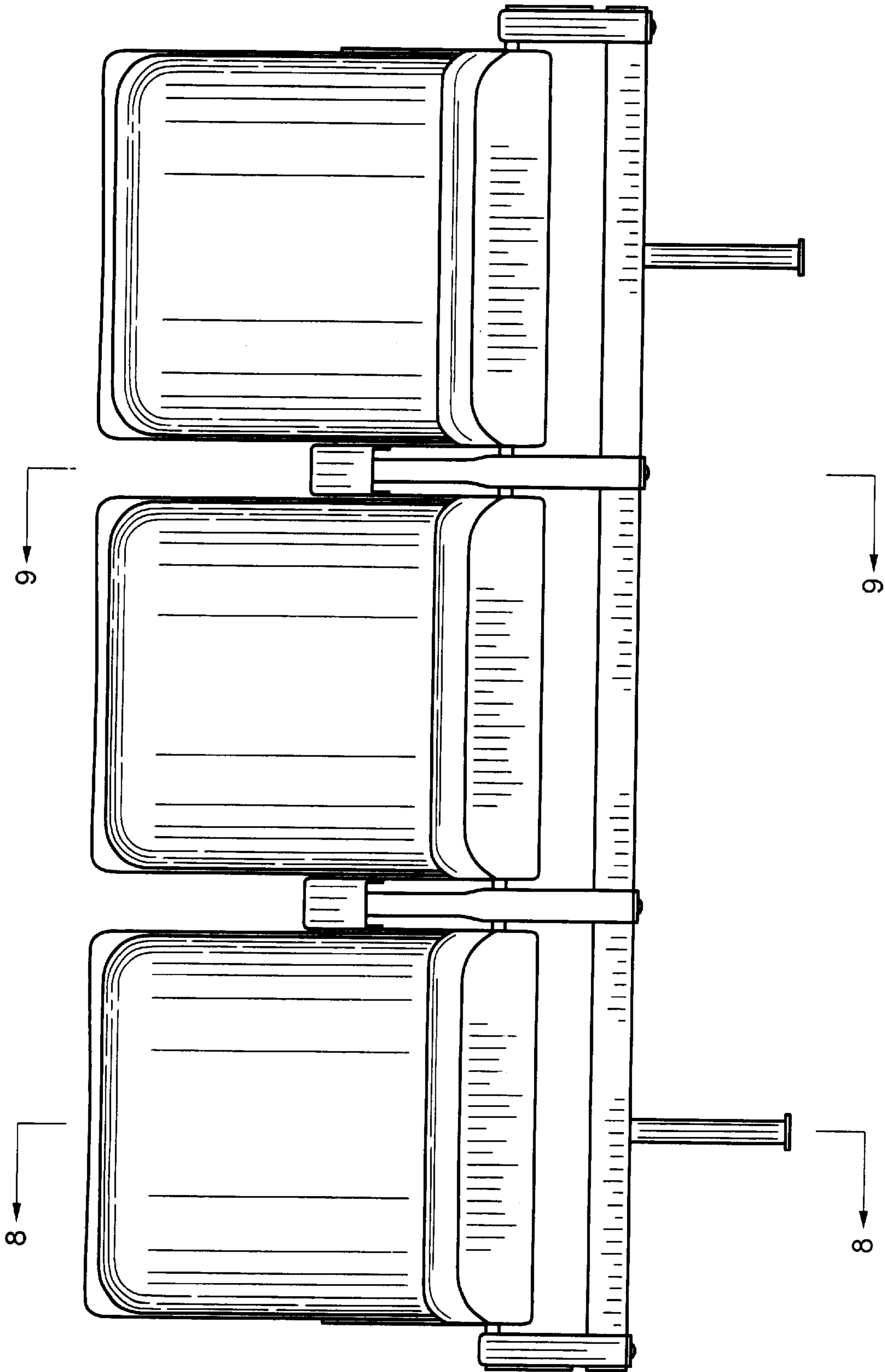


FIG. 1

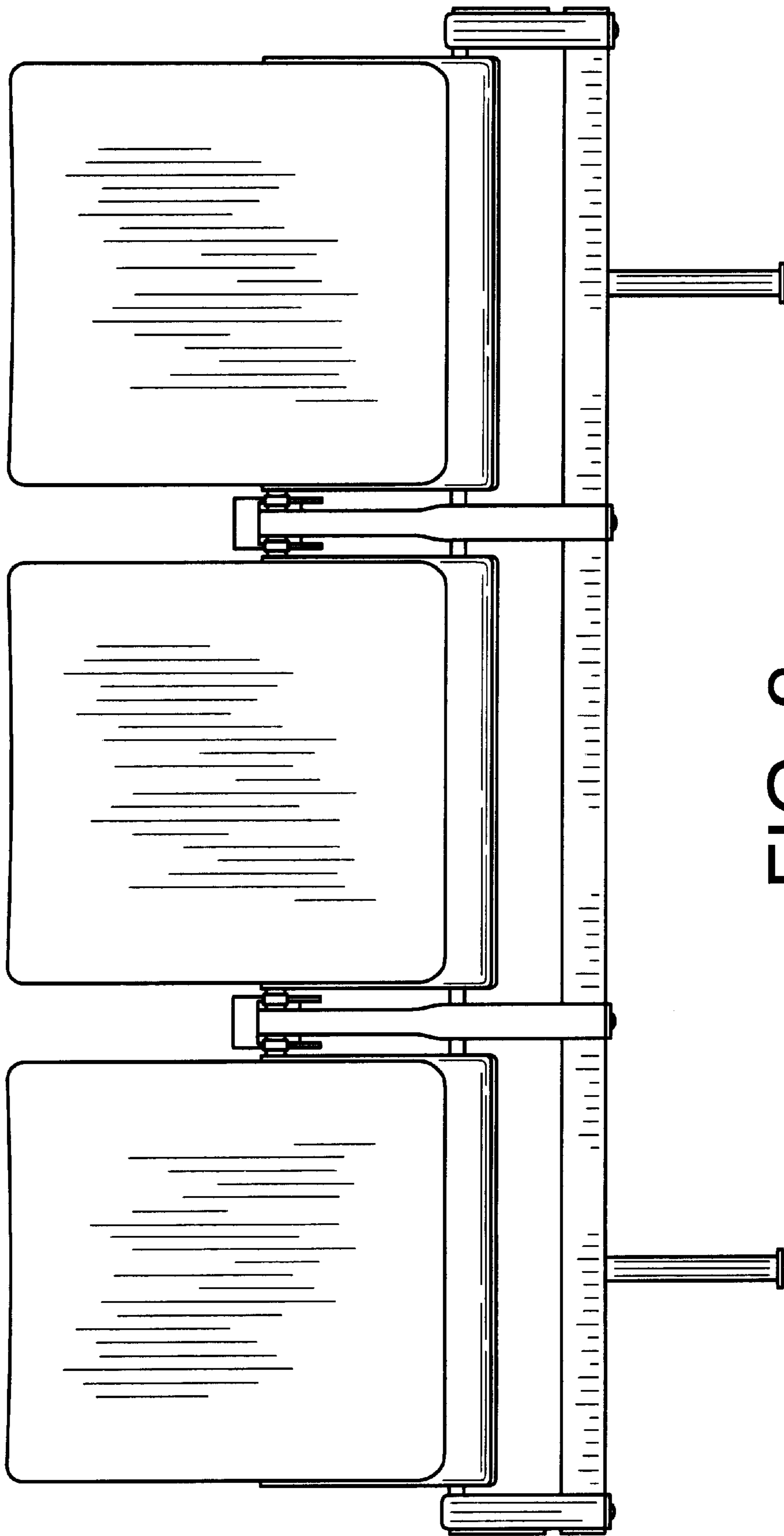


FIG. 2

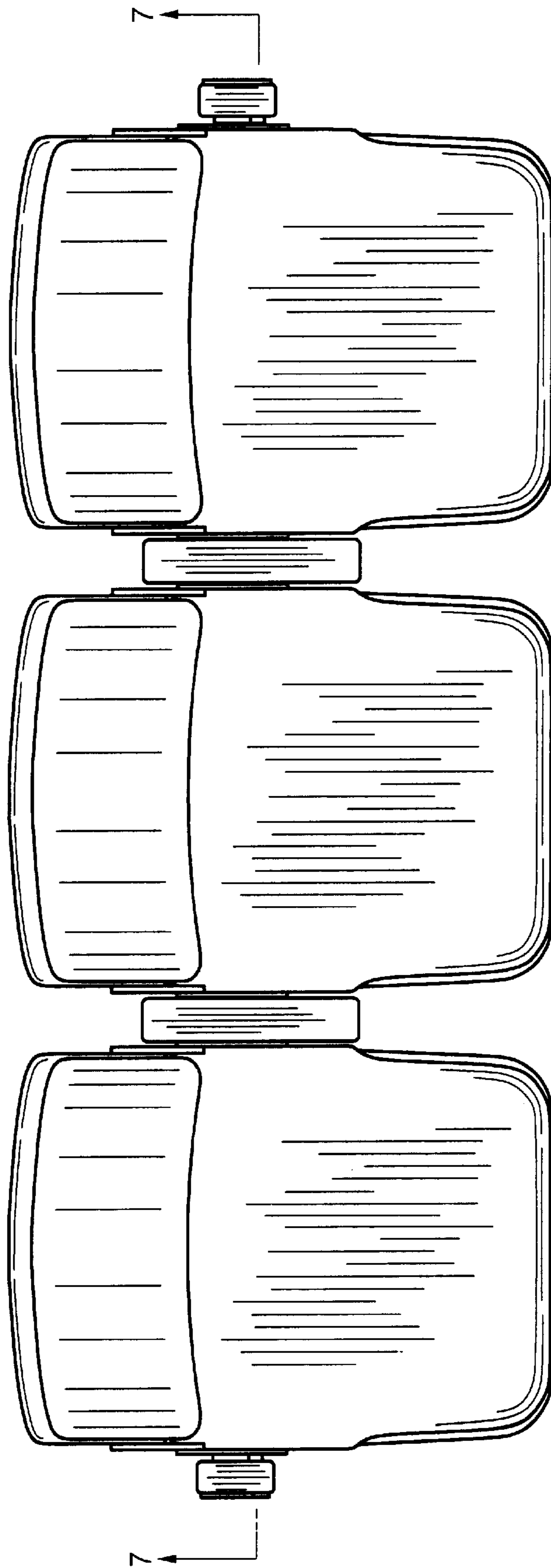


FIG. 3

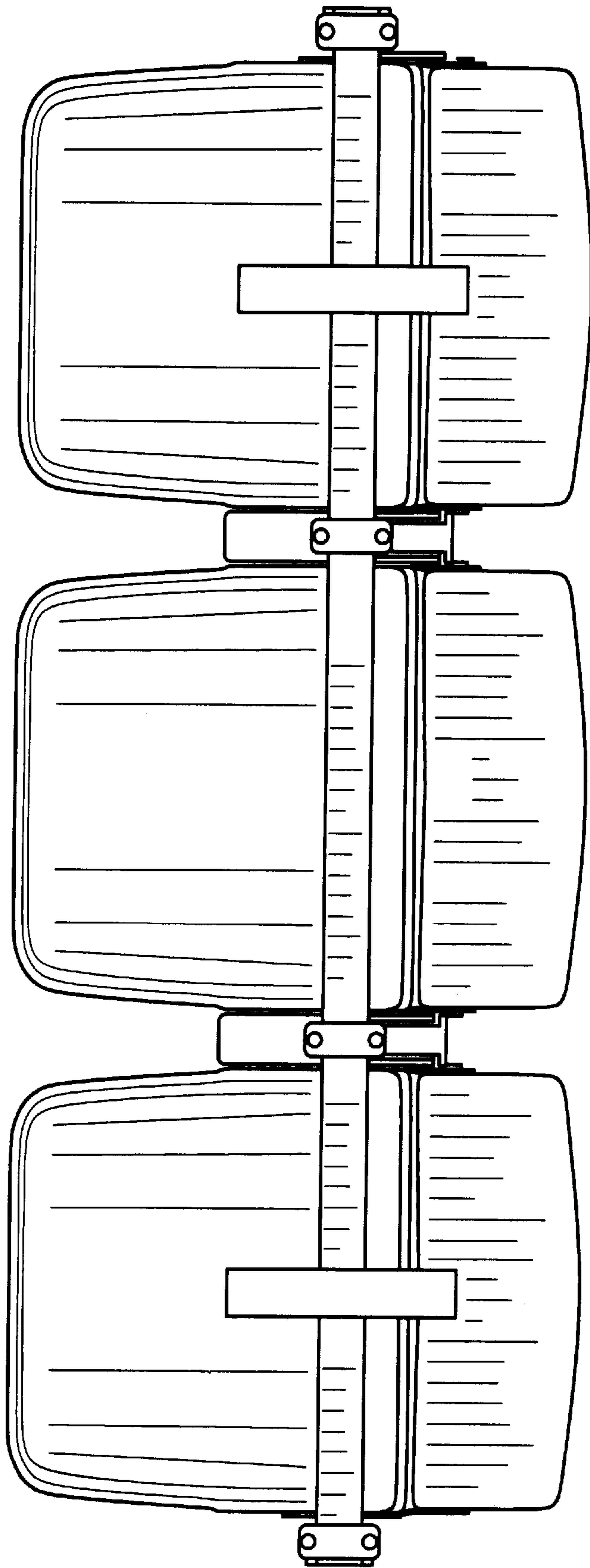


FIG. 4

FIG. 6

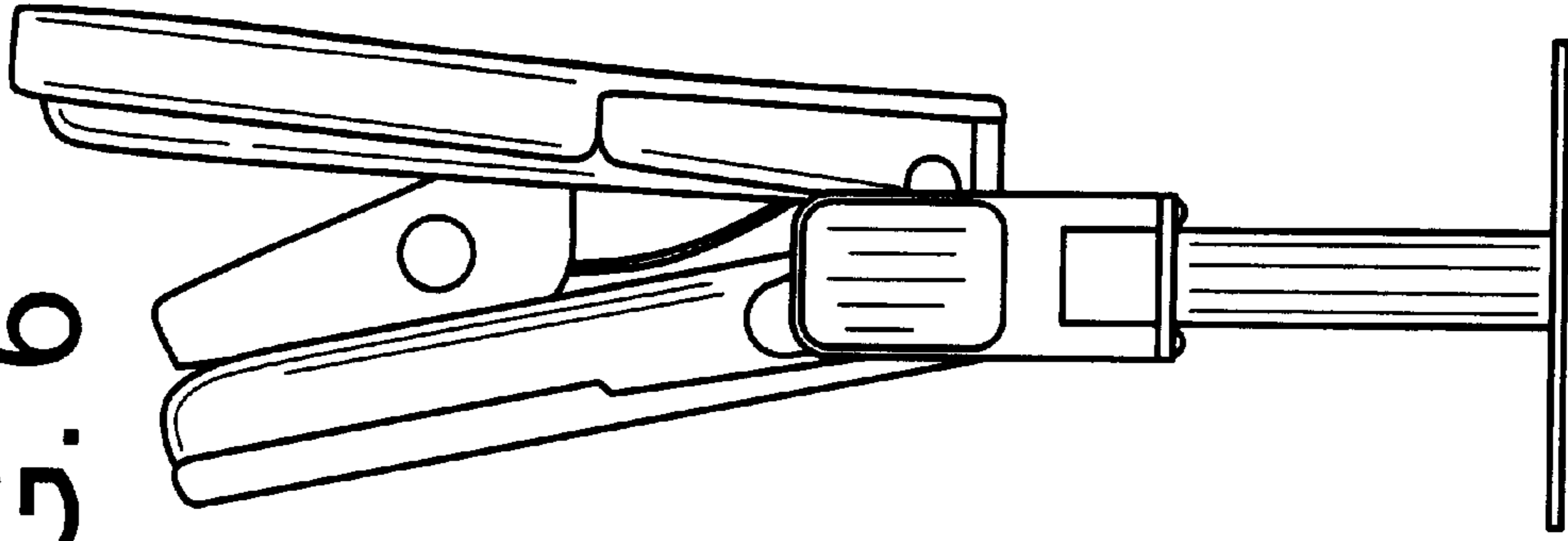
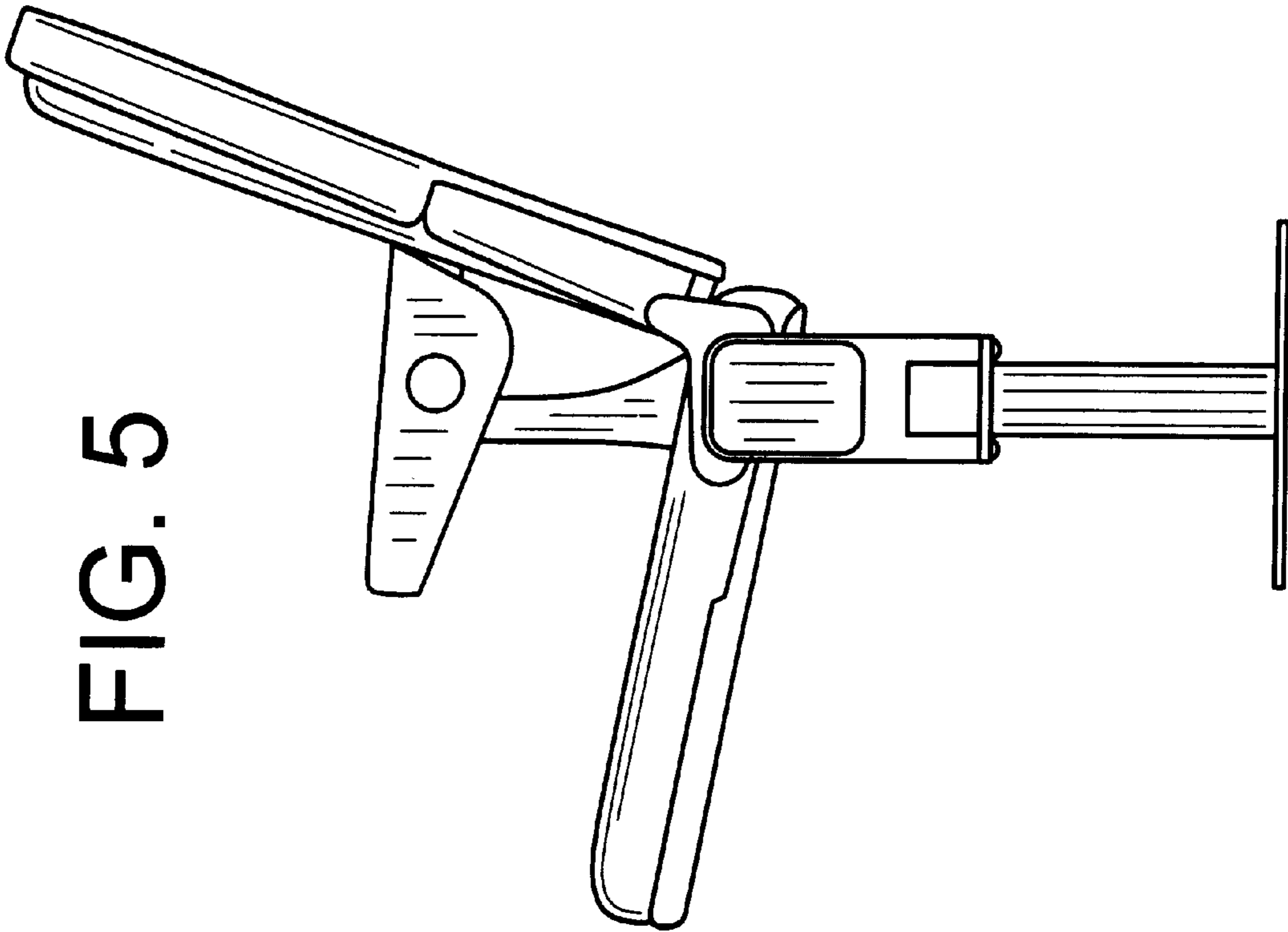


FIG. 5



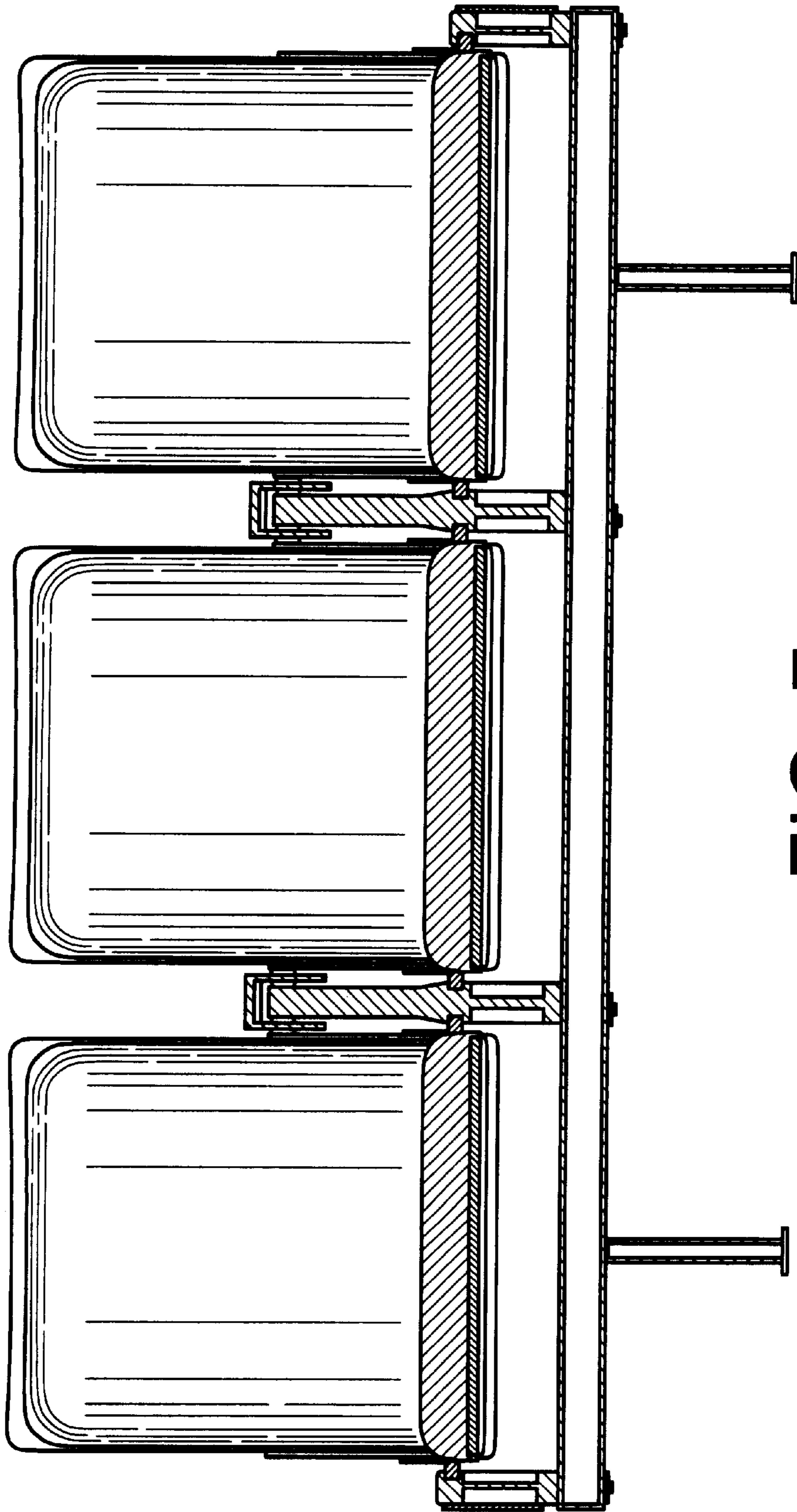


FIG. 7

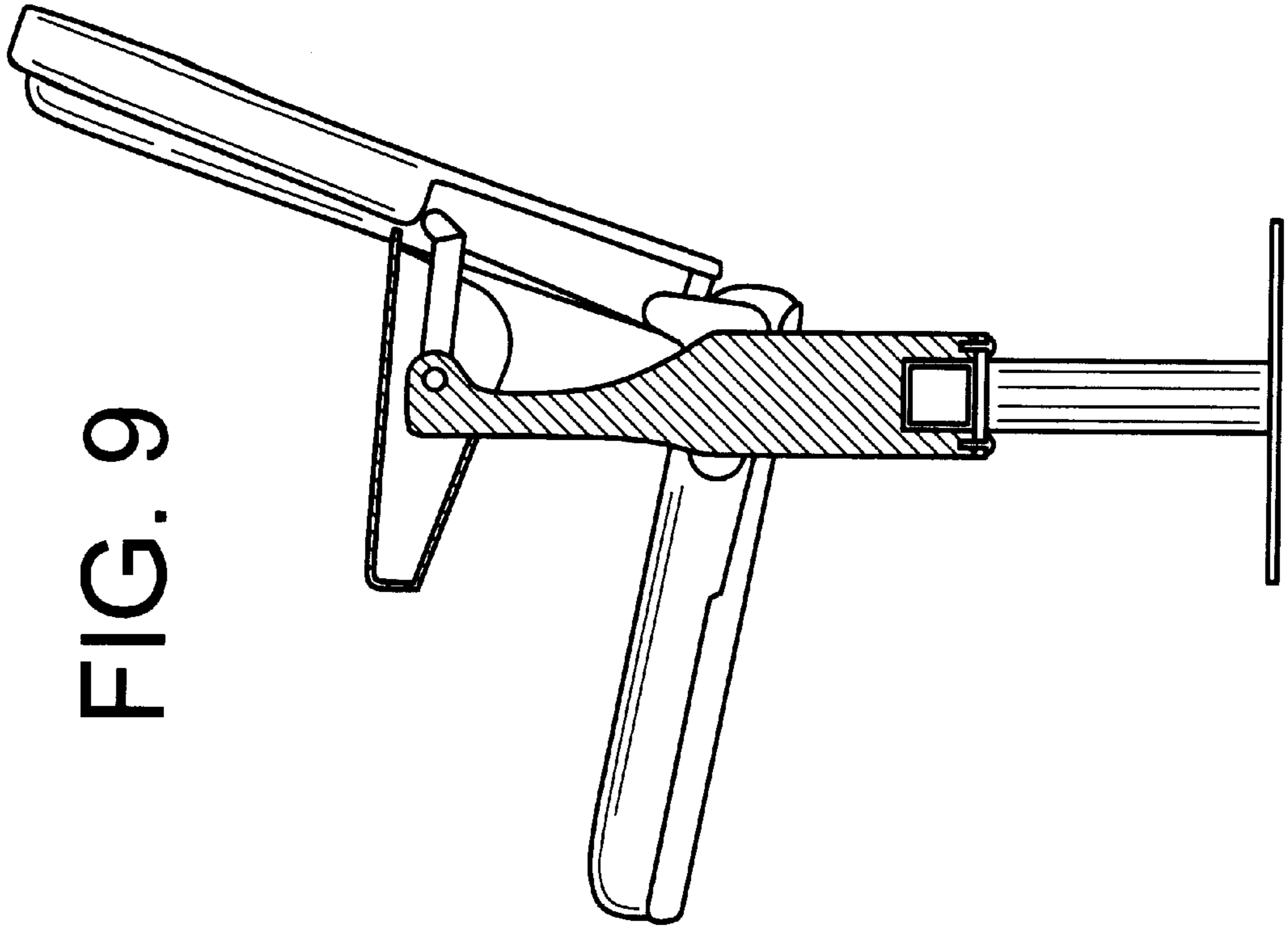


FIG. 9

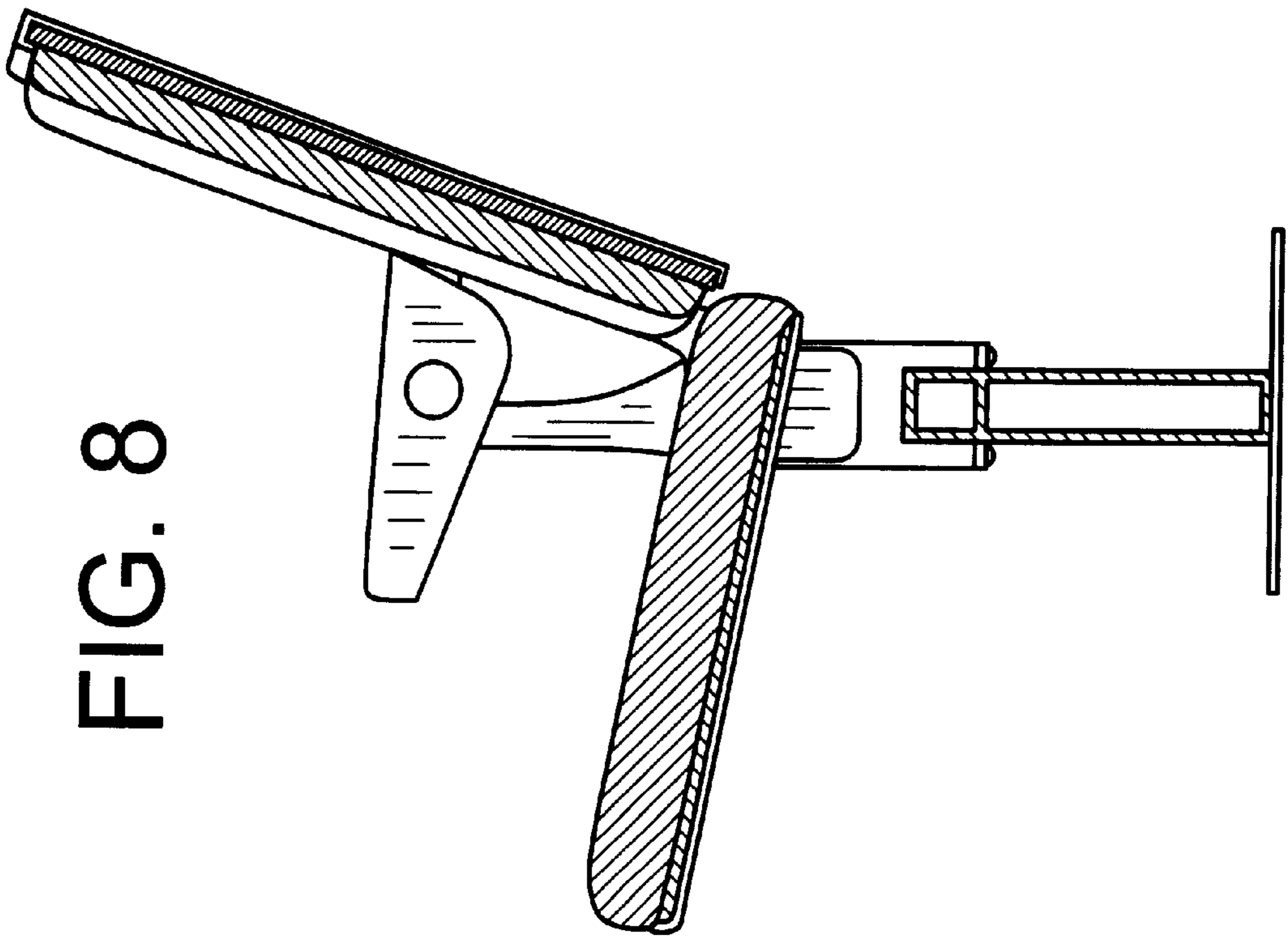


FIG. 8