



US00D439424S

(12) **United States Design Patent**
Lannutti

(10) **Patent No.:** **US D439,424 S**

(45) **Date of Patent:** **** Mar. 27, 2001**

(54) **CHILD'S ROCKING CHAIR**

(76) Inventor: **Maurice A. Lannutti**, 5101 37th Way
South, St. Petersburg, FL (US) 33711

(**) Term: **14 Years**

(21) Appl. No.: **29/123,840**

(22) Filed: **May 25, 2000**

(51) **LOC (7) Cl.** **06-01**

(52) **U.S. Cl.** **D6/345; D6/359**

(58) **Field of Search** **D6/334, 335, 336,
D6/345, 351, 358, 359, 500-502; D21/412,
414, 415, 651; 297/181, 258.1, 271.5; 280/1.175**

(56) **References Cited**

U.S. PATENT DOCUMENTS

D. 138,798	*	9/1944	Bunnell	D21/651
D. 148,724	*	2/1948	Schauenberg	D21/415
D. 193,182	*	7/1962	Hunter	D6/345
D. 206,710	*	1/1967	Raidford	D21/359
D. 269,390	*	6/1983	Court	D6/345
D. 295,988	*	5/1988	Vanderlugt	D21/651
D. 325,607	*	4/1992	Lammers et al.	D21/651
D. 361,351	*	8/1995	Smith et al.	D21/651
D. 364,197	*	11/1995	Uebergang	D21/651
1,364,711	*	1/1921	Cedarberg	280/1.175

* cited by examiner

Primary Examiner—Doris V. Coles

Assistant Examiner—Mimosa De

(74) *Attorney, Agent, or Firm*—Dennis G. LaPointe; Mason & Assoc., PA

(57) **CLAIM**

I claim the ornamental design for child's rocking chair, as shown and described.

DESCRIPTION

FIG. 1 is a right side elevational view of the design; FIG. 2 is a left side elevational view of the design; FIG. 3 is a front elevational view of the design; FIG. 4 is a rear elevational view of the design; FIG. 5 is a top view of the design of FIG. 1; FIG. 6 is a bottom view of the design; FIG. 7 is a right side elevational view of a second embodiment of the design; FIG. 8 is a left side elevational view of the embodiment of FIG. 7; FIG. 9 is a front elevational view of the embodiment of FIG. 7; FIG. 10 is a rear view of the embodiment of FIG. 7; FIG. 11 is a top view of the embodiment of FIG. 7; and, FIG. 12 is a bottom view of the embodiment of FIG. 7.

1 Claim, 8 Drawing Sheets



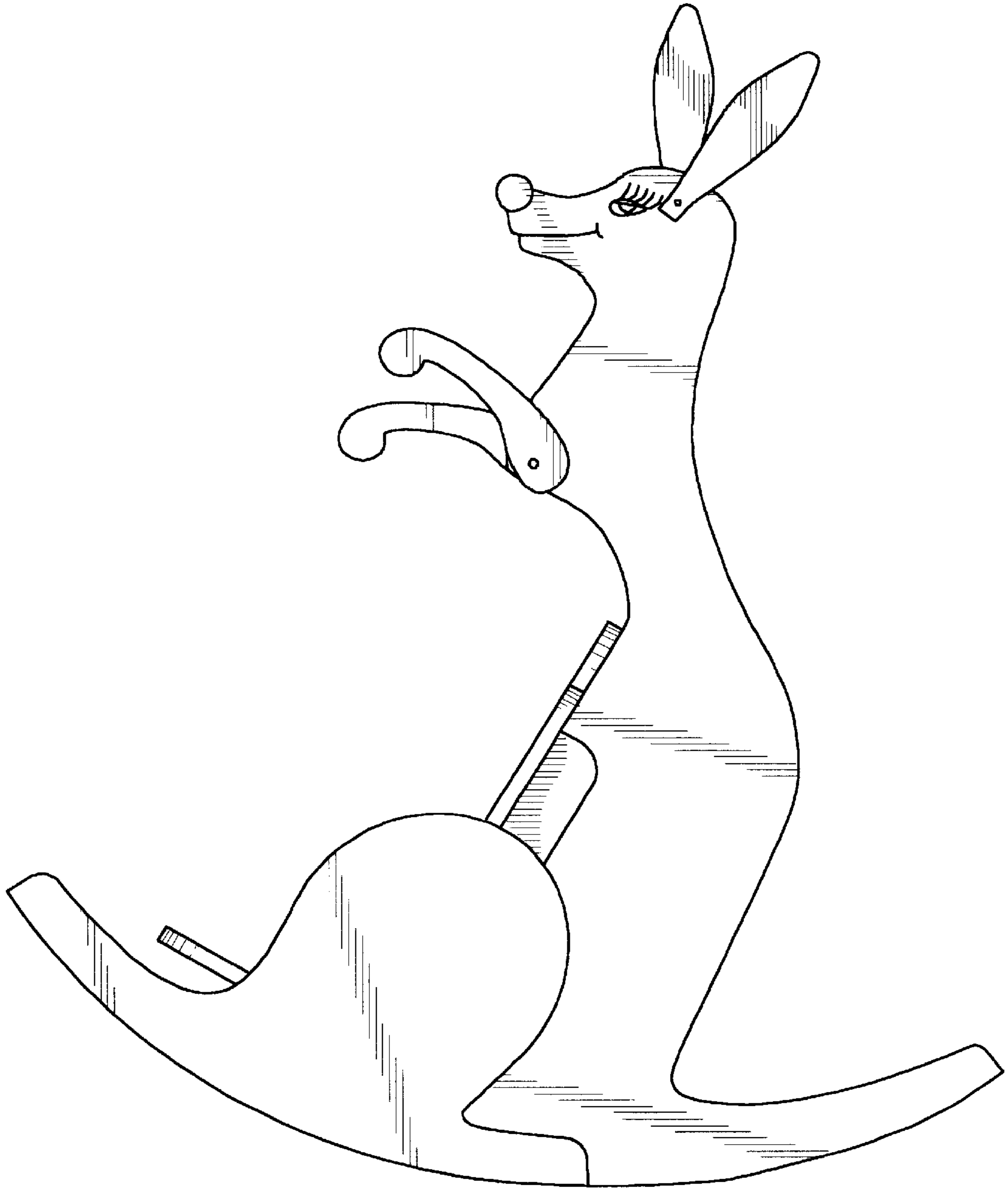


Fig. 1



Fig. 2

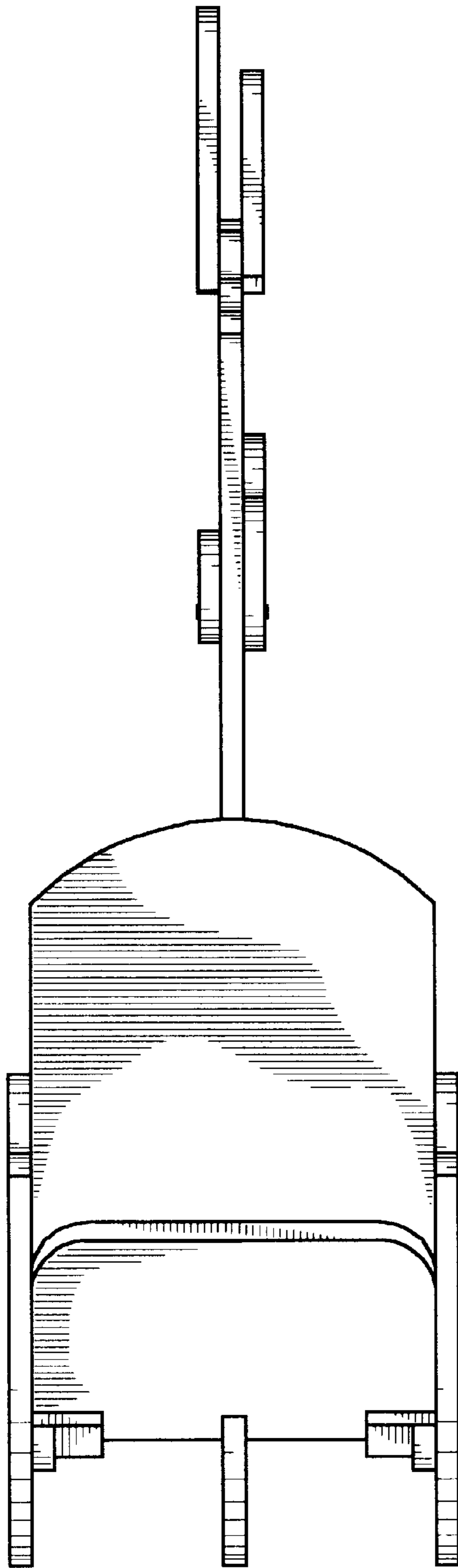


Fig. 3

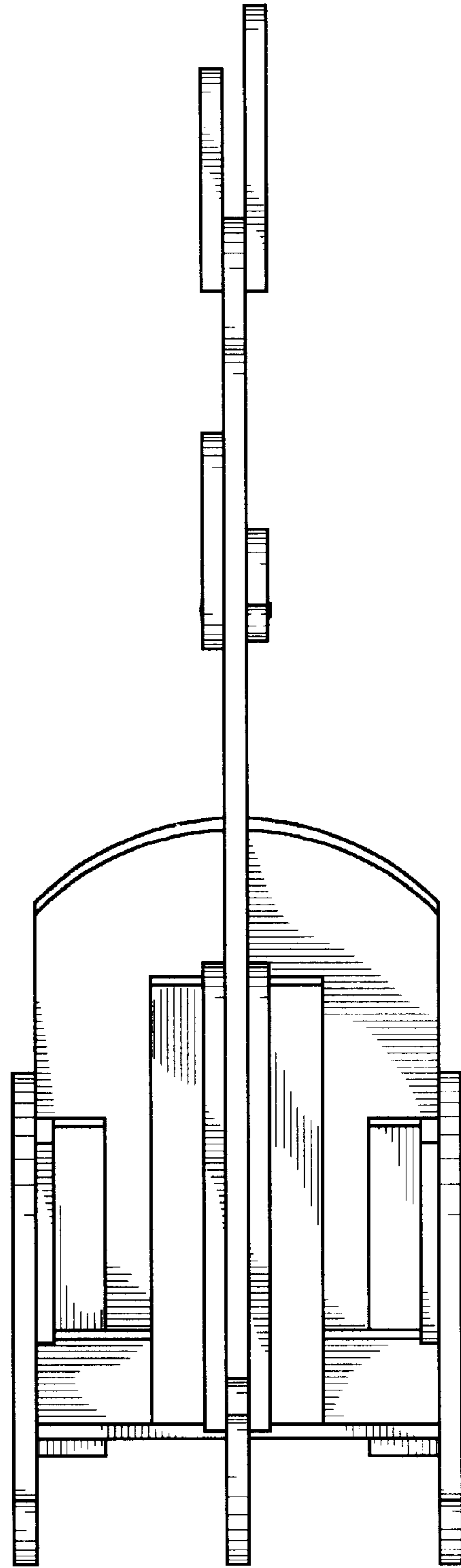


Fig. 4

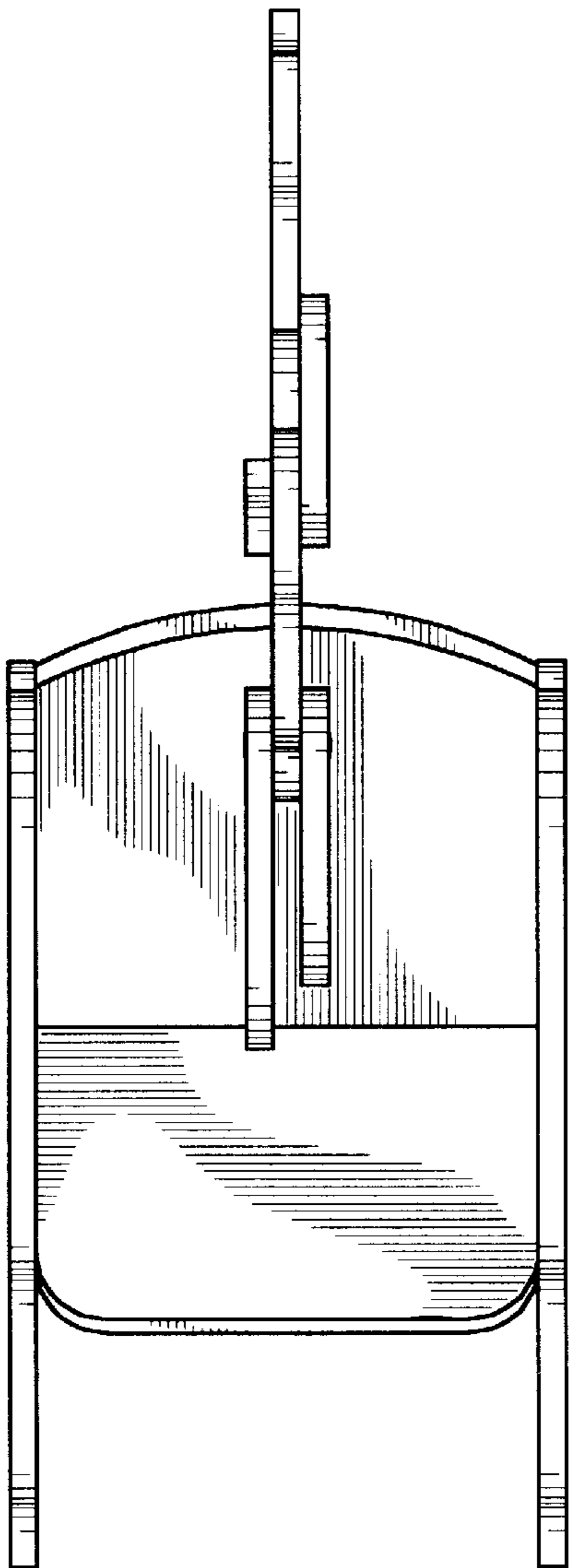


Fig. 5

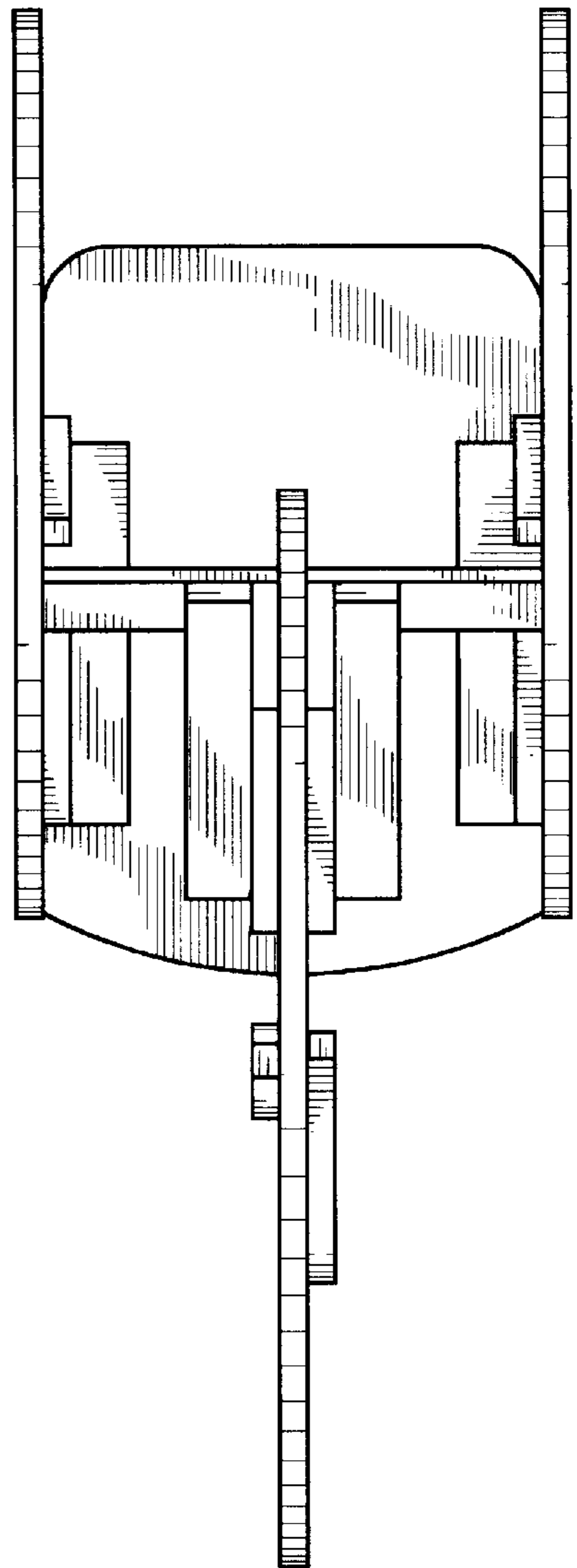


Fig. 6

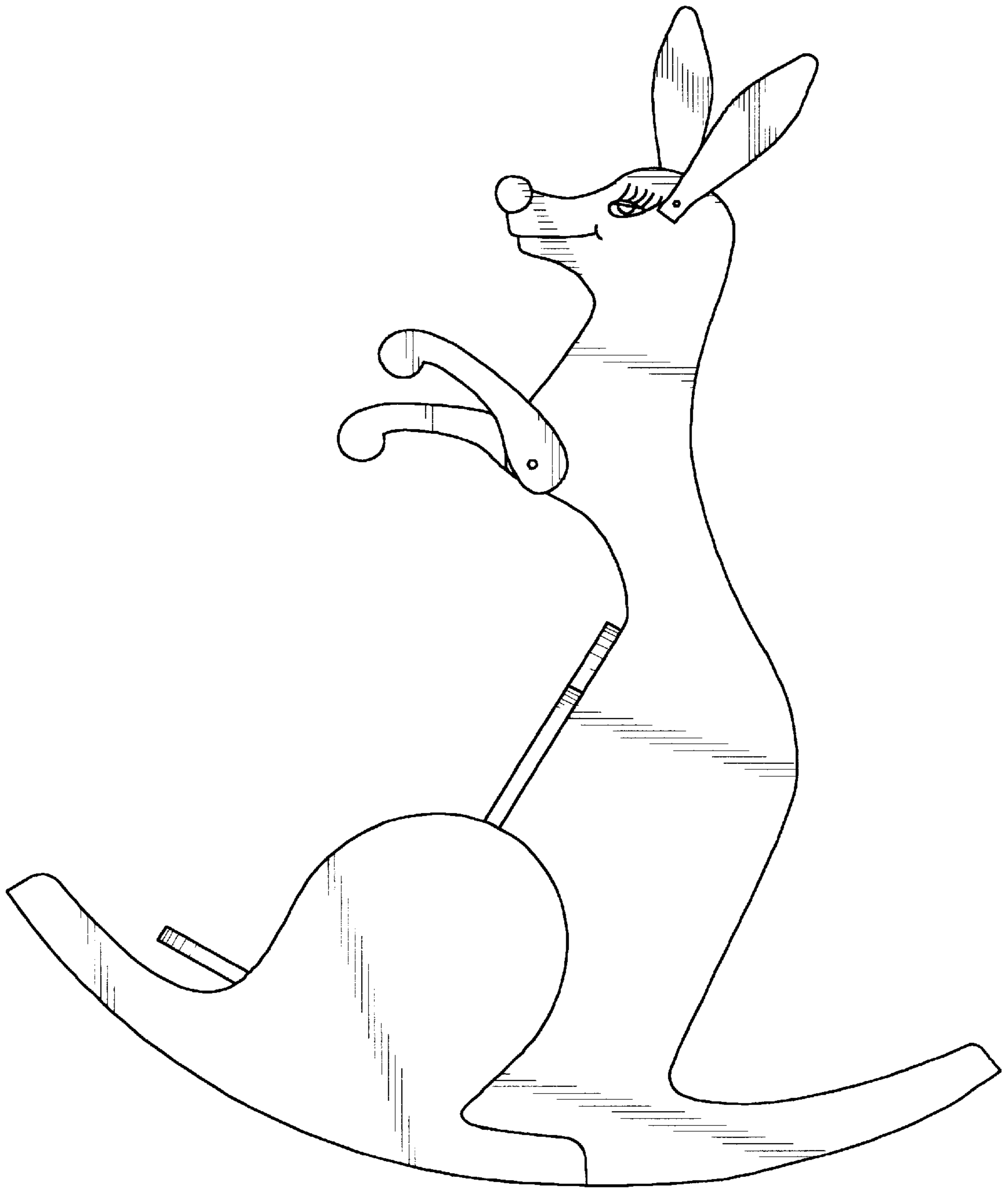


Fig. 7

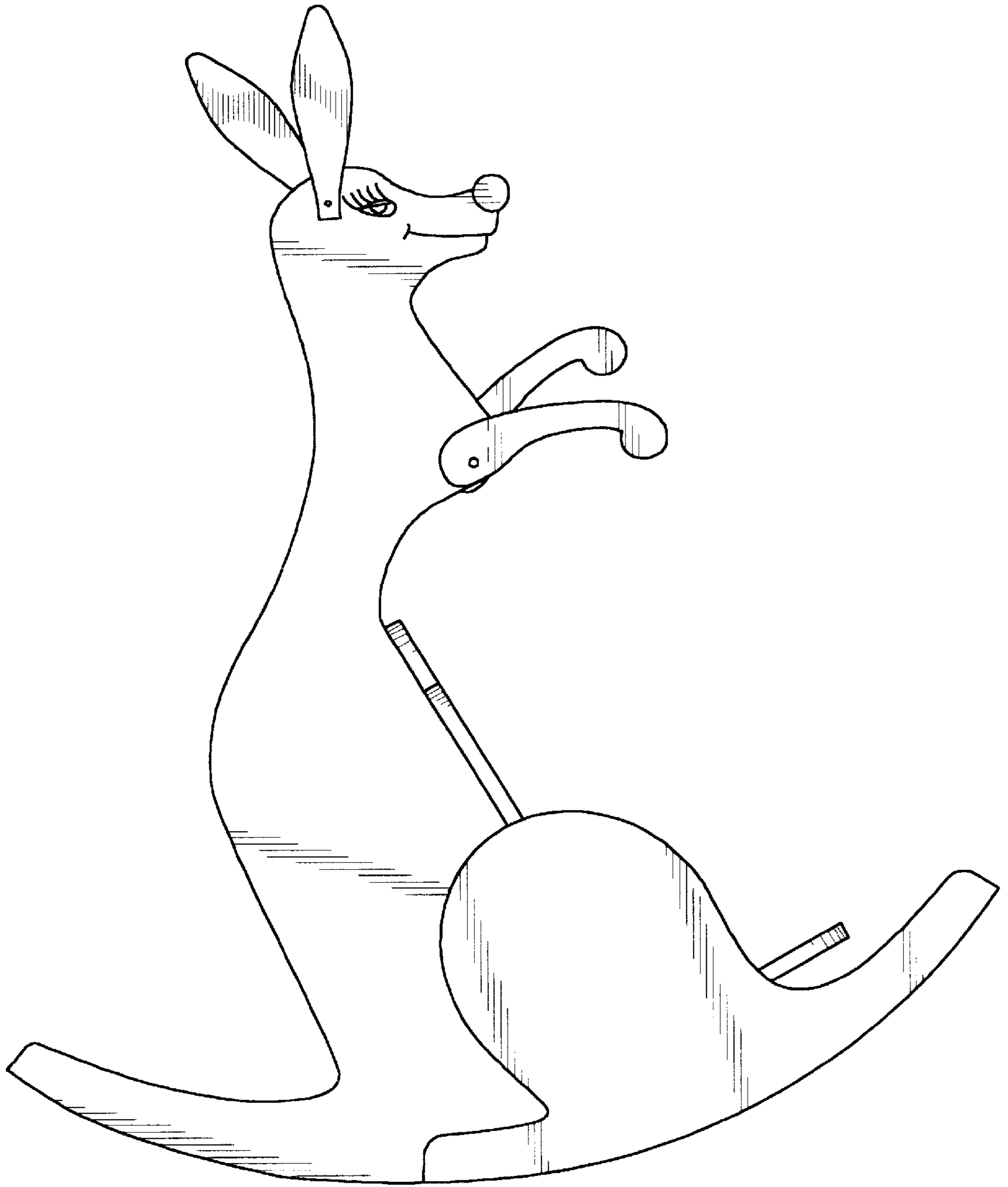


Fig. 8

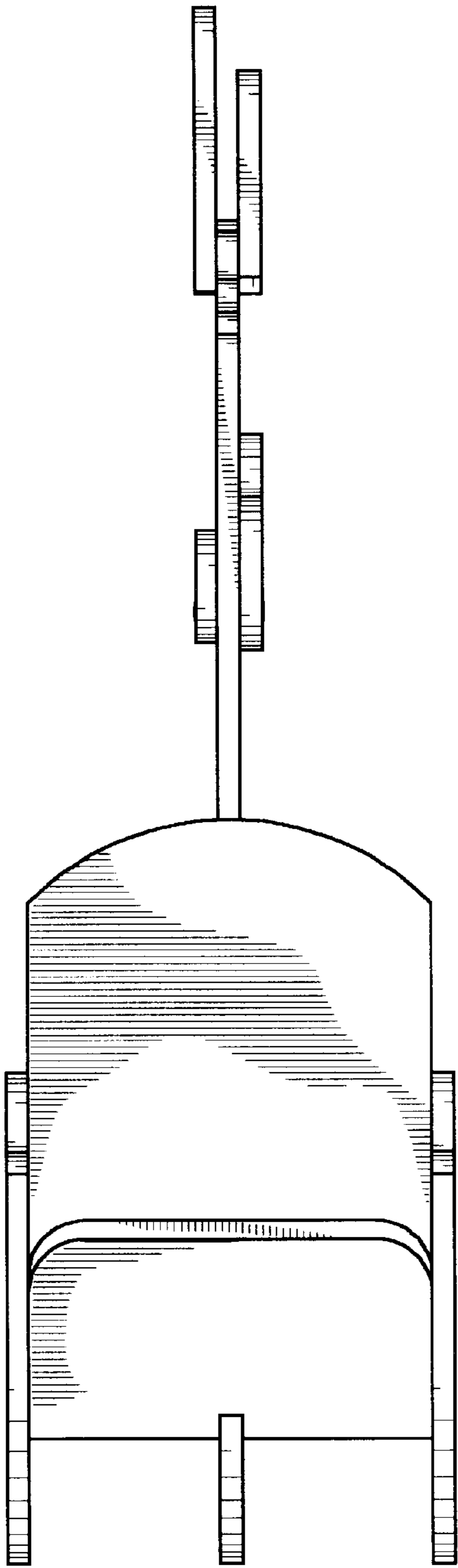


Fig. 9

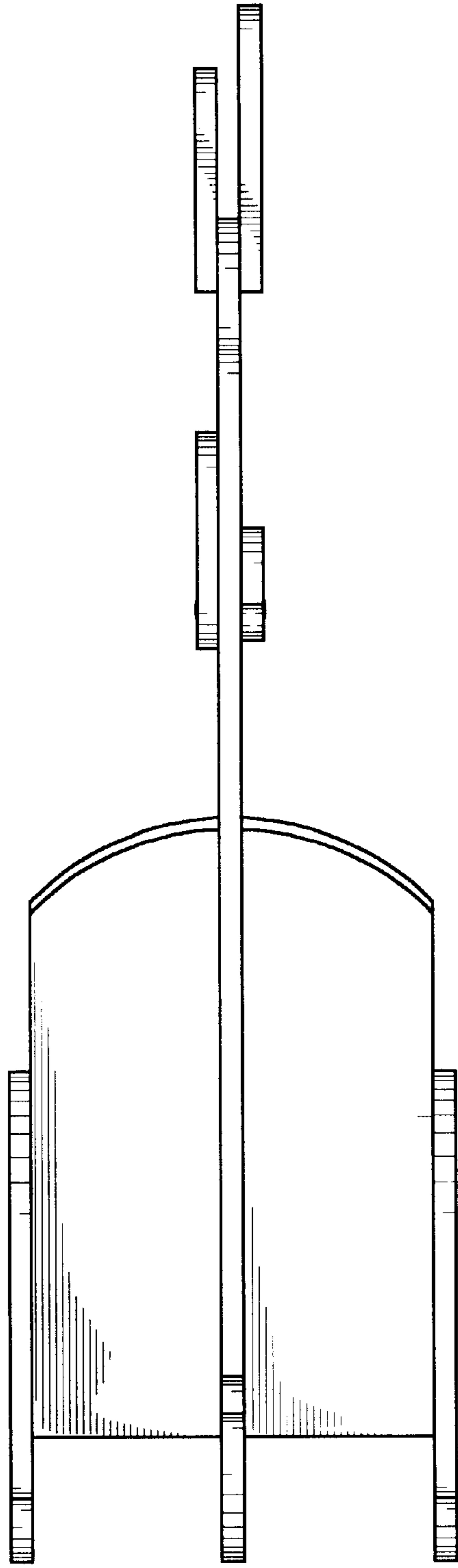


Fig. 10

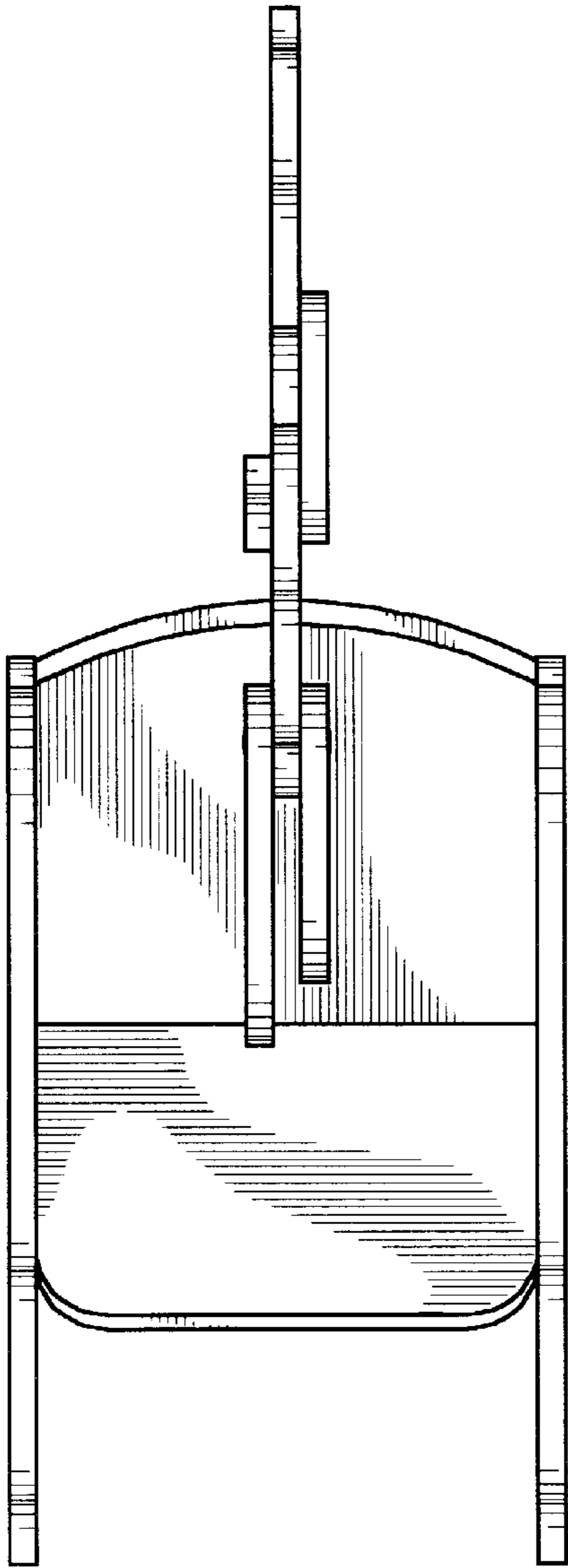


Fig. 11

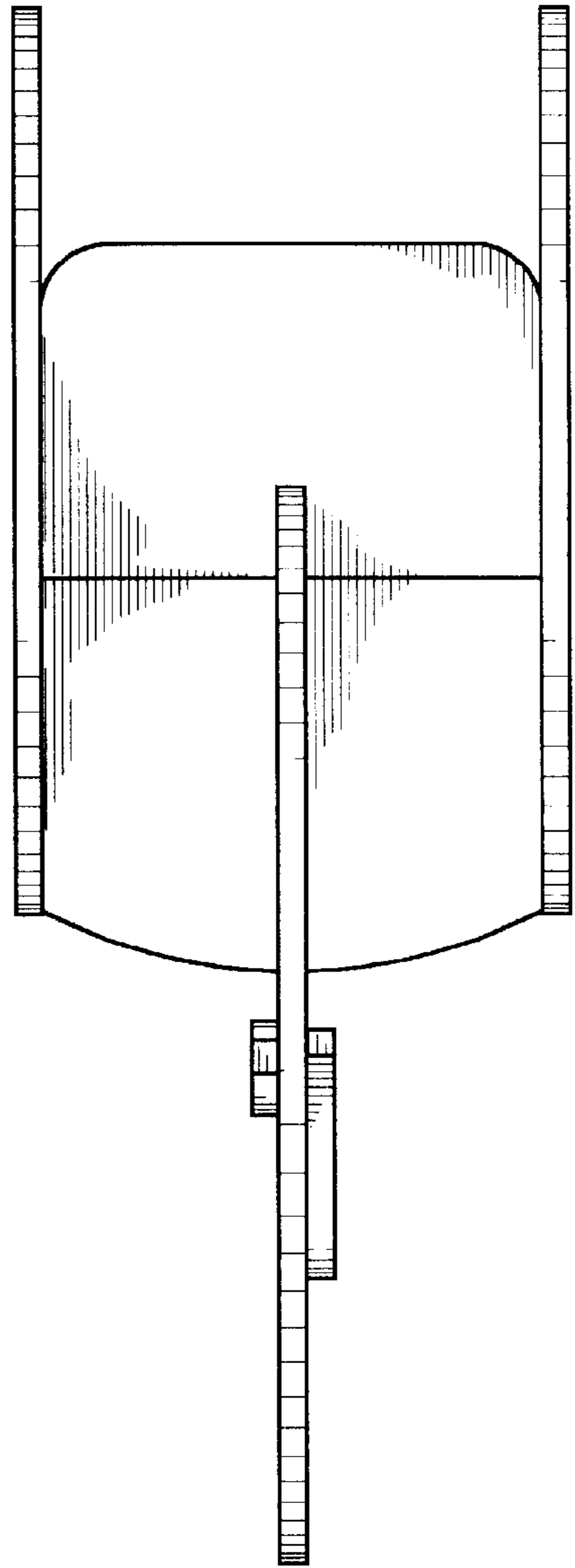


Fig. 12