



US00D439423S

(12) **United States Design Patent**
Tseng

(10) **Patent No.:** **US D439,423 S**

(45) **Date of Patent:** **** Mar. 27, 2001**

- (54) **SWING**
- (75) **Inventor:** **Chuen-Jong Tseng, Chiayi Hsien (TW)**
- (73) **Assignee:** **Shin Yeh Enterprise Co., Ltd., Chiayi Hsien (TW)**
- (**) **Term:** **14 Years**
- (21) **Appl. No.:** **29/123,775**
- (22) **Filed:** **May 24, 2000**
- (51) **LOC (7) Cl.** **06-01**
- (52) **U.S. Cl.** **D6/344**
- (58) **Field of Search** **D6/334, 335, 344, D6/346, 347, 374, 375, 500-502; 297/273, 277, 280, 281, 452.13, 452.19, 452.2; 472/118, 125**

D. 423,802	*	5/2000	Tseng	D6/347
4,351,524	*	9/1982	Gomes	297/280
5,842,741	*	12/1998	Onorini	297/273
6,001,021	*	12/1999	Battaglia	472/118

* cited by examiner

Primary Examiner—Doris V. Coles

Assistant Examiner—Mimosa De

(74) *Attorney, Agent, or Firm*—Ladas & Parry

(57) **CLAIM**

The ornamental design for swing, as shown and described.

DESCRIPTION

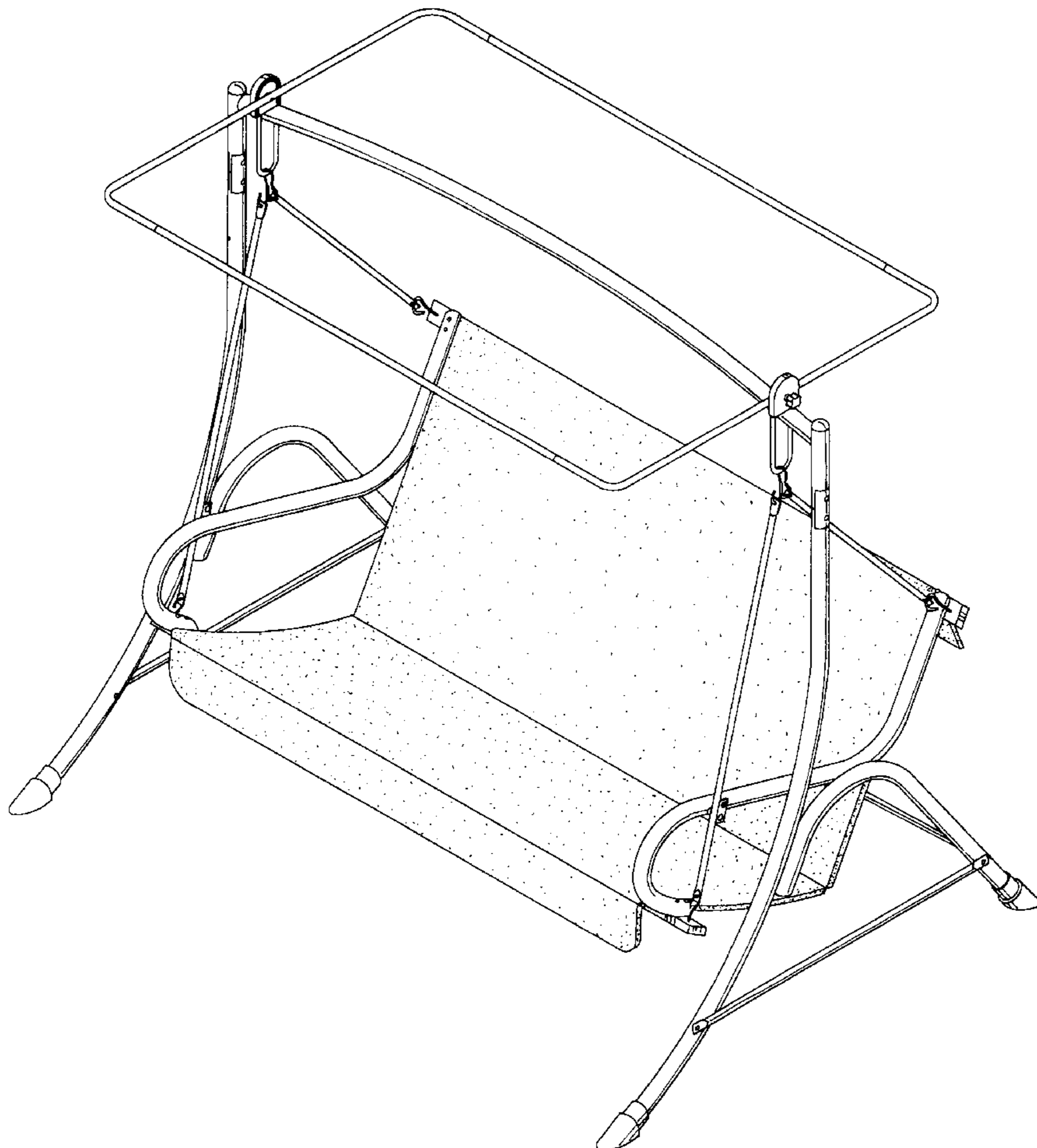
FIG. 1 is a perspective view of swing showing my new design;
 FIG. 2 is a front elevational view thereof;
 FIG. 3 is a rear elevational view thereof;
 FIG. 4 is a left side elevational view thereof;
 FIG. 5 is a right side elevational view thereof;
 FIG. 6 is a top plan view thereof; and,
 FIG. 7 is a bottom plan view thereof.

(56) **References Cited**

U.S. PATENT DOCUMENTS

D. 260,110	*	8/1981	Gomes	D6/347
D. 396,564	*	8/1998	Tseng	D6/347

1 Claim, 6 Drawing Sheets



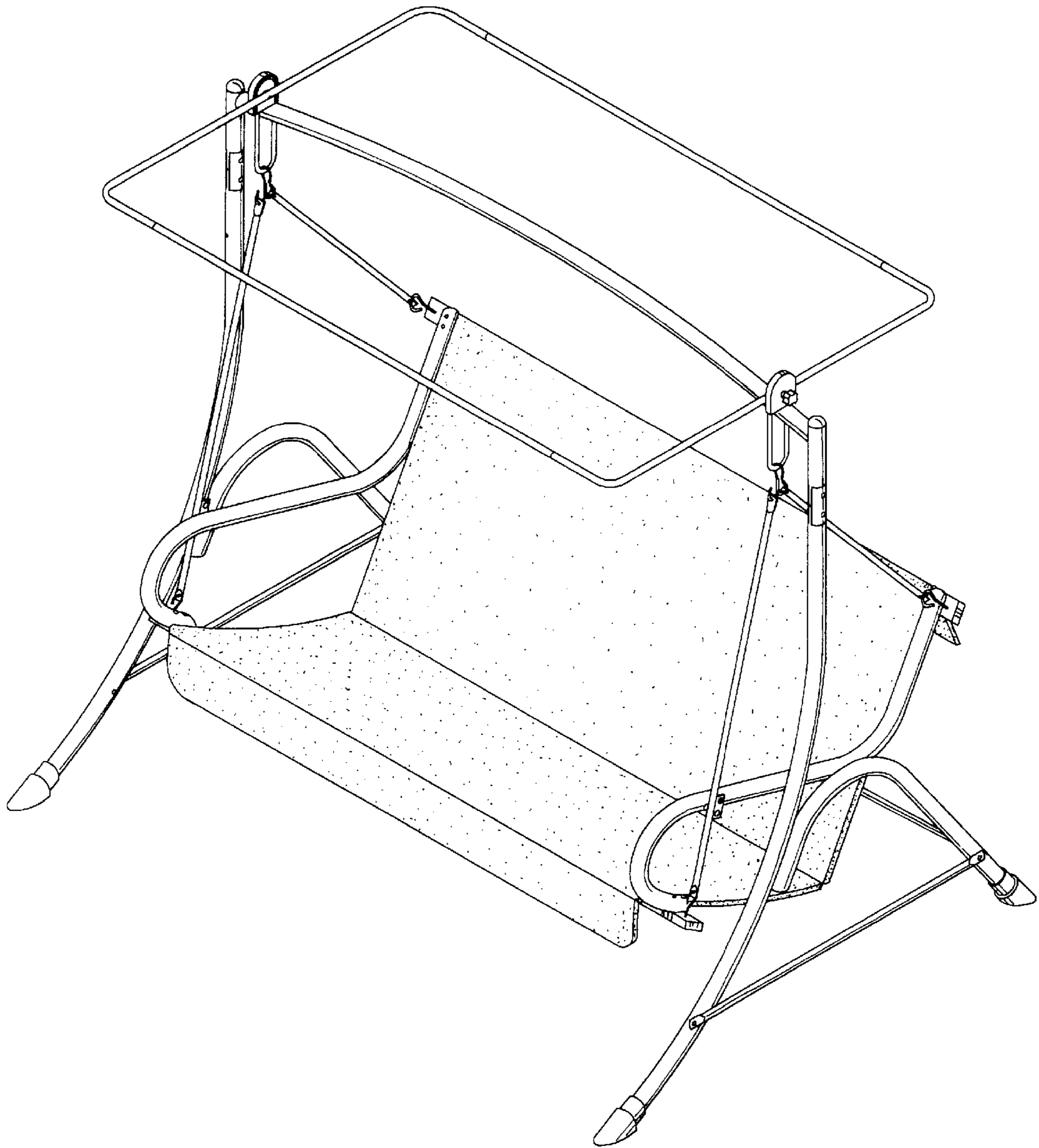


FIG. 1

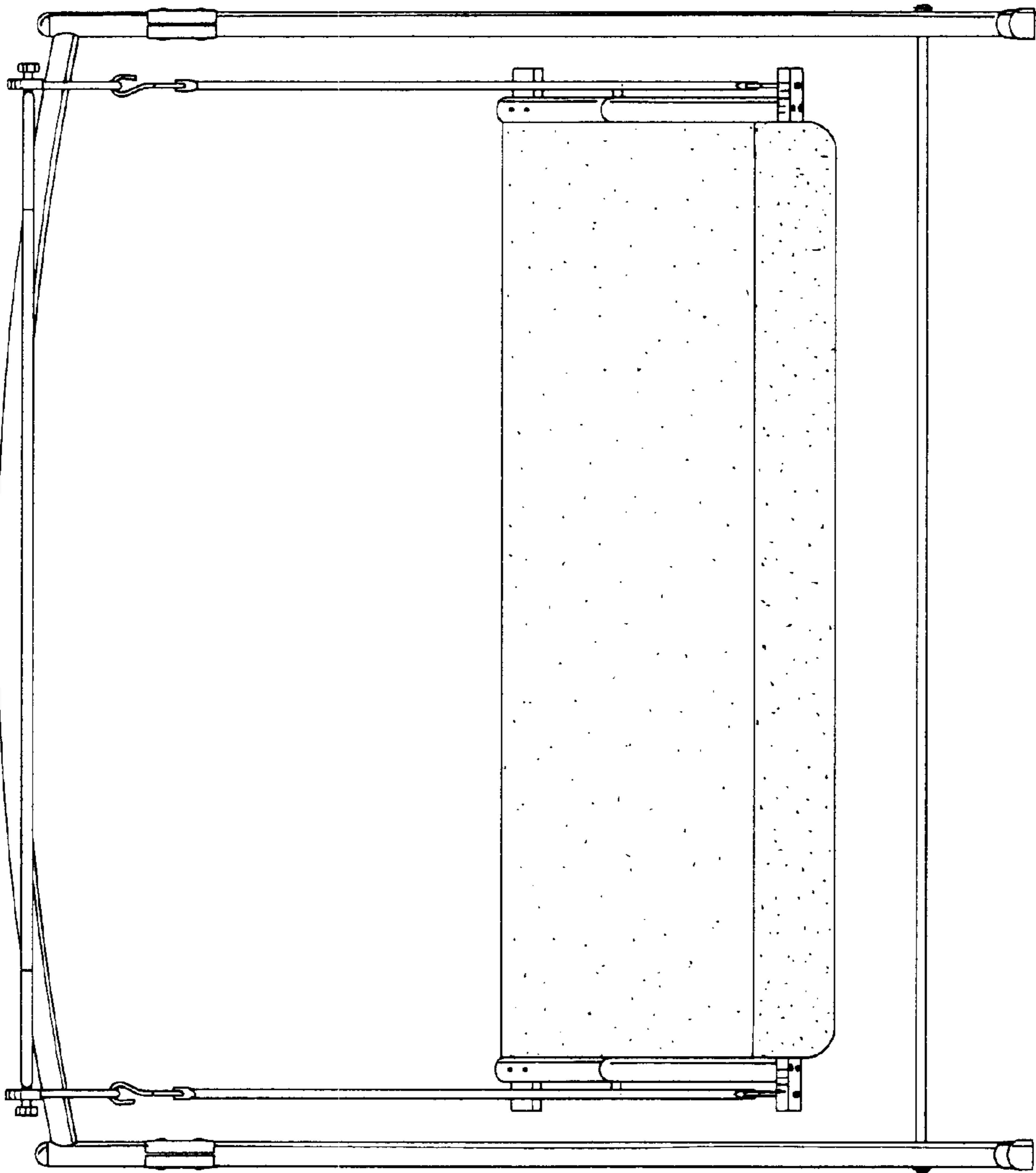


FIG. 2

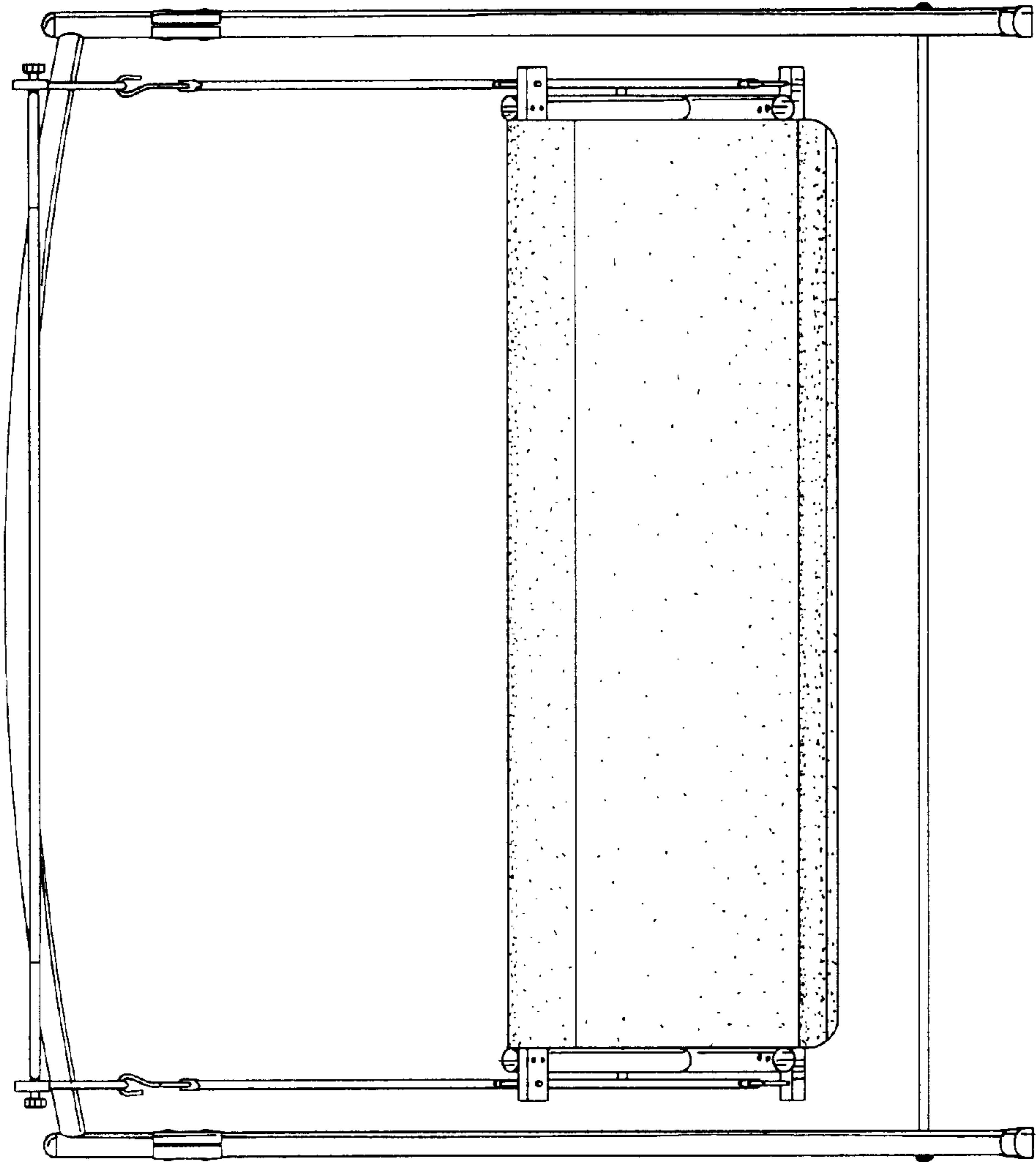


FIG. 3

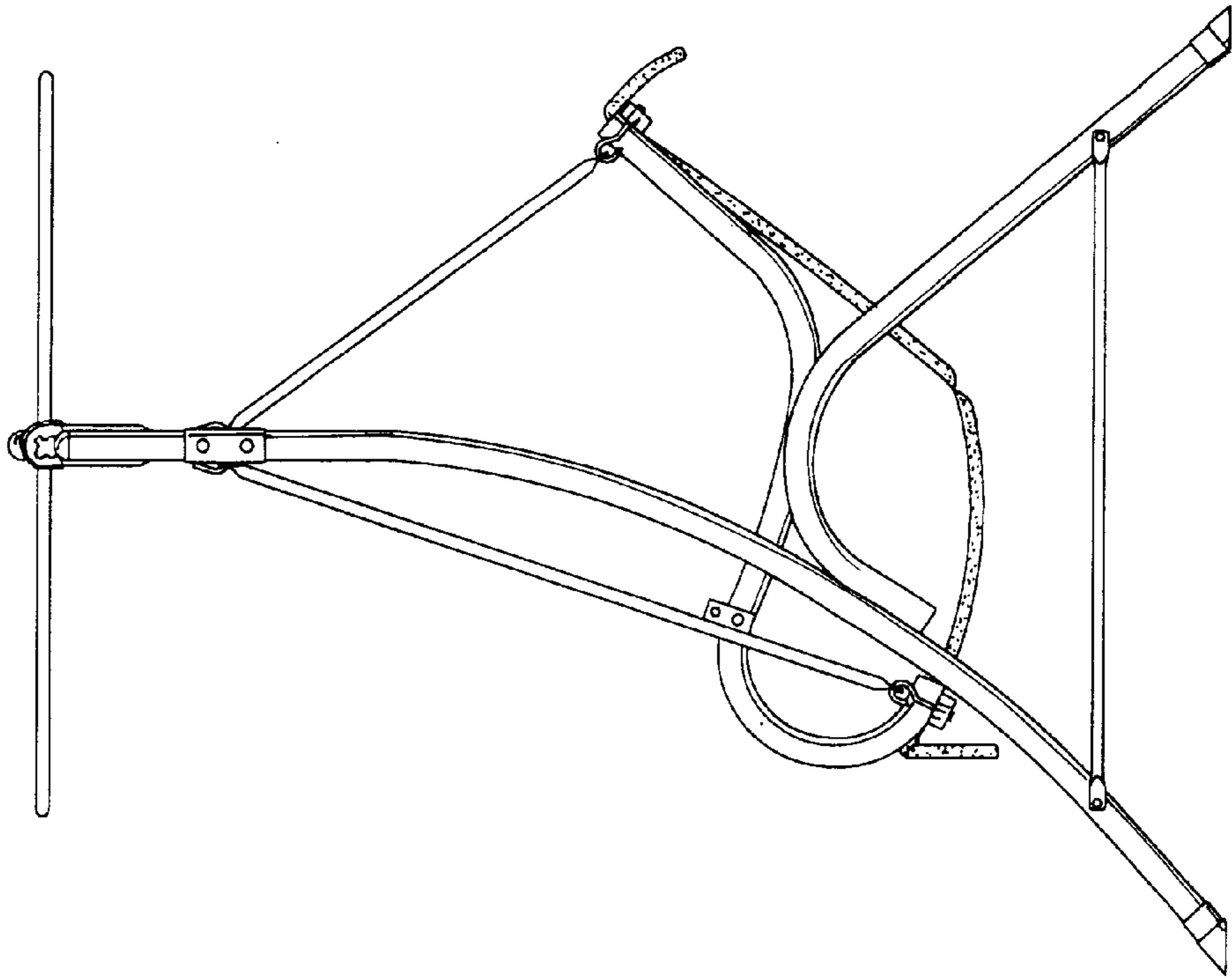


FIG. 5

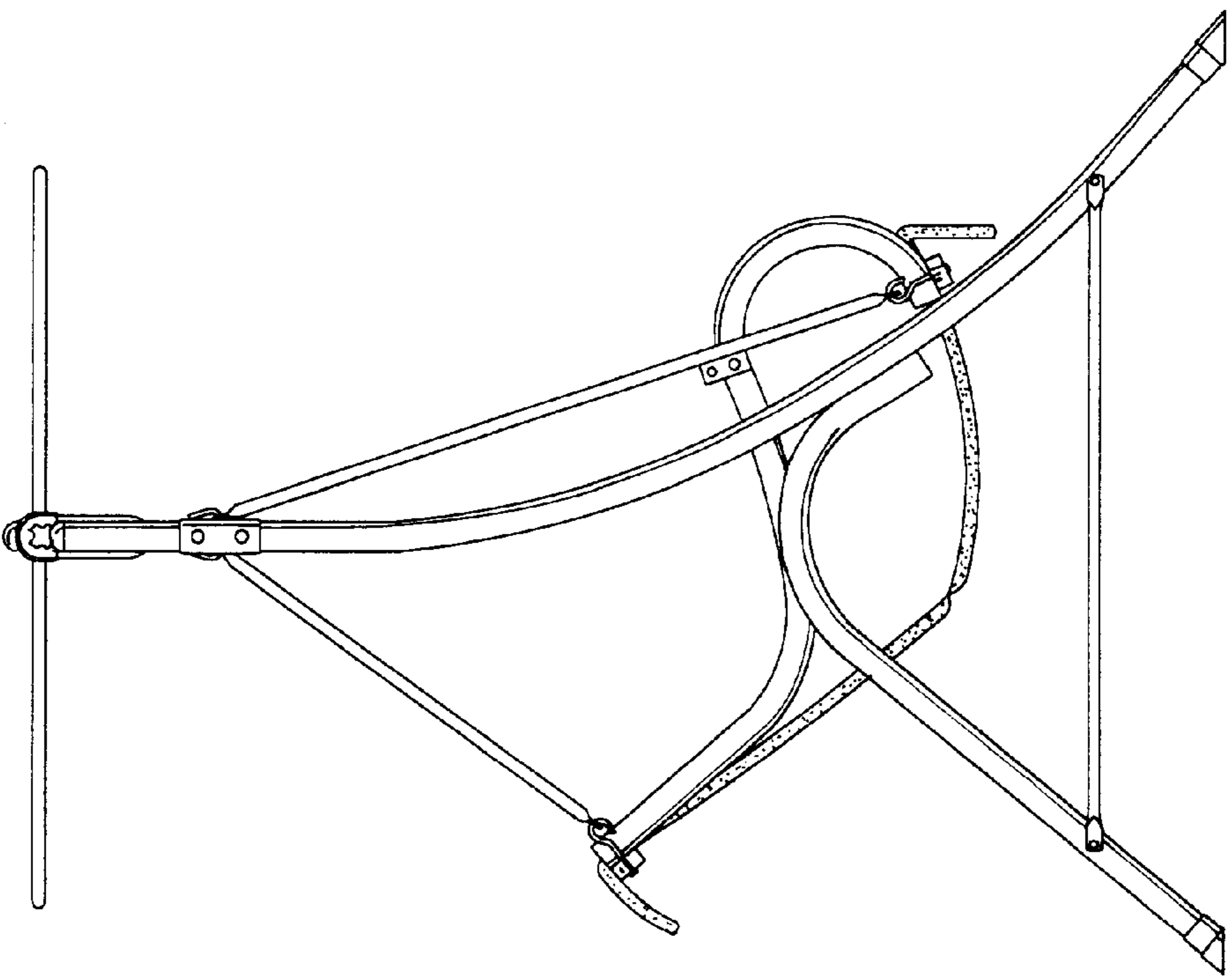


FIG. 4

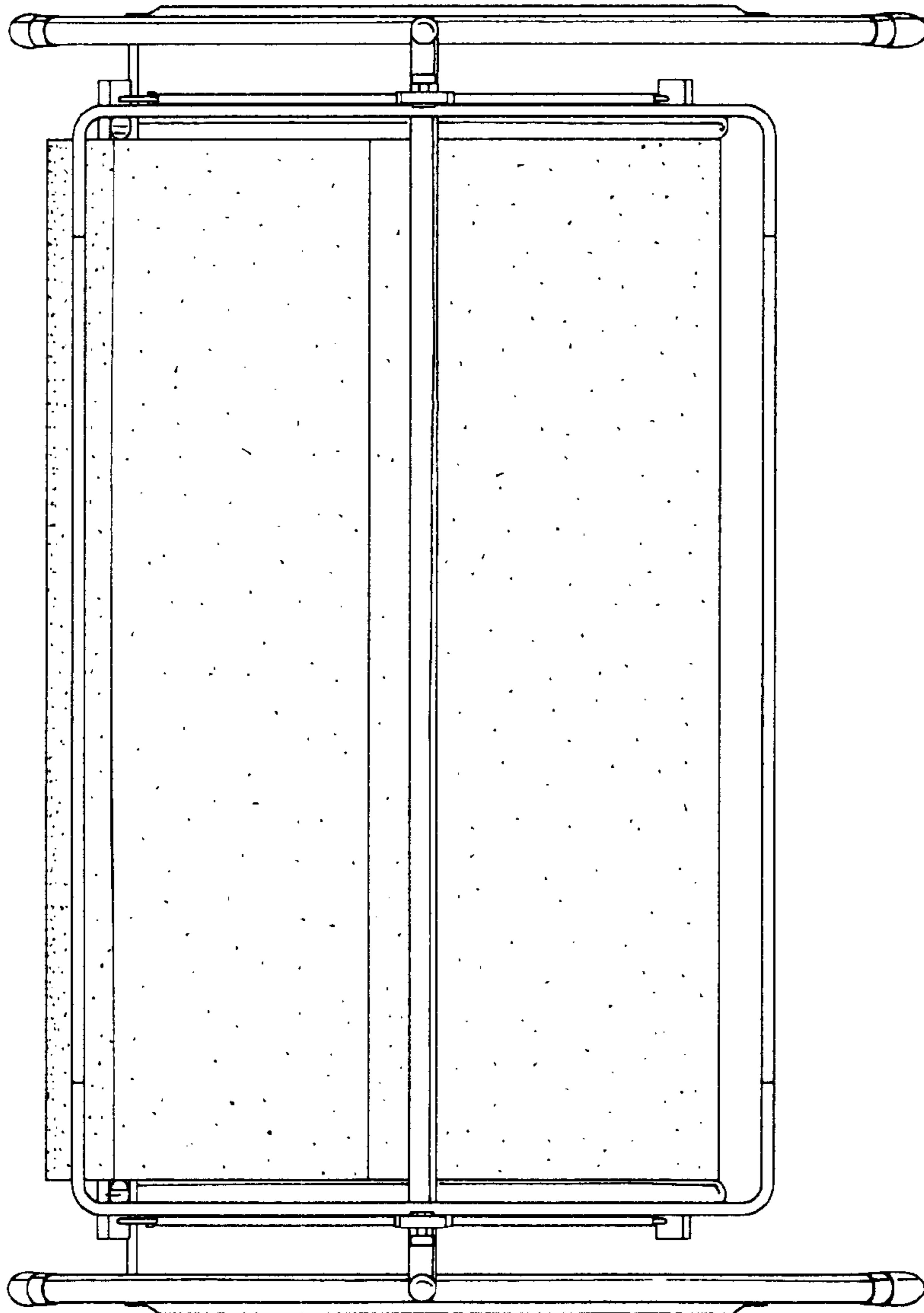


FIG. 6

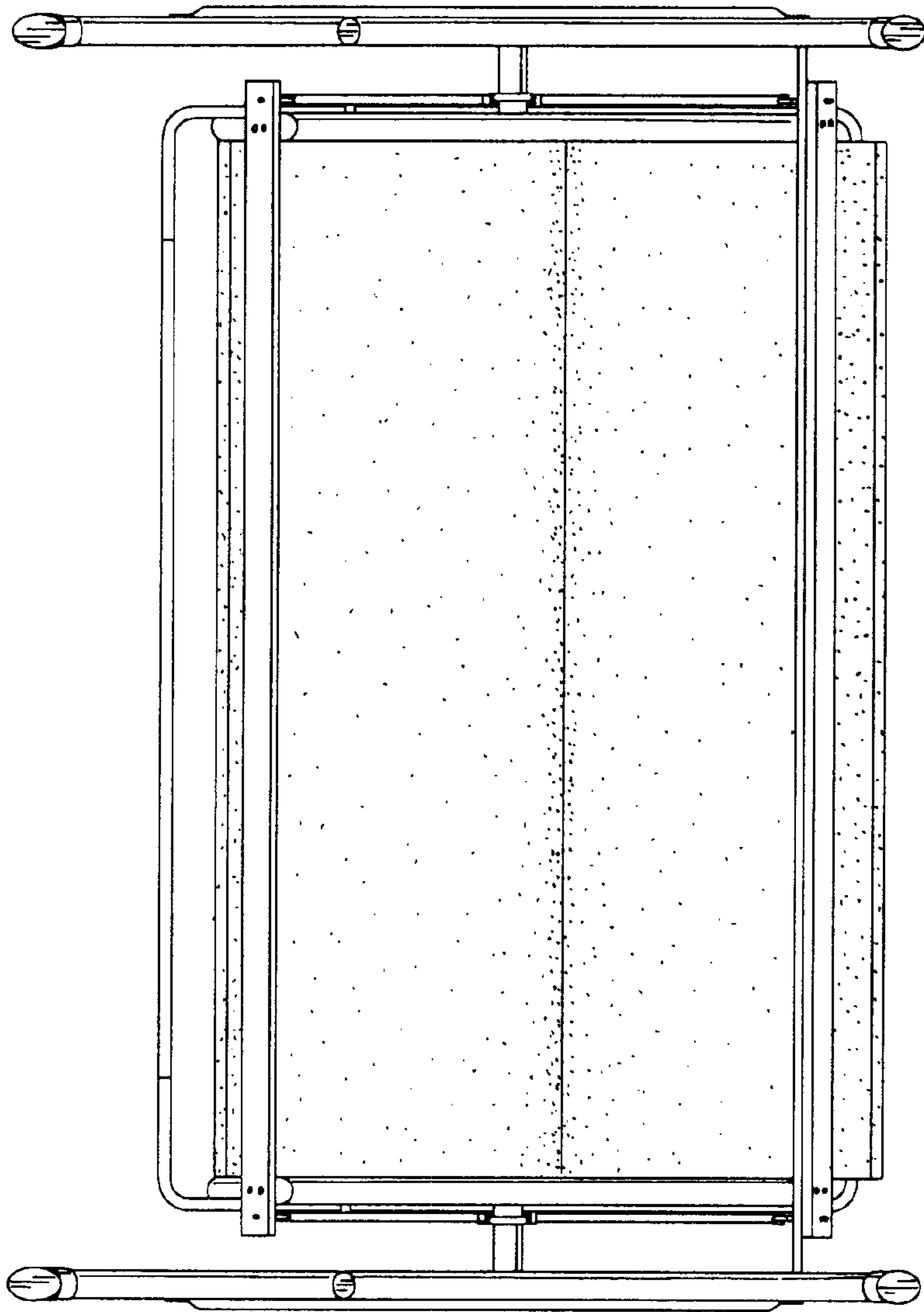


FIG. 7