



US00D439419S

(12) **United States Design Patent**  
**Zuckerman**

(10) **Patent No.:** **US D439,419 S**

(45) **Date of Patent:** **\*\* Mar. 27, 2001**

- (54) **SECURE PINCH-GRIP HANGER**
- (75) Inventor: **Andrew M. Zuckerman**, Forest Hills, NY (US)
- (73) Assignee: **Carlisle Plastics, Inc.**, North Bergen, NJ (US)
- (\*\*) Term: **14 Years**
- (21) Appl. No.: **29/088,453**
- (22) Filed: **May 22, 1998**

- 5,297,706 3/1994 Blitz .
- 5,361,948 11/1994 Batts .
- 5,400,932 3/1995 Hollis .

*Primary Examiner*—B. J. Bullock

(74) *Attorney, Agent, or Firm*—Amster, Rothstein & Ebenstein

(57) **CLAIM**

The ornamental design for a secure pinch-grip hanger, as shown and described.

**DESCRIPTION**

FIG. 1 is a front elevational view of a secure pinch-grip hanger showing my new design;  
 FIG. 2 is a rear elevational view thereof;  
 FIG. 3 is a top plan view thereof;  
 FIG. 4 is a bottom plan view thereof;  
 FIG. 5 is an end elevational view from one end thereof to an enlarged scale and in a first position of use, the other end being a mirror image thereof;  
 FIG. 6 is a fragmentary view similar to FIG. 5, but in second position of use, with a garment shown in phantom lines suspended thereby to illustrate environment but forming no part of the claimed design;  
 FIG. 7 is a view similar to FIG. 6, but in a third position of use;  
 FIG. 8 is a view similar to FIG. 5 of a second embodiment of the design of FIG. 1, the only difference being on the inner surfaces of the clips;  
 FIG. 9 is a fragmentary isometric view of the first embodiment from the top, one end and one side; and,  
 FIG. 10 is a fragmentary isometric view of the first embodiment from the top, an opposed end, and an opposed side.

**Related U.S. Application Data**

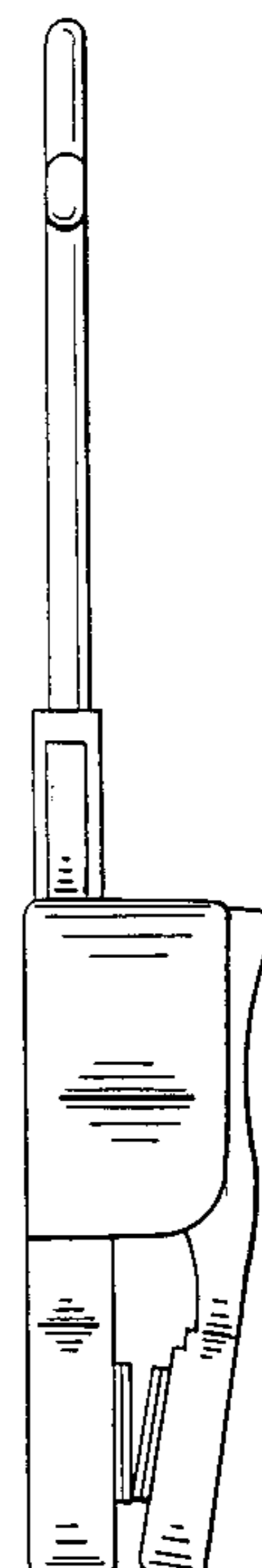
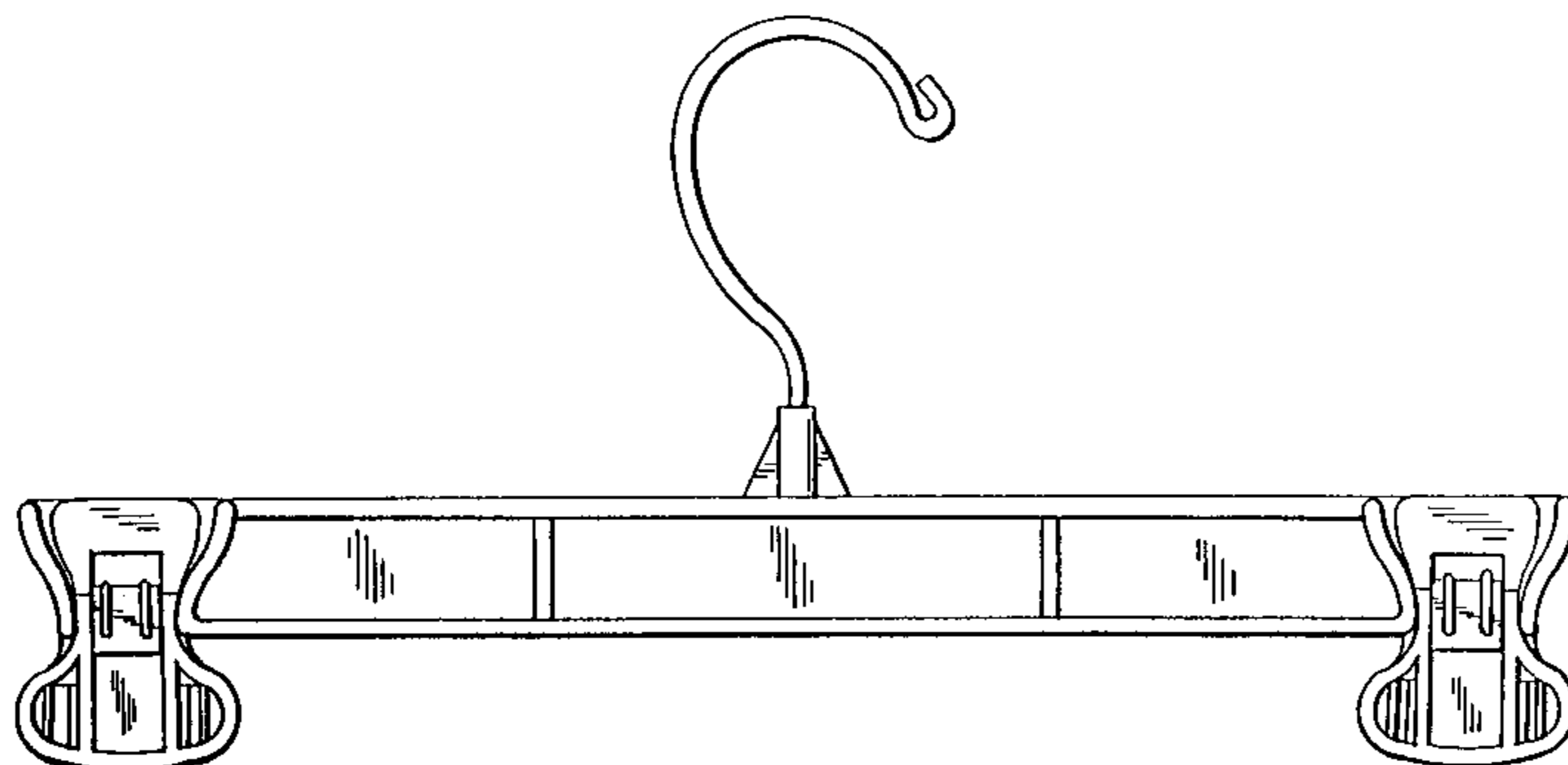
- (63) Continuation-in-part of application No. 09/024,213, filed on Feb. 13, 1998, now abandoned.
- (51) **LOC (7) Cl.** ..... **06-08**
- (52) **U.S. Cl.** ..... **D6/326**
- (58) **Field of Search** ..... D6/315, 318, 326;  
211/113; 223/85, 98, 91, 93, 96

(56) **References Cited**

**U.S. PATENT DOCUMENTS**

- 2,524,537 10/1950 Osmonson .
- 3,235,928 2/1966 Clark .
- 3,292,223 12/1966 Esposito, Jr. .
- 3,767,092 10/1973 Garrison et al. .
- 3,946,915 3/1976 Crane .
- 3,950,829 4/1976 Cohen .
- 3,973,705 8/1976 Erthein .
- 4,335,838 6/1982 Bisk et al. .
- 4,706,347 11/1987 Lindsay .
- 4,763,390 8/1988 Rooz .
- 5,082,153 1/1992 Duester et al. .
- 5,178,306 1/1993 Petrou .

**1 Claim, 8 Drawing Sheets**



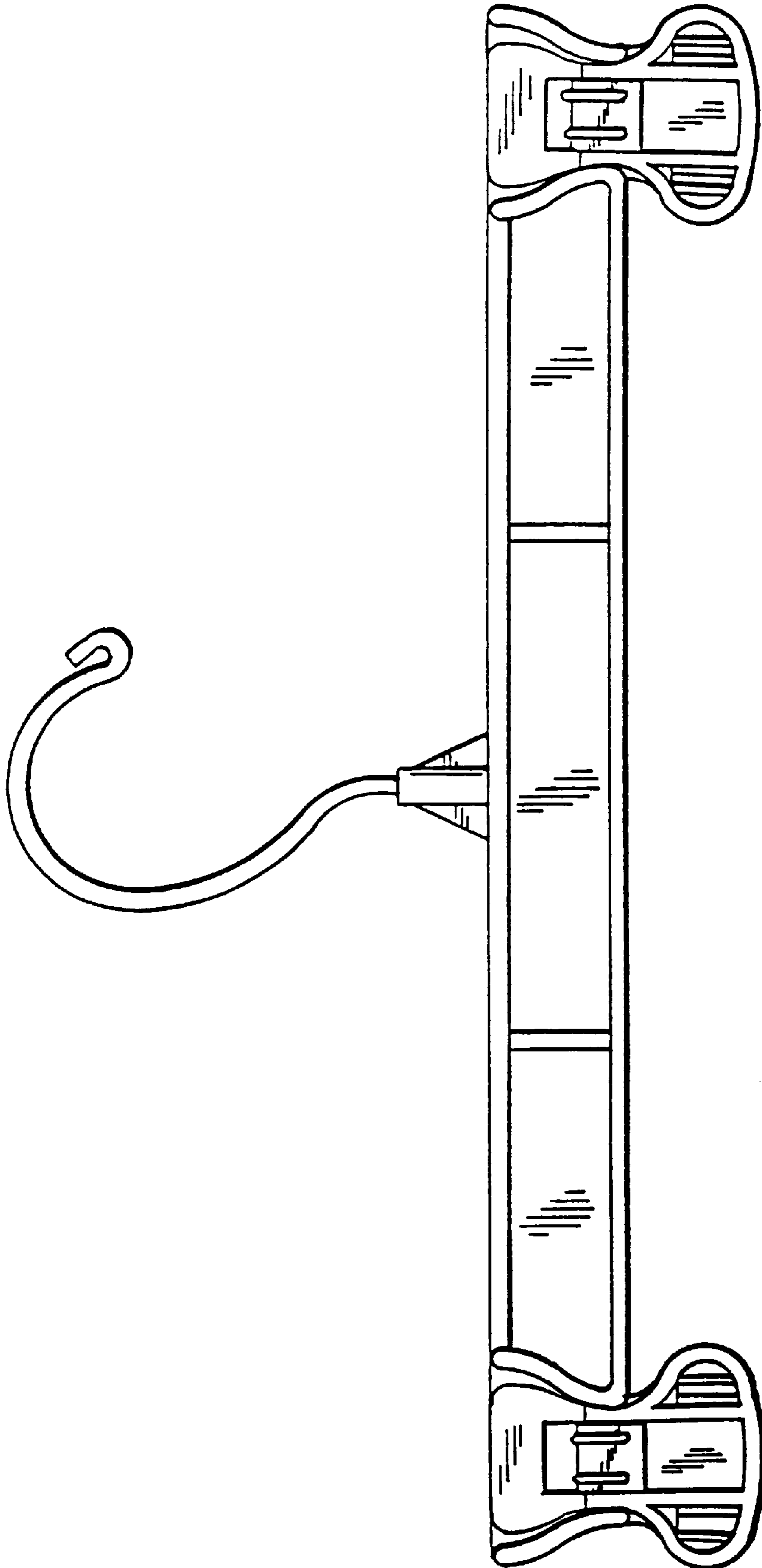


FIG. 1

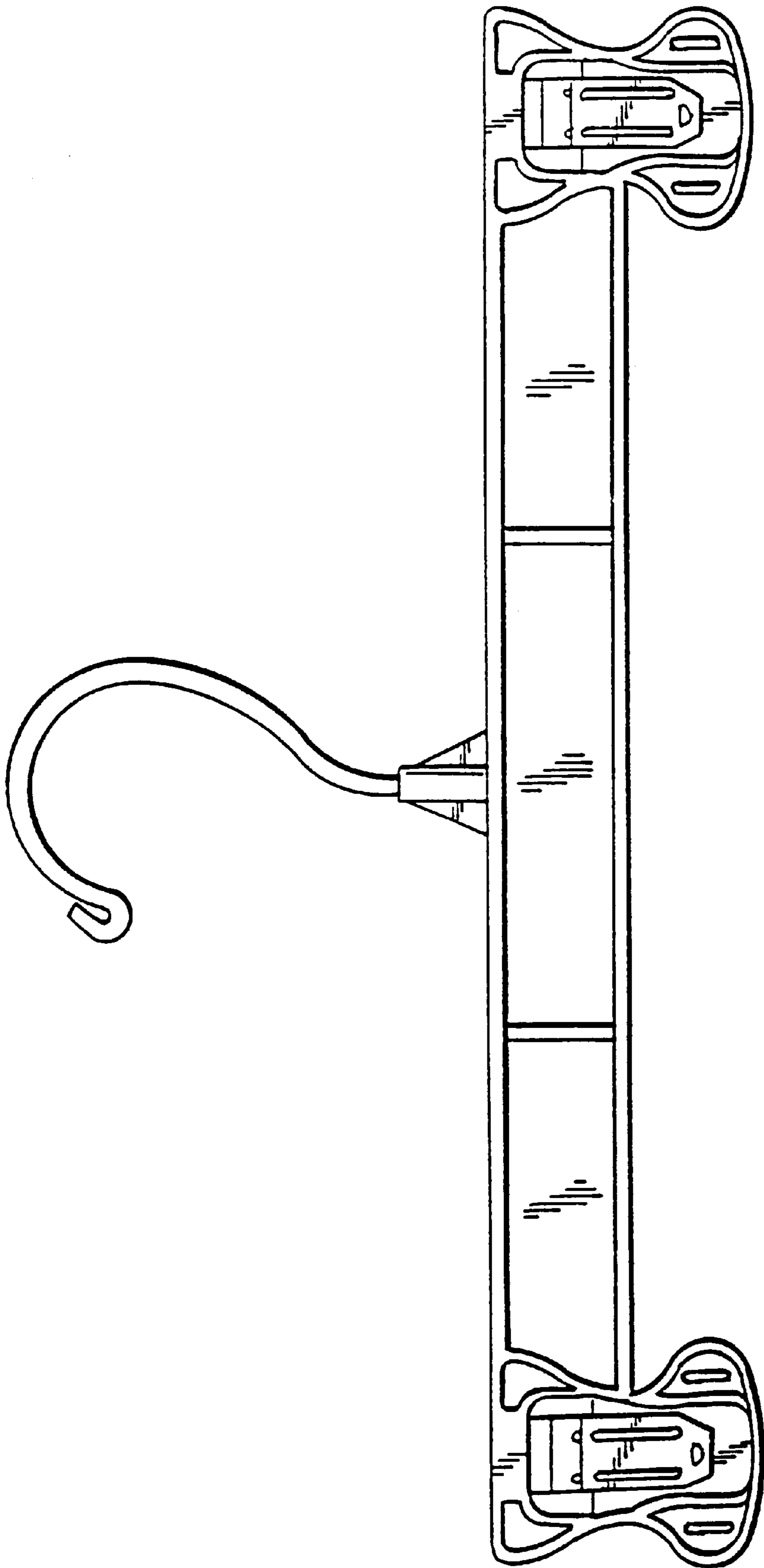
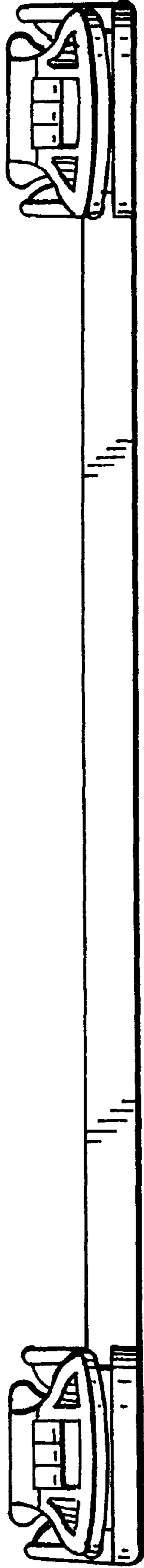


FIG. 2

FIG. 3



FIG. 4



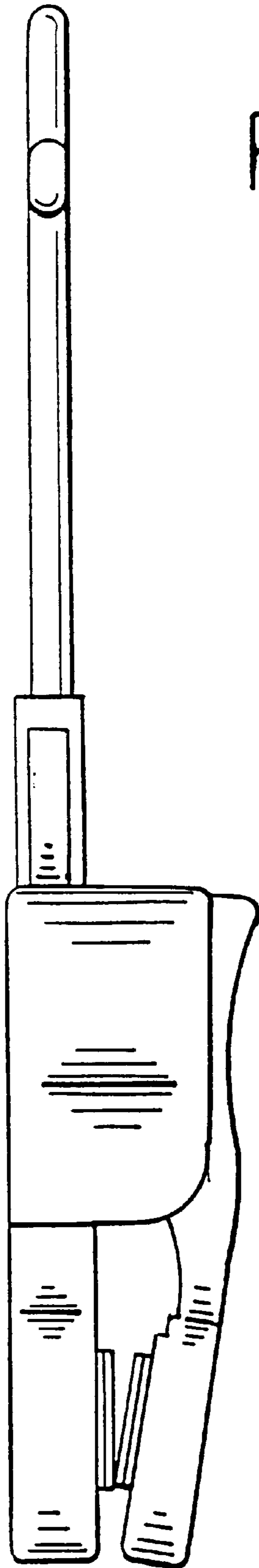
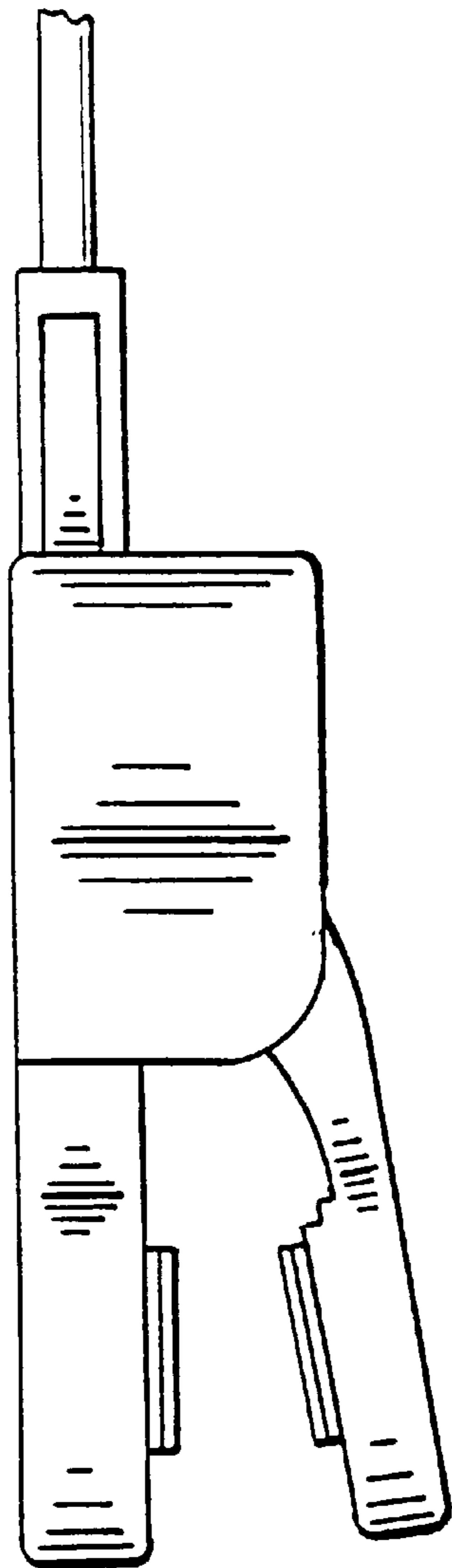
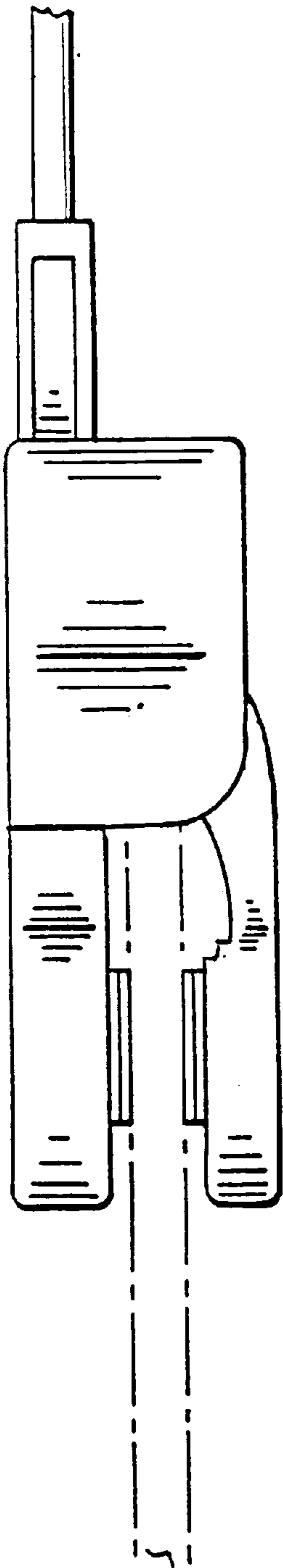


FIG. 5

FIG. 6

FIG. 7



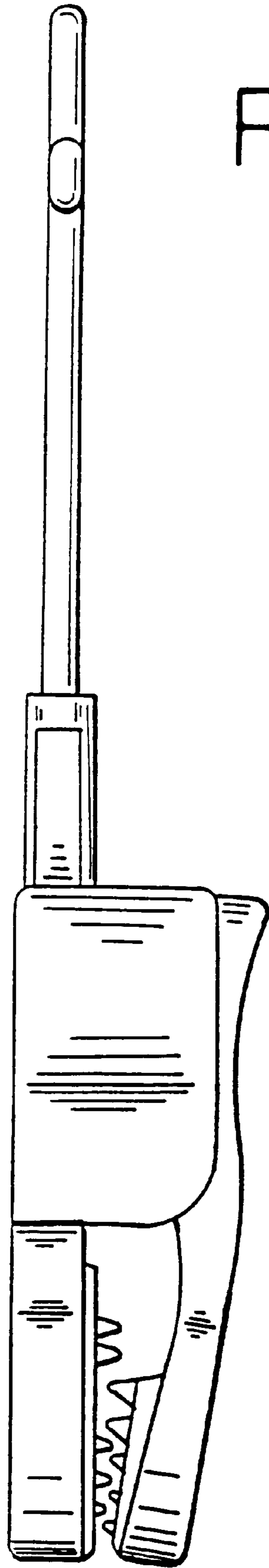


FIG. 8

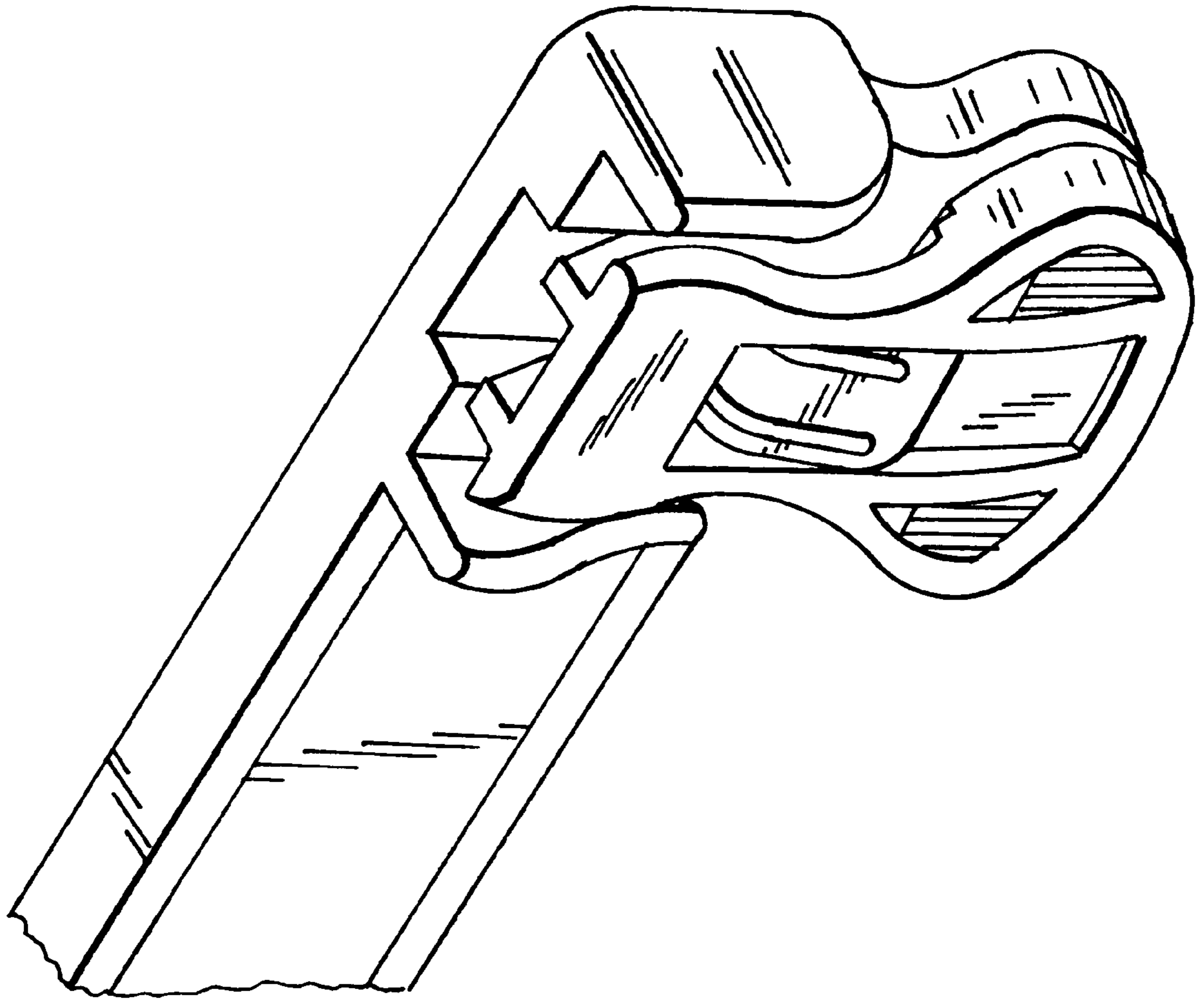


FIG. 9



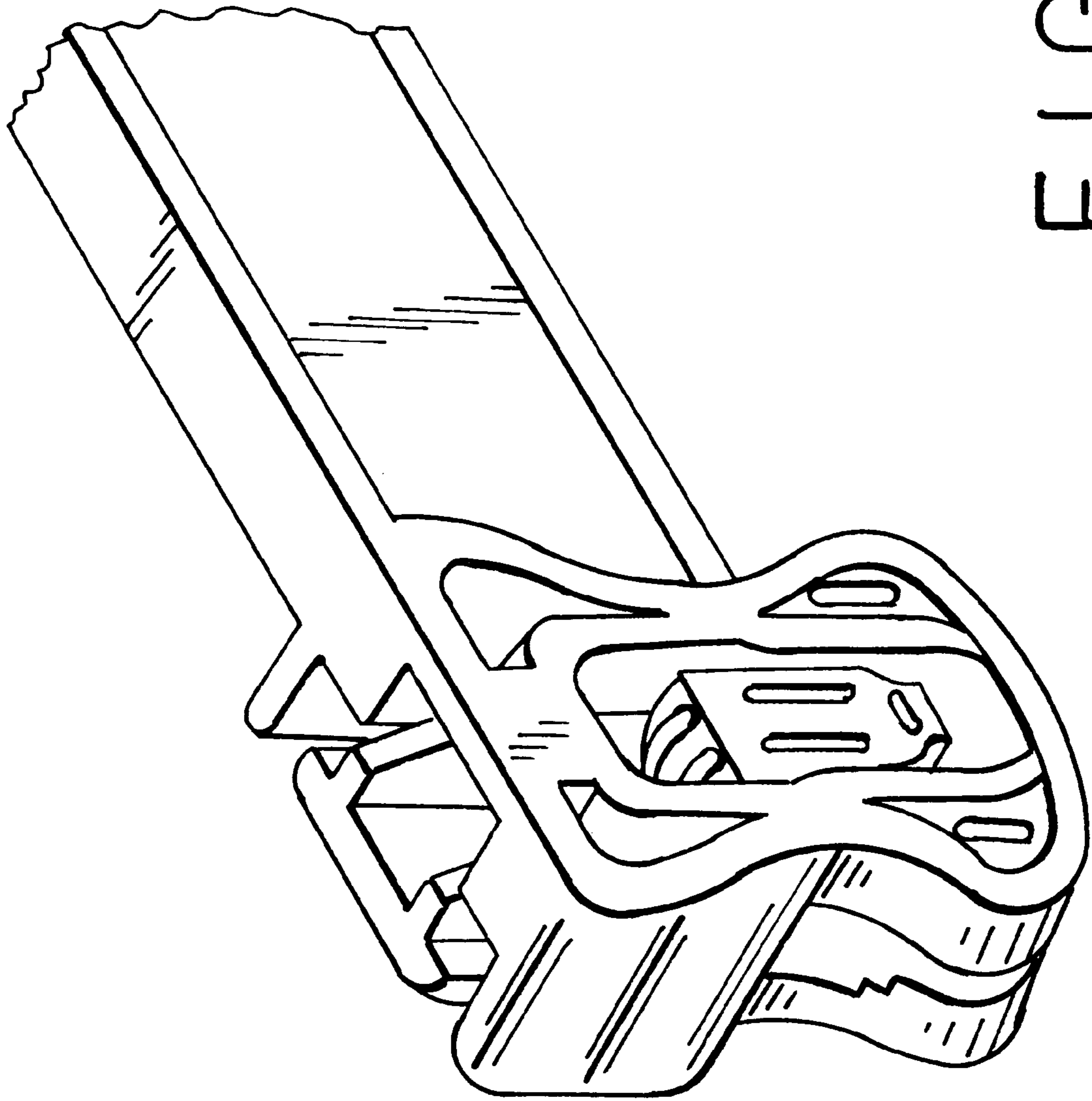


FIG. 10