



US00D439418S

(12) **United States Design Patent**
Woodnorth et al.

(10) **Patent No.:** **US D439,418 S**
(45) **Date of Patent:** **** Mar. 27, 2001**

(54) **PAINT BRUSH**

FOREIGN PATENT DOCUMENTS

(75) Inventors: **Brian E. Woodnorth**, Whitefish Bay, WI (US); **Brian C. Bone**, Creve Coeur, **Heath A. Doty**, Richmond Heights, both of MO (US); **Kent P. Ritzel**, Waterloo, IL (US); **William Dean Ungar**, St. Louis, MO (US)

2 256 856 5/1974 (DE) .
27 35 542 2/1979 (DE) .
351858 7/1931 (GB) .
844124 8/1960 (GB) .
2050156 1/1981 (GB) .
6-266193 8/1994 (JP) .
6-85778 12/1994 (JP) .
WO 93/16846 9/1993 (WO) .

(73) Assignee: **Newell Operating Company**, Freeport, IL (US)

OTHER PUBLICATIONS

(**) Term: **14 Years**

(21) Appl. No.: **29/121,043**

(22) Filed: **Mar. 30, 2000**

(51) **LOC (7) Cl.** **04-04**

(52) **U.S. Cl.** **D4/138**

(58) **Field of Search** D4/132, 135, 138;
15/143.1, 159.1, 160, 168, 171, 191.1,
192, 193; 16/110.1, 430

Old World Brush & Tool Co., "Decorative Painting Brushes & Tools for the Specialist Painter", 4 pages.
Excerpts from Bestt/Liebo Catalog (date unknown), 6 pages.
Excerpts from Bestt/Liebo Catalog 4-81, 9 pages.
Excerpts from Corona #17, 1990, 8 pages.
"One Coater Supreme—The Brush That's Better At Both Ends!", EZ Paint, 1996, 1 page.

Primary Examiner—Alan P. Douglas
Assistant Examiner—Lavone Tabor
(74) *Attorney, Agent, or Firm*—Foley & Lardner

(56) **References Cited**

(57) **CLAIM**

U.S. PATENT DOCUMENTS

The ornamental design for a paint brush, as shown and described.

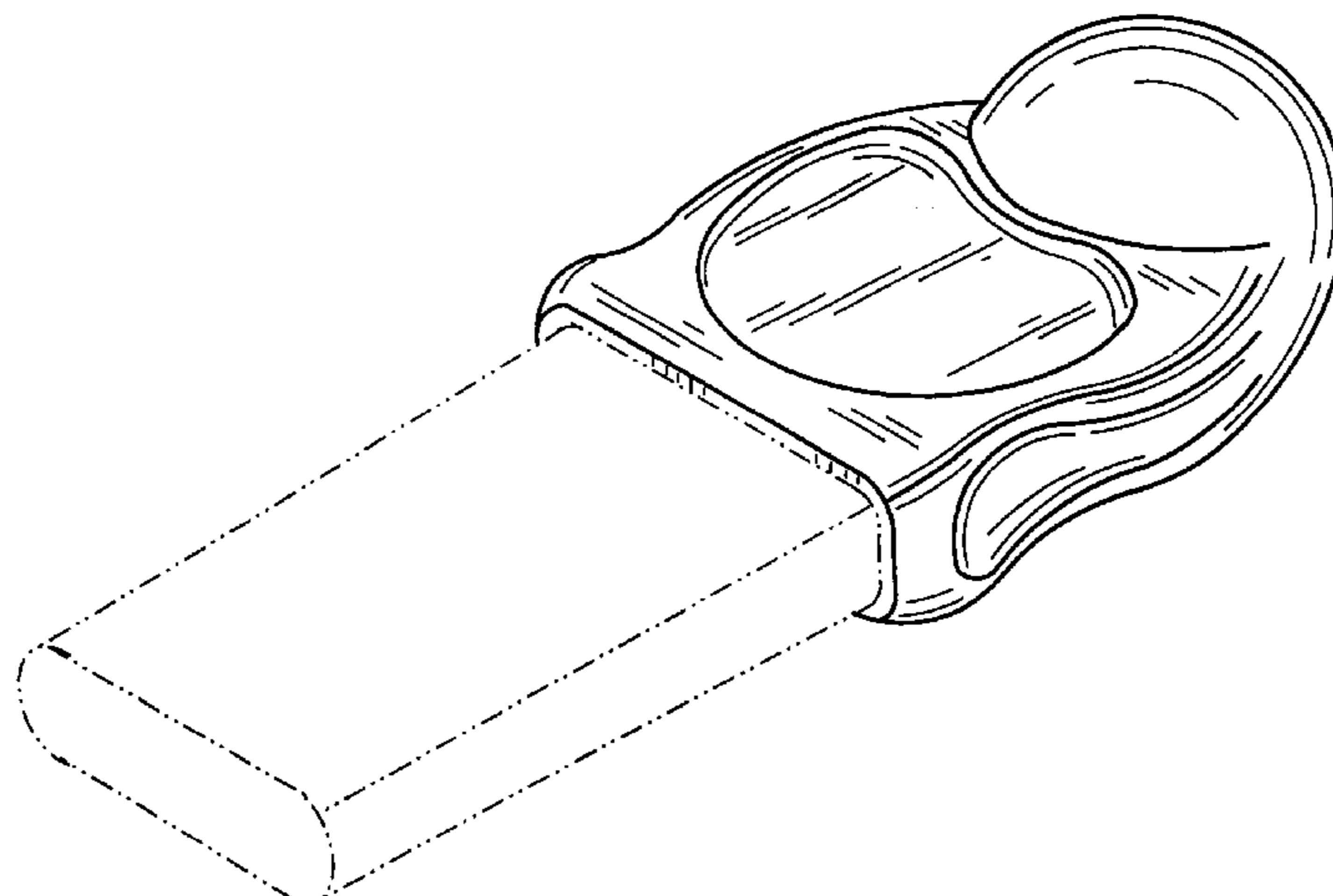
- D. 30,616 * 4/1899 Bentzinger D4/135
- D. 216,247 12/1969 McGuire .
- D. 311,455 * 10/1990 Snipes D4/132
- D. 333,217 2/1993 Gingras .
- 412,479 10/1889 Davis .
- 1,054,709 * 3/1913 Munro 15/143.1
- 1,687,335 10/1928 Jackline .
- 1,826,165 10/1931 Cartwright .
- 1,838,958 * 12/1931 Page 15/160
- 2,237,969 4/1941 Olsen .
- 2,426,315 8/1947 Marick .
- 2,664,582 1/1954 Kammann .
- 3,023,439 3/1962 Danley .
- 3,067,446 12/1962 McGauley .
- 3,153,801 10/1964 Weiss et al. .
- 3,819,779 6/1974 Pharris et al. .
- 4,495,669 1/1985 Hooper .

DESCRIPTION

FIG. 1 is a perspective view of a paint brush of the present invention;
FIG. 2 is a top plan view thereof, the bottom plan view being identical thereto;
FIG. 3 is a left side elevational view thereof, the right side elevational view being identical thereto;
FIG. 4 is a rear elevational view thereof; and,
FIG. 5 is a front elevational view thereof.
The ornamental design which is claimed is shown in solid lines in the drawings. The broken lines in the drawings are for illustrative purposes only and form no part of the claimed design.

(List continued on next page.)

1 Claim, 1 Drawing Sheet



US D439,418 S

Page 2

U.S. PATENT DOCUMENTS

4,751,762	6/1988	Meimeteas .	5,615,445	4/1997	Kelsay et al. .
4,847,939	7/1989	Derencsenyi et al. .	5,761,759	6/1998	Leversby et al. .
5,339,482	8/1994	Desimone et al. .	5,920,943	7/1999	Barker .
5,446,941	9/1995	Kelsay .			

* cited by examiner

FIG. 1

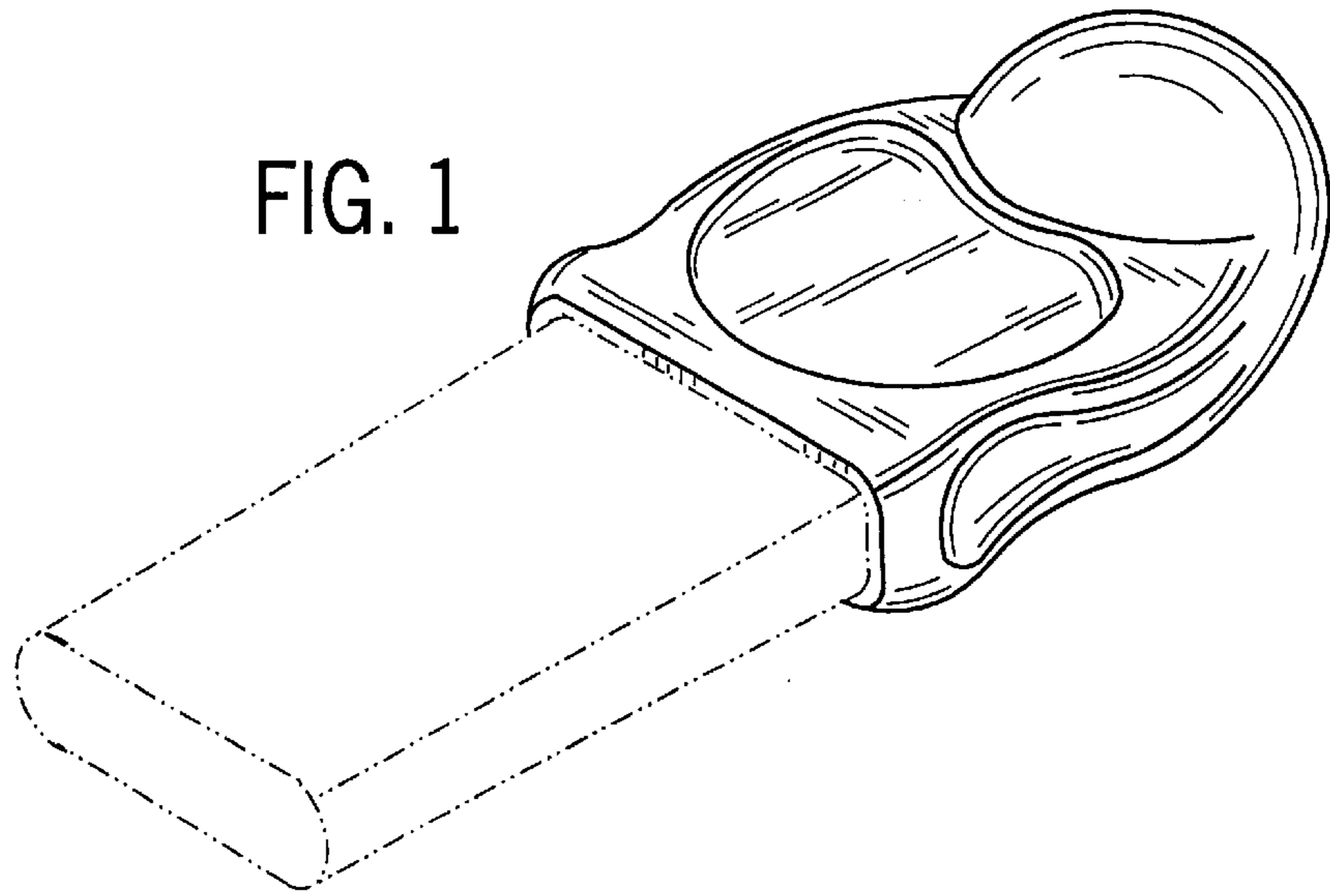


FIG. 2

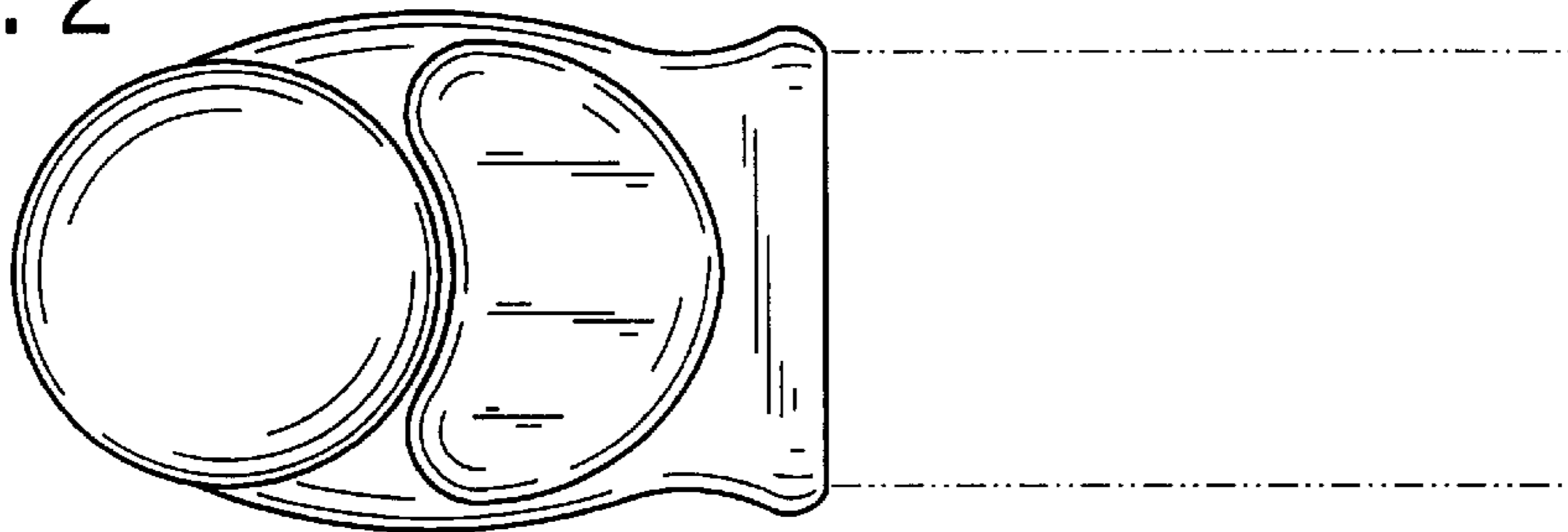


FIG. 3

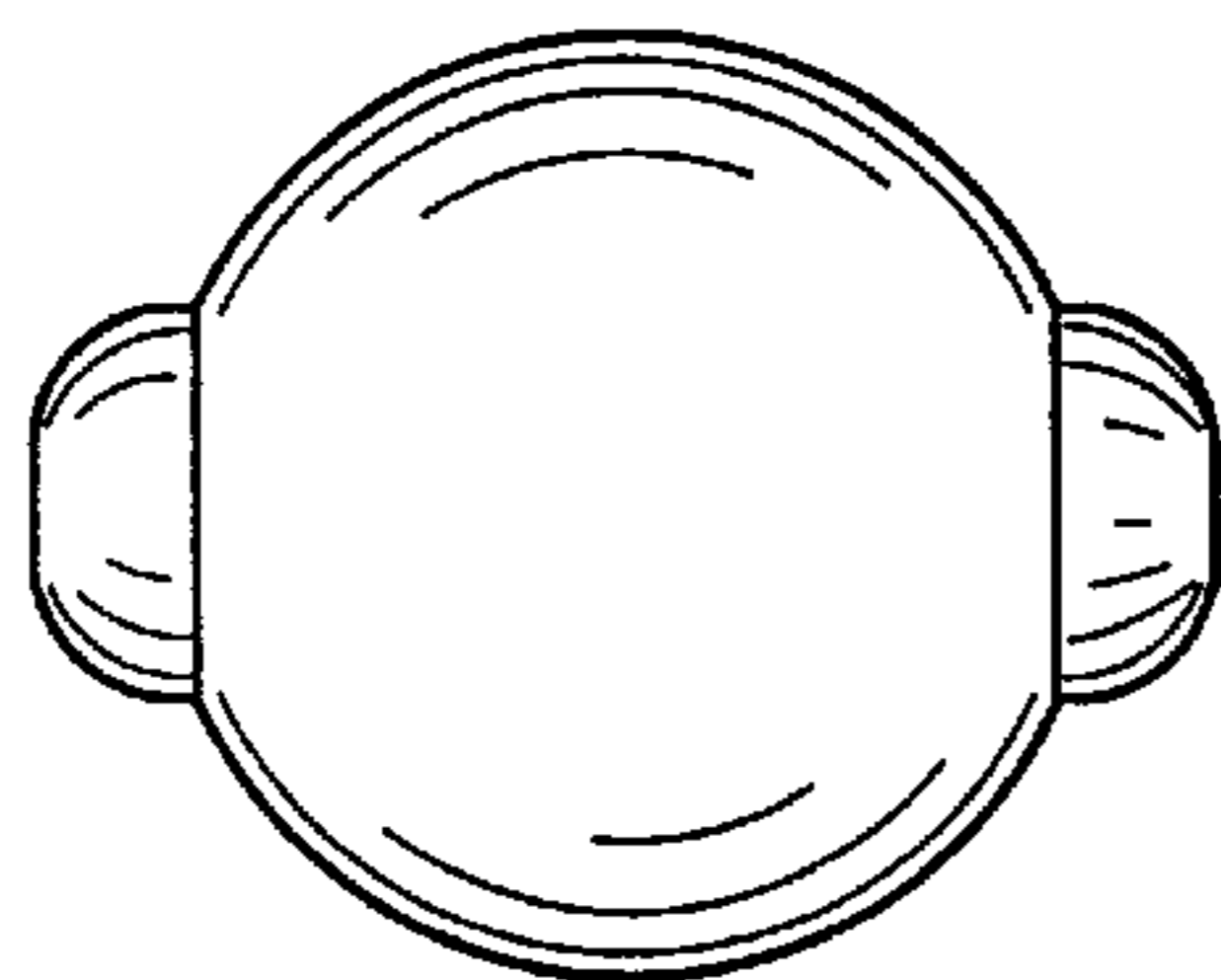
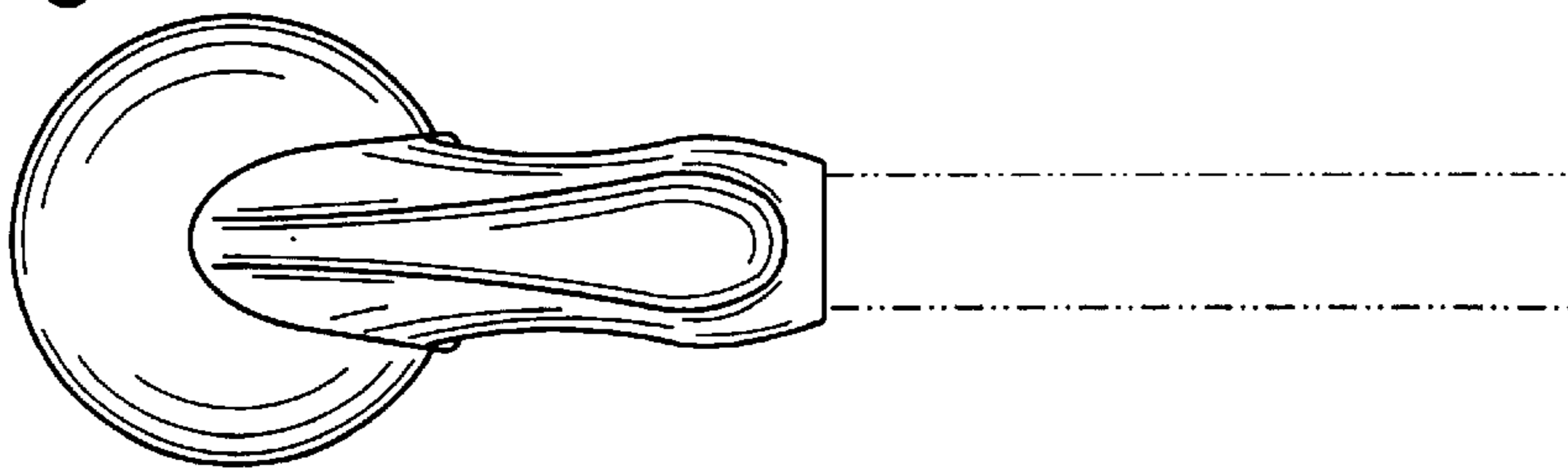


FIG. 4

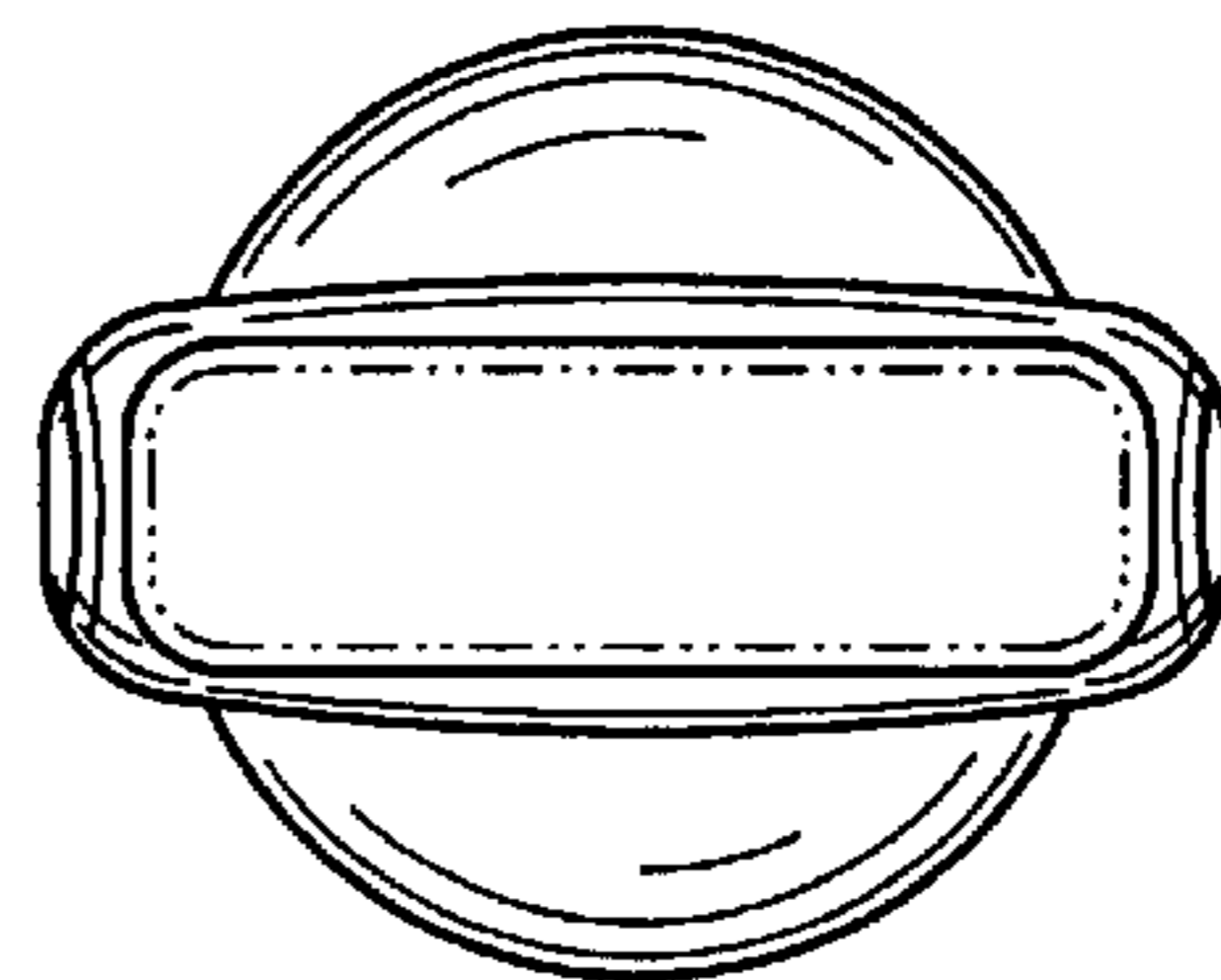


FIG. 5