



US00D439413S

(12) **United States Design Patent**
Klein

(10) **Patent No.:** **US D439,413 S**

(45) **Date of Patent:** **** Mar. 27, 2001**

(54) **TOOTHPASTE DISPENSING TOOTHBRUSH**

FOREIGN PATENT DOCUMENTS

(76) **Inventor:** **Stanley J. Klein**, 686 Catalina Way,
Los Altos, CA (US) 94022

551902 * 1/1993 (EP) .

* cited by examiner

(**) **Term:** **14 Years**

Primary Examiner—Alan P. Douglas

Assistant Examiner—Lavone Tabor

(21) **Appl. No.:** **29/126,052**

(74) *Attorney, Agent, or Firm*—Thomas M. Freiburger

(22) **Filed:** **Jul. 6, 2000**

(57) **CLAIM**

(51) **LOC (7) Cl.** **04-02**

The ornamental design for a toothpaste dispensing toothbrush, substantially as shown.

(52) **U.S. Cl.** **D4/108; D4/114; D4/121**

(58) **Field of Search** D4/104–112, 114,
D4/121, 132, 134, 138; 15/143.1, 145,
159.1, 167.1; 132/308, 311; 601/139, 141;
401/171–175, 268, 270, 276–281, 286,
291

DESCRIPTION

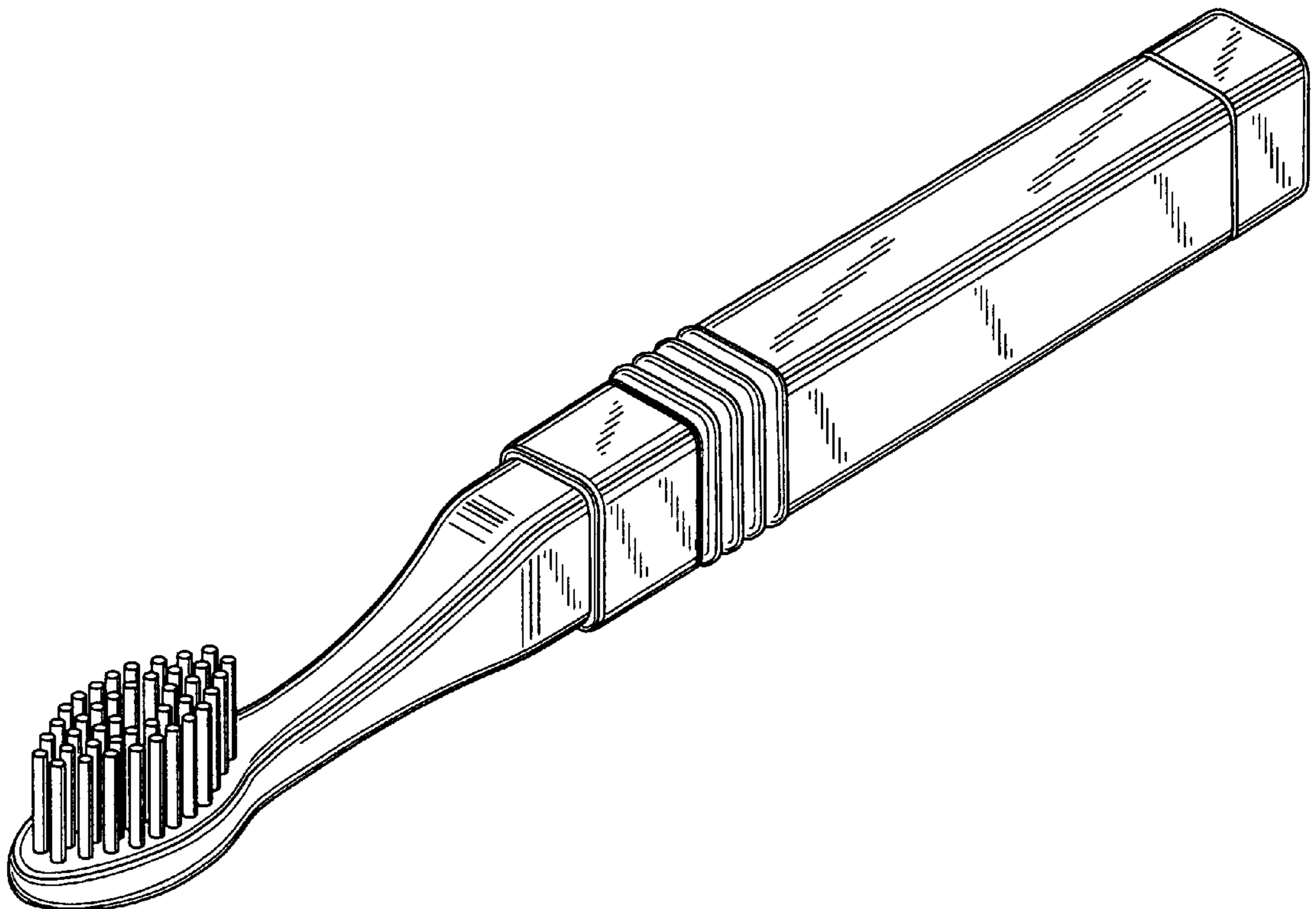
(56) **References Cited**

FIG. 1 is a perspective view showing a toothpaste dispensing toothbrush according to my new design;
FIG. 2 is a similar perspective view thereof, showing the toothpaste-storing handle separated from the head portion thereof;
FIG. 3 is a side view thereof, the opposite side being similar;
FIG. 4 is a frontal view thereof;
FIG. 5 is a bottom view thereof; and,
FIG. 6 is a top view thereof.

U.S. PATENT DOCUMENTS

D. 258,852	*	4/1981	Clark	D4/108
D. 318,375	*	7/1991	Bennett	D4/108
D. 329,642	*	9/1992	Booth et al.	D4/104
4,580,587	*	4/1986	Rittich et al.	132/308

1 Claim, 2 Drawing Sheets



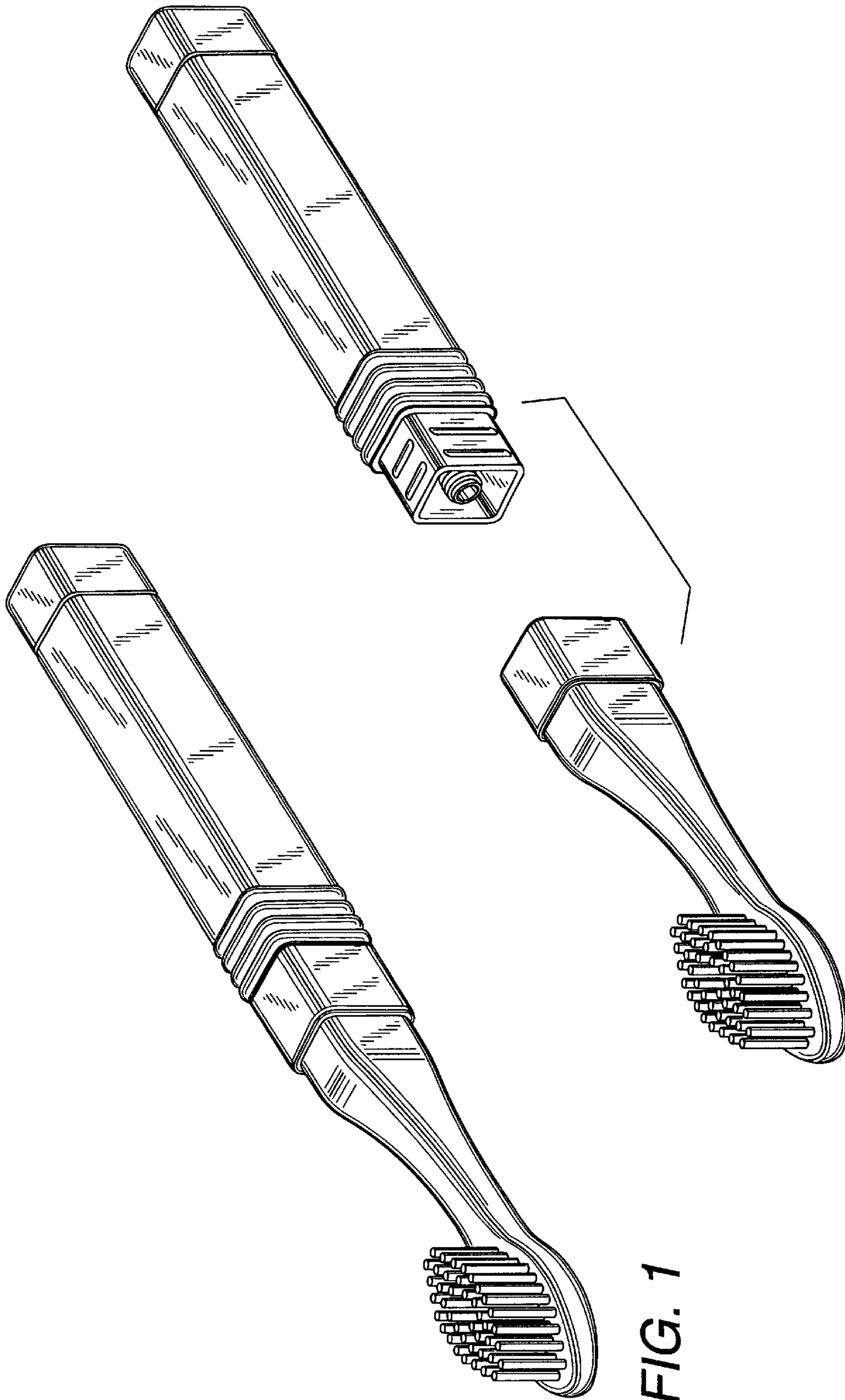


FIG. 1

FIG. 2



FIG. 4

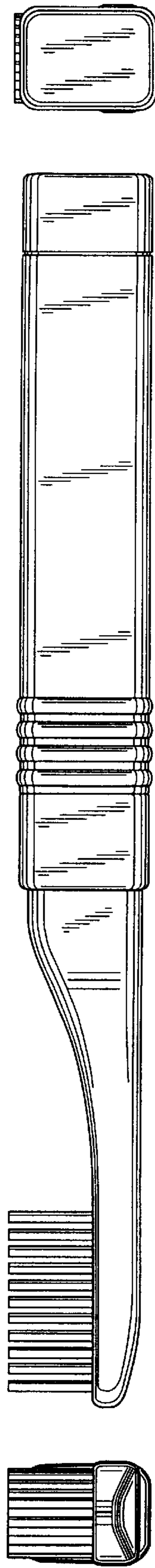


FIG. 6

FIG. 3

FIG. 5