



US00D439409S

(12) **United States Design Patent**
Williams

(10) **Patent No.:** **US D439,409 S**

(45) **Date of Patent:** **** Mar. 27, 2001**

(54) **MULTI-USE INTEGRATED BRIEFCASE AND GARMET CARRIER**

Primary Examiner—Philip S. Hyder
(74) *Attorney, Agent, or Firm*—M K Silverman

(76) **Inventor:** **W. Keith Williams**, 531-B NE. 24th St., Pompano Beach, FL (US) 33064

(57) **CLAIM**

The ornamental design for a multi-use integrated briefcase and garment carrier, as shown and described.

(**) **Term:** **14 Years**

(21) **Appl. No.:** **29/109,072**

DESCRIPTION

(22) **Filed:** **Aug. 9, 1999**

(51) **LOC (7) Cl.** **03-01**

(52) **U.S. Cl.** **D3/283; D3/287**

(58) **Field of Search** D3/273, 276, 279,
D3/283, 284, 285, 287, 288, 289, 301;
190/110, 100, 111, 112, 113

FIG. 1 is a side view of the present invention.

FIG. 2 is a front diagonal perspective view thereof.

FIG. 3 is a view, from the direction of FIG. 2, however showing the appearance of an internal compartment after a three-sided front zipper of the structure has been opened.

FIG. 4 is a view, similar in direction to that of FIG. 2, however showing an internal compartment of the structure after a second or central zipper thereof has been opened.

FIG. 5 is a rear diagonal perspective view of the invention.

FIG. 6 is a view, similar in direction to that of FIG. 5, however, showing the appearance of an internal compartment of the structure adapted for the holding of clothing, when a third or rear zipper of the structure is opened.

FIG. 7 is a top view of structure showing the appearance of internal pockets upon a front surface of the invention when a front horizontal linear zipper is opened; and,

FIG. 8 is a bottom view of the inventive structure.

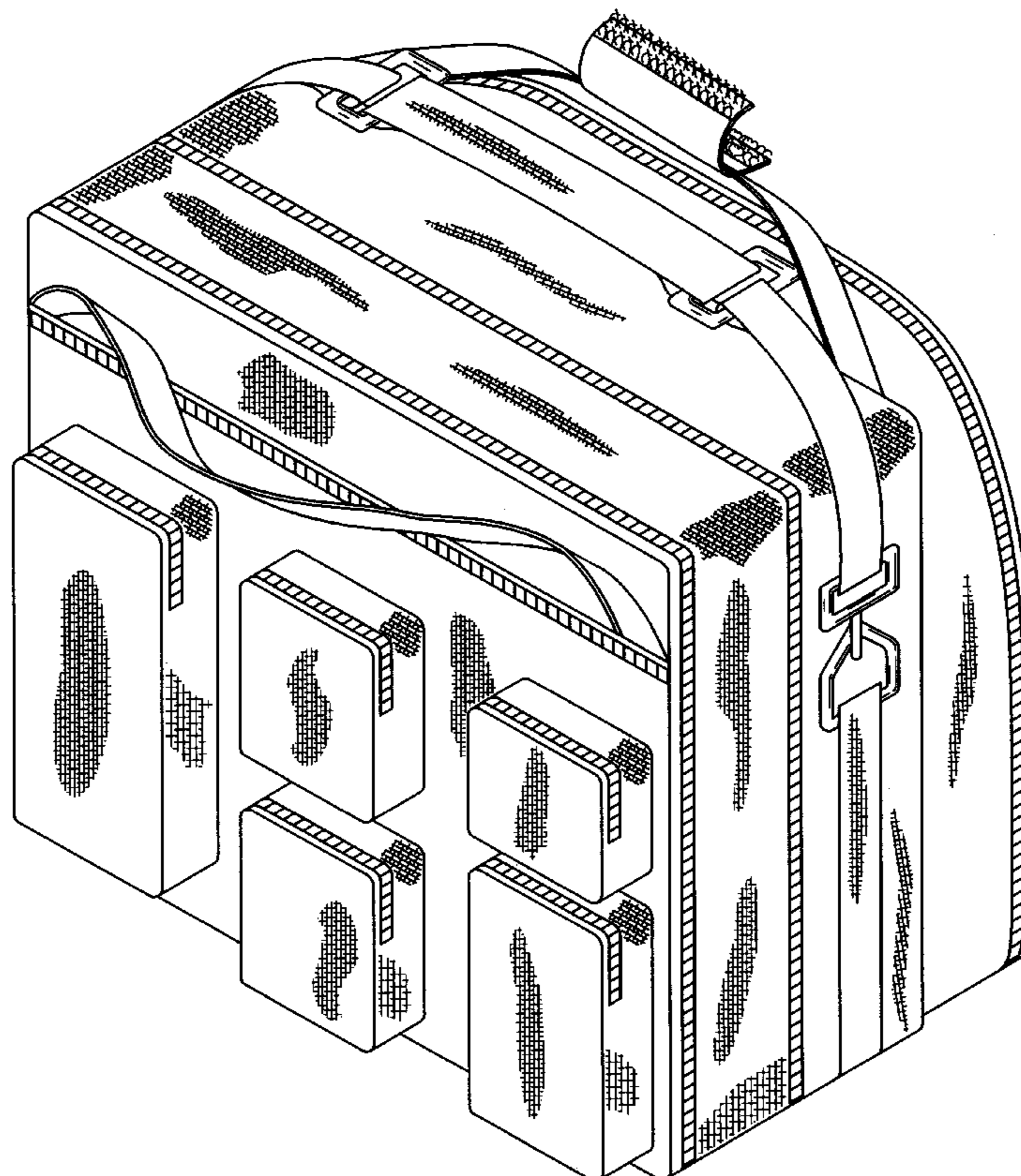
(56) **References Cited**

U.S. PATENT DOCUMENTS

D. 280,044	*	8/1985	Allen	D3/283
D. 284,333	*	6/1986	Huston	D3/283
D. 284,623	*	7/1986	Gerch	D3/274
D. 294,084	*	2/1988	Gibbs	D3/287
D. 315,985	*	4/1991	Gerch et al.	D3/283
D. 340,621	*	10/1993	Melk	D3/287
D. 345,651	*	4/1994	Copp	D3/289
D. 346,693	*	5/1994	Saltzman et al.	D3/289
D. 352,171	*	11/1994	Giovannella	D3/289
D. 376,045	*	12/1996	Bernstein et al.	D3/287
D. 396,144	*	7/1998	Farmer	D3/287

* cited by examiner

1 Claim, 8 Drawing Sheets



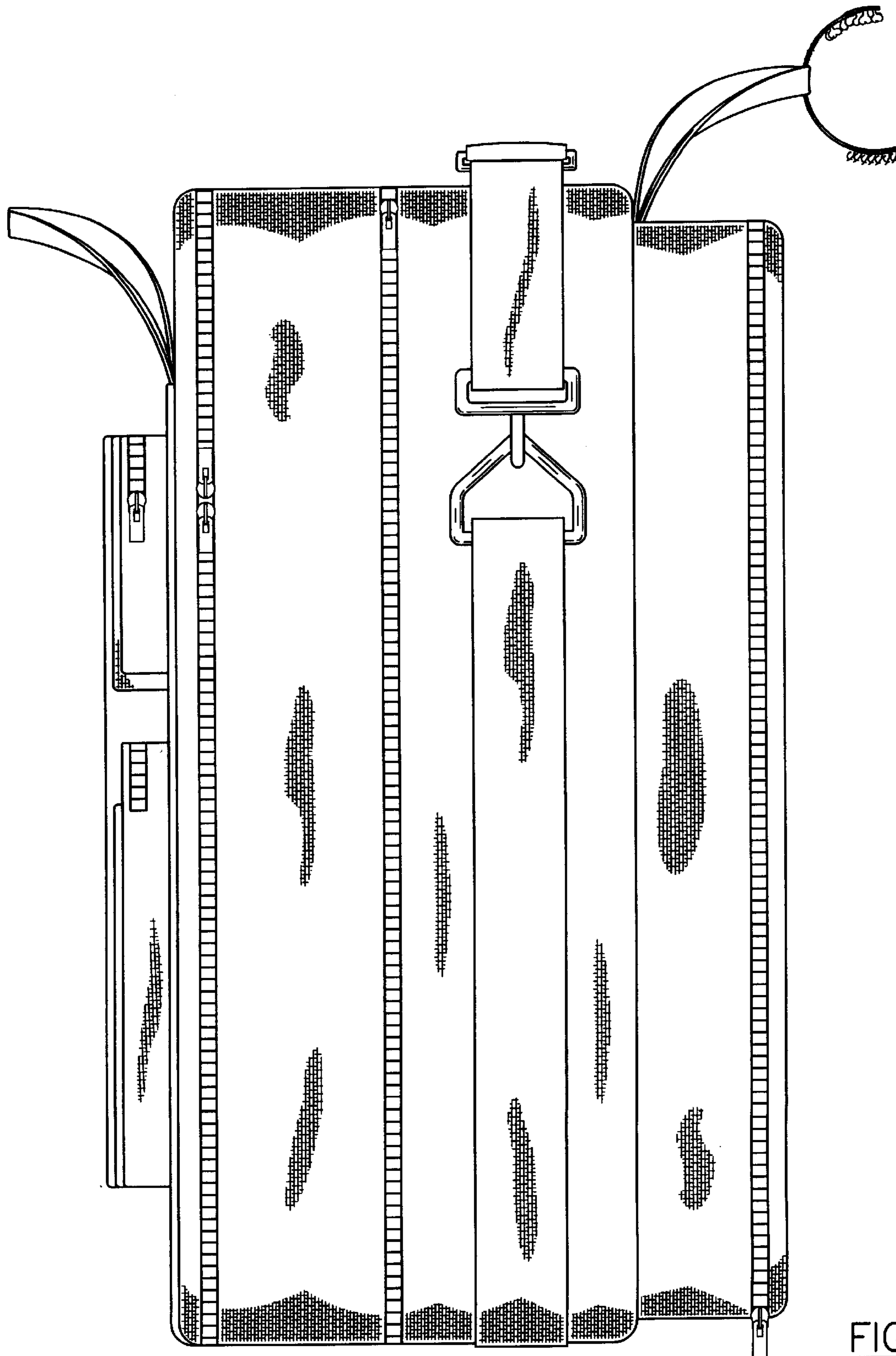


FIG. 1

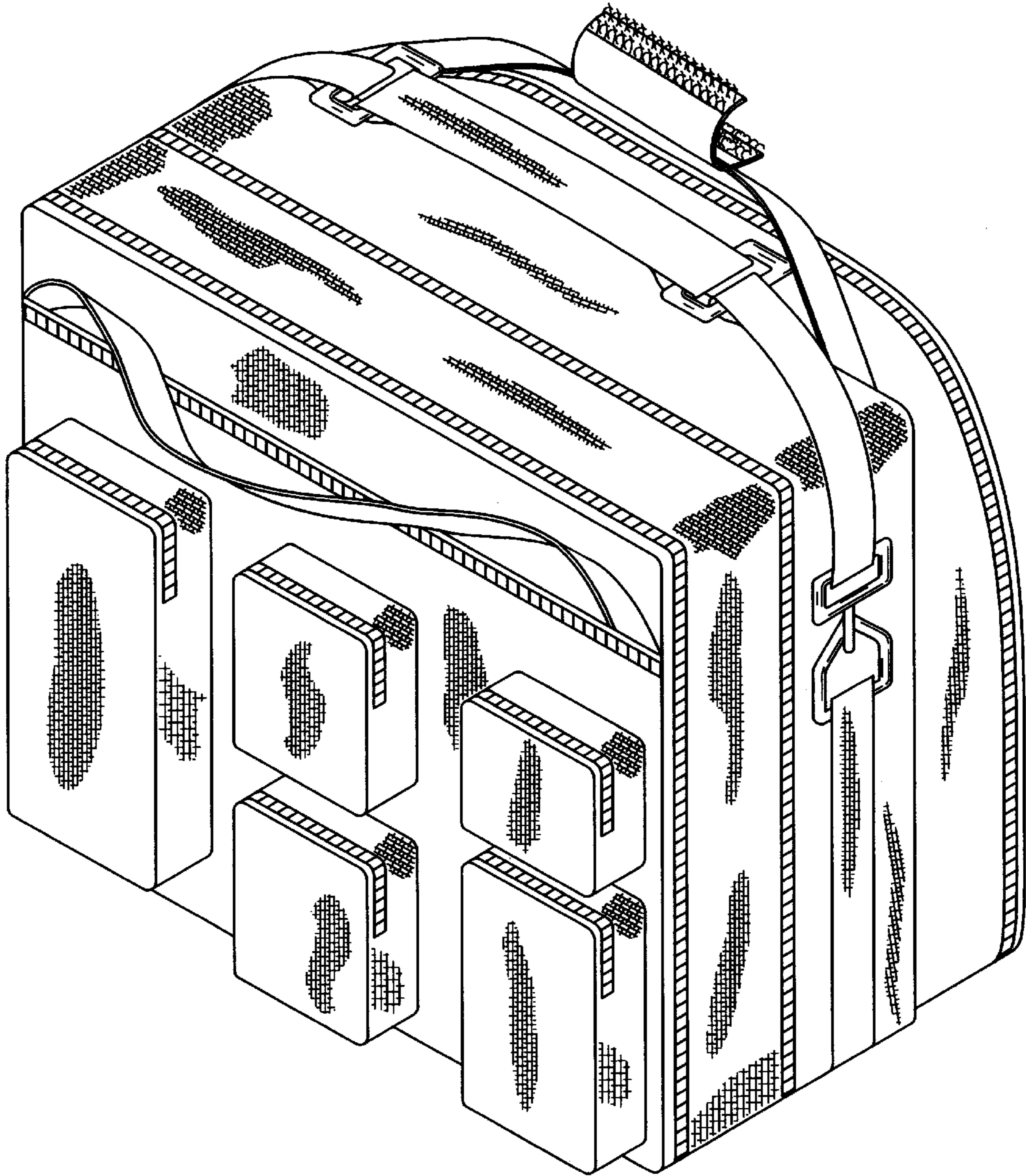


FIG. 2

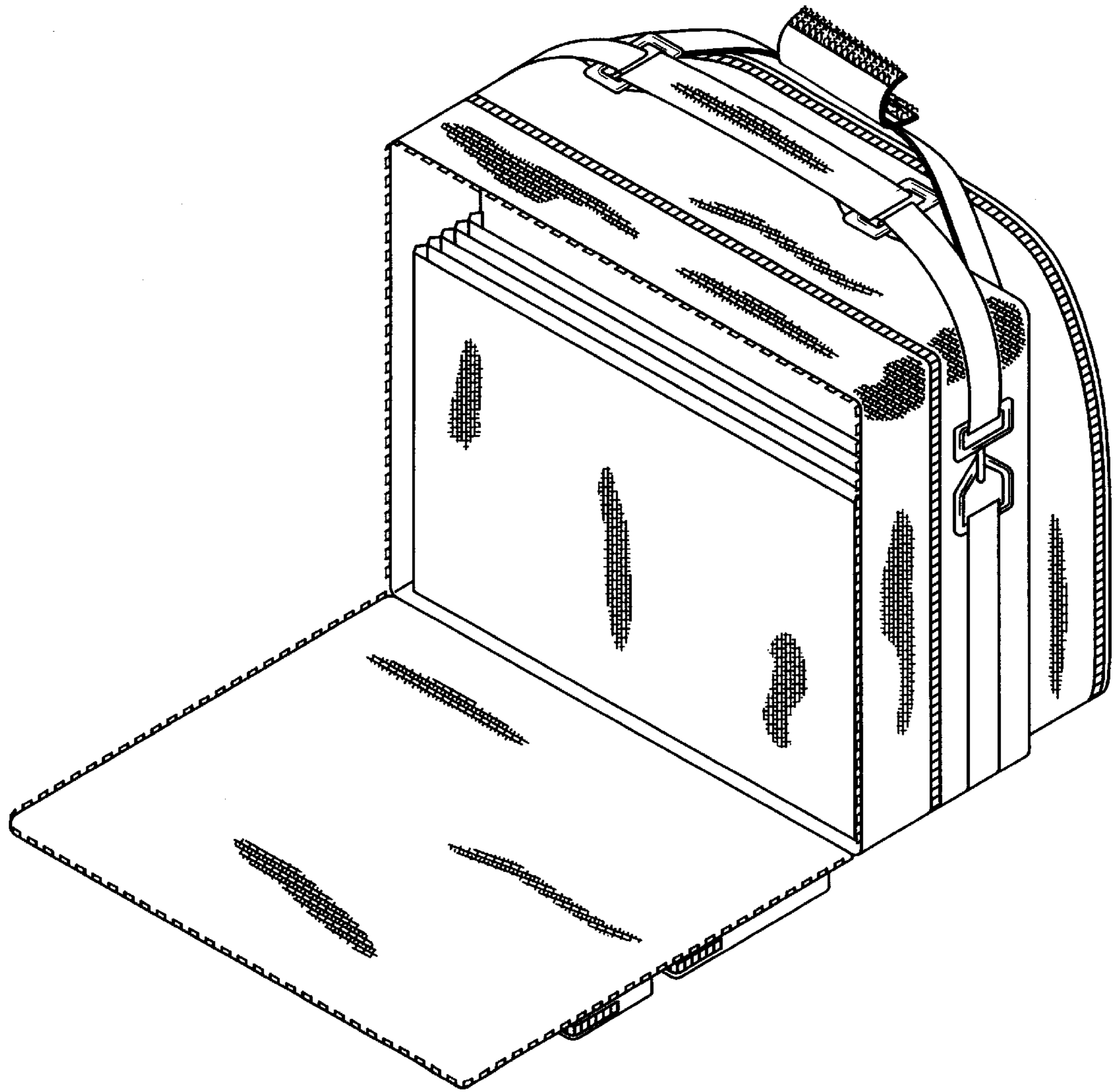


FIG. 3

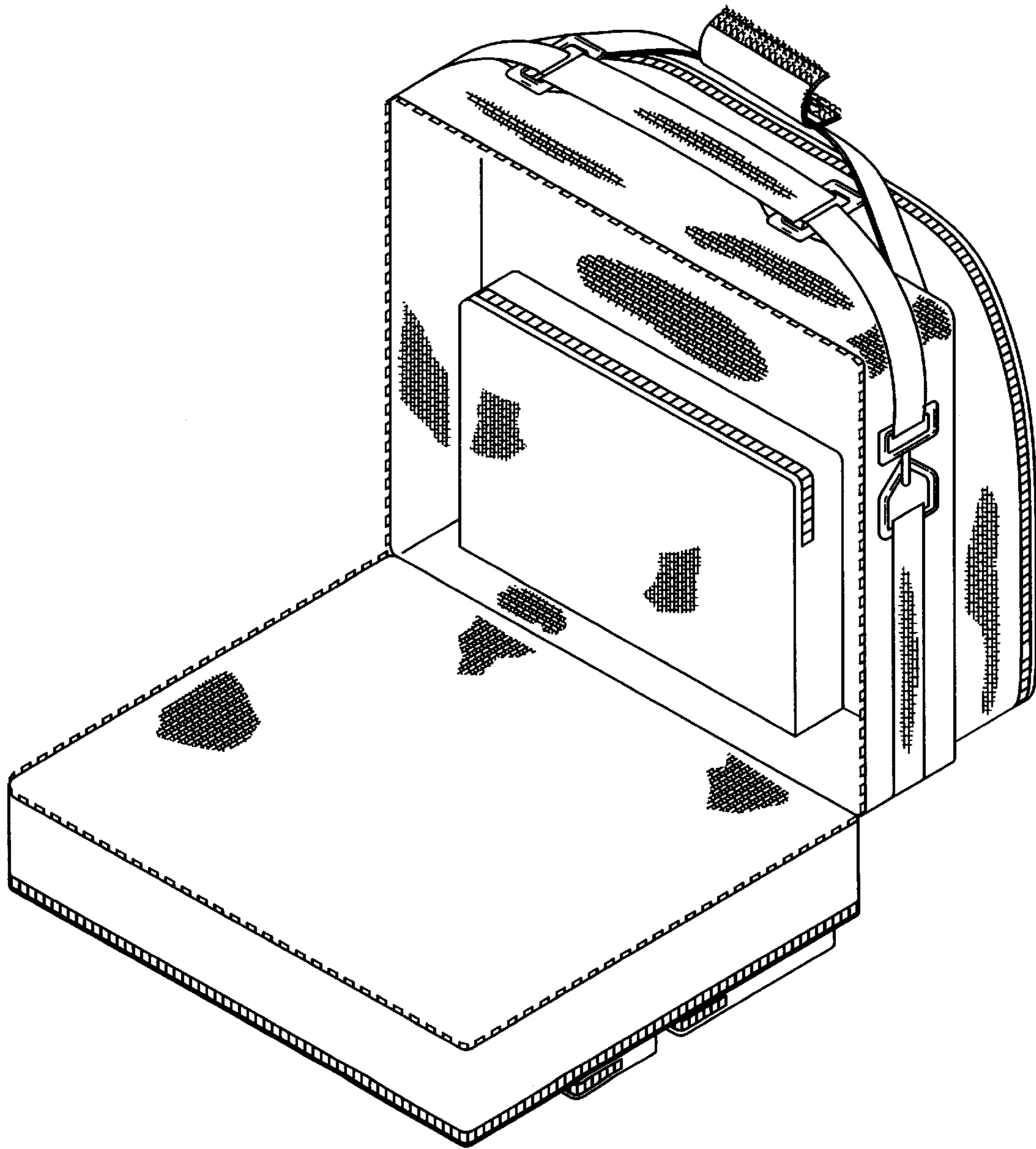


FIG. 4

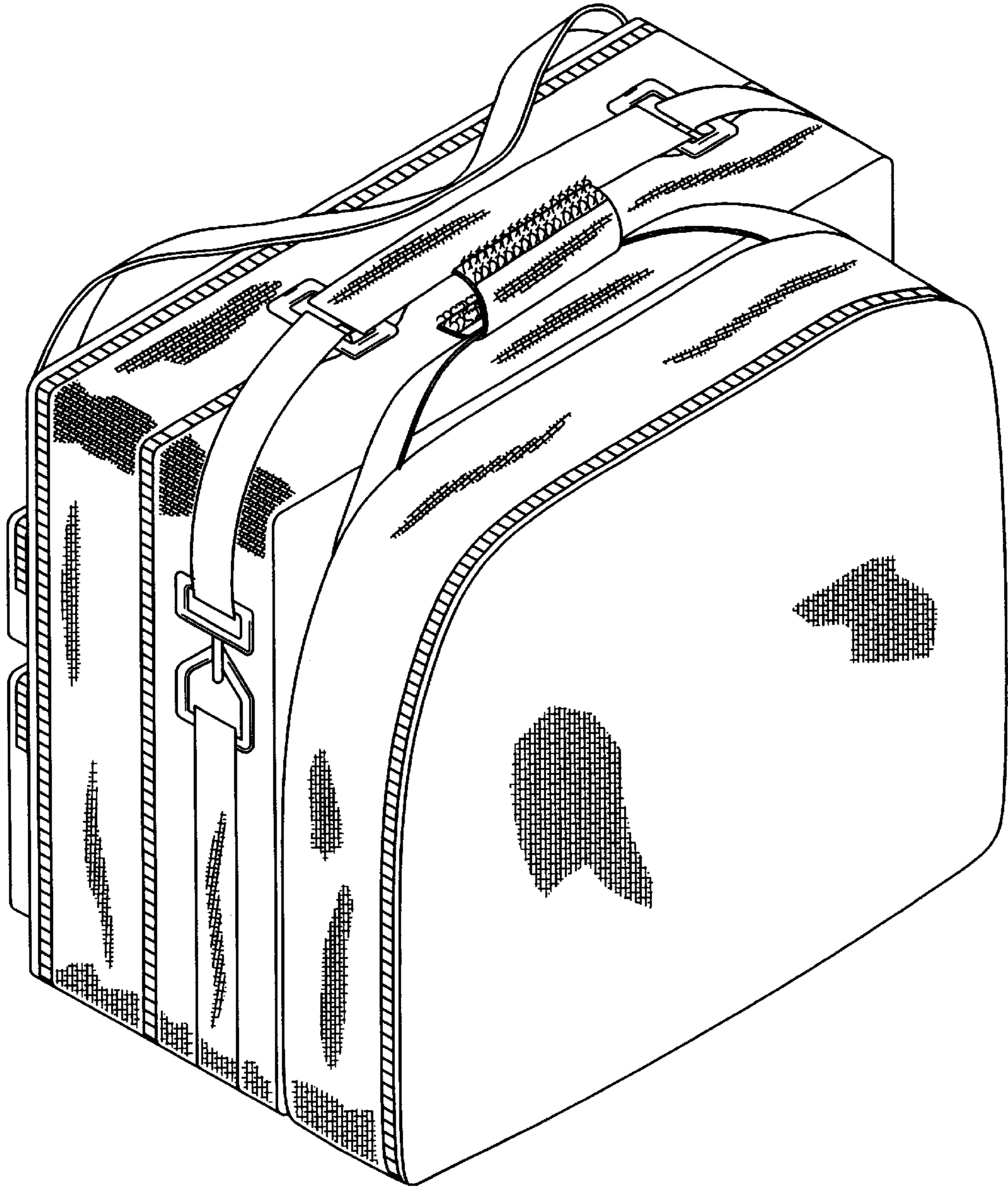


FIG. 5

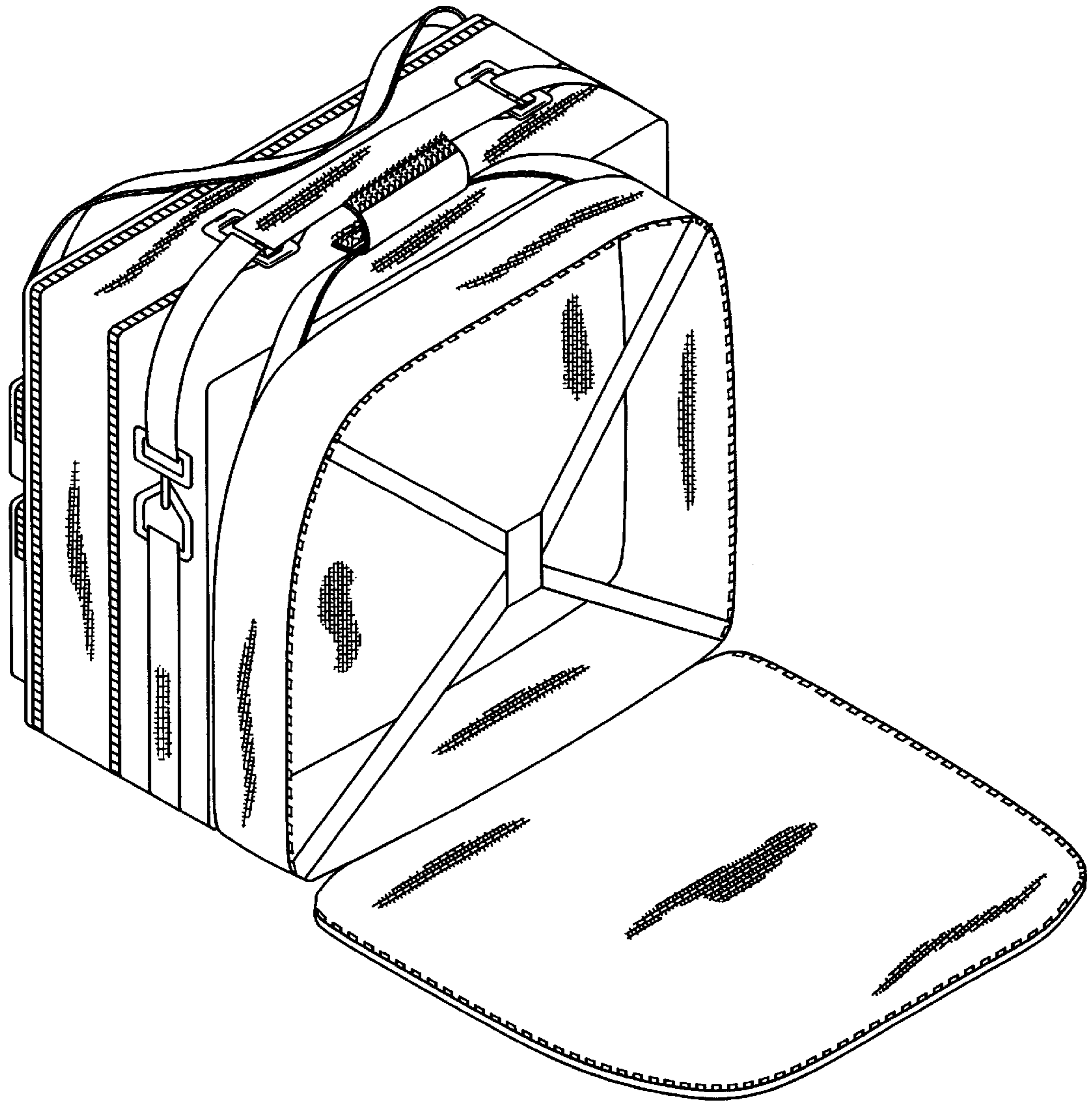


FIG. 6

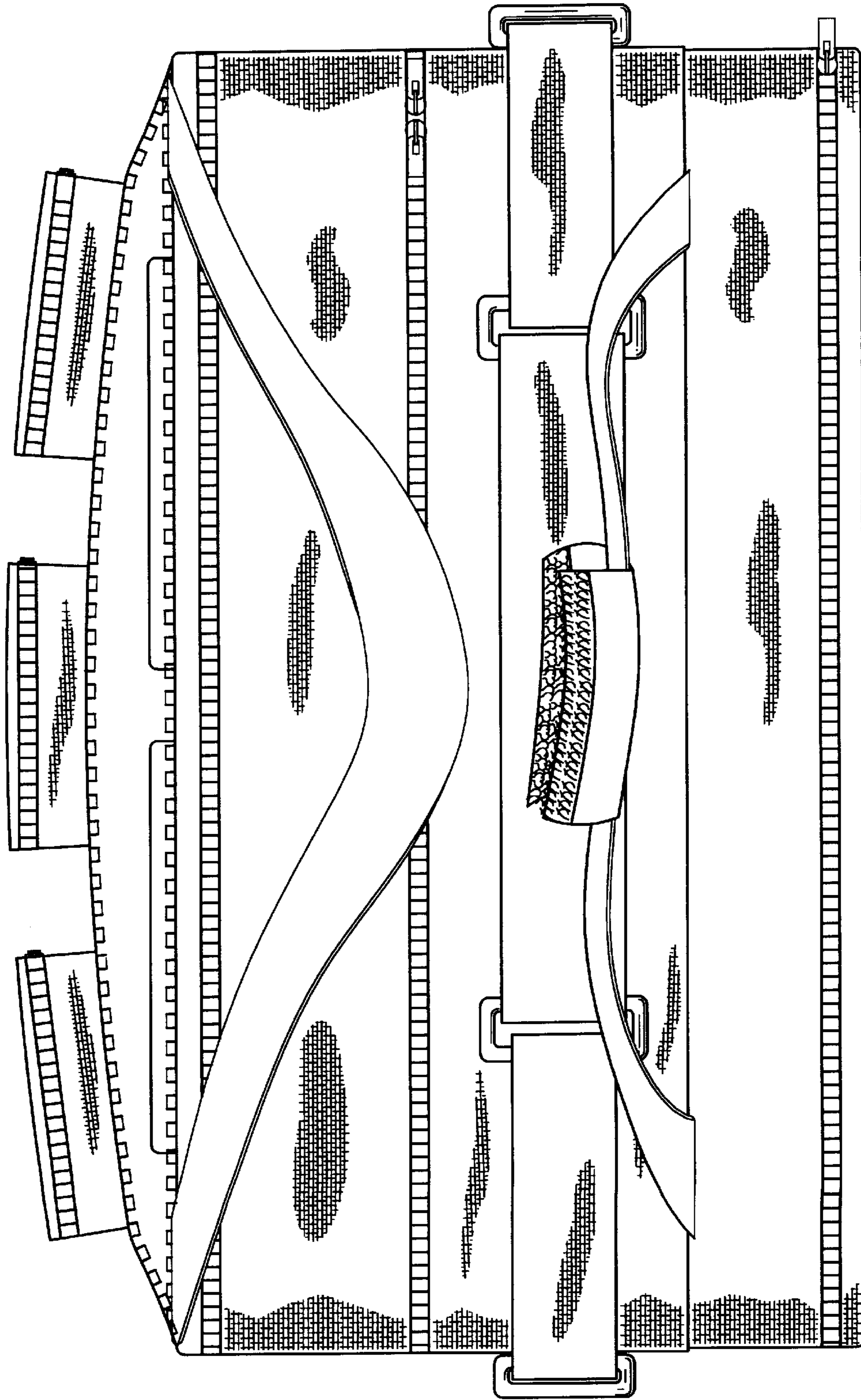


FIG. 7

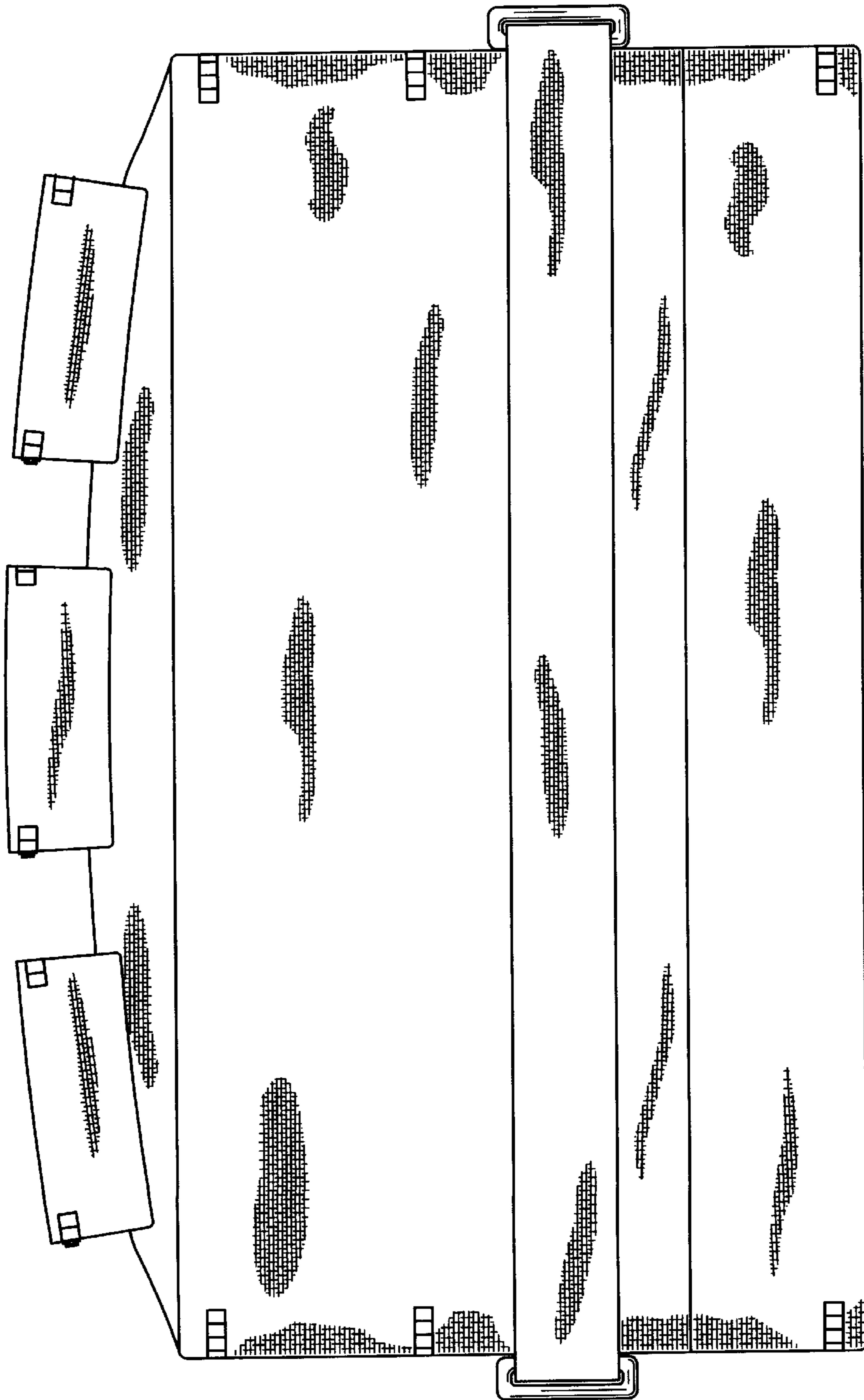


FIG. 8