



US00D439408S

(12) **United States Design Patent**
Gibson et al.

(10) **Patent No.:** **US D439,408 S**

(45) **Date of Patent:** **** Mar. 27, 2001**

(54) **CARRYING AND STORAGE CASE**

(75) Inventors: **Bob Gibson**, Charlotte; **Jamey Boiter**, Belmont; **John Baker**, Davidson; **John (Brady) Bone**, Charlotte, all of NC (US)

(73) Assignee: **LF Corporation**, Wilmington, DE (US)

(**) Term: **14 Years**

(21) Appl. No.: **29/123,364**

(22) Filed: **May 16, 2000**

Related U.S. Application Data

(62) Division of application No. 29/108,963, filed on Aug. 6, 1999, now Pat. No. Des. 428,699.

(51) **LOC (7) Cl.** **03-01**

(52) **U.S. Cl.** **D3/282; D3/276**

(58) **Field of Search** D3/272, 273, 276, D3/281, 282, 294, 905; 206/372, 373, 349, 379; 190/110, 111, 112

(56) **References Cited**

U.S. PATENT DOCUMENTS

D. 314,669	2/1991	Kunimune	D3/282
D. 347,731	6/1994	Hayakawa et al.	D3/282
D. 351,504	* 10/1994	Tarozzi	D3/276
D. 362,546	9/1995	Mundorf et al.	D3/276
D. 368,371	4/1996	Calmeise	D3/282
D. 384,501	10/1997	Rosen	D3/282
D. 390,357	2/1998	Rosen	D3/282
D. 390,358	2/1998	Calmeise	D3/282

D. 391,760	3/1998	Zeller	D3/281
D. 393,945	5/1998	Urvoy	D3/282
D. 399,652	10/1998	Fang	D3/282
D. 406,192	3/1999	Schurman	D3/282
D. 413,440	9/1999	Schurman	D3/282
4,998,616	3/1991	Hillinger	206/748
5,114,007	5/1992	Chen	206/373
5,145,064	9/1992	Chen	206/372

* cited by examiner

Primary Examiner—Philip S. Hyder

(74) *Attorney, Agent, or Firm*—Alston & Bird LLP

(57) **CLAIM**

The ornamental design for a carrying and storage case, as shown and described.

DESCRIPTION

FIG. 1 is a perspective view of a carrying and storage case in accordance with the new design;

FIG. 2 is front elevation of the carrying and storage case of FIG. 1;

FIG. 3 is rear elevation of the carrying and storage case of FIG. 1;

FIG. 4 is a left-side elevation of the carrying and storage case of FIG. 1;

FIG. 5 is right-side elevation of the carrying and storage case of FIG. 1;

FIG. 6 is top elevation of the carrying and storage case of FIG. 1; and,

FIG. 7 is a bottom elevation of the carrying and storage case of FIG. 1.

1 Claim, 3 Drawing Sheets

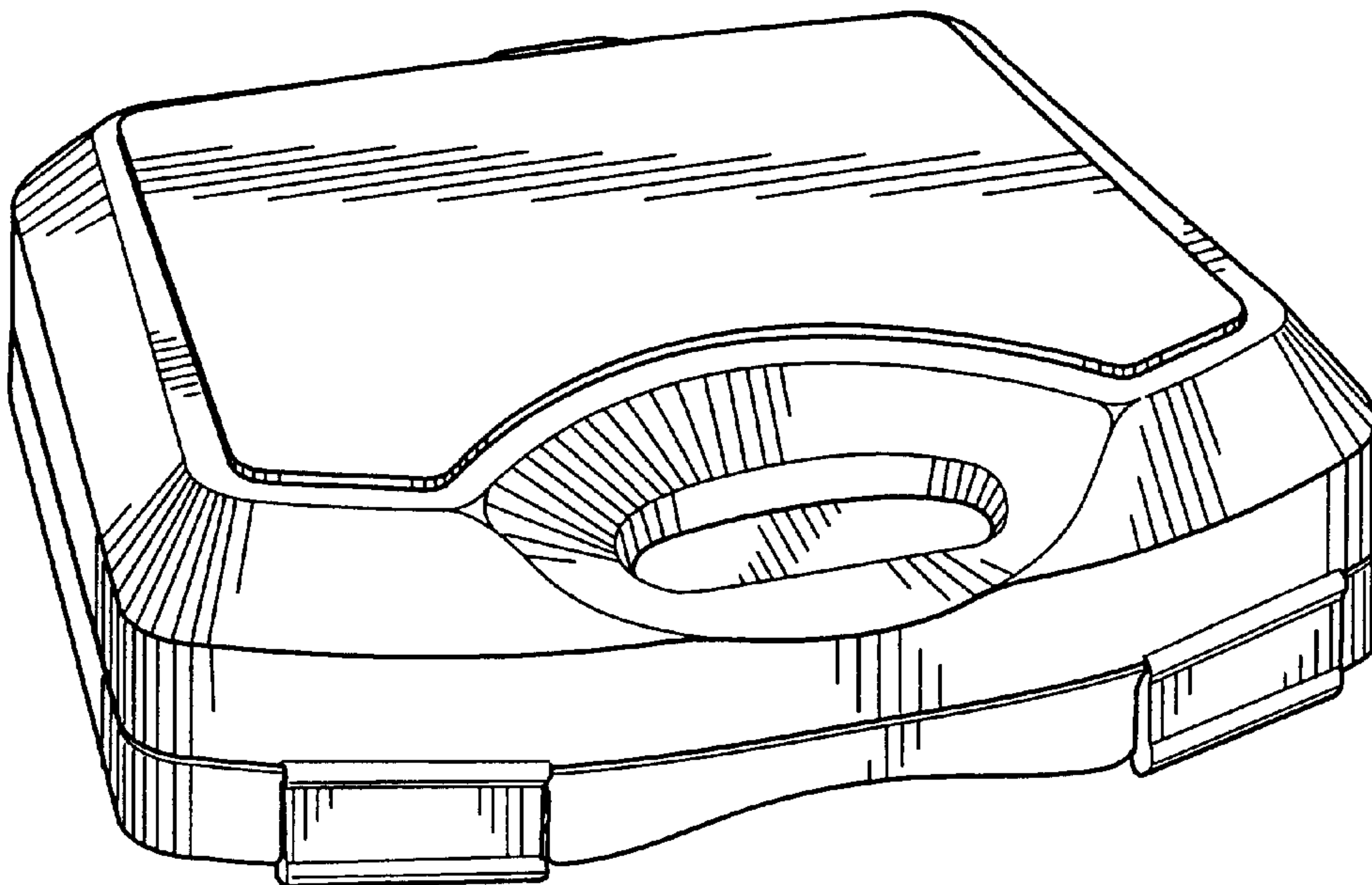


FIG. 1

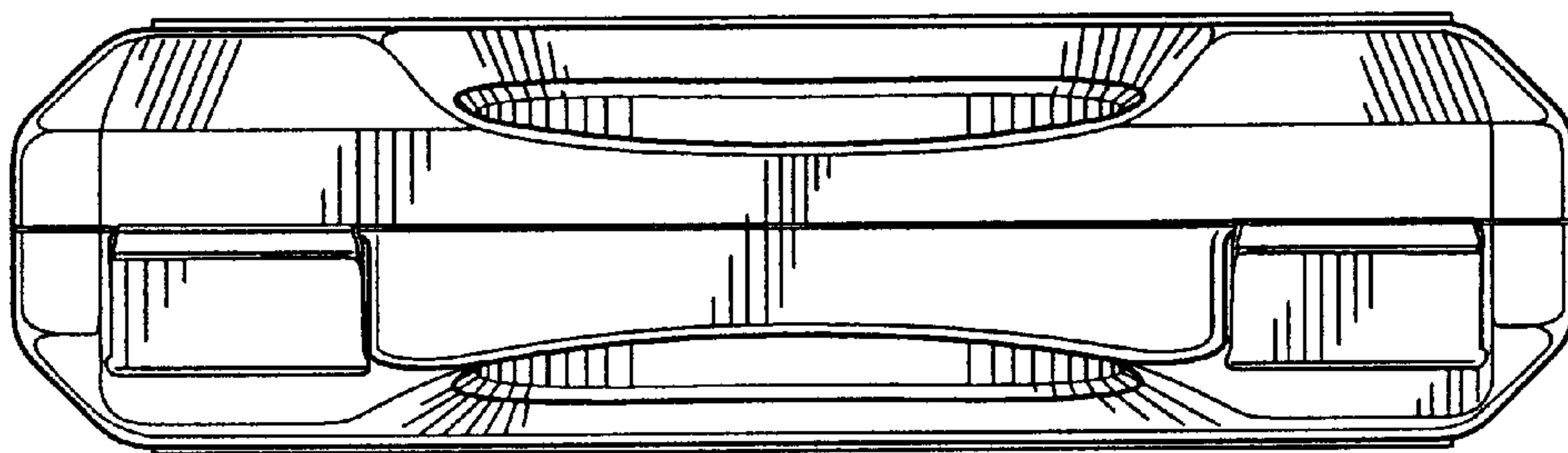
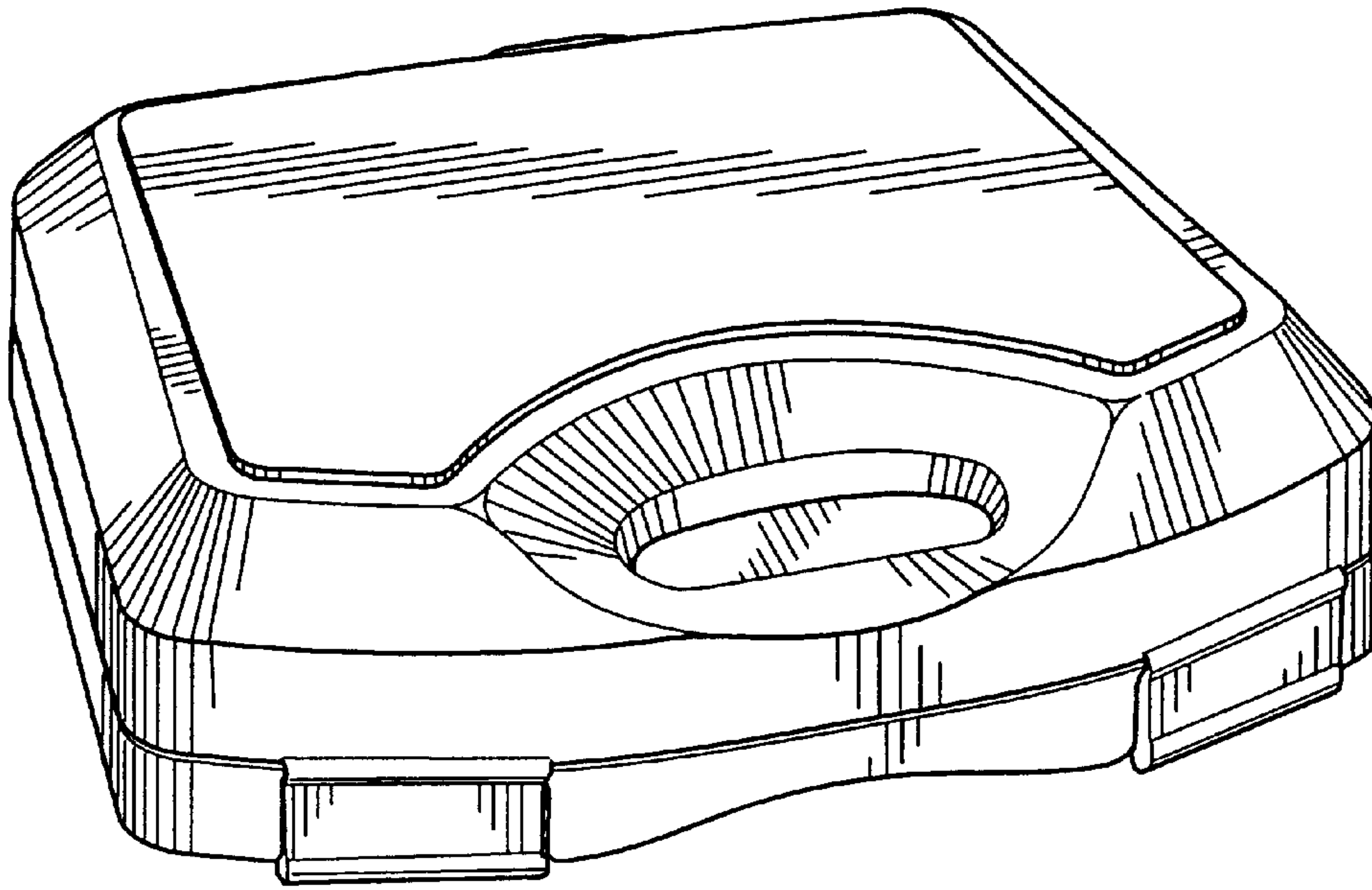


FIG. 2

FIG. 3

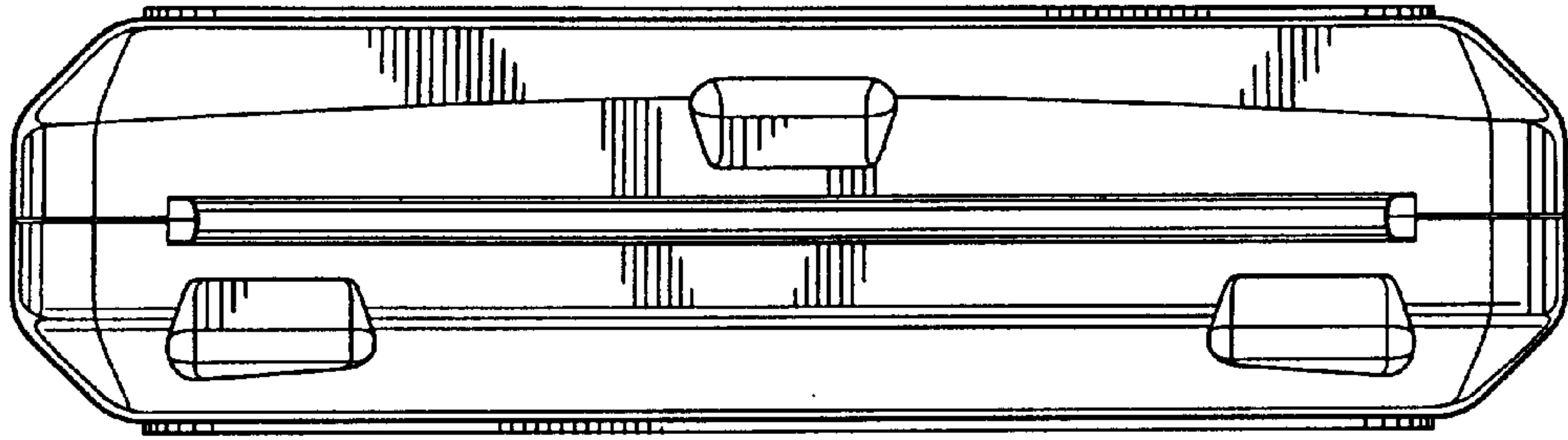


FIG. 4

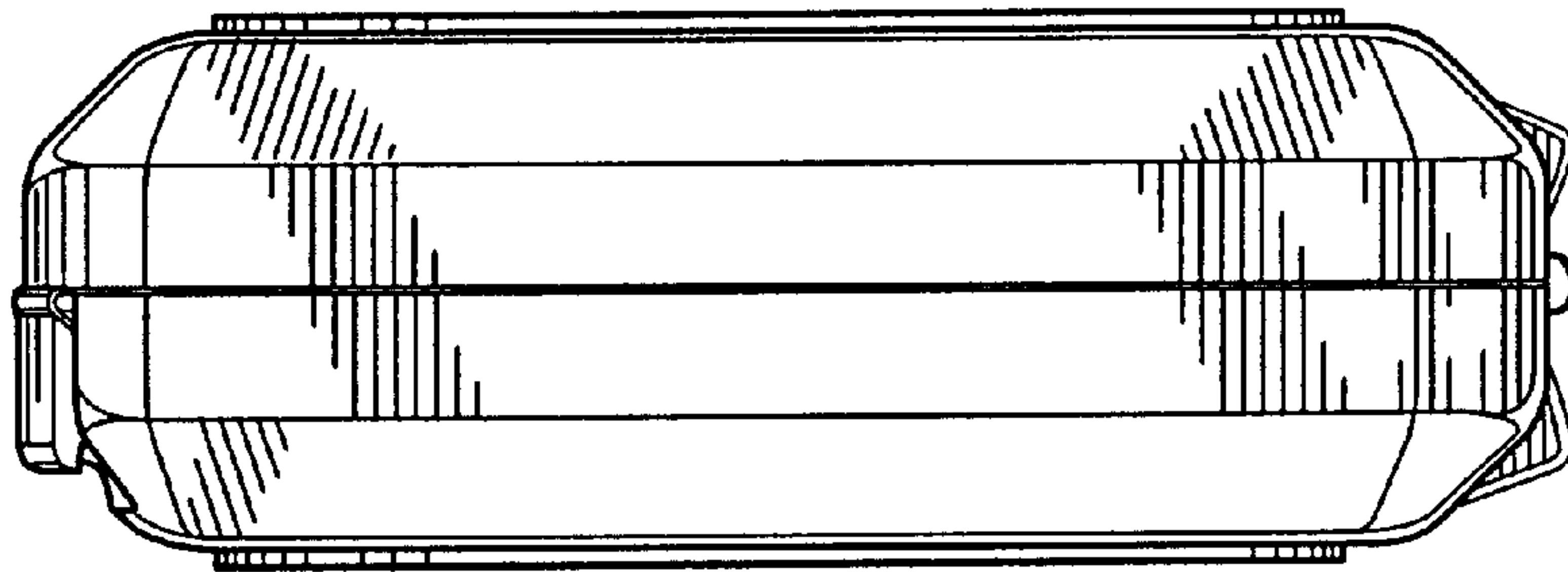


FIG. 5

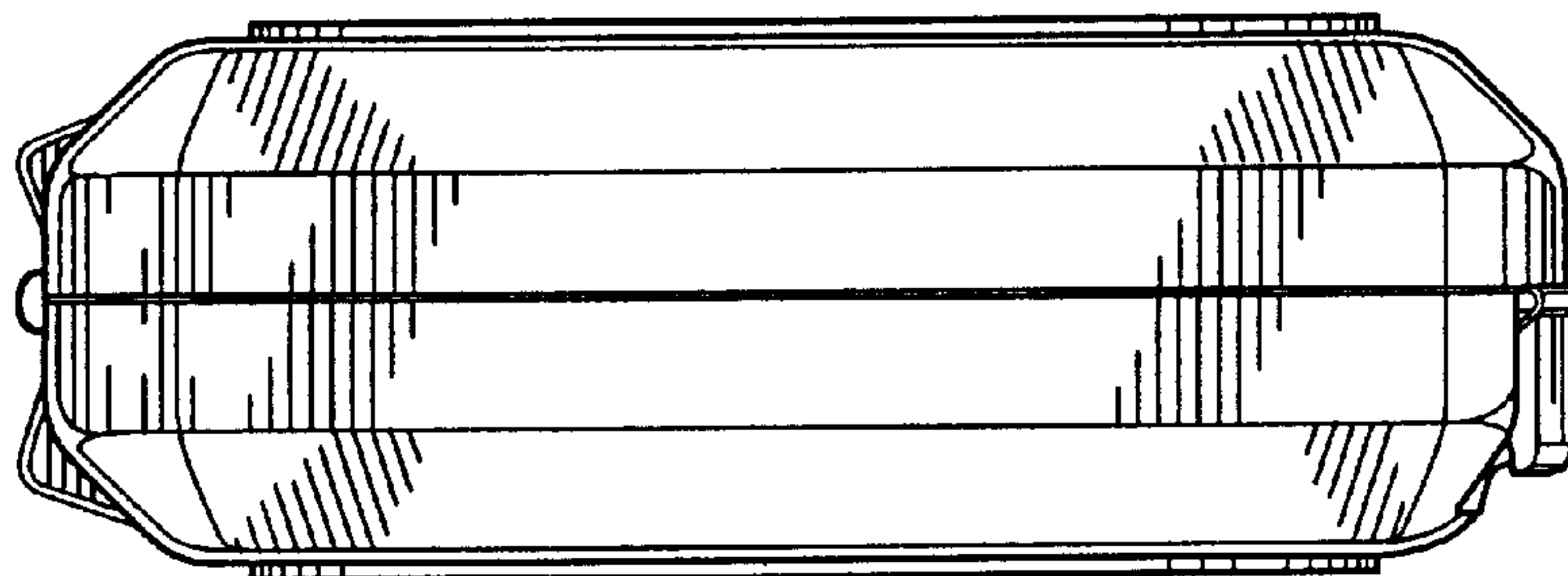


FIG. 6

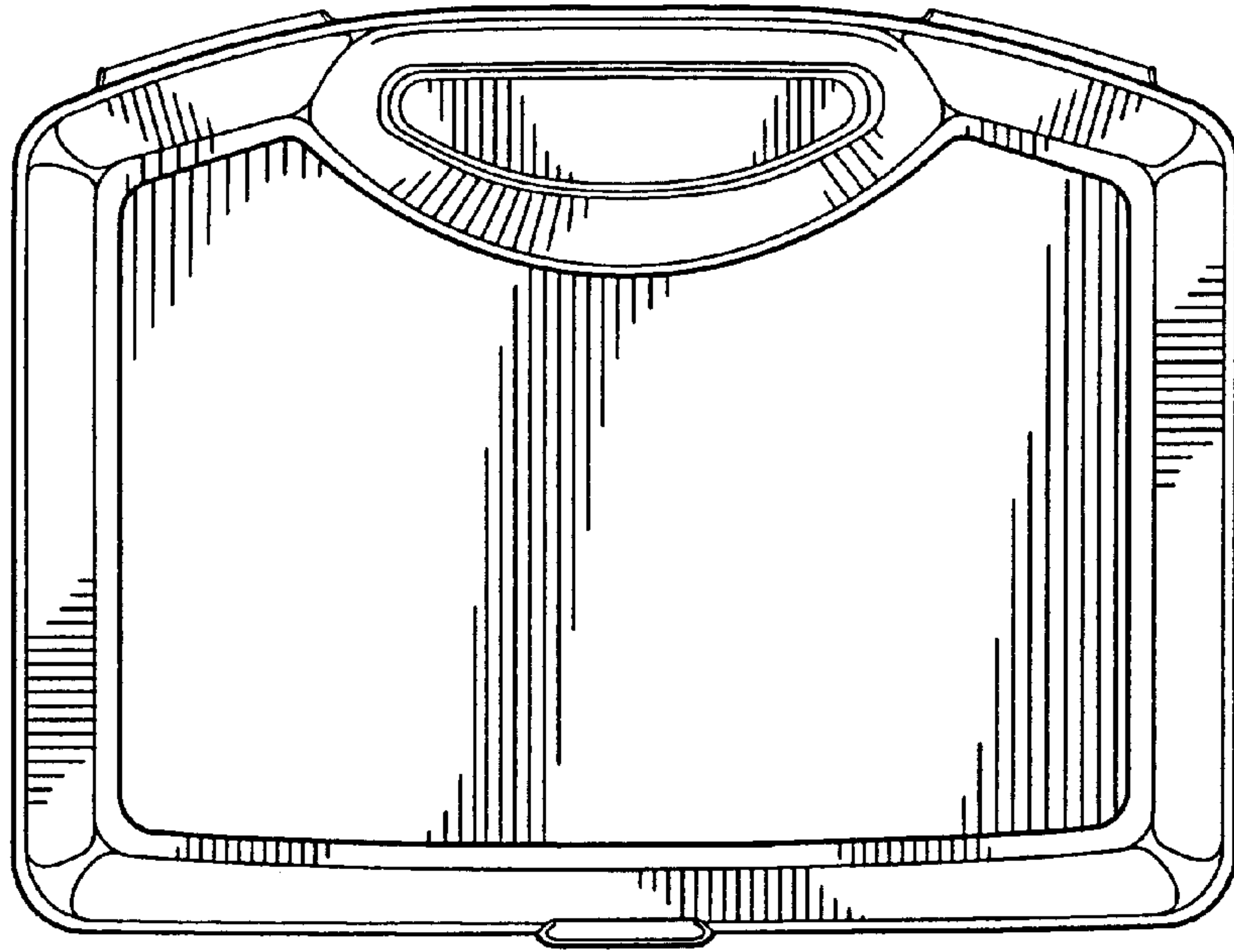


FIG. 7

