



US00D439407S

(12) **United States Design Patent**
Parker

(10) **Patent No.:** **US D439,407 S**

(45) **Date of Patent:** **** Mar. 27, 2001**

(54) **CASE**

D. 421,525 * 3/2000 Lee D3/276

(75) **Inventor:** **David H. Parker**, Torrance, CA (US)

OTHER PUBLICATIONS

(73) **Assignee:** **Pelican Products, Inc.**, Torrance, CA (US)

Two pages from www.pelican.com depicting Pelican Products cases.

(**) **Term:** **14 Years**

* cited by examiner

(21) **Appl. No.:** **29/125,262**

Primary Examiner—Philip S. Hyder

(22) **Filed:** **Jun. 20, 2000**

(74) *Attorney, Agent, or Firm*—Oppenheimer, Wolff & Donnelly LLP

(51) **LOC (7) Cl.** **03-01**

(52) **U.S. Cl.** **D3/276; D3/900**

(58) **Field of Search** D3/273, 276, 281, D3/282, 900; 190/109, 100, 111, 112, 113, 114, 115

(57) **CLAIM**

The ornamental design for a case, as shown and described.

(56) **References Cited**

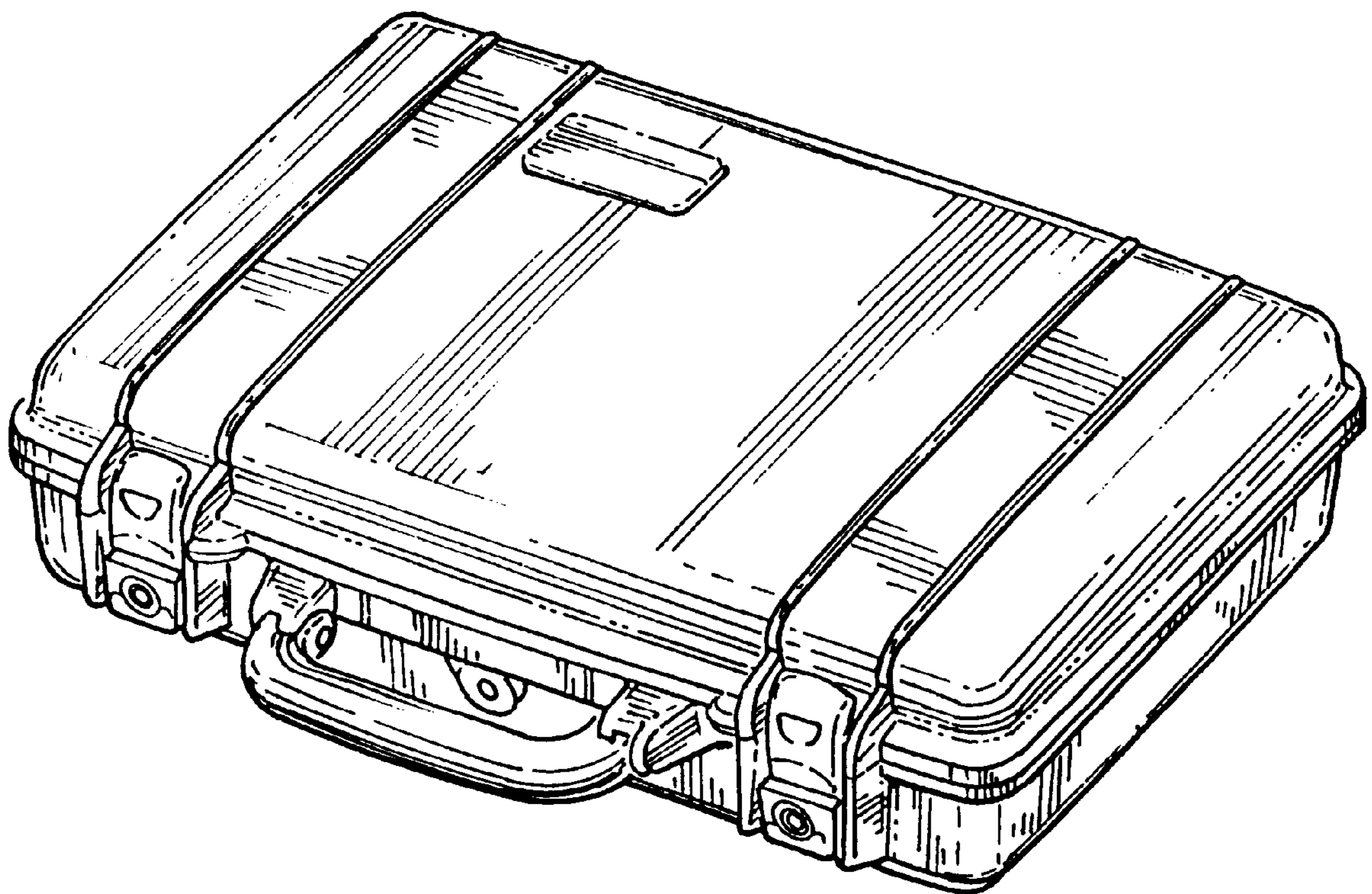
DESCRIPTION

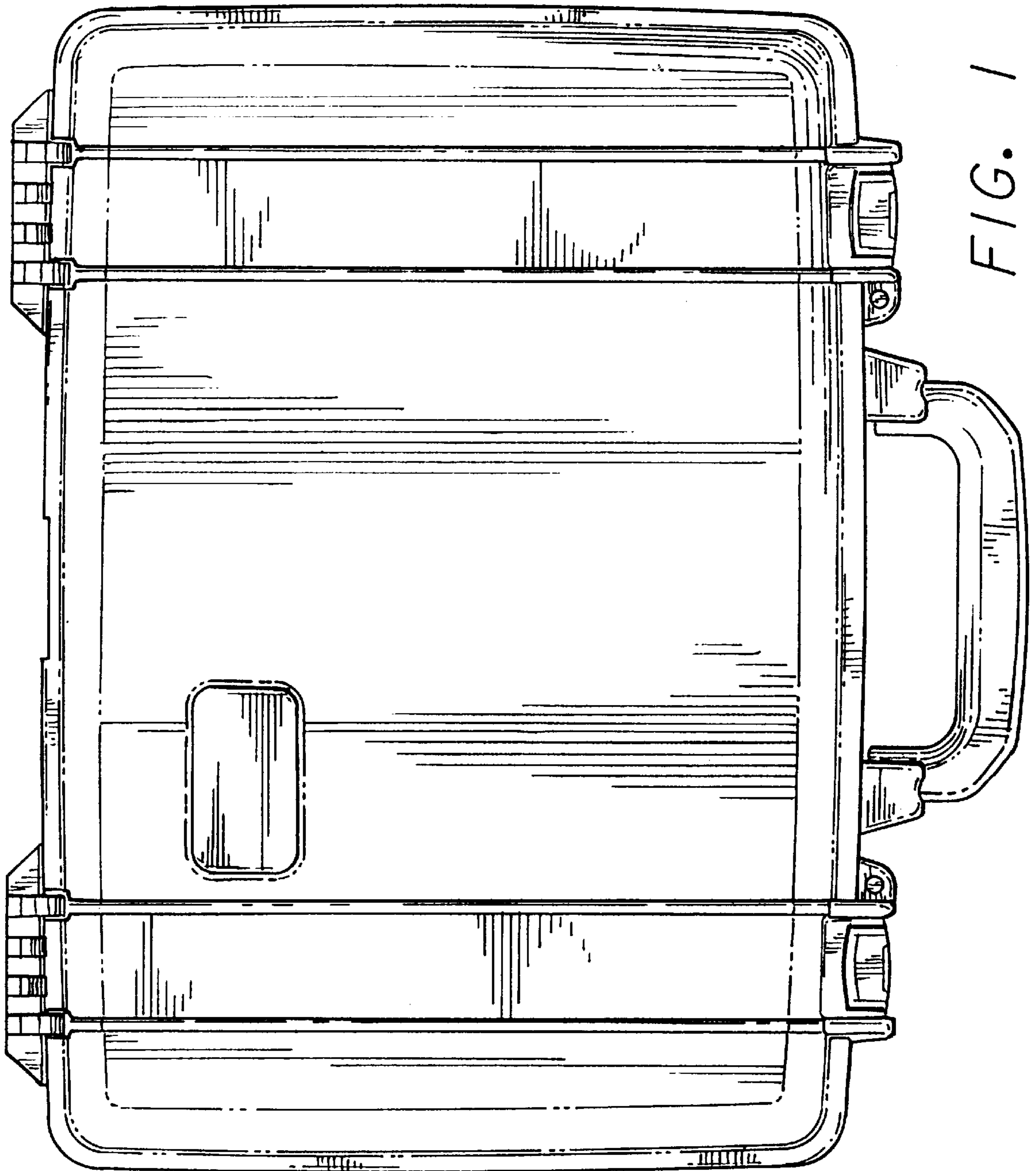
U.S. PATENT DOCUMENTS

- D. 299,590 * 1/1989 Omino D3/900
- D. 319,731 * 9/1991 Reynolds, Jr. et al. D3/900
- D. 325,819 * 5/1992 Lee D3/900
- D. 401,408 * 11/1998 Sun et al. D3/900
- D. 421,182 * 2/2000 Lee D3/276

FIG. 1 is a top plan view of the case;
 FIG. 2 is a front view of the case;
 FIG. 3 is a rear view of the case;
 FIG. 4 is a top front perspective view of the case;
 FIG. 5 is a rear perspective view of the case;
 FIG. 6 is a side view of the case;
 FIG. 7 is an opposite side view of the case; and,
 FIG. 8 is an underview of the case.

1 Claim, 5 Drawing Sheets





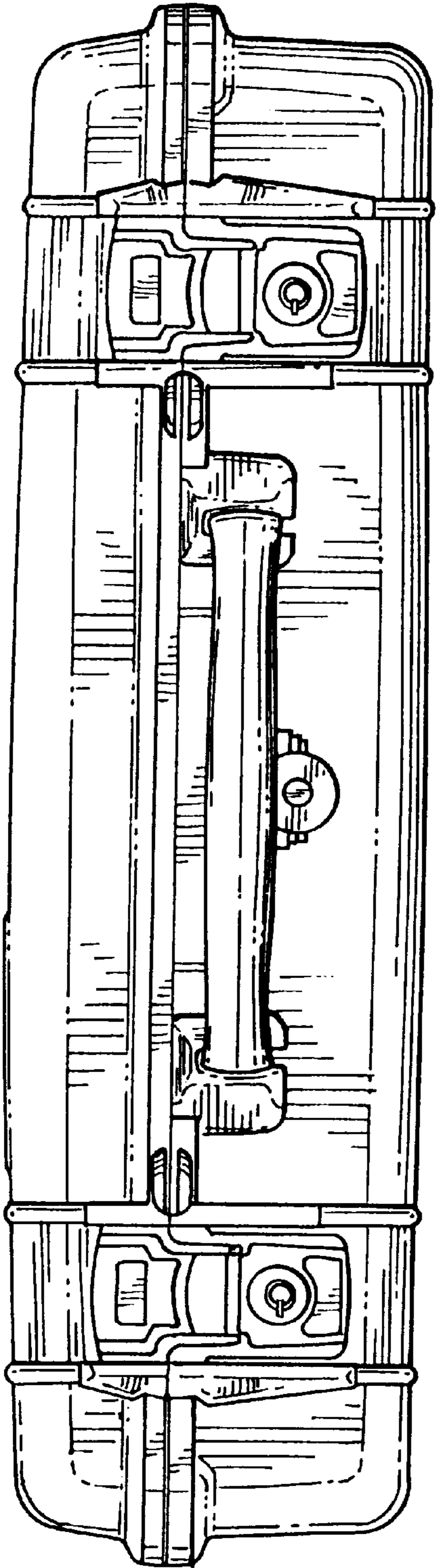


FIG. 2

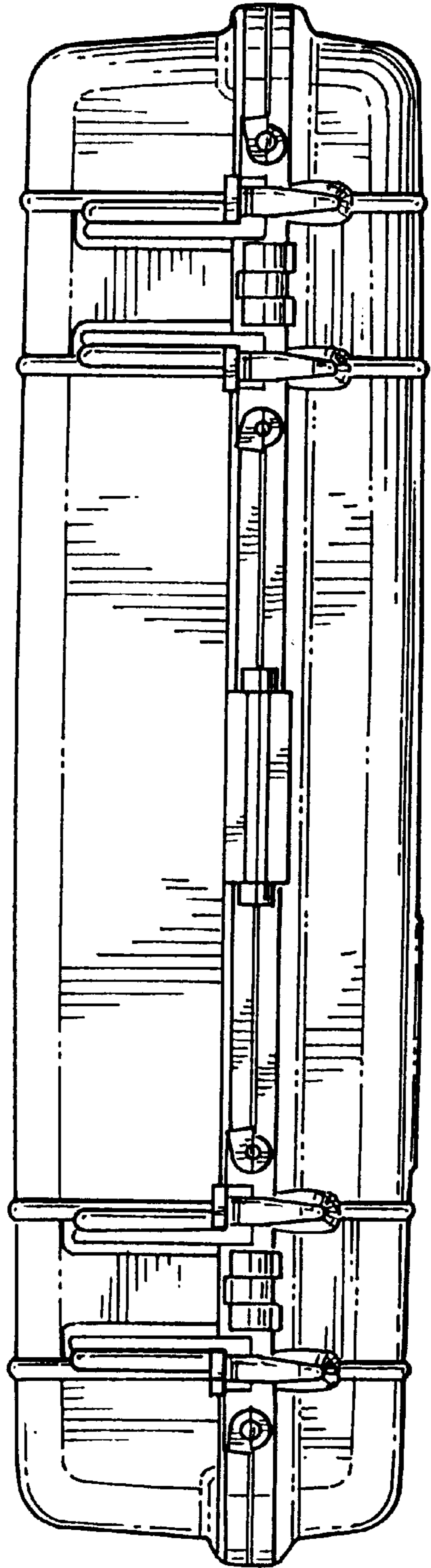


FIG. 3

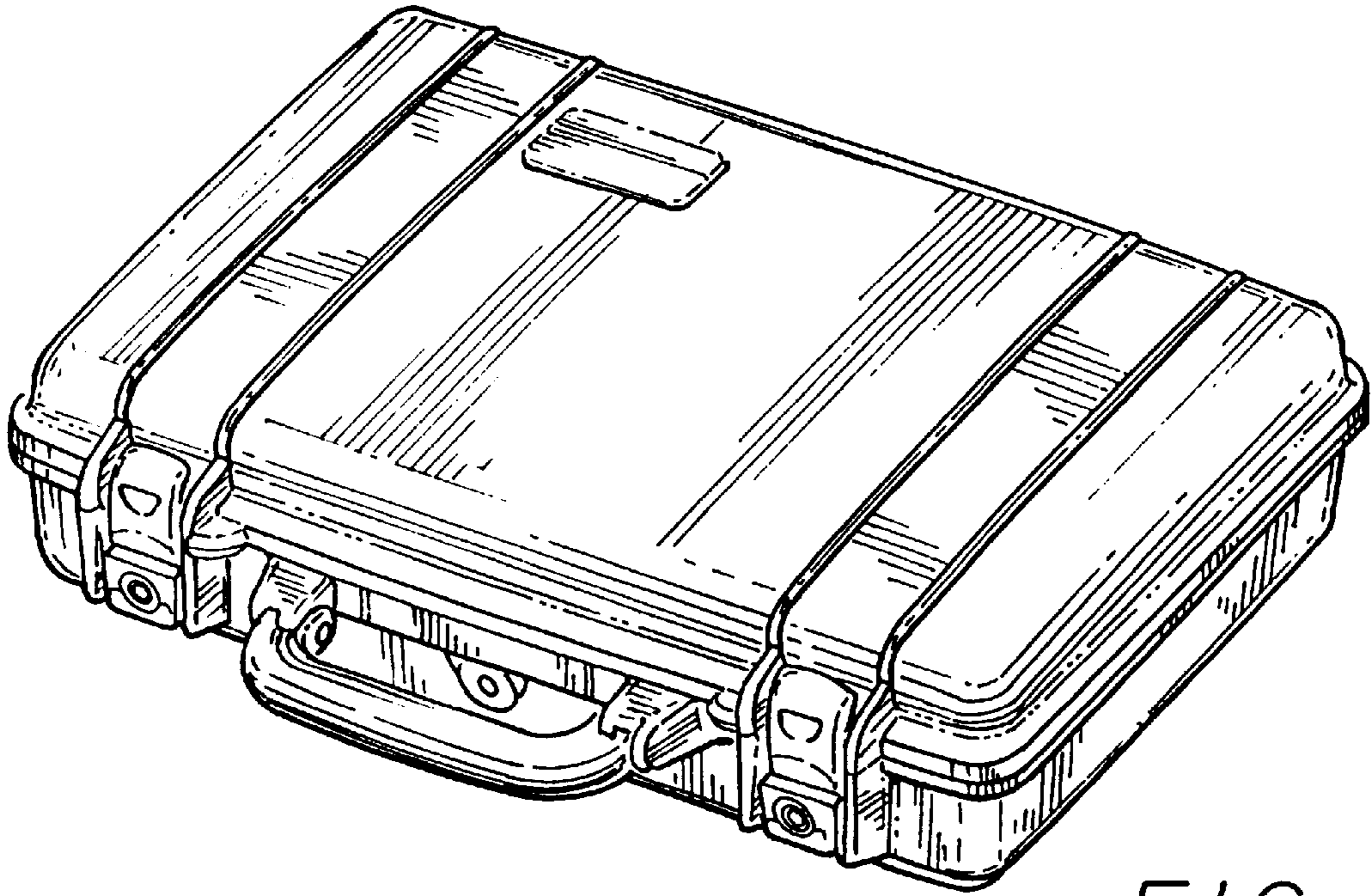
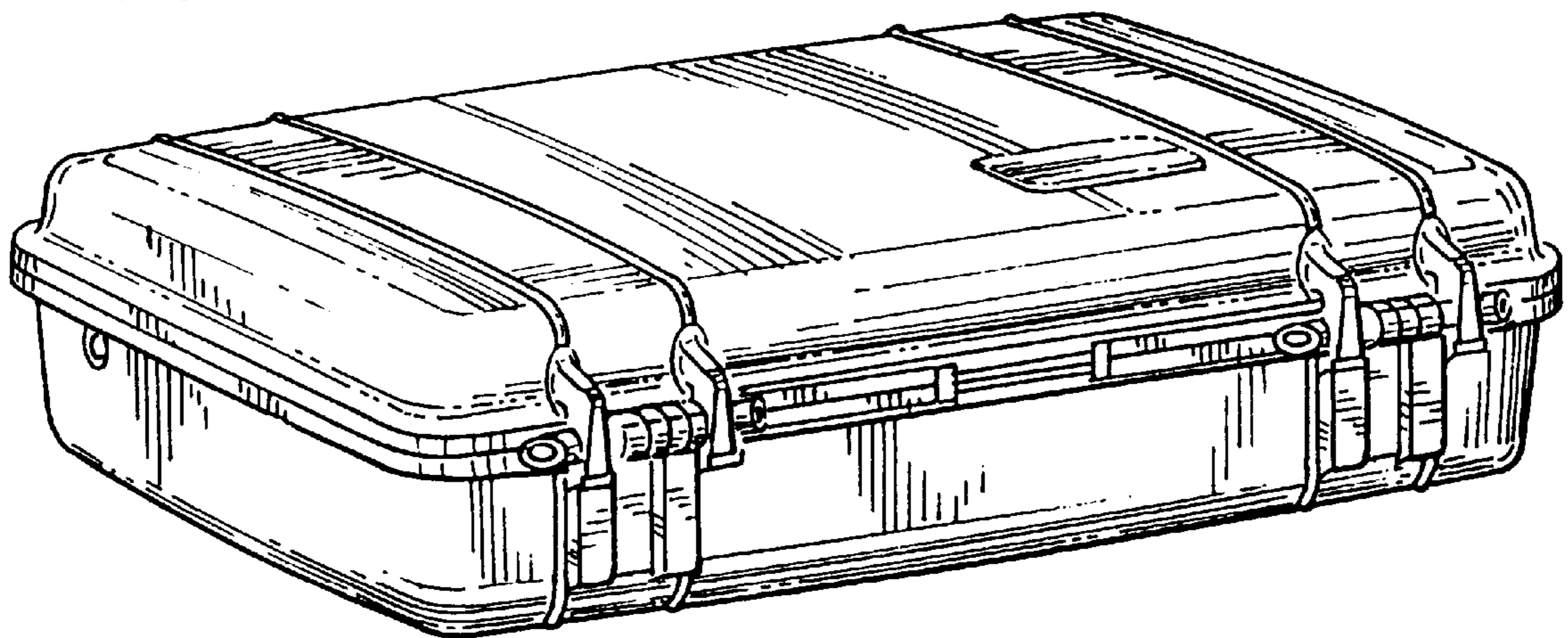


FIG. 4

FIG. 5



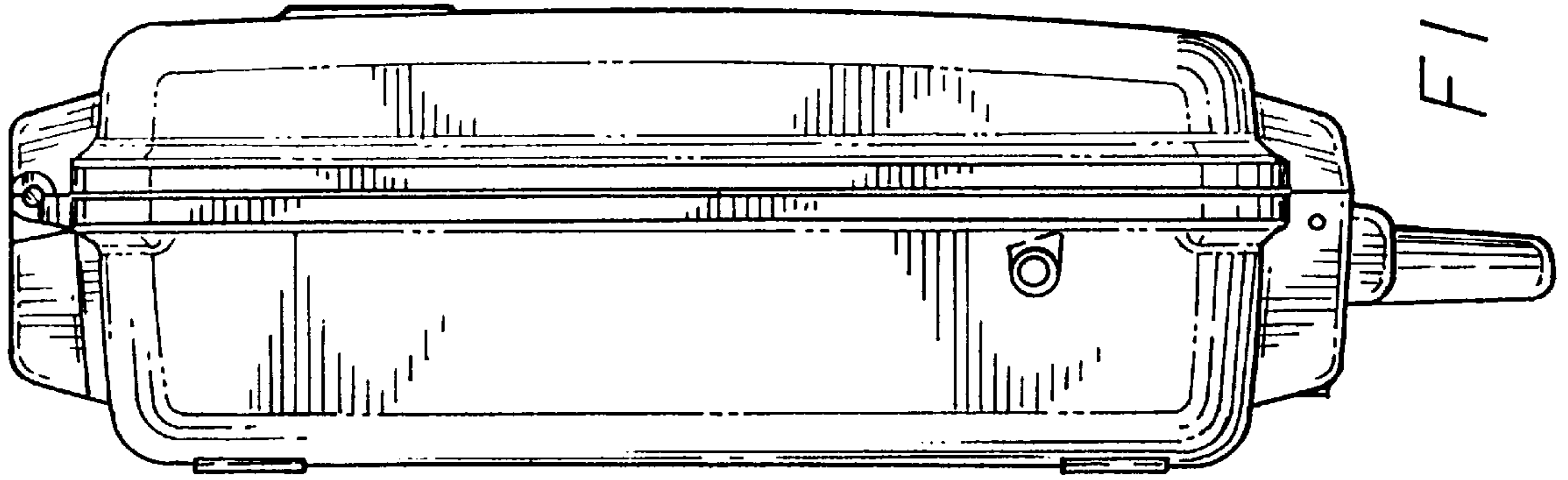


FIG. 7

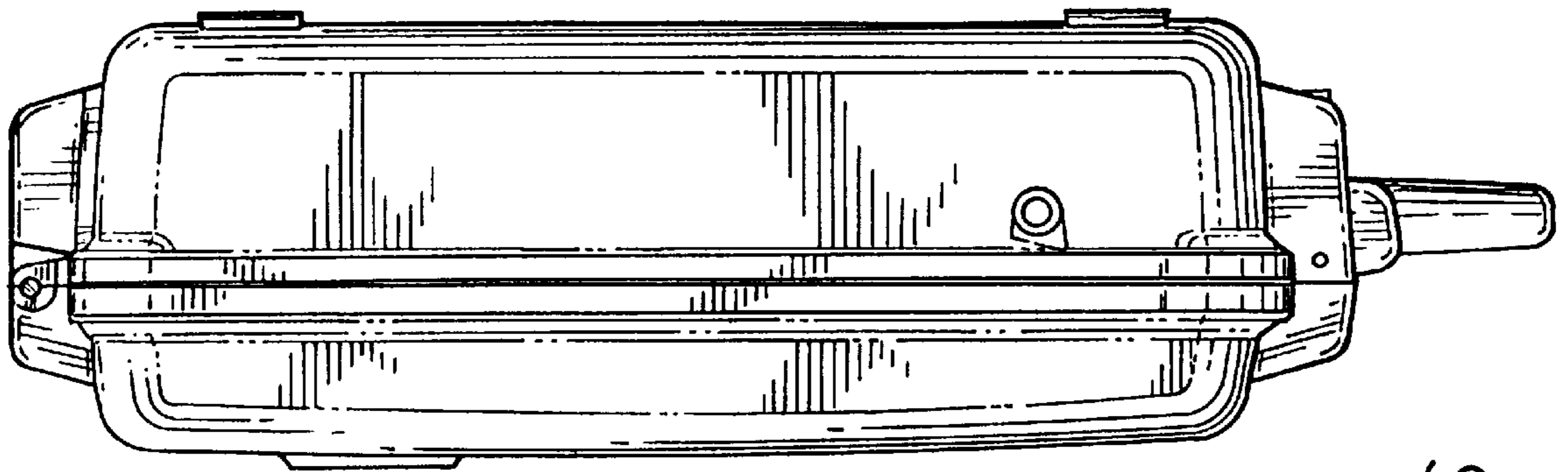


FIG. 6

FIG. 8

