



US00D439405S

(12) **United States Design Patent**  
**Veazey**

(10) **Patent No.:** **US D439,405 S**

(45) **Date of Patent:** **\*\* Mar. 27, 2001**

(54) **JEWELRY DISPLAY CASE**

(76) **Inventor:** **Robert M. Veazey**, 2527 N.  
Plumthicket Ct., Wichita, KS (US)  
67226

(\*\*) **Term:** **14 Years**

(21) **Appl. No.:** **29/122,692**

(22) **Filed:** **May 2, 2000**

(51) **LOC (7) Cl.** ..... **03-01**

(52) **U.S. Cl.** ..... **D3/271; 903/273**

(58) **Field of Search** ..... D3/270, 271, 272,  
D3/273, 294, 903; D9/307, 420; 206/457,  
6.1; 190/19, 37

(56) **References Cited**

**U.S. PATENT DOCUMENTS**

- D. 76,561 \* 10/1928 Snell ..... D3/270
- D. 84,954 \* 8/1931 Purchas ..... D3/270
- D. 173,199 \* 10/1954 Goodhue ..... D3/272

- D. 334,662 \* 4/1993 Van Berne ..... D3/272
- D. 354,518 \* 1/1995 Dieterich et al. .... D3/272
- D. 399,651 \* 10/1998 Maguire ..... D3/270

\* cited by examiner

*Primary Examiner*—Philip S. Hyder

(74) *Attorney, Agent, or Firm*—Crowe & Dunlevy

(57) **CLAIM**

I claim the ornamental design for a jewelry display case, as shown.

**DESCRIPTION**

FIG. 1 is a perspective view of a jewelry display case showing my new design;

FIG. 2 is an elevational view of one end thereof;

FIG. 3 is an elevational view of the other end thereof;

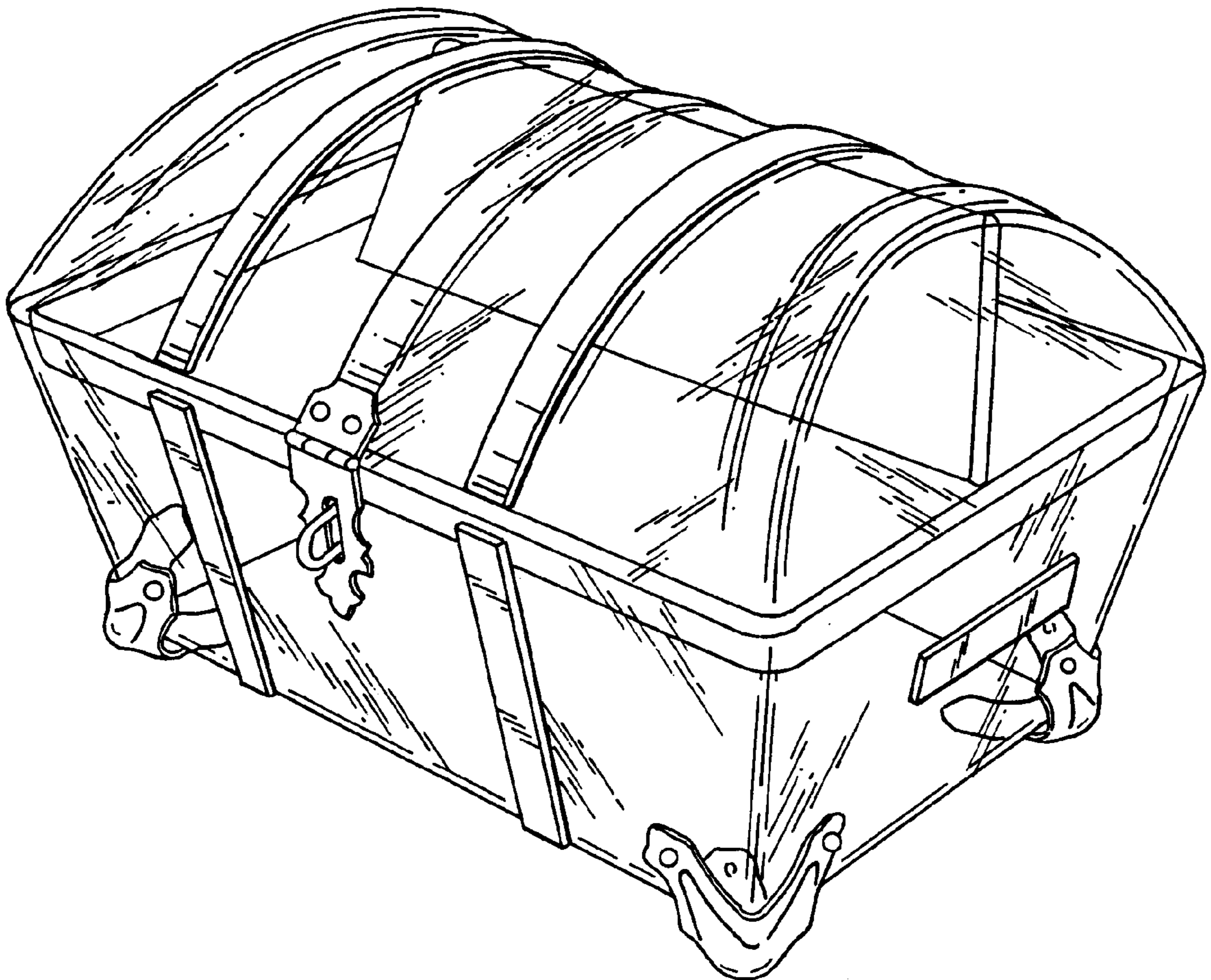
FIG. 4 is an elevational view of the front thereof;

FIG. 5 is an elevational view of the rear thereof;

FIG. 6 is a plan view of the top thereof; and,

FIG. 7 is a plan view of the bottom thereof.

**1 Claim, 3 Drawing Sheets**



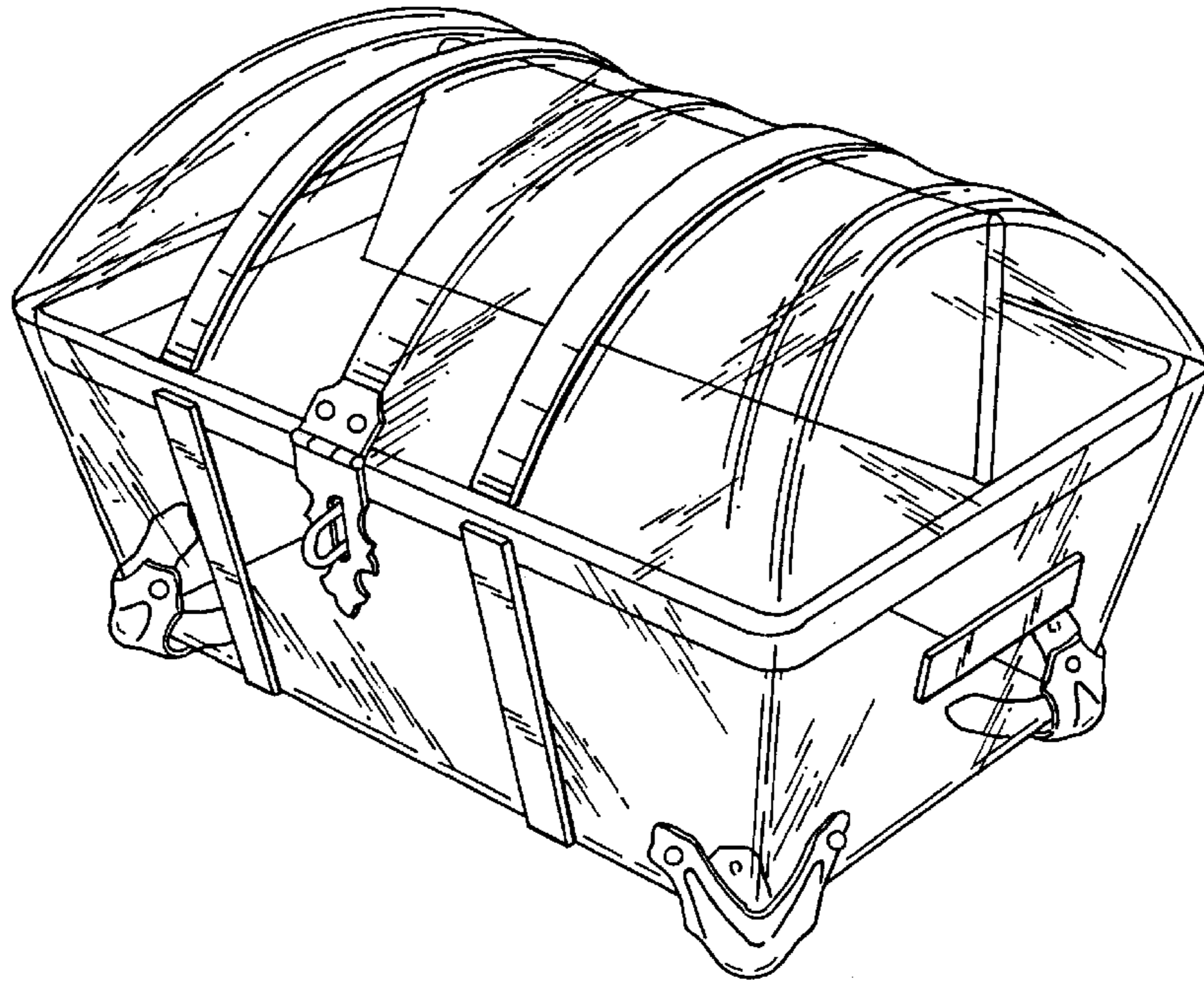


FIG. 1

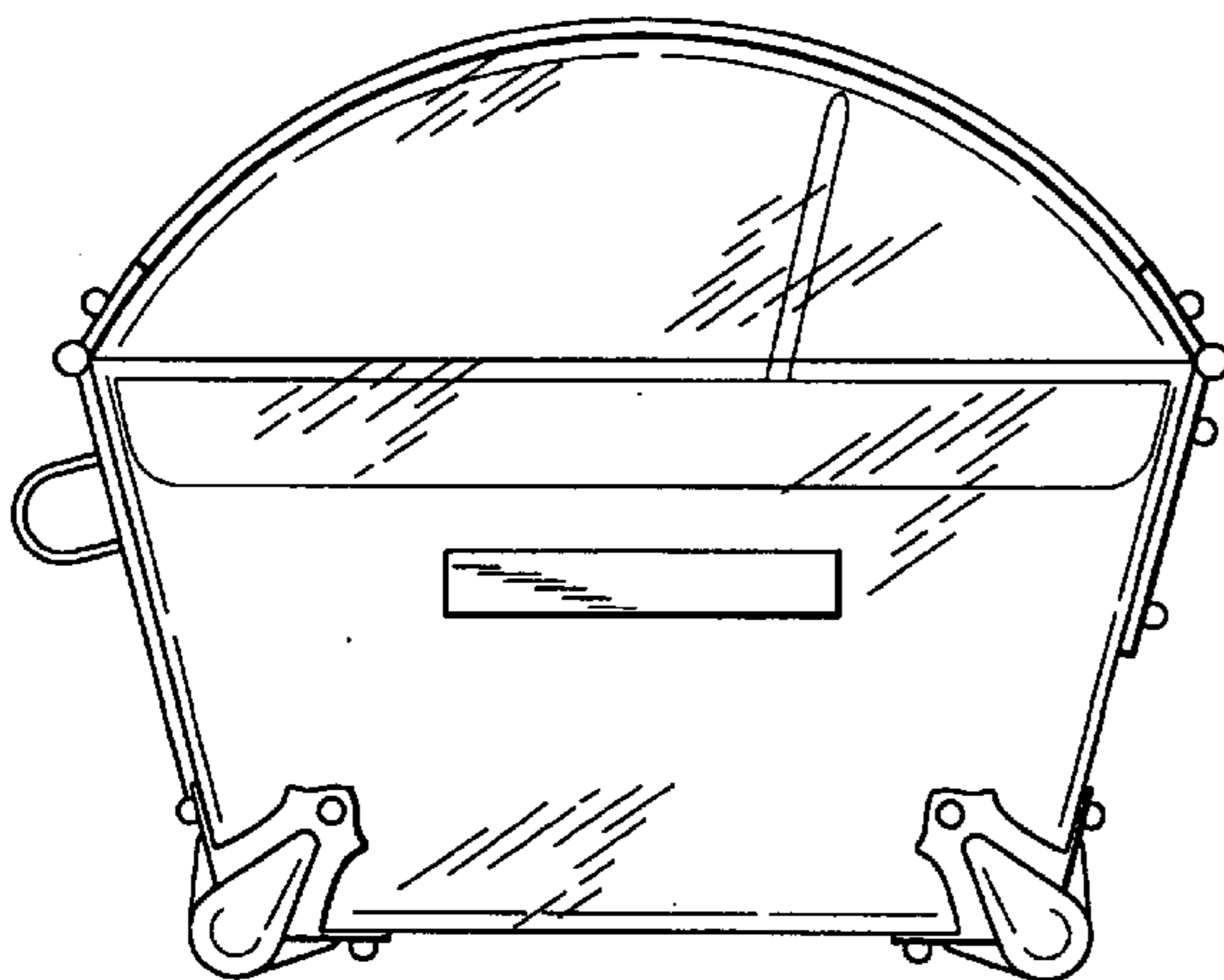


FIG. 2

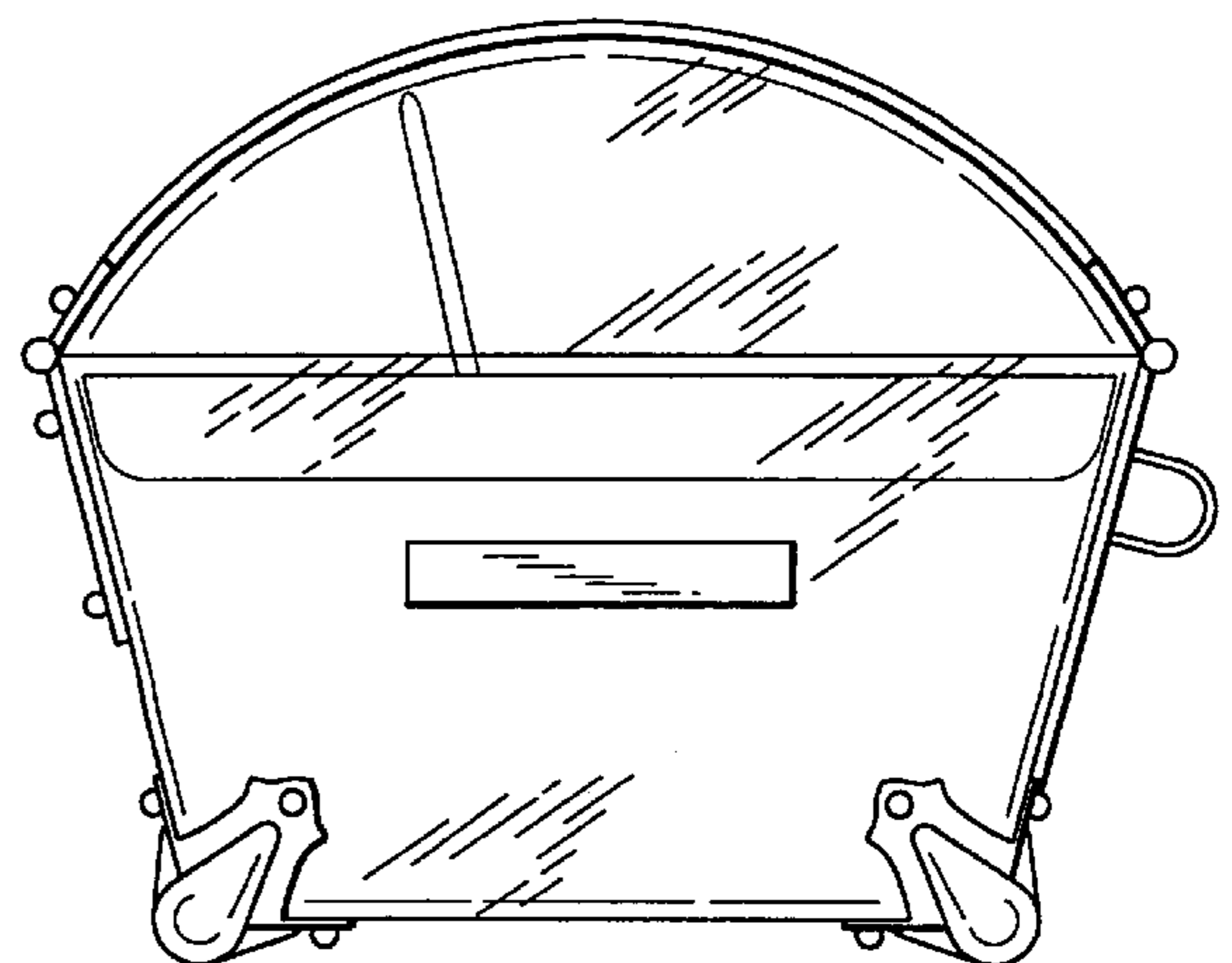


FIG. 3

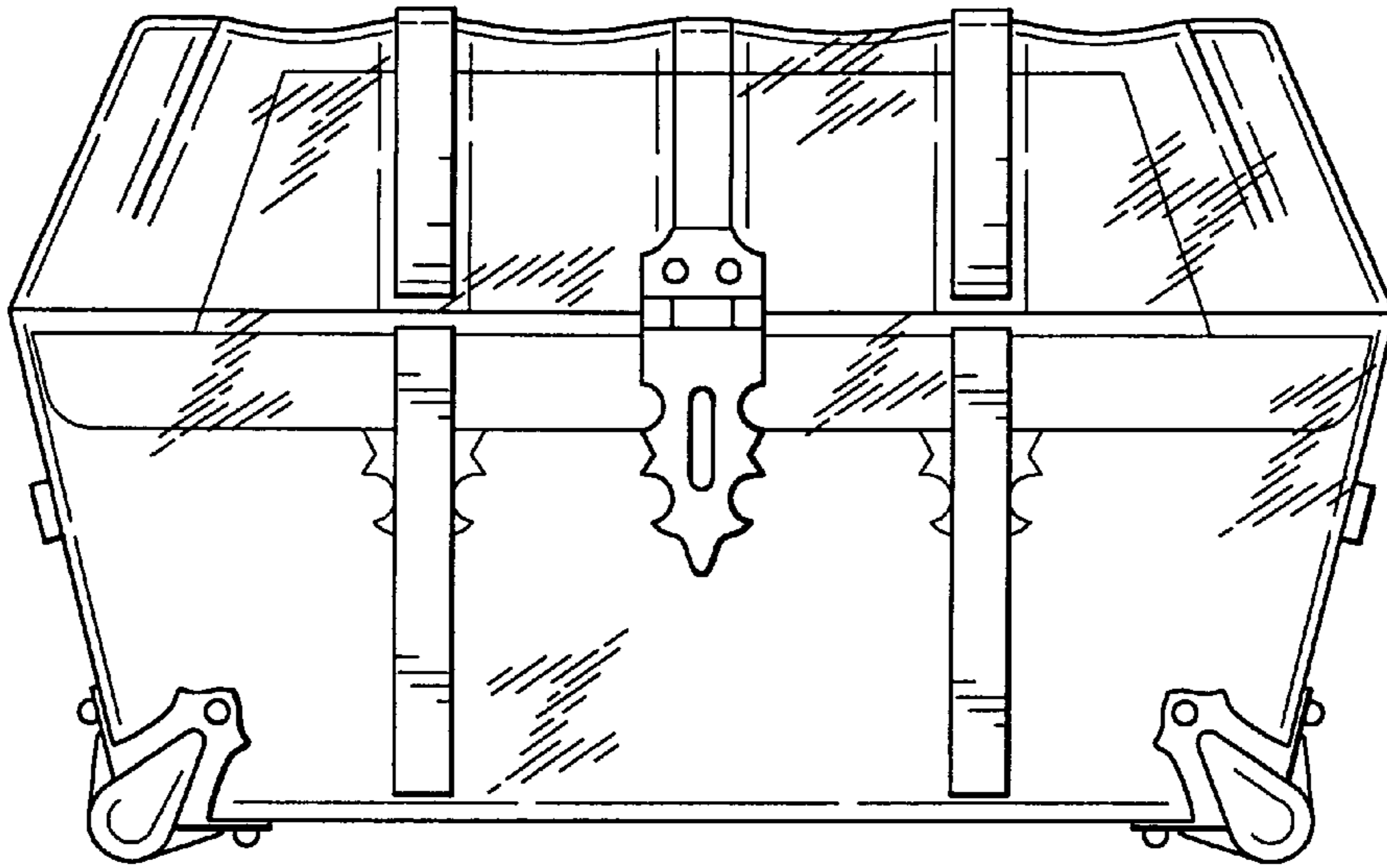


FIG. 4

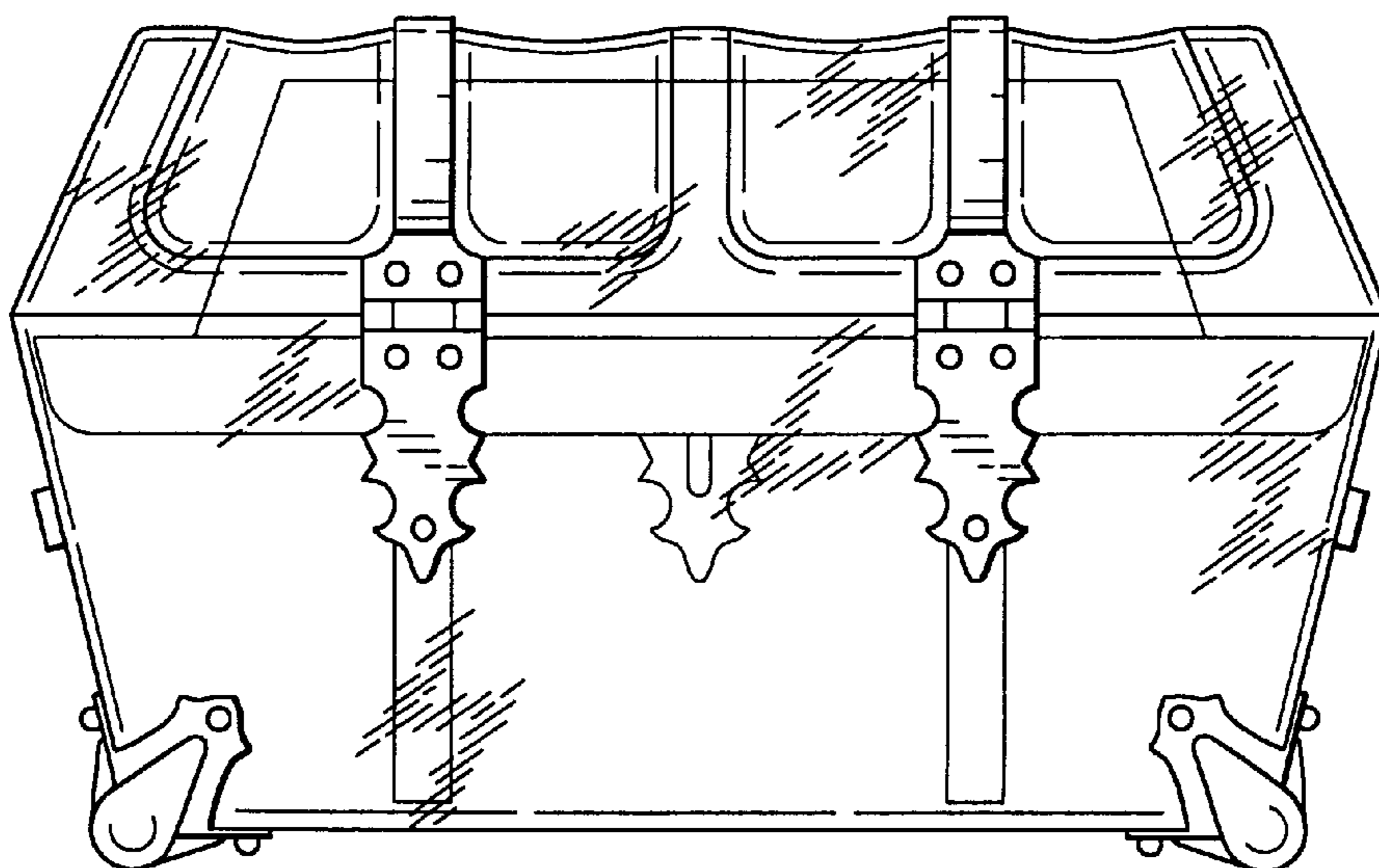


FIG. 5

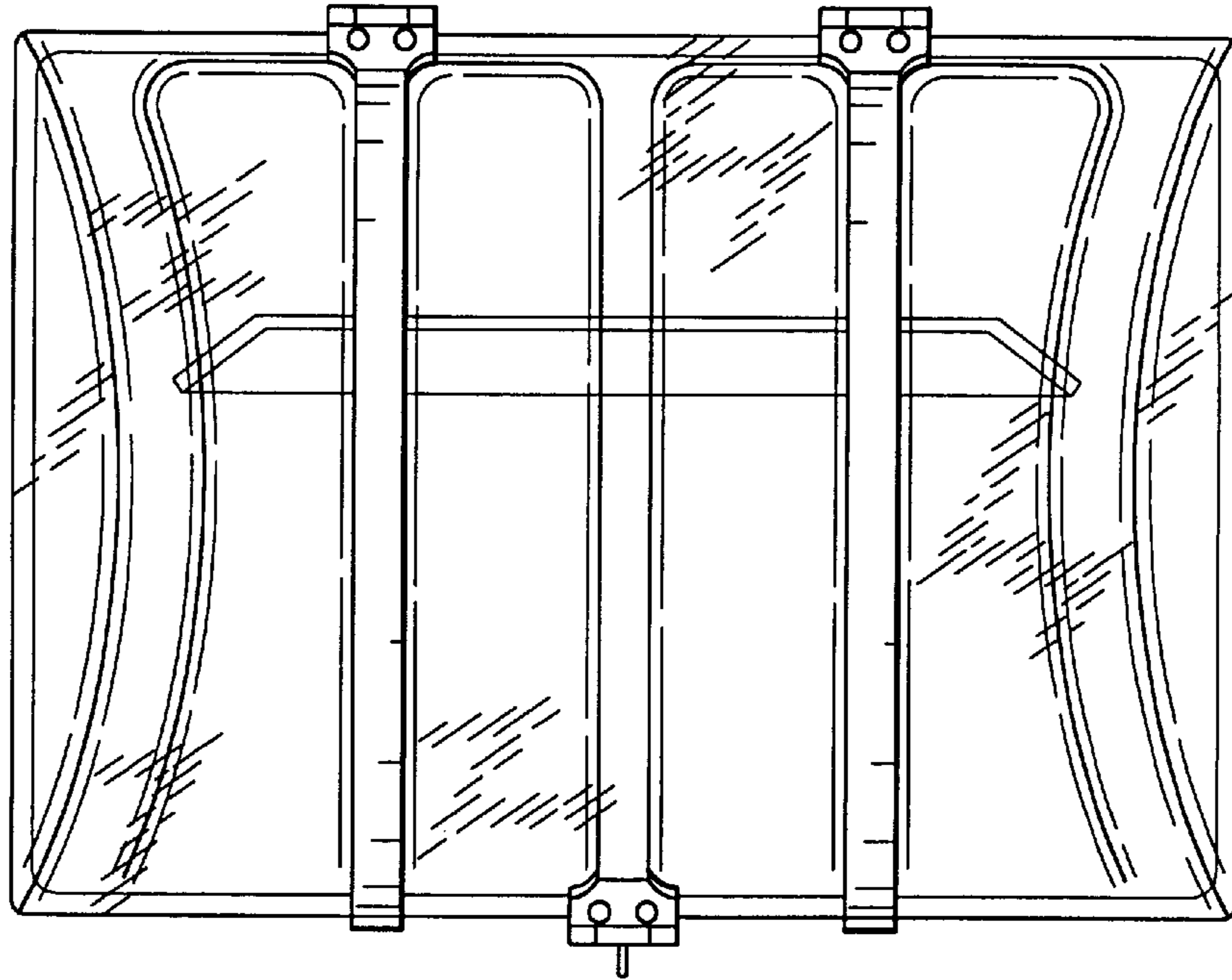


FIG. 1

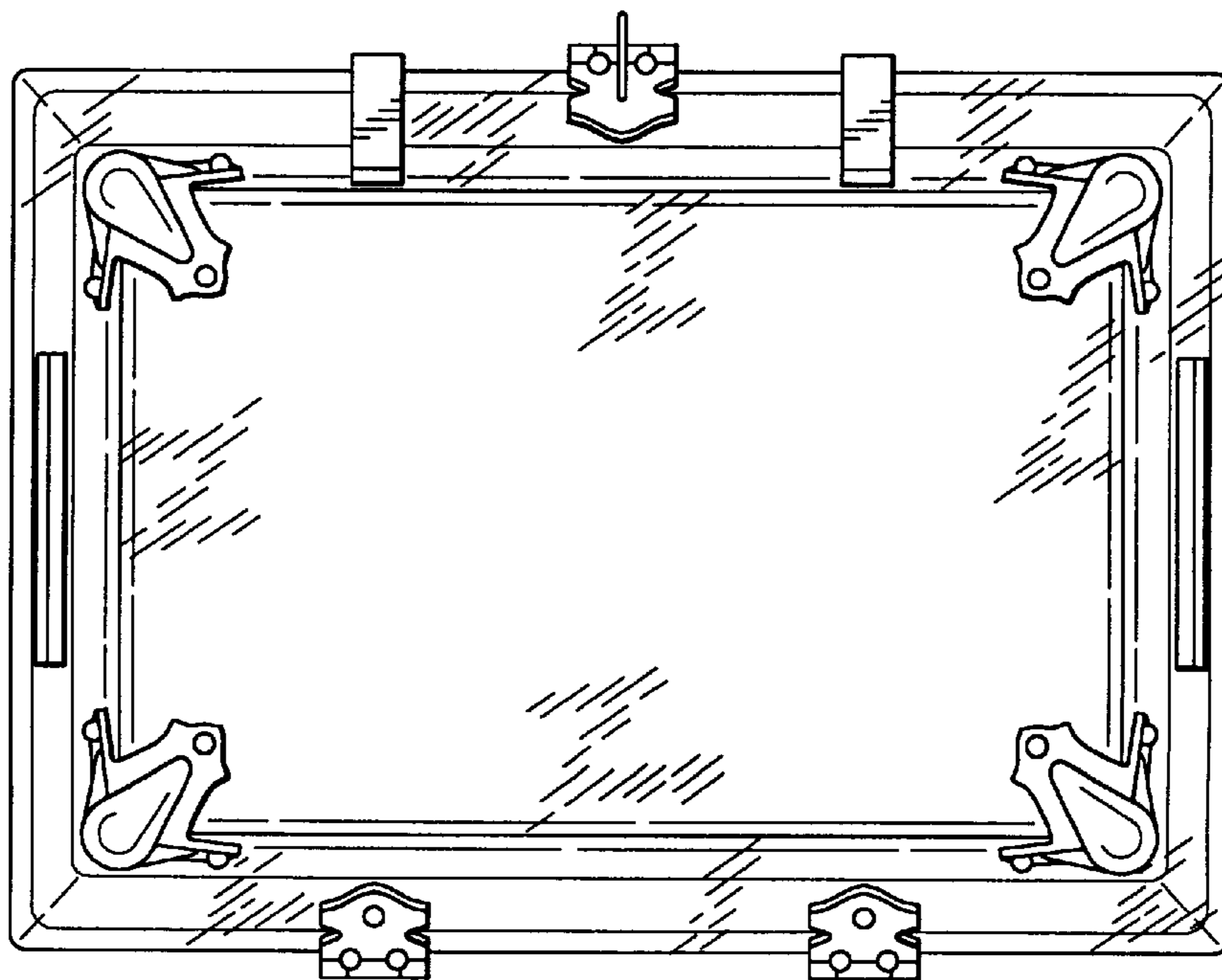


FIG. 2