



US00D439403S

(12) **United States Design Patent**
Cetin

(10) **Patent No.:** **US D439,403 S**

(45) **Date of Patent:** **** Mar. 27, 2001**

(54) **GOLF BAG**

(76) Inventor: **Hasan Cetin**, Hollich 156 a, D-48565
Steinfurt (DE)

(**) Term: **14 Years**

(21) Appl. No.: **29/121,187**

(22) Filed: **Mar. 30, 2000**

(51) **LOC (7) Cl.** **03-01**

(52) **U.S. Cl.** **D3/255**

(58) **Field of Search** D3/255, 254, 259;
206/315.2-315.8; 280/47.26, 645, 646,
651, 13, DIG. 6; 211/70.2; D34/15

(56) **References Cited**

U.S. PATENT DOCUMENTS

D. 357,578	*	4/1995	Brondum et al.	D3/259
2,890,061	*	6/1959	Watson	280/47.26
3,014,732	*	12/1961	Schemenauer	280/646
3,495,641	*	2/1970	Bethel	206/315.2
4,420,024	*	12/1983	Clayton	206/315.4
5,074,576	*	12/1991	Finlay	206/315.6 X

* cited by examiner

Primary Examiner—Louis S. Zarfaz

Assistant Examiner—Catherine R. Oliver

(74) *Attorney, Agent, or Firm*—Milde, Hoffberg &
Macklin, LLP

(57) **CLAIM**

The ornamental design for a golf bag, as shown and described.

DESCRIPTION

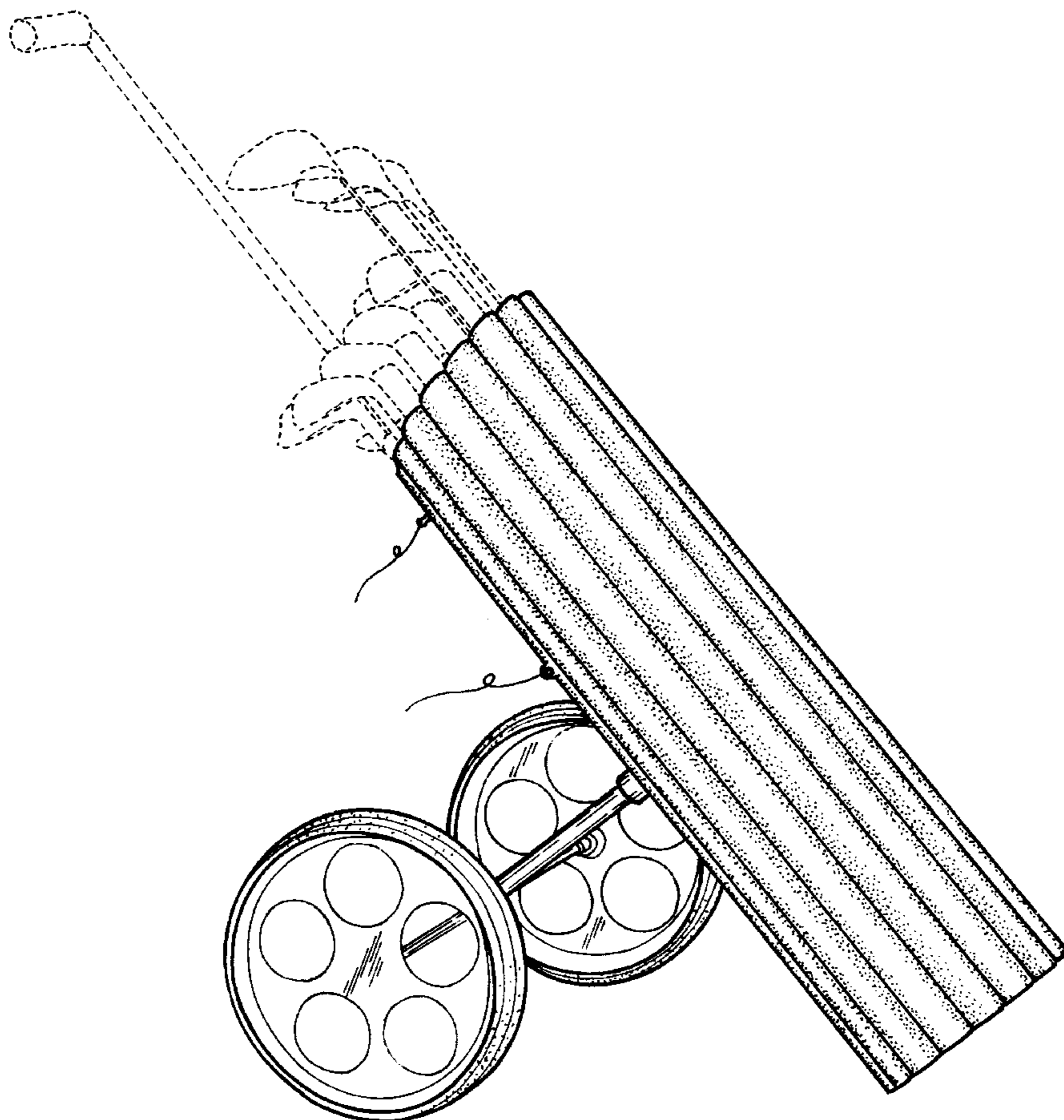
FIG. 1 is a side, perspective view of the golf bag according to my design.

FIG. 2 is a bottom plan view of the golf bag according to my design; and,

FIG. 3 is a front, perspective view of the golf bag according to my design with the front door in the open position.

The broken line showing of environment in the drawings is for illustrative purposes only and forms no part of the claimed design.

1 Claim, 3 Drawing Sheets



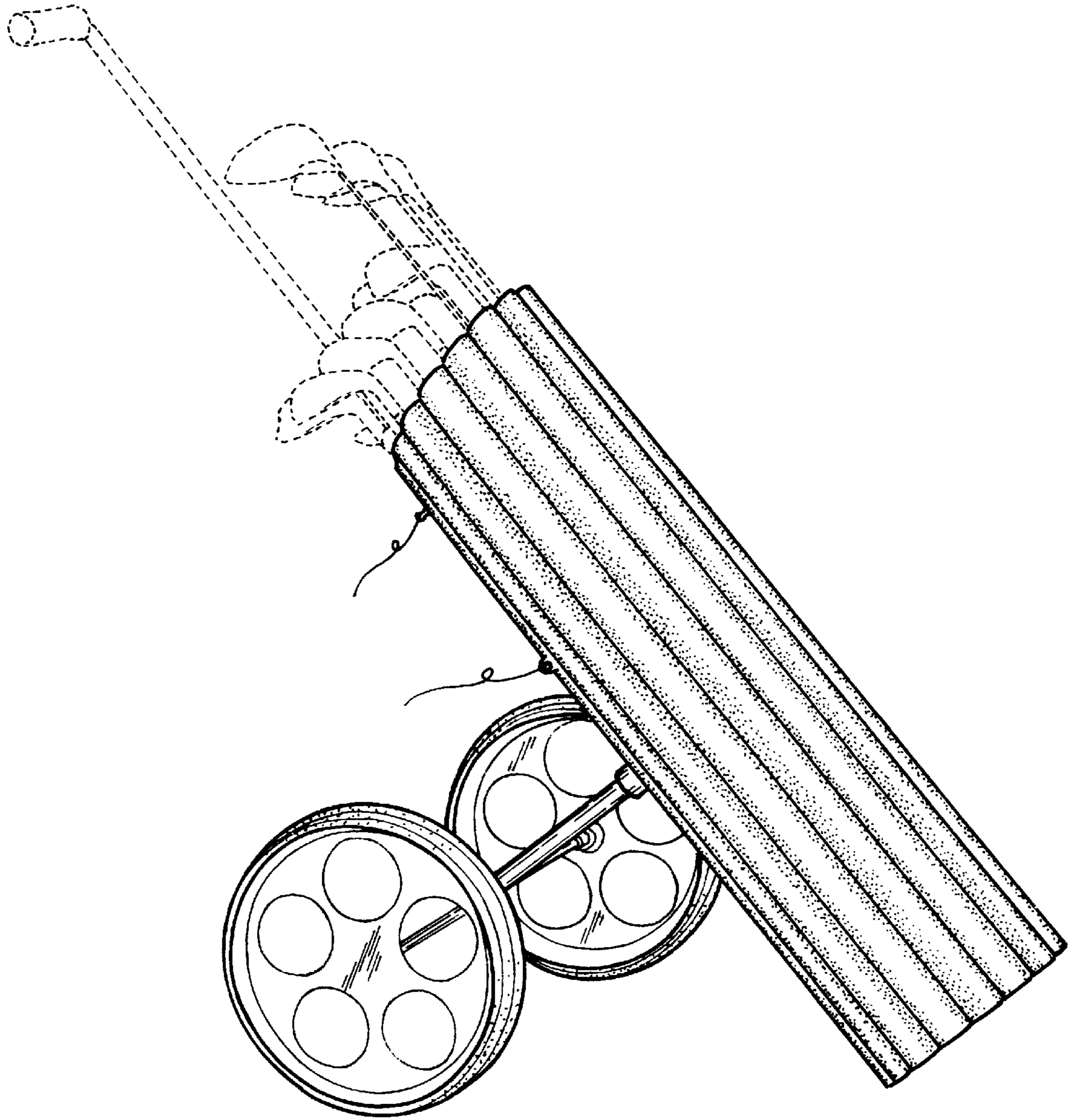


FIG. 1

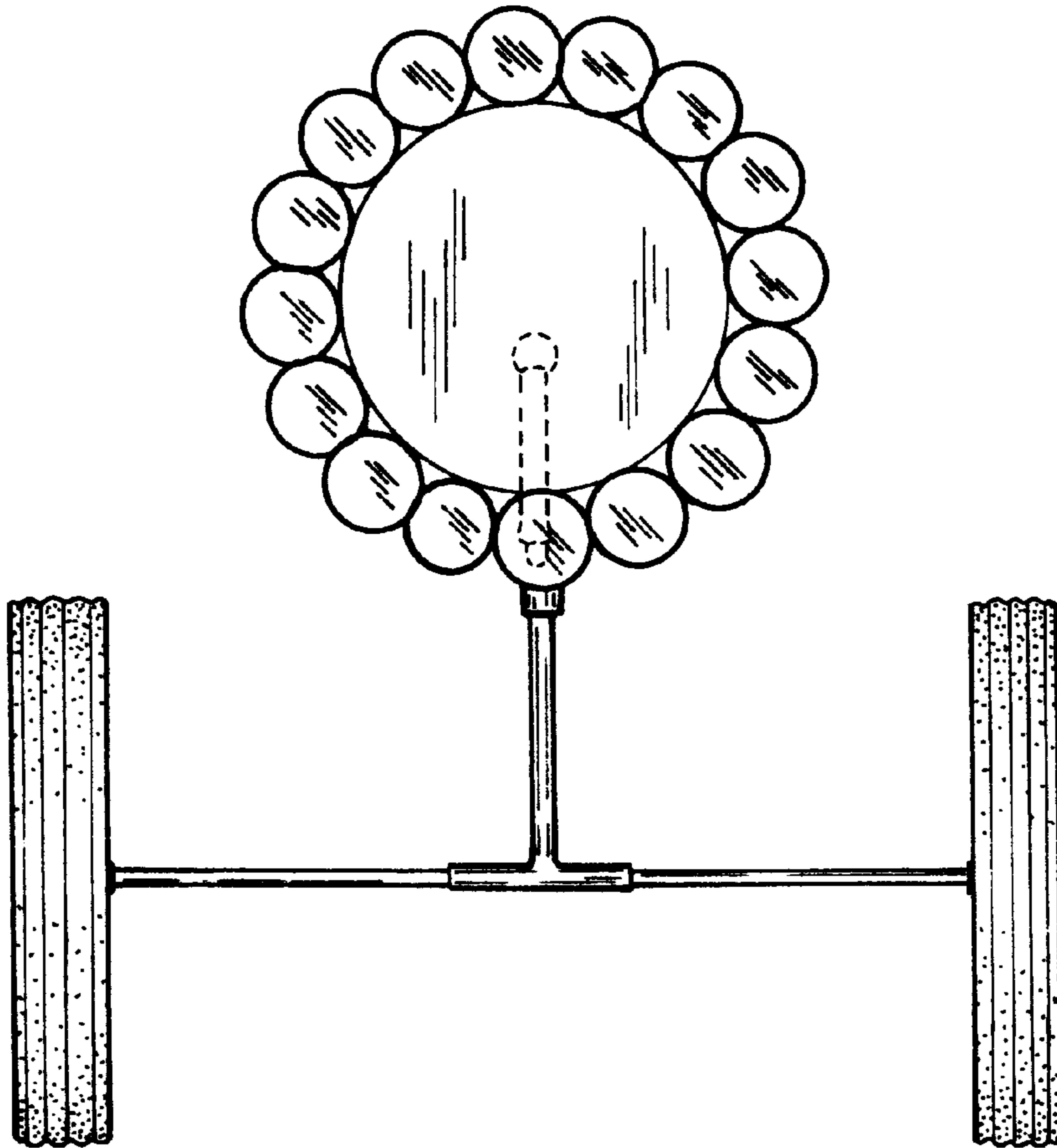


FIG. 2

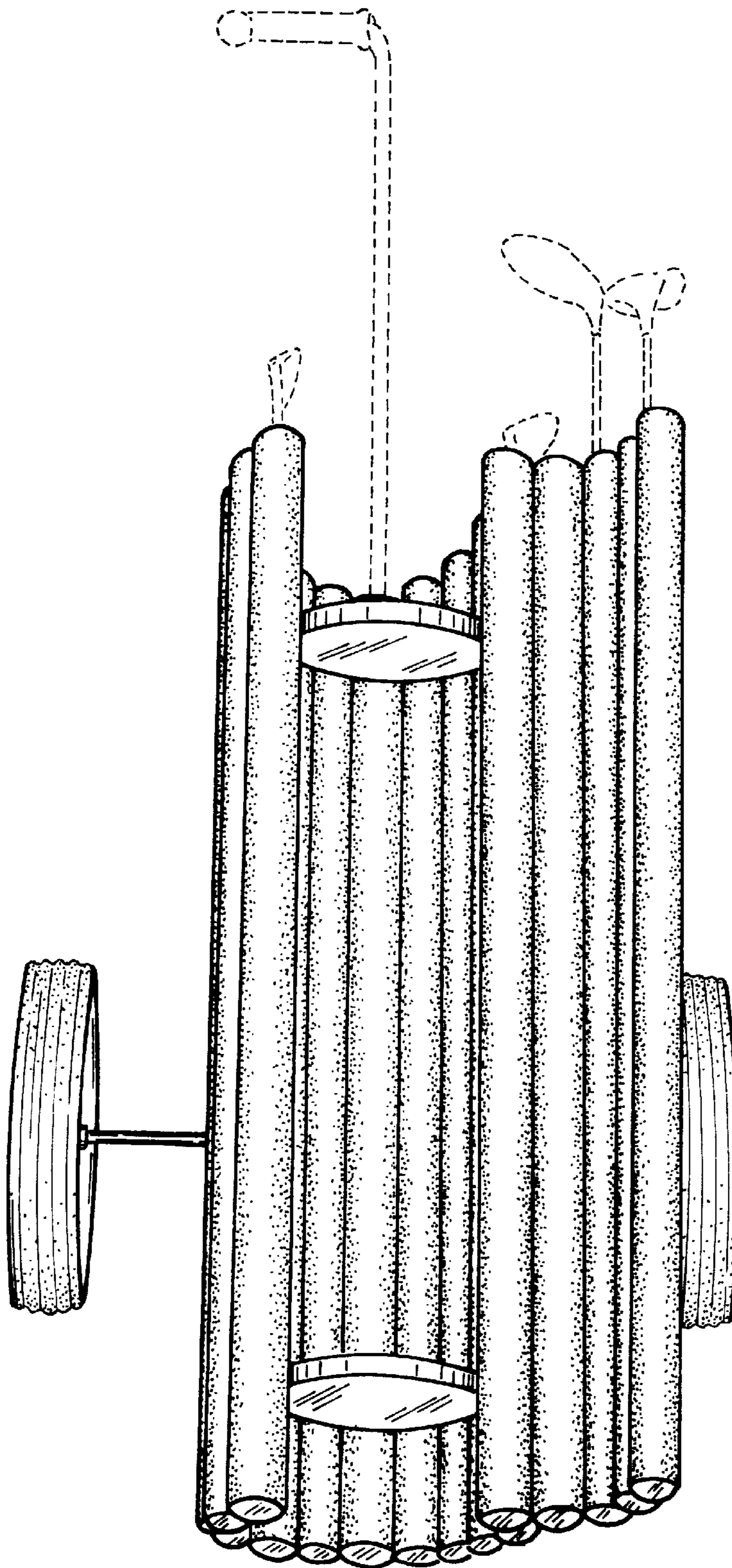


FIG. 3