



US00D439398S

(12) **United States Design Patent**
Dean

(10) **Patent No.:** **US D439,398 S**

(45) **Date of Patent:** **** Mar. 27, 2001**

(54) **SANDAL UPPER**

(75) **Inventor:** **Norman Dean**, Pleasant Valley, NY (US)

(73) **Assignee:** **Footstar Corporation**, Mahwah, NJ (US)

(**) **Term:** **14 Years**

(21) **Appl. No.:** **29/114,665**

(22) **Filed:** **Nov. 29, 1999**

(51) **LOC (7) Cl.** **02-04**

(52) **U.S. Cl.** **D2/969; D2/916**

(58) **Field of Search** D2/896, 897, 900,
D2/905, 916-931, 935, 948-960, 969-973,
978; 36/84, 7.5, 9 A, 10, 45, 47, 11.5, 19.5,
169, 166

(56) **References Cited**

U.S. PATENT DOCUMENTS

- D. 142,432 * 9/1945 Lissak et al. D2/918
- D. 149,759 * 5/1948 Kasket et al. D2/918
- 2,707,340 * 5/1955 Scala 36/19.5

OTHER PUBLICATIONS

- Footwear News, (Men's), p. 26, sandal at bottom of sheet, Jun. 1982.*
- Women's Sandal Ecco Twist T Strap Nubuck #59123-204.
- Women's Sandal Dr. Martens DM Velcro Side Sandal with Dune Sole #858554015.
- Women's Sandal Timberland Tara Fisherman Dressy Casual Sandal #4303.

Women's Sandal Teva Sandals Weaver/Fisherman #1427 BRN.

Women's Sandal Timberland Fisherman Sandal #80302.

Women's Sandal Ecco Choice T Strap Nubuck #65243-222.

Women's Sandal Dr. Martens DM Velcro Side Sandal with Dune Sole #858554590.

Women's Sandal Teva Sandals Chocolate Nubuck #6315 CHOC.

Women's Sandal Bos & Co Zoe Gladiator with suede insole, brown #ZOE BRN.

Women's Sandal Bos & Co Velvet, semi dress sandal, white #Velvet WH.

* cited by examiner

Primary Examiner—Louis S. Zarfes

Assistant Examiner—Greg Andoll

(74) *Attorney, Agent, or Firm*—Seyfarth Shaw

(57) **CLAIM**

The ornamental design for the sandal upper, as shown and described.

DESCRIPTION

FIG. 1 is a perspective view of a sandal upper showing my new design;

FIG. 2 is a top plan view thereof;

FIG. 3 is a side elevation view of one side thereof;

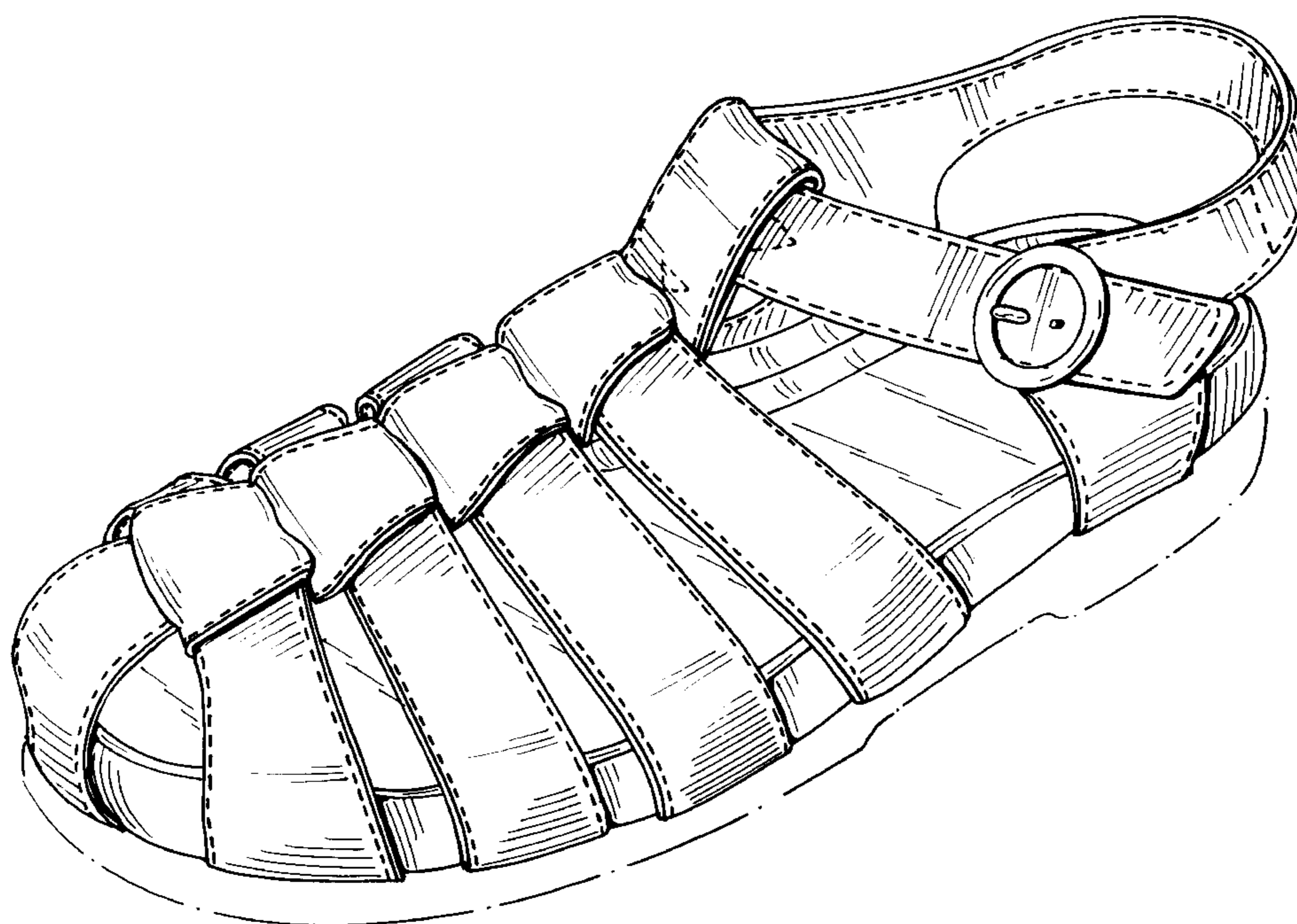
FIG. 4 is a side elevation view of the other side thereof;

FIG. 5 is a front elevation view thereof; and,

FIG. 6 is a rear elevation view thereof.

The broken line showing of the shoe sole in the figures is for illustrative purposes only and forms no part of the claimed design.

1 Claim, 3 Drawing Sheets



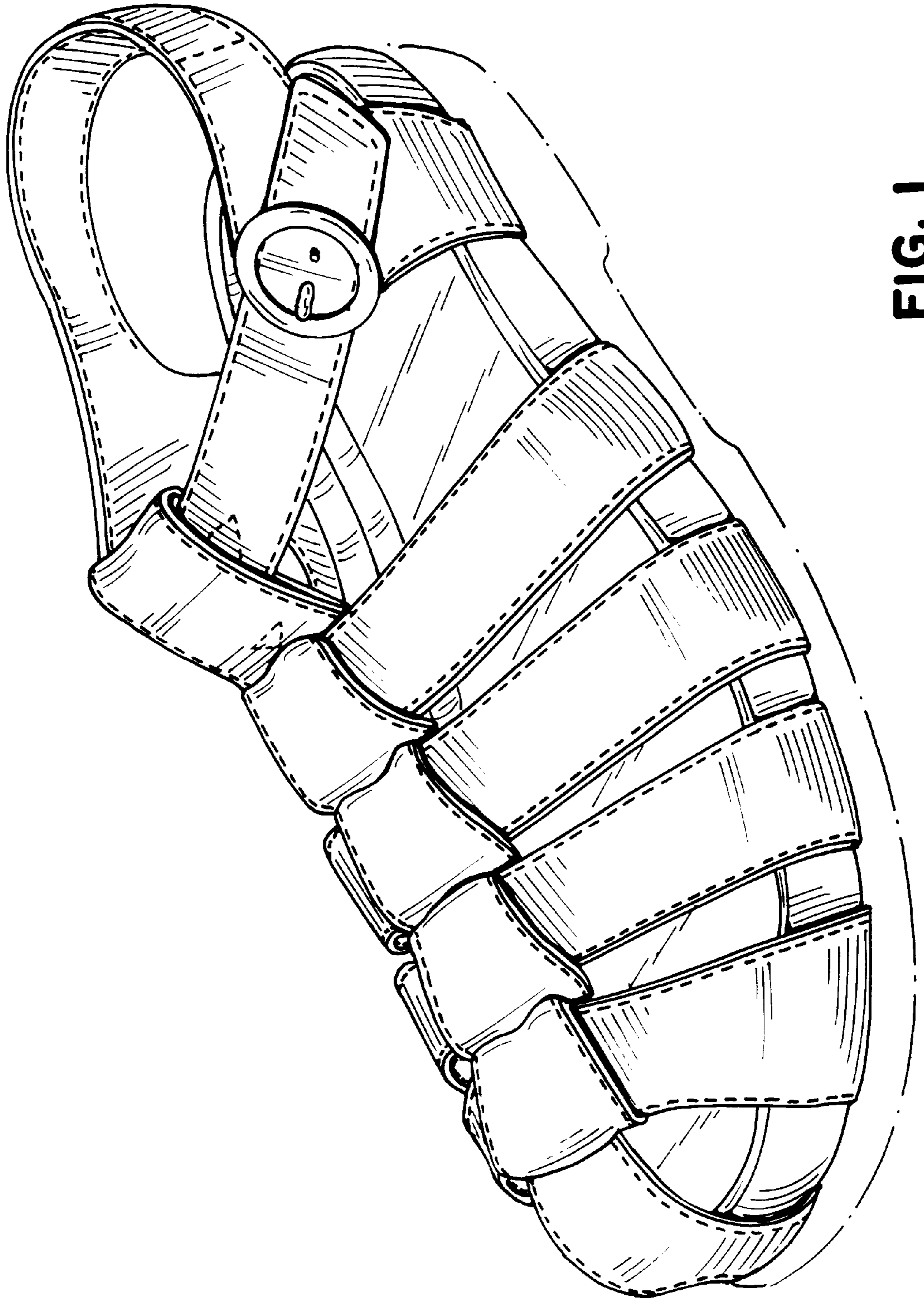


FIG. 1

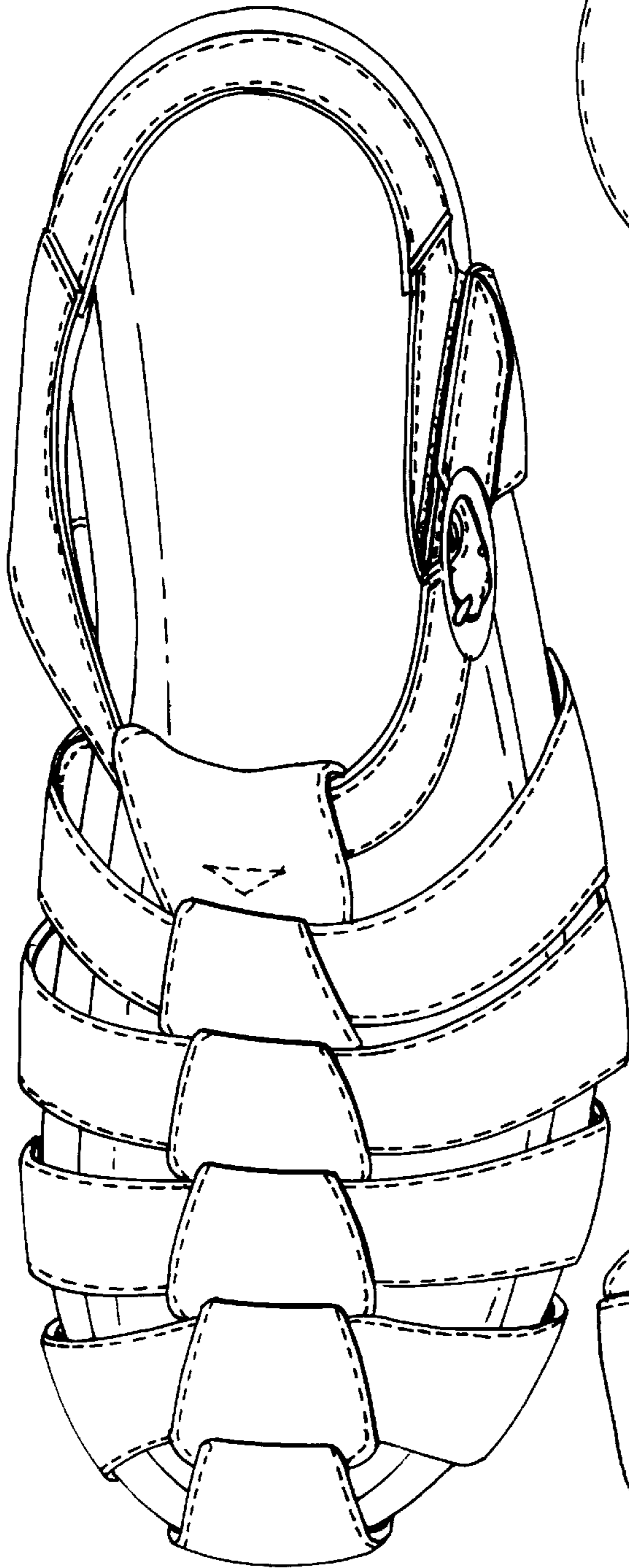


FIG. 2

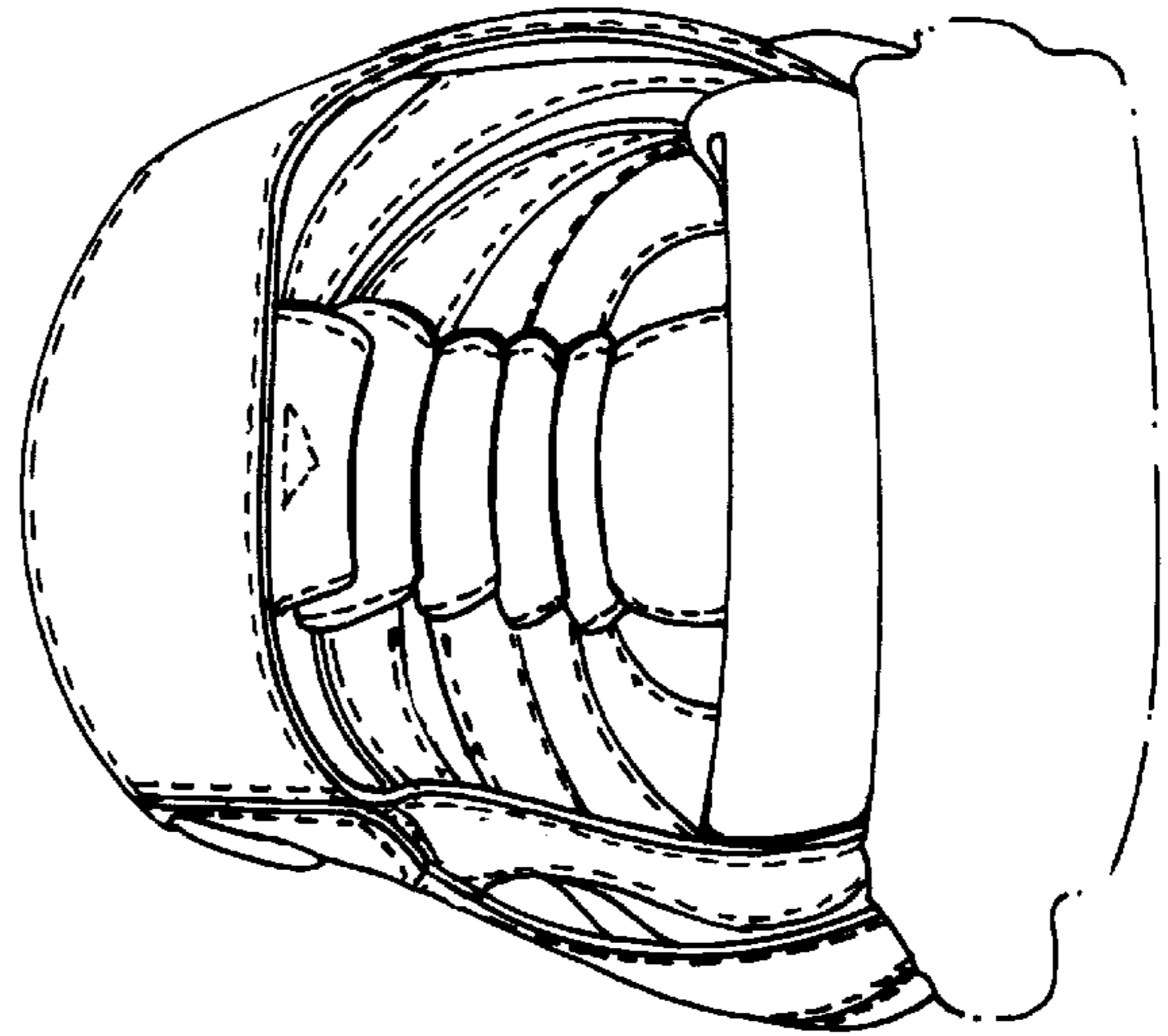


FIG. 6

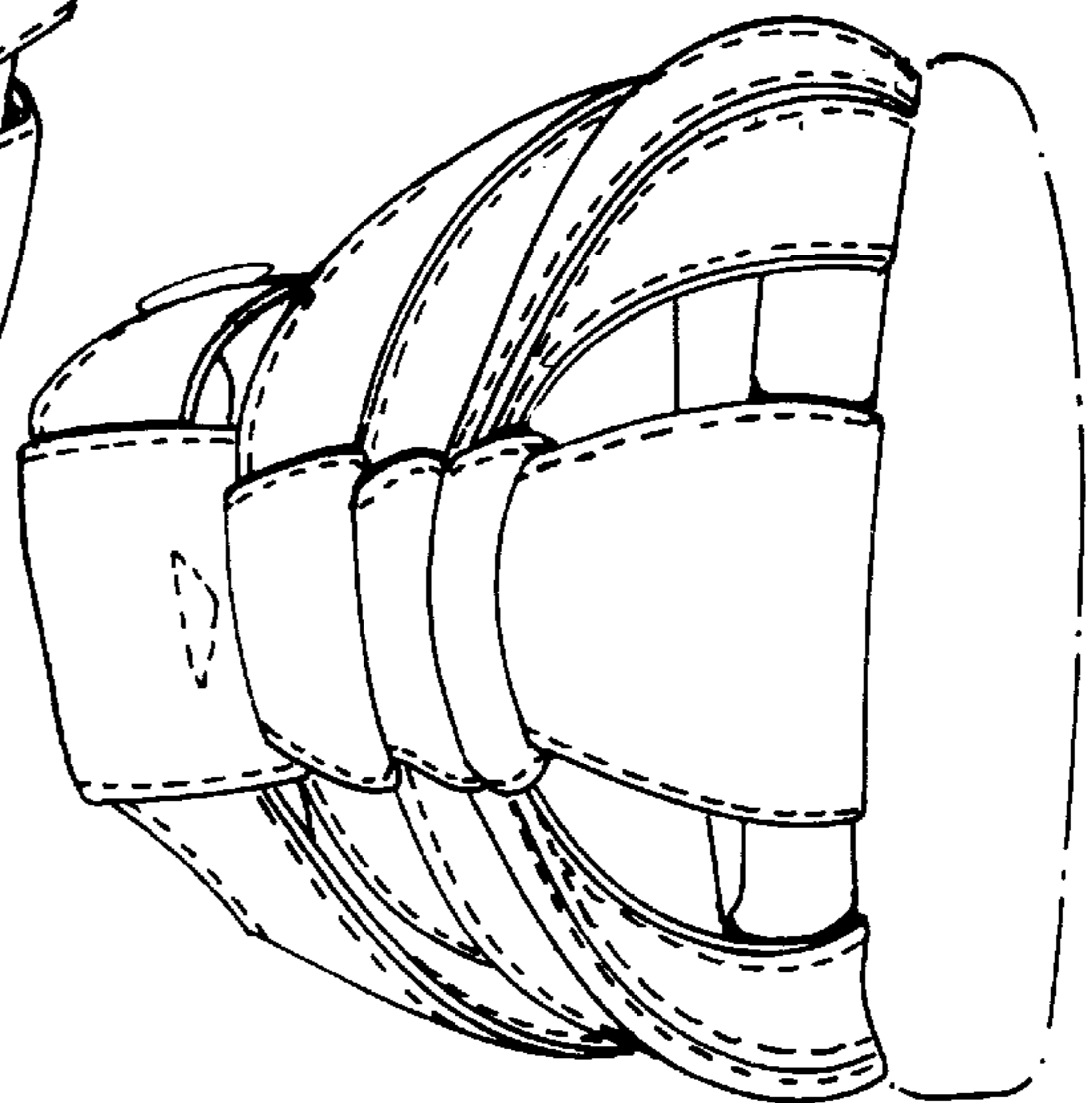


FIG. 5

FIG. 3

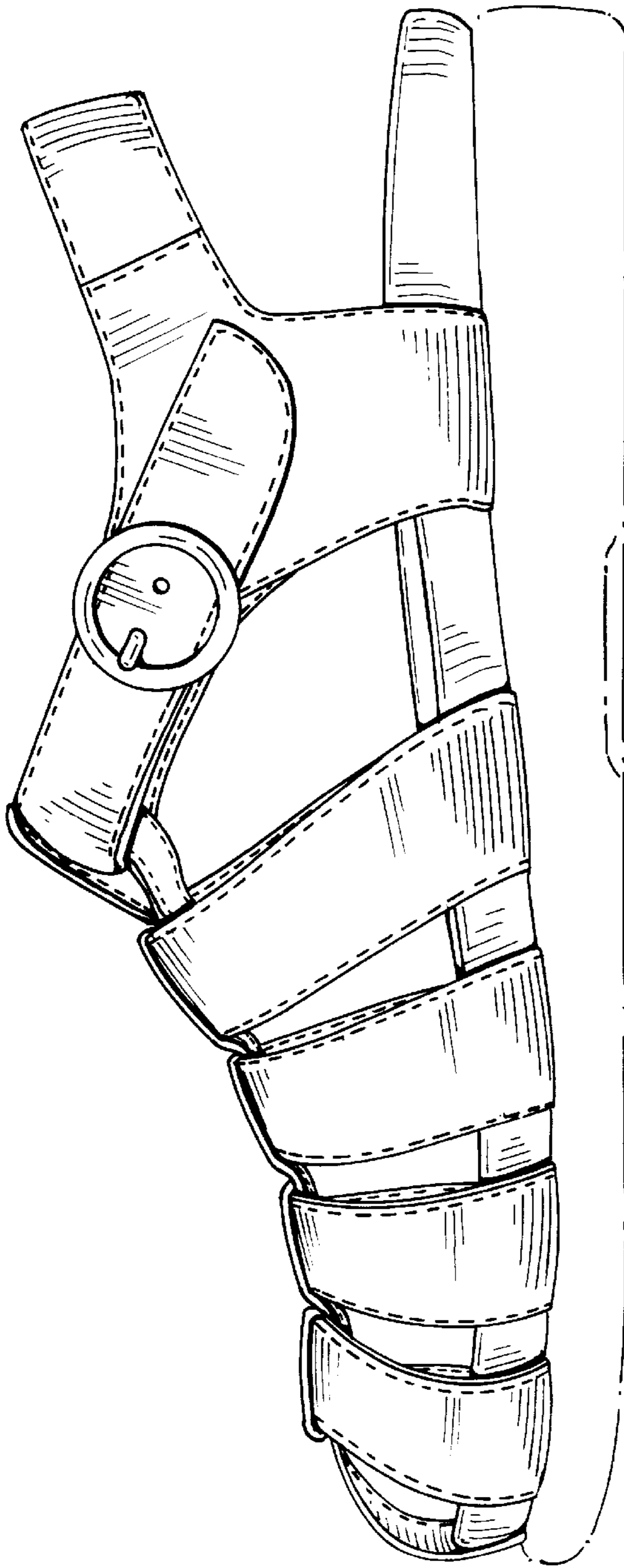


FIG. 4

