



US00D439393S

(12) **United States Design Patent**
White

(10) **Patent No.:** **US D439,393 S**

(45) **Date of Patent:** **** Mar. 27, 2001**

(54) **PORTION OF A FOOTWEAR SOLE**

(75) **Inventor:** **Ian White**, Leicester (GB)

(73) **Assignee:** **R. Griggs Group Limited** (GB)

(**) **Term:** **14 Years**

(21) **Appl. No.:** **29/123,134**

(22) **Filed:** **May 11, 2000**

(30) **Foreign Application Priority Data**

Dec. 23, 1999 (GB) 2089092

(51) **LOC (7) Cl.** **02-04**

(52) **U.S. Cl.** **D2/947; D2/952; D2/954**

(58) **Field of Search** D2/902, 909, 911,
D2/914, 916, 920, 946-948, 951-962, 964,
972, 977; 36/22 R, 24.5, 25 A, 25 R, 28,
29, 32 R, 43, 59 C, 59 R, 91, 102, 103,
116, 129

(56) **References Cited**

U.S. PATENT DOCUMENTS

- D. 299,887 2/1989 Diaz .
- D. 317,974 * 7/1991 Austin D2/957
- D. 343,272 1/1994 James .
- D. 363,815 11/1995 Lucarelli .
- D. 366,754 * 2/1996 Valverde D2/954
- D. 369,234 4/1996 Fabio .
- D. 378,241 3/1997 Featherston et al. .
- D. 382,692 8/1997 Carlson .
- D. 390,348 2/1998 Meyer et al. .
- D. 409,362 5/1999 Turner et al. .
- D. 411,243 6/1999 Lozano .

- D. 412,612 * 8/1999 Boyer D2/902
- D. 413,712 9/1999 Doxey .
- D. 421,832 * 3/2000 Loveder D2/957
- D. 422,128 * 4/2000 Adler D2/907
- D. 423,200 * 4/2000 Schambra D2/953
- D. 430,389 * 9/2000 Del Biondi D2/960
- 1,351,291 * 8/1920 Hornquist 36/32 R
- 1,653,059 12/1927 Nelson .
- 2,627,676 2/1953 Hack .
- 4,150,499 * 4/1979 Wang 36/115
- 4,328,627 * 5/1982 Sanders 36/115

OTHER PUBLICATIONS

Mephisto, Sabatina Sandalback 6051, Shoe Sole, Rockville, MD Retail Store, available before Dec. 23, 1999.

Mephisto, Elka Sandalback 6042, Shoe Sole, Rockville, MD Retail Store, available before Dec. 23, 1999.

* cited by examiner

Primary Examiner—Celia Murphy

(74) *Attorney, Agent, or Firm*—Saidman DesignLaw Group

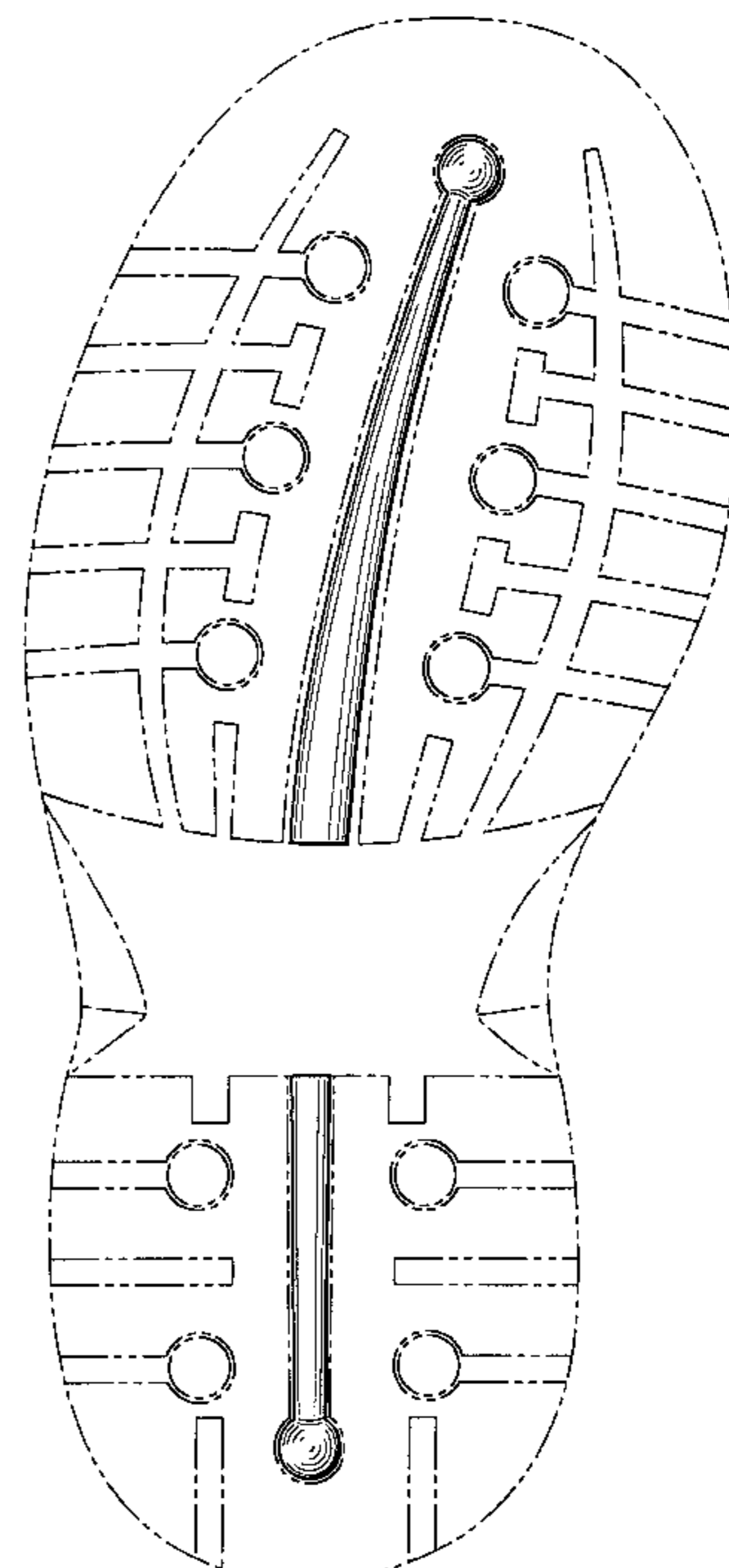
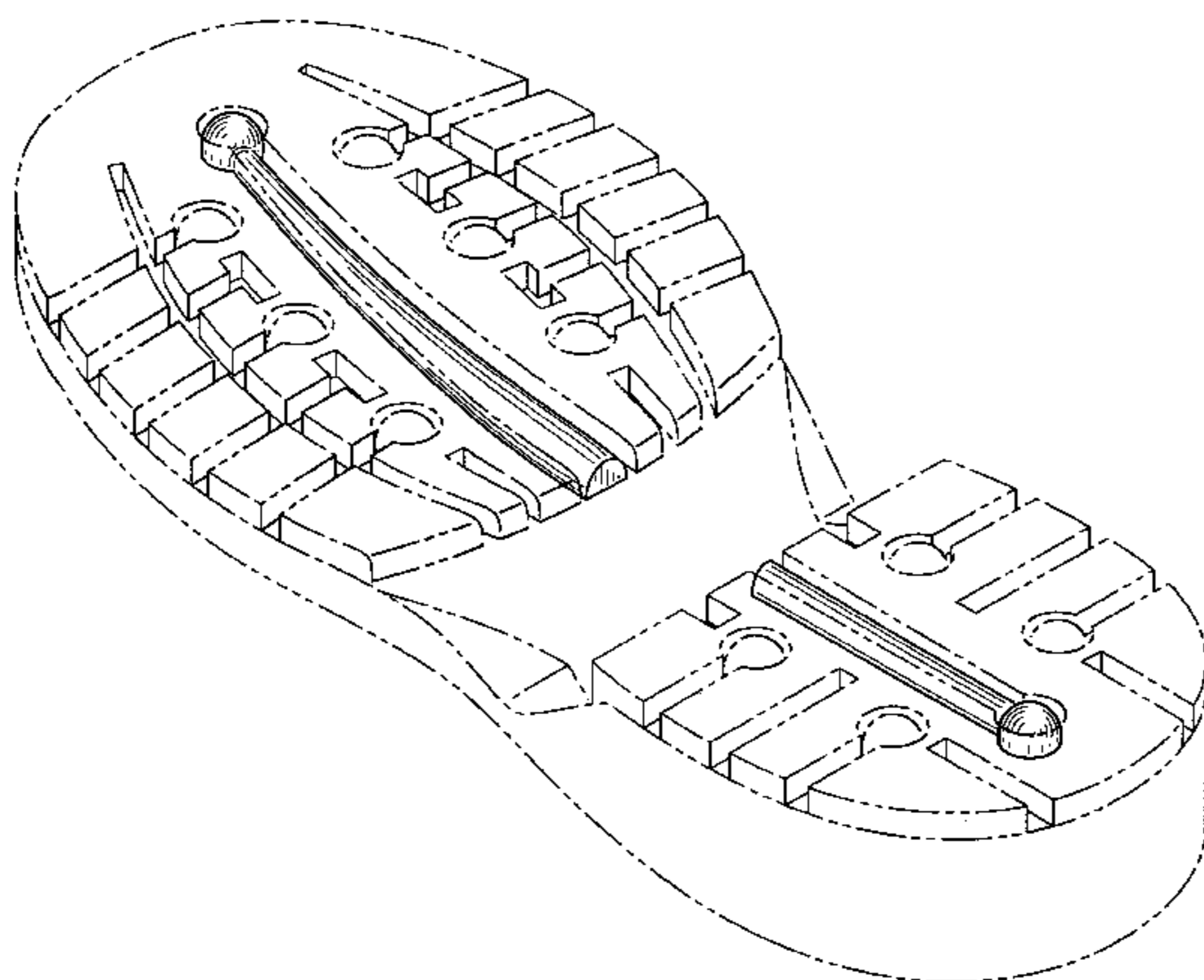
(57) **CLAIM**

The ornamental design for a portion of a footwear sole, as shown and described.

DESCRIPTION

FIG. 1 is a perspective view of a portion of a footwear sole showing my new design; and, FIG. 2 is a bottom plan view thereof. The broken lines in FIGS. 1-2 are for disclosure purposes only and do not form part of the claimed design. The top, left side, right side, front and rear views do not form part of the claimed design.

1 Claim, 2 Drawing Sheets



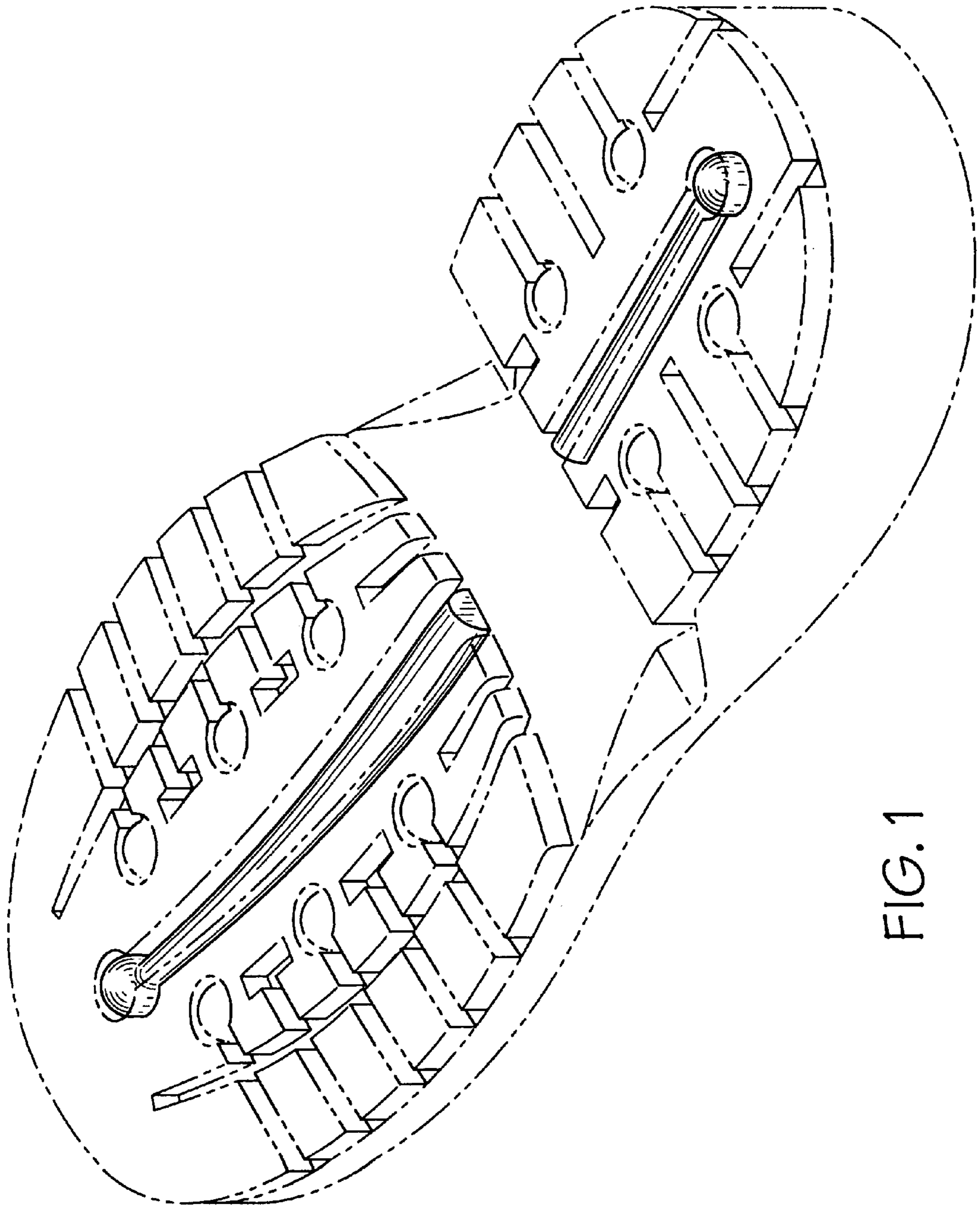


FIG. 1

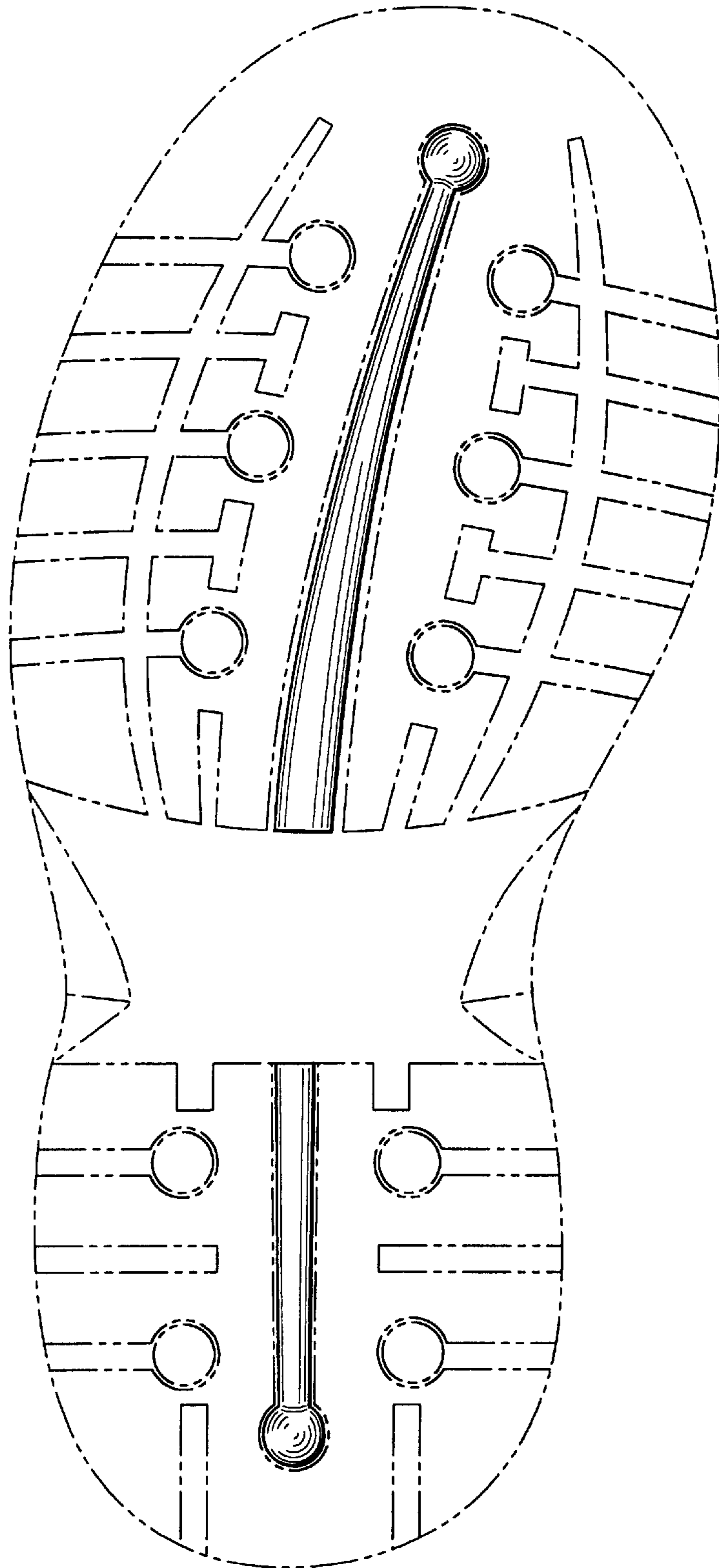


FIG. 2