



US00D439390S

(12) **United States Design Patent**
Nottingham et al.

(10) **Patent No.:** **US D439,390 S**

(45) **Date of Patent:** **** Mar. 20, 2001**

(54) **PORTABLE CASH BOX**

5,163,560 * 11/1992 Parrish, Jr. 206/576

(75) Inventors: **John R. Nottingham**, Hunting Valley;
John W. Spirk, Gates Mills; **Patrick W. Brown**, Mantua; **William J. Knox, Jr.**, Painesville, all of OH (US)

(73) Assignee: **Mag-Nif Incorporated**, Mentor, OH (US)

(**) Term: **14 Years**

(21) Appl. No.: **29/118,641**

(22) Filed: **Feb. 11, 2000**

(51) **LOC (7) Cl.** **99-00**

(52) **U.S. Cl.** **D99/34; D99/28**

(58) **Field of Search** D99/28, 34, 35,
D99/43; D3/282, 283, 284, 286, 268, 288,
294; 206/420, 423, 424, 426, 444, 425;
70/63; 220/315, 319; 109/50, 53

(56) **References Cited**

U.S. PATENT DOCUMENTS

- D. 233,179 * 10/1974 Rochestor D3/268
- D. 260,456 * 9/1981 Davies et al. D3/282 X
- D. 330,384 10/1992 Knox .
- D. 361,384 * 8/1995 Facer et al. D99/28
- D. 375,608 * 11/1996 Berry D99/28
- D. 386,307 * 11/1997 Naas et al. D3/294
- D. 393,526 * 4/1998 Robey et al. D99/28
- D. 426,705 * 6/2000 Fang D3/282
- D. 428,699 * 8/2000 Gibson et al. D3/282

OTHER PUBLICATIONS

“Mag-Nif Makes it in the U.S.A.!” Brochure, 1998.

* cited by examiner

Primary Examiner—Paula A. Mortimer

(74) *Attorney, Agent, or Firm*—Fay, Sharpe, Fagan, Minnich & McKee, LLP

(57) **CLAIM**

The ornamental design for a portable cash box, as shown and described.

DESCRIPTION

FIG. 1 is a perspective view of a portable cash box showing our new design;

FIG. 2 is a front elevational view thereof;

FIG. 3 is a left side elevational view thereof;

FIG. 4 is a top plan view thereof;

FIG. 5 is a rear elevational view thereof;

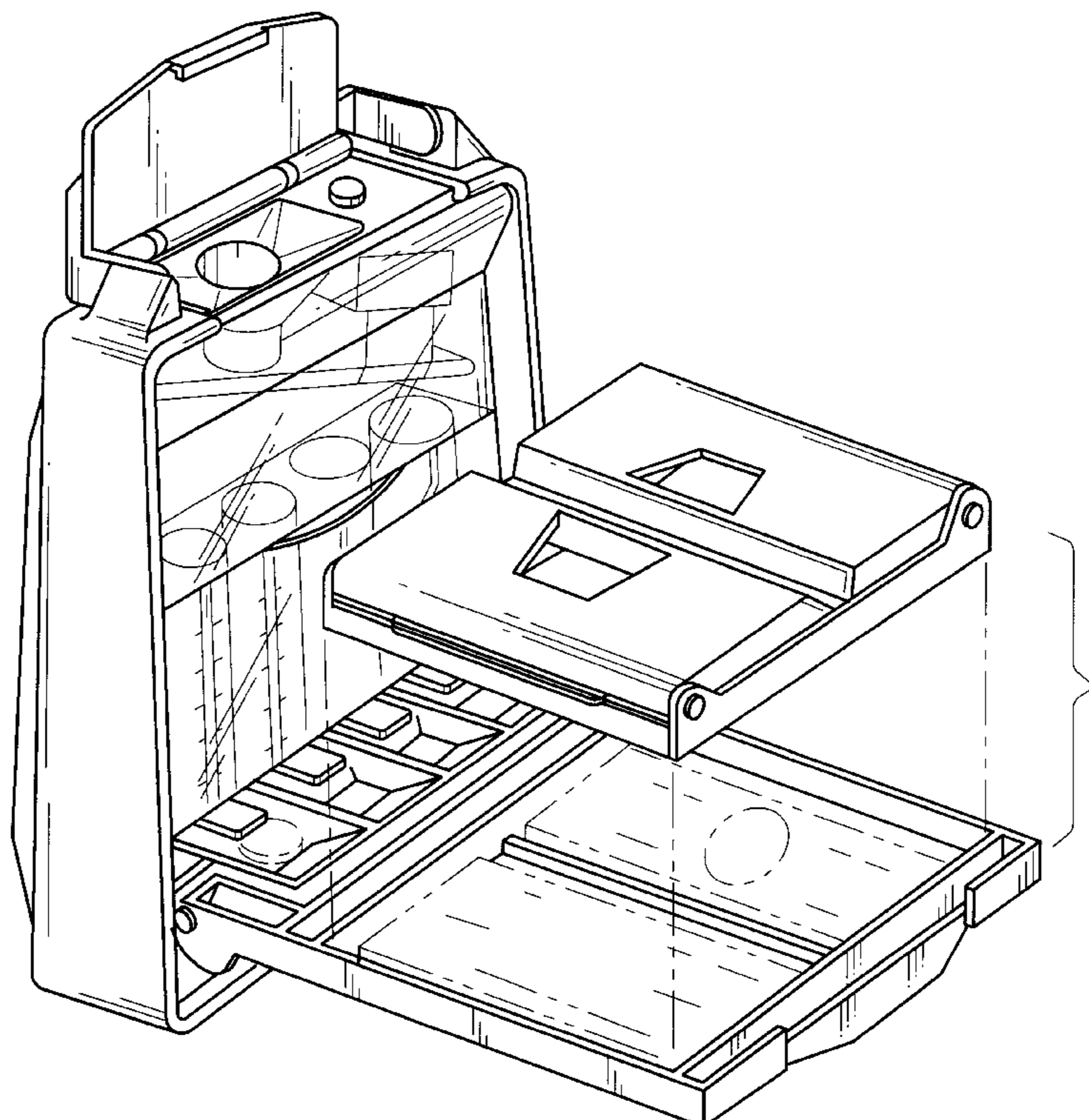
FIG. 6 is a bottom plan view thereof;

FIG. 7 is a perspective view thereof with a lid and a front wall of the cash box being shown in an open position; and,

FIG. 8 is a perspective view thereof with a currency tray being lifted away from the lid thereof.

The handle shown in FIGS. 1-5, 7 and 8 forms no part of the claimed design. The coinage and currency illustrated in FIGS. 7 and 8 merely shows the usage of the portable cash box of the present invention and forms no part of the claimed design.

1 Claim, 5 Drawing Sheets



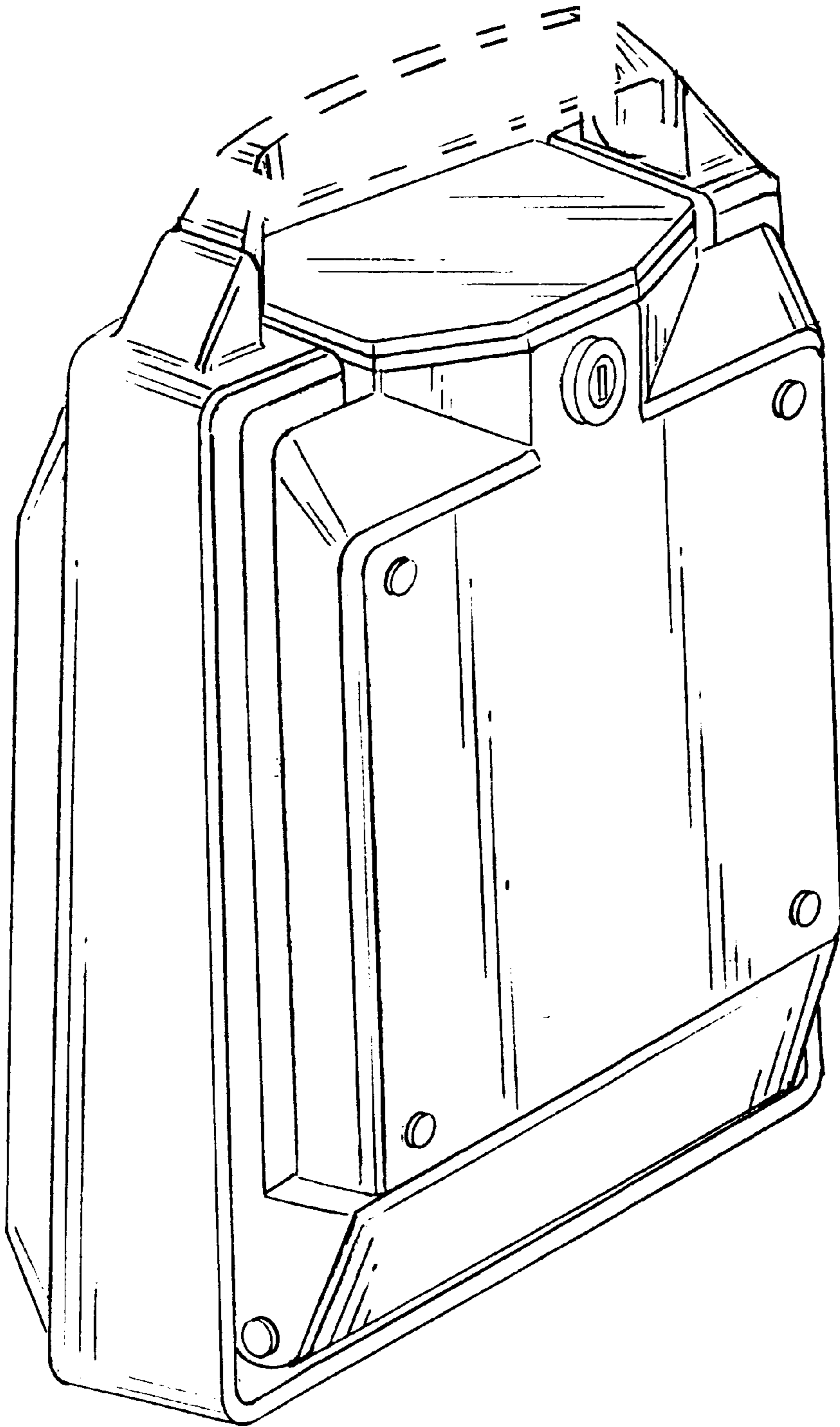


FIG. 1

FIG.4

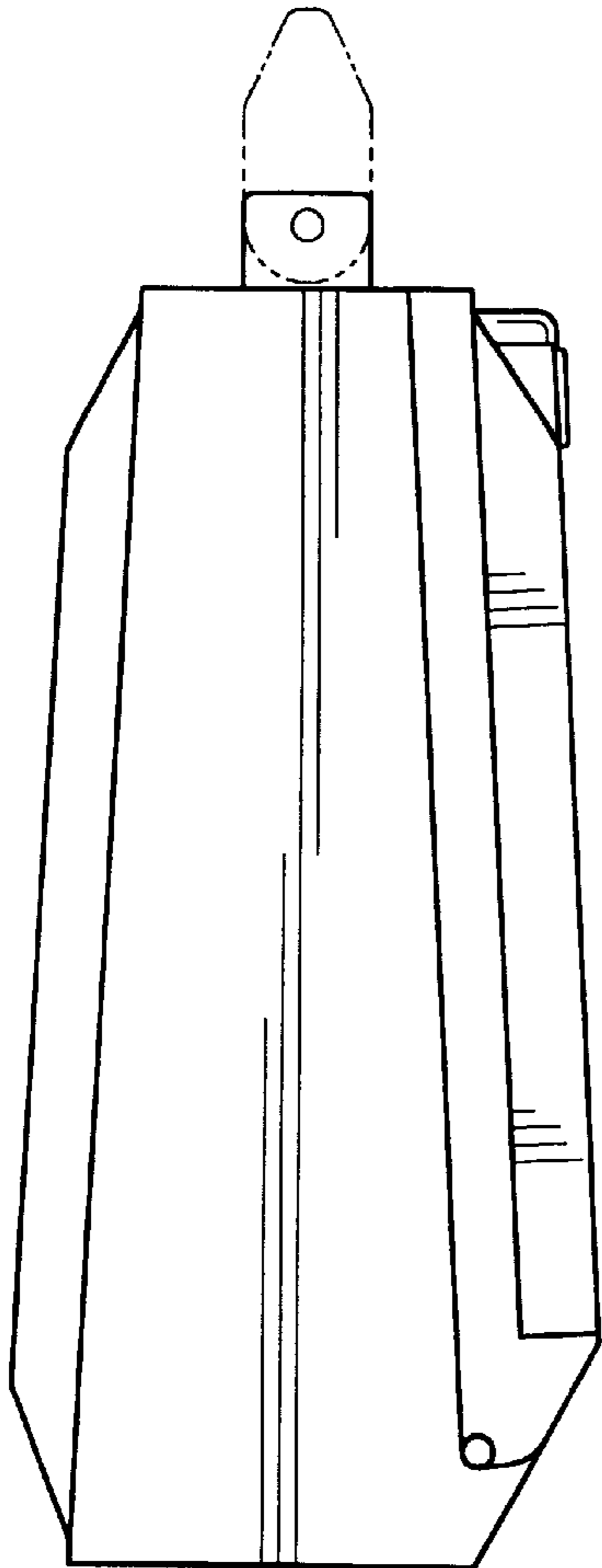
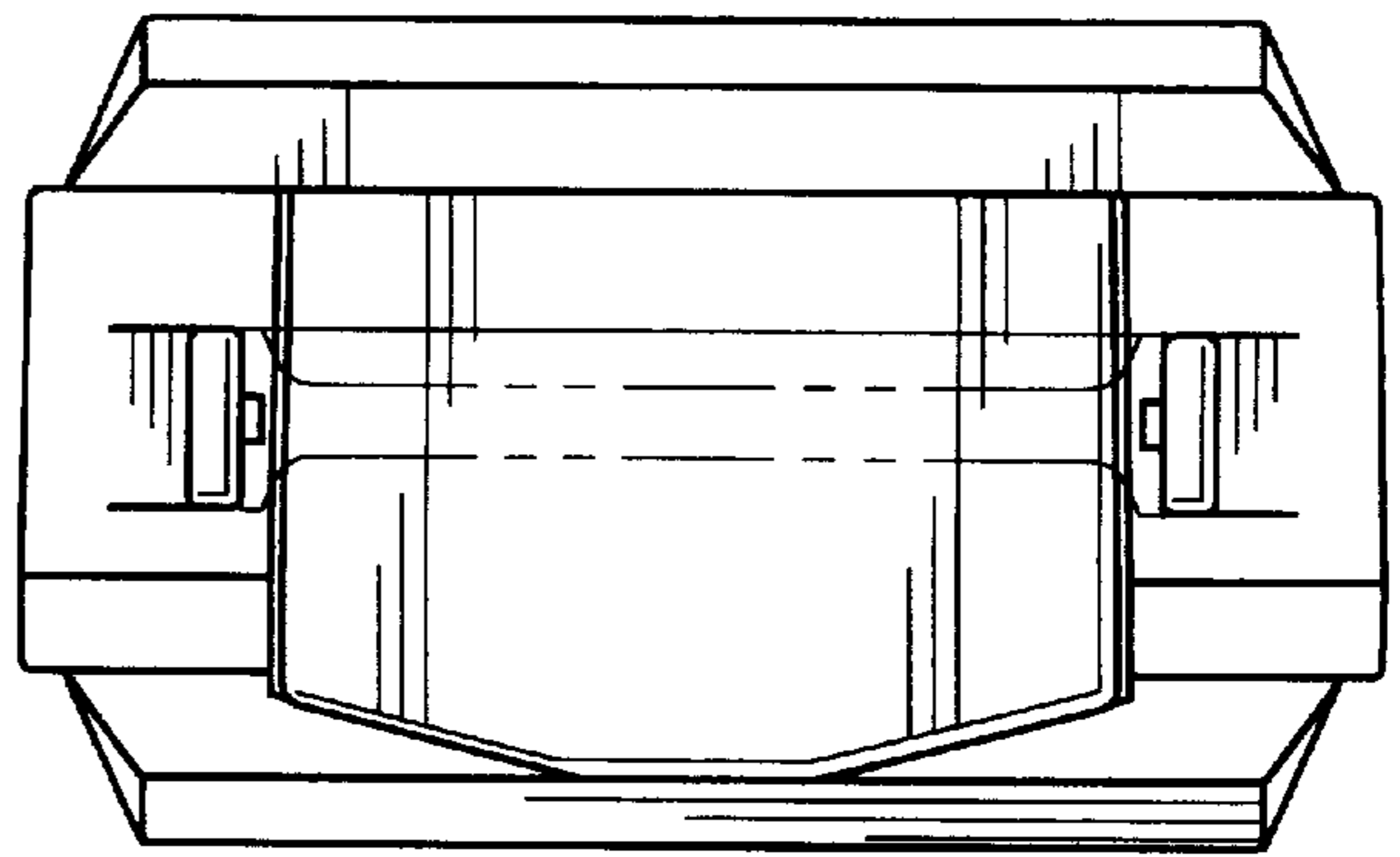


FIG.3

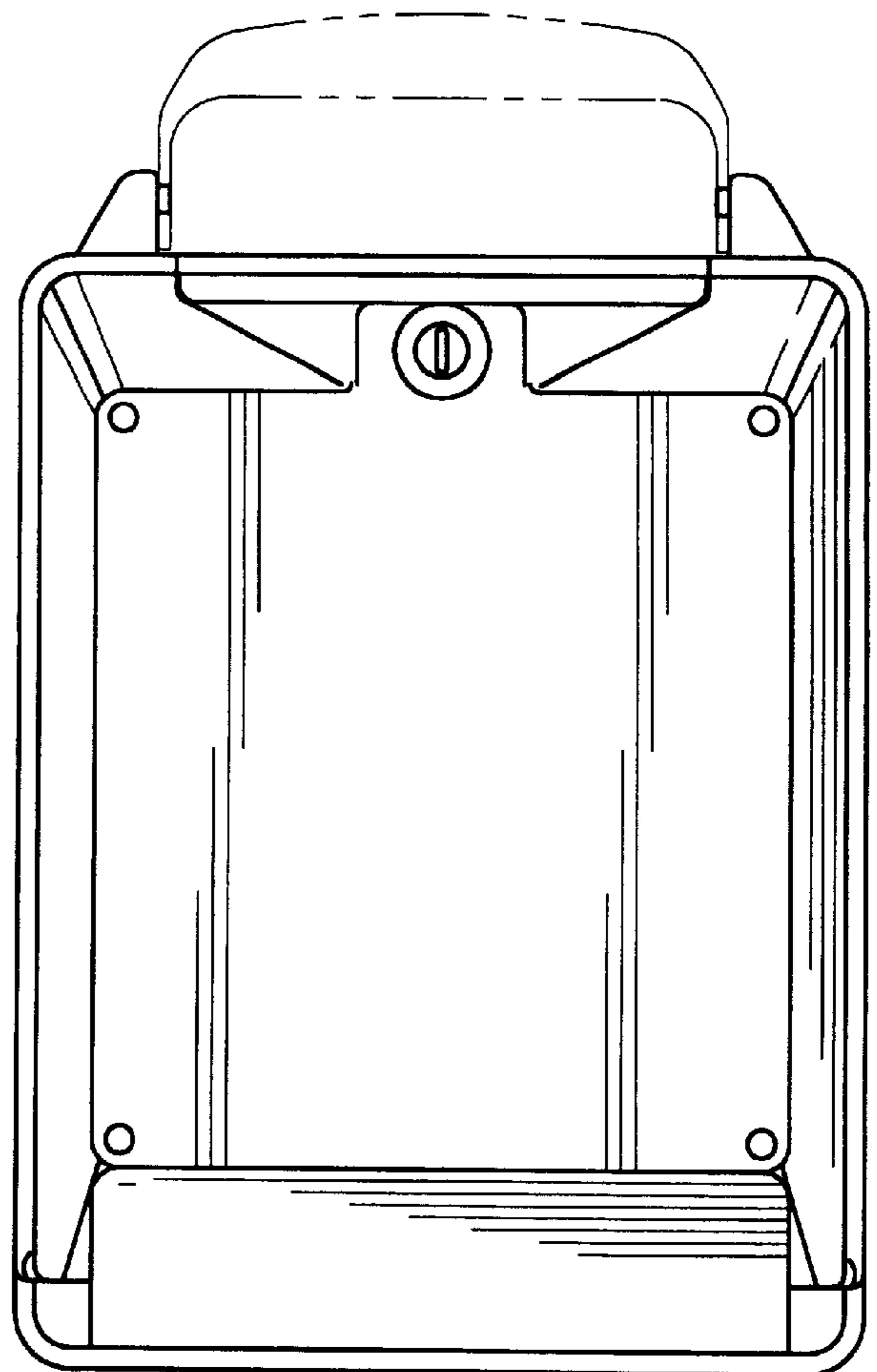


FIG.2

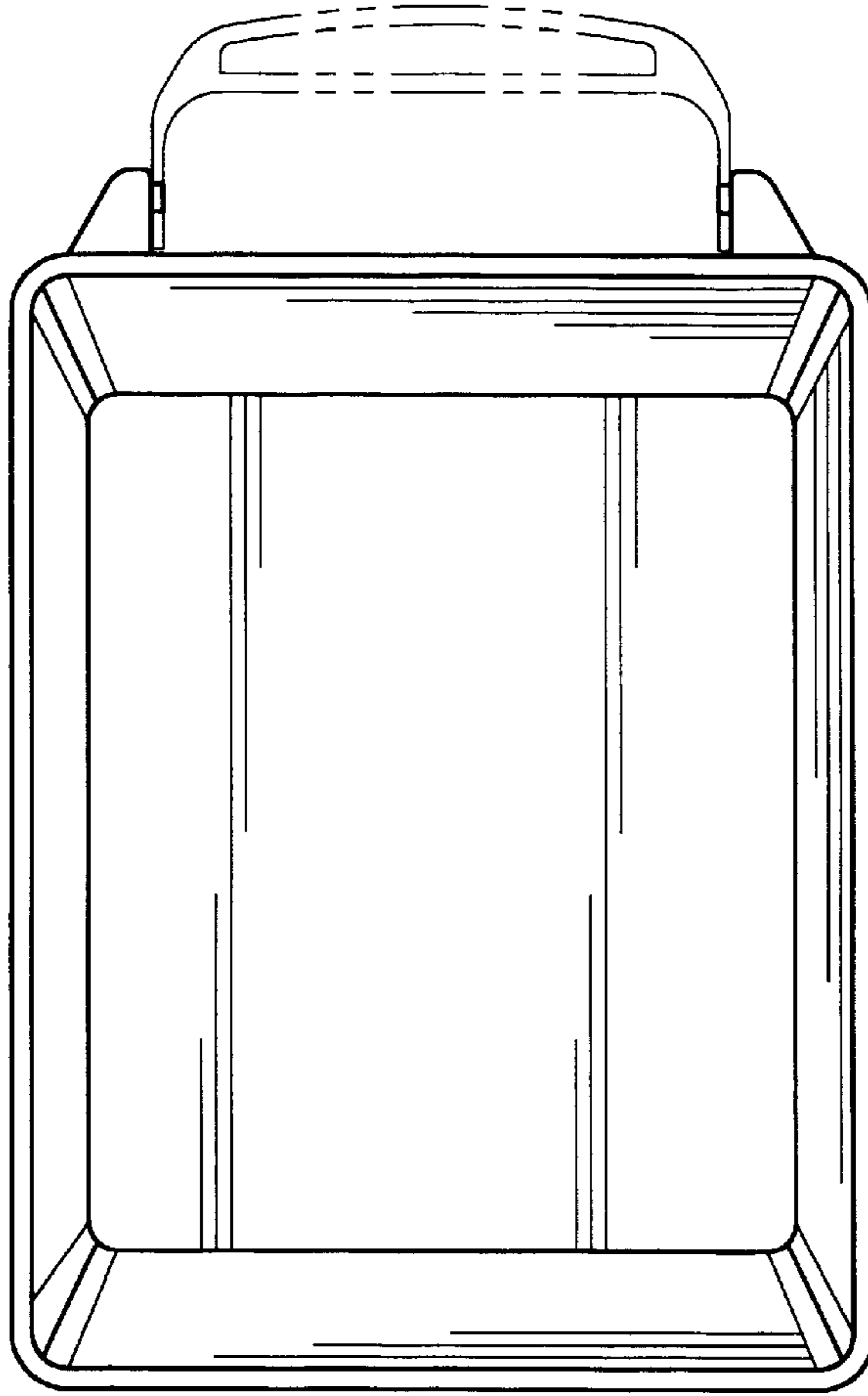


FIG. 5

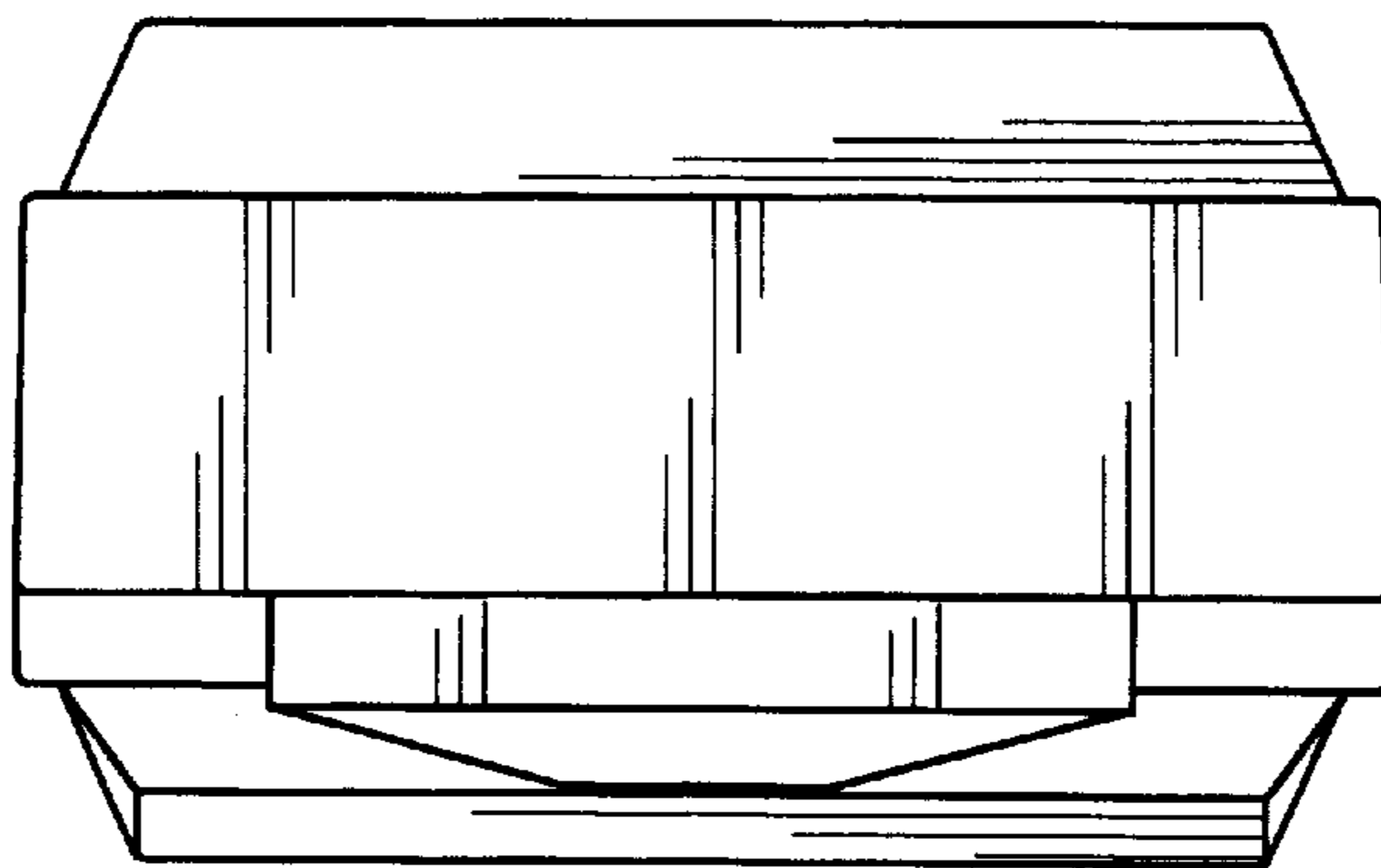


FIG. 6

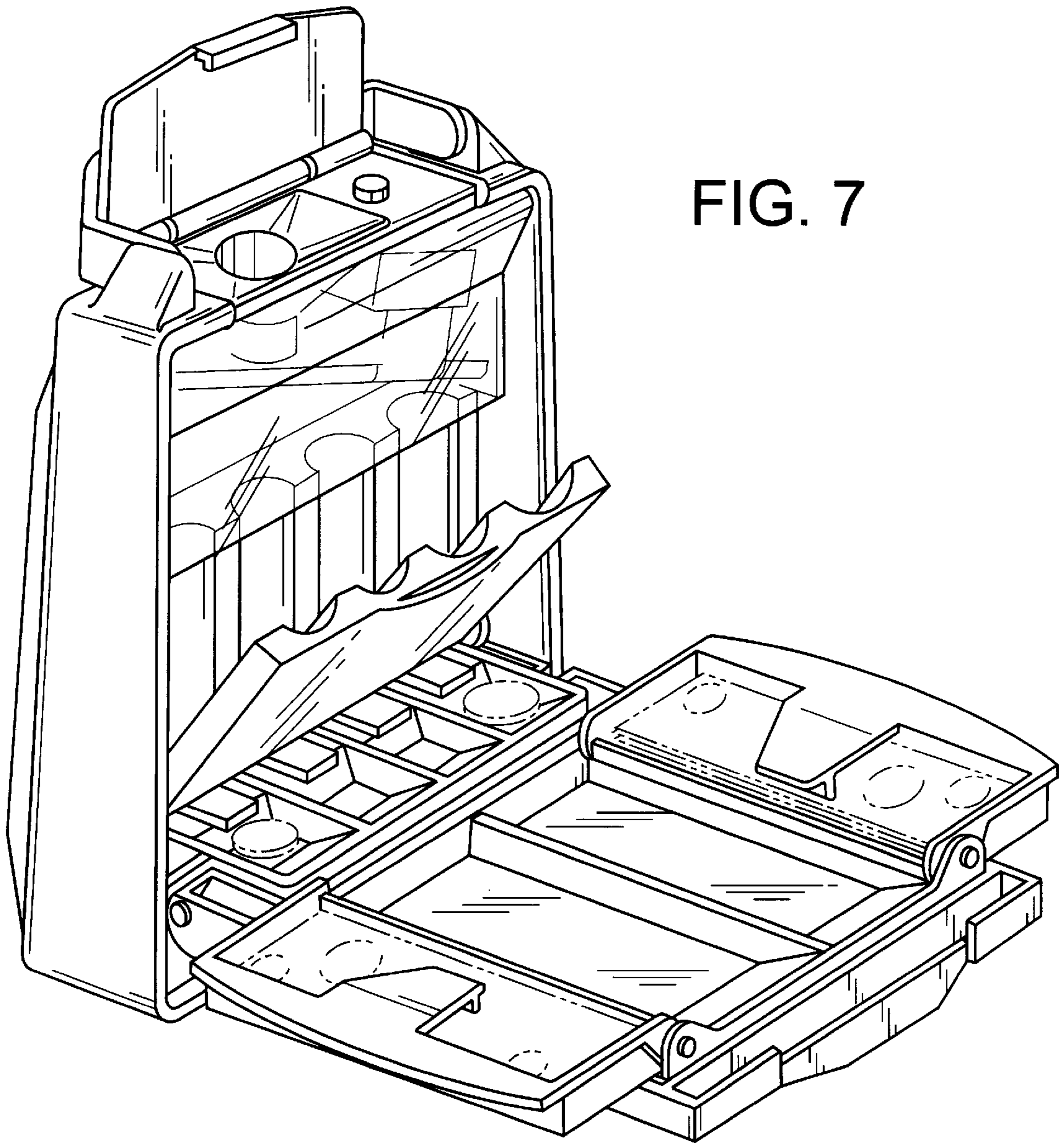


FIG. 7

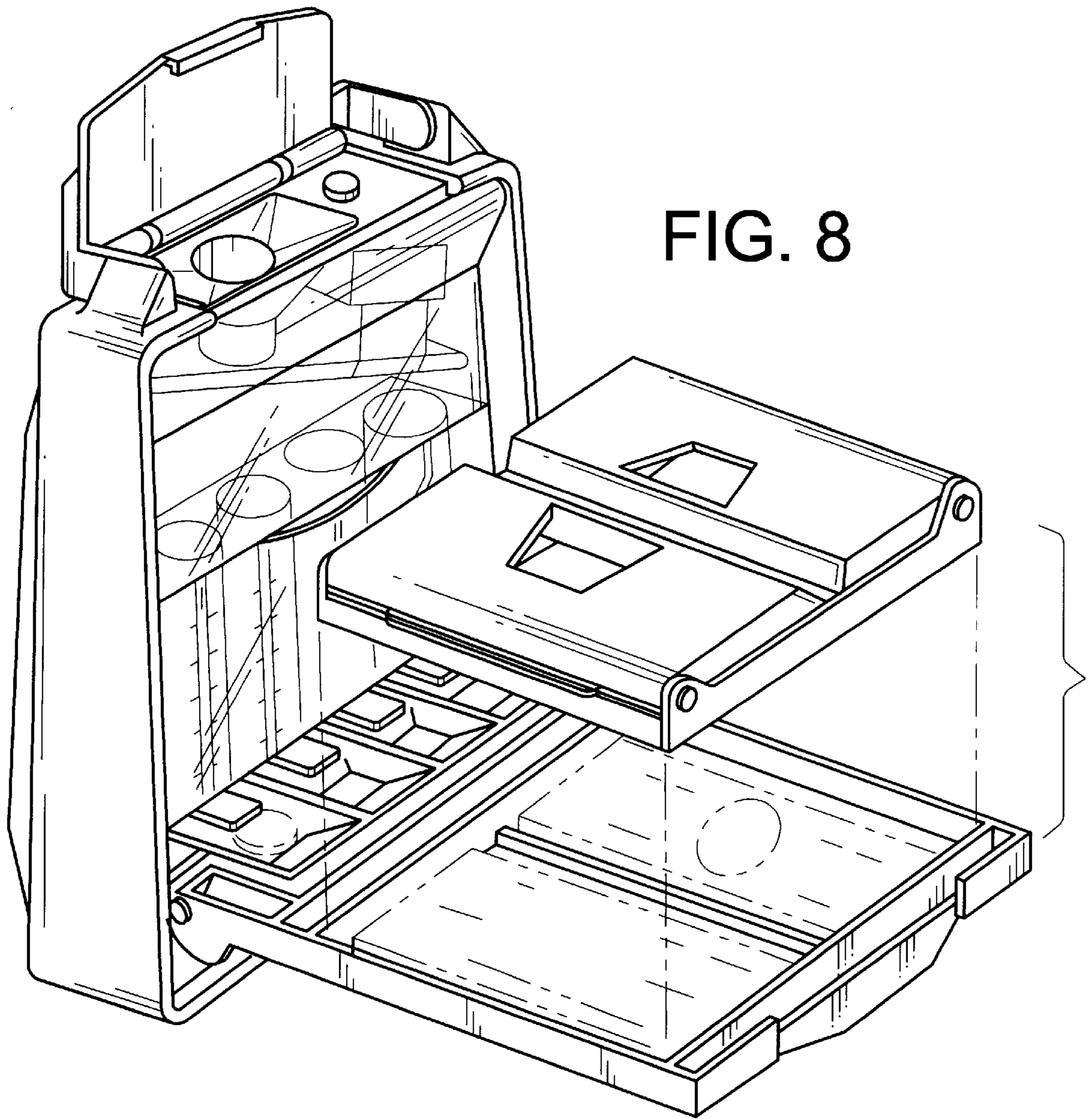


FIG. 8